

NOTICE

- * Please make sure that you have all parts indicated and they are in good condition before you begin assembly of this item. Refer to part list and hardware list below for guidance.
- * This item should be assembled on a soft surface to prevent scratching the finish during assembly.
- * This item may require periodic tightening.
- * If you are having difficulty, our friendly Customer Care team is always here to help.

PREPARATION

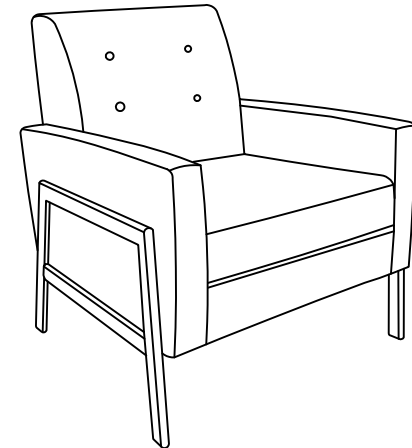
- * Before beginning assembly of product, make sure all parts are present. Compare parts with part contents list and hardware contents list.
- * If any part is missing or damaged, do not attempt to assemble the product.
- * Estimated Assembly Time: 30 minutes.
- * Tools Required for Assembly (included): Allen Key

CARE AND MAINTENANCE

INDOOR METAL/ALUMINUM FURNITURE: Wipe spills immediately. Maintain with regular dusting and clean with mild soap and water, dry thoroughly and do not use a brass cleaner. Adhesive felt pads should always be used/applied in order to prevent damage to the furniture or surfaces on which the furniture is placed.

UPHOLSTERY CARE: To prevent overall soiling, frequent vacuuming or light brushing is recommended. Cushions and pillows should be turned on a weekly basis. Down-filled cushions should be brushed rather than vacuumed. Spot clean, using a mild water-free solvent or dry cleaning product. Only a professional cleaner should undertake a complete overall cleaning. The use of steam or water-based cleaners may cause excessive shrinking or staining.

Product Dimensions: 29"W x 29"D x 33.5"H



Weight Capacity : 275 lbs
Warning : Do not stand on the product
Warning : Do not over torque bolts

Part List and Hardware List

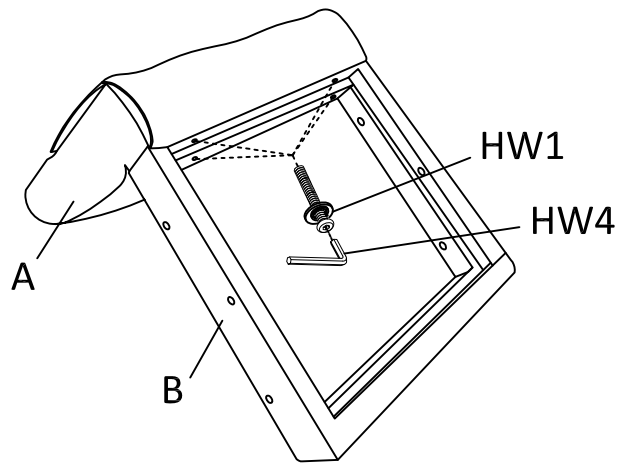
| PIECE | DESCRIPTION | PICTURE | QTY |
|-------|-------------------|---------|-----|
| A | Back Cushion | | 1x |
| B | Seat Frame | | 1x |
| C | Armrest(Left) | | 1x |
| D | Armrest(Right) | | 1x |
| E | Seat Cushion | | 1x |
| F | Connecting Bar | | 2x |
| G | Side Frame(Left) | | 1x |
| H | Side Frame(Right) | | 1x |

| PIECE | DESCRIPTION | PICTURE | QTY |
|-------|-----------------|----------------|-----|
| HW1 | Hex Socket Bolt | 5/16"-18x2.5" | 13x |
| HW2 | Hex Socket Bolt | 5/16"-18x4" | 2x |
| HW3 | Hex Socket Bolt | 1/4"-20x0.625" | 8x |
| HW4 | Allen Key | 4mm | 1x |

PREPARATION

- * Before beginning assembly of product, make sure all parts are present. Compare parts with part contents list and hardware contents list.
- * If any part is missing or damaged, do not attempt to assemble the product.
- * Estimated Assembly Time: 30 minutes.
- * Tools Required for Assembly (included): Allen Key
- * If you are having difficulty, our friendly Customer Care team is always here to help.

1

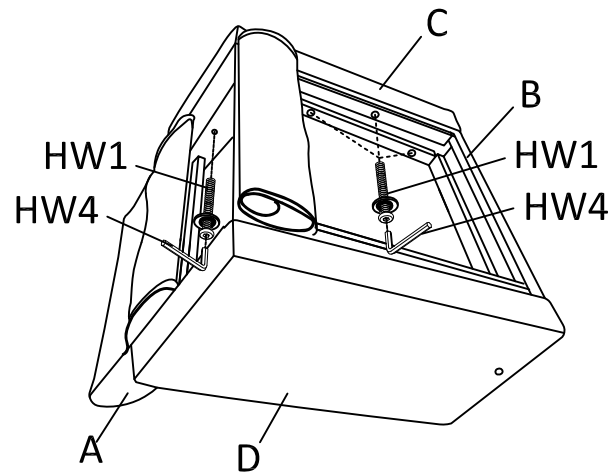


- Do not fully tighten the bolts until the product is assembled.

Step 1

Uncover Velcro on the non-woven fabric at the underneath of Seat Frame (B), Attach Seat Frame (B) to the Back Cushion (A), Using Allen key (HW4) to lock with 4*Hex Socket Bolt (HW1) into the seat frame to assembly with chair back.

2

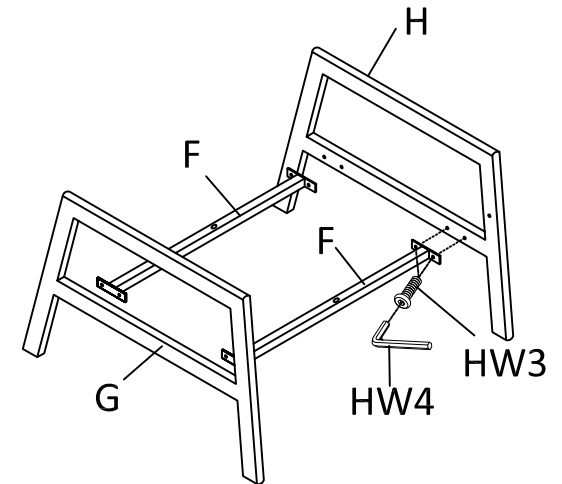


- Do not fully tighten the bolts until the product is assembled.

Step 2

Also uncover Velcro from the fabric on the lower back of Back cushion (A), Attach both Armrest (Left) & (Right) (C & D) to the Back cushion (A) / Seat frame (B) in the corresponding position, Using Allen key (HW4) to lock with 8*Hex Socket Bolt (HW1), Then cover the Velcro back and press tight, as picture.

3



- Do not fully tighten the bolts until the product is assembled.

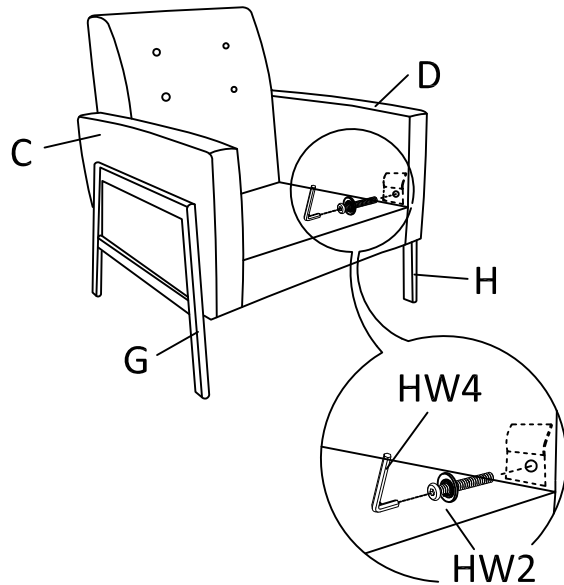
Step 3

Attach 2*Connecting Bar (F) with both Side Frame (Left) & (Right) (G & H), Using Allen key (HW4) to lock with 8*Hex Socket Bolt (HW3).

PREPARATION

- * Before beginning assembly of product, make sure all parts are present. Compare parts with part contents list and hardware contents list.
- * If any part is missing or damaged, do not attempt to assemble the product.
- * Estimated Assembly Time: 30 minutes.
- * Tools Required for Assembly (included): Allen Key
- * If you are having difficulty, our friendly Customer Care team is always here to help.

4

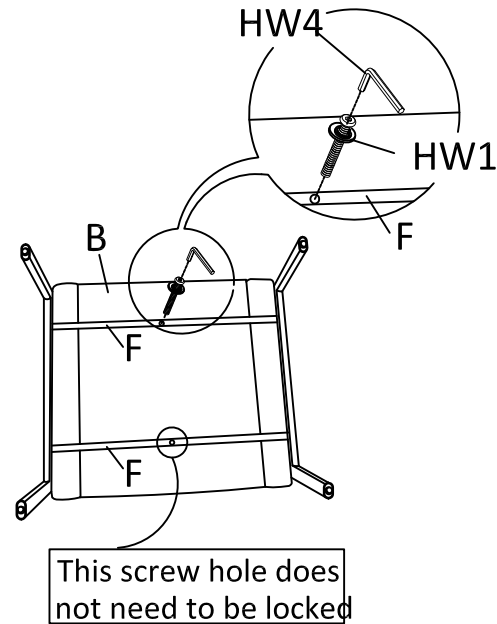


- Do not fully tighten the bolts until the product is assembled.

Step 4

Place the assembled upholster cushion on the assembled iron base, then uncover Velcro from the small piece fabric on inside of both Armrest (Left) & (Right) (C & D), Using Allen key (HW4) to lock with 2*Hex Socket Bolt (HW2) with the iron base. Then cover the Velcro back and press tight, as picture.

5

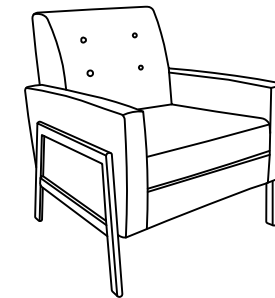
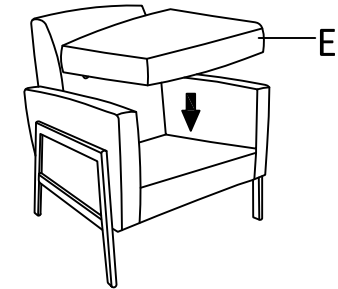


- Do not fully tighten the bolts until the product is assembled.

Step 5

Turn the product upside down, Using Allen key (HW4) and 1*Hex Socket Bolt (HW1) to lock the seat frame and the iron base.

6



- After properly adjusting the product level for stability, then fully tighten all bolts.

Step 6

Straighten up the assembled product, then place the Seat Cushion (E) on. Assembly is completed.