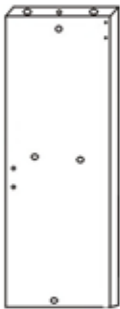
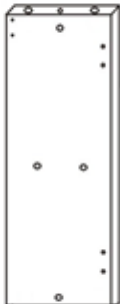





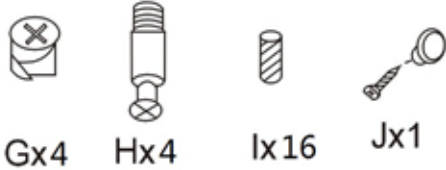




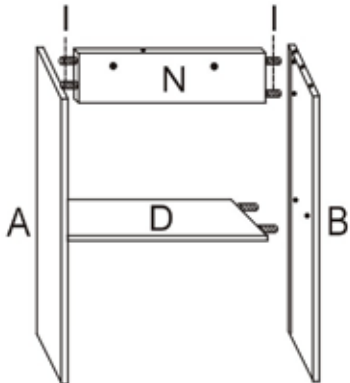
ASSEMBLY INSTRUCTION

<<Before assembling, read all the instruction>>

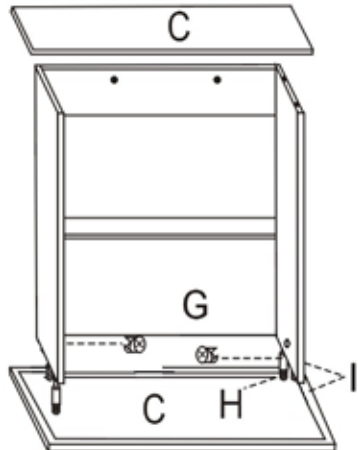
Components

 <p>Ax1</p>	 <p>Bx1</p>	 <p>Cx2</p>  <p>Dx1</p>	 <p>Ex1</p>  <p>Fx1</p>  <p>Nx1</p>	 <p>Gx4 Hx4 Ix16 Jx1</p>  <p>Kx2 Lx1 Mx1</p>  <p>Nx14 Ox2</p>
--	--	---	--	--

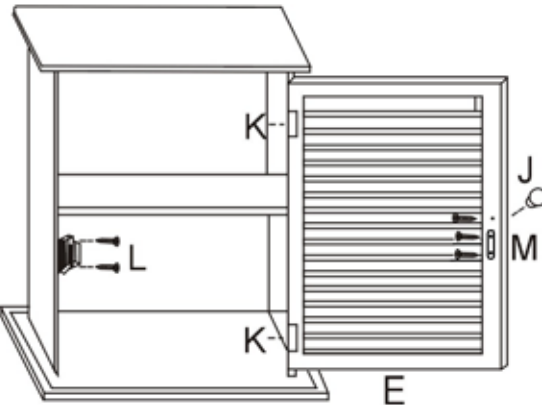
STEP1



STEP2



STEP3



STEP4

