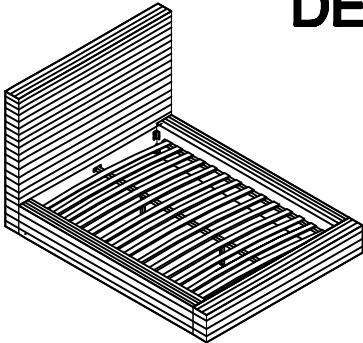


ASSEMBLY INSTRUCTIONS

DEXTER BED - TWIN

meridian.
furniture

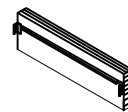
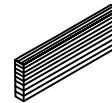
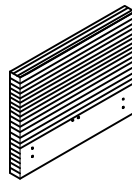


+ Parts Included

① Head Board
(1pc)

② Foot Board
(1pc)

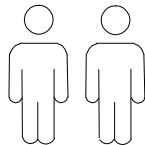
③ Side Rails
(2pcs)



+ Do Not Use
Power Tools



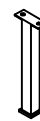
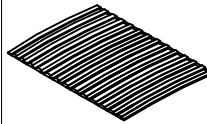
+ Suggested
Adults



④ Slats joint
(1set=13pcs)

⑤ Center Support
Bar(1pc)

⑥ Support
Legs(2pcs)



*Slats come packed
in the bottom of
headboard carton.

NOTE: For questions about parts or assembly please email support@meridianfurnitureusa.com or call us at 718-758-4455.

- 1 Read instructions cover to cover.
- 2 Save all packaging until assembly is completed.

1 IMPORTANT SAFETY INFORMATION

Do not assemble the product if any of the following parts arrived damaged:

- Part #③ -Side Rails
- Part #④ -Slats joint
- Part #⑤ -Center Support Bar
- Part #⑥ -Support Legs

2 IMPORTANT ASSEMBLY INFORMATION

Assembly Step ② Ensure the side rail bracket is fully hooked onto bolt A loosely threaded with both washers on the OUTSIDE of the bracket first, then proceed to fully tightening all 4 corners.

*Slats come packed in the bottom of headboard carton.

+ Hardware Included

A Bolt M8*30mm
(16pcs)

B Nut M8*13mm
(4pcs)

C Spanner
(1pc)



D Spring Washer
(8pcs)

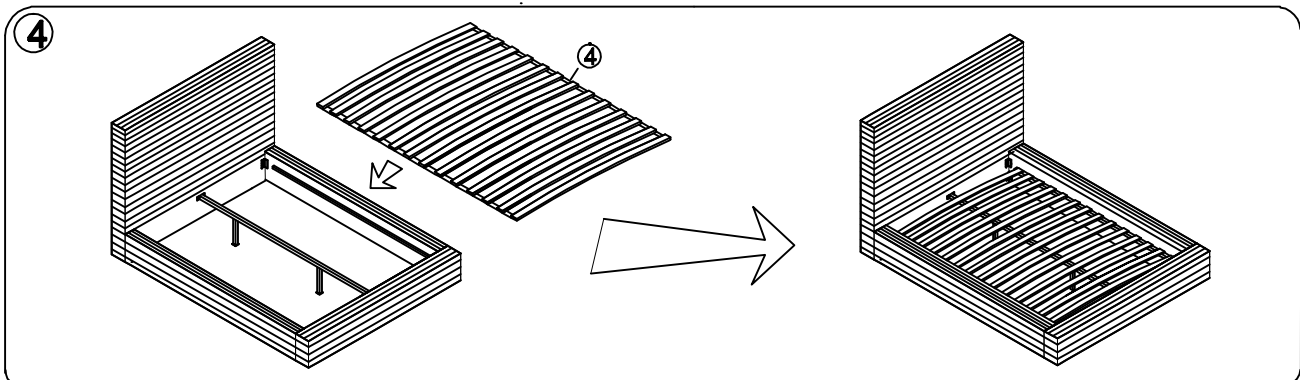
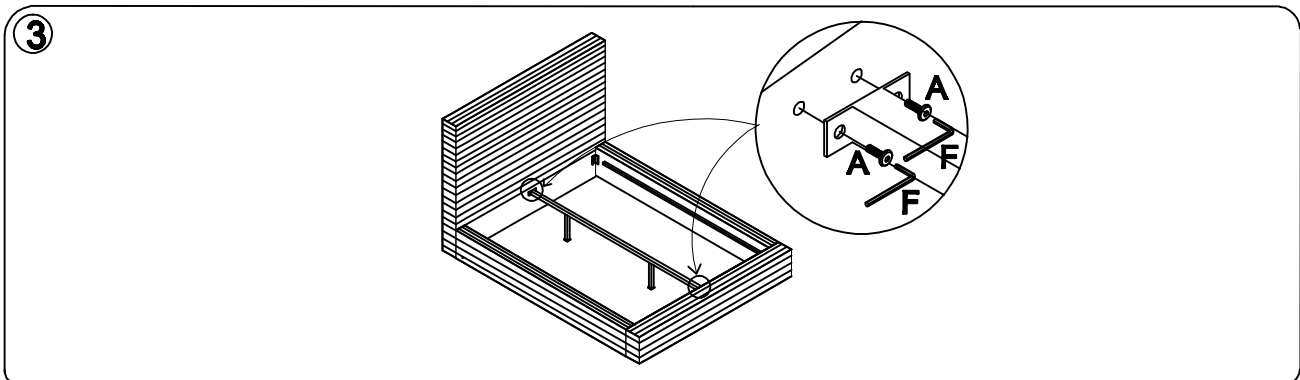
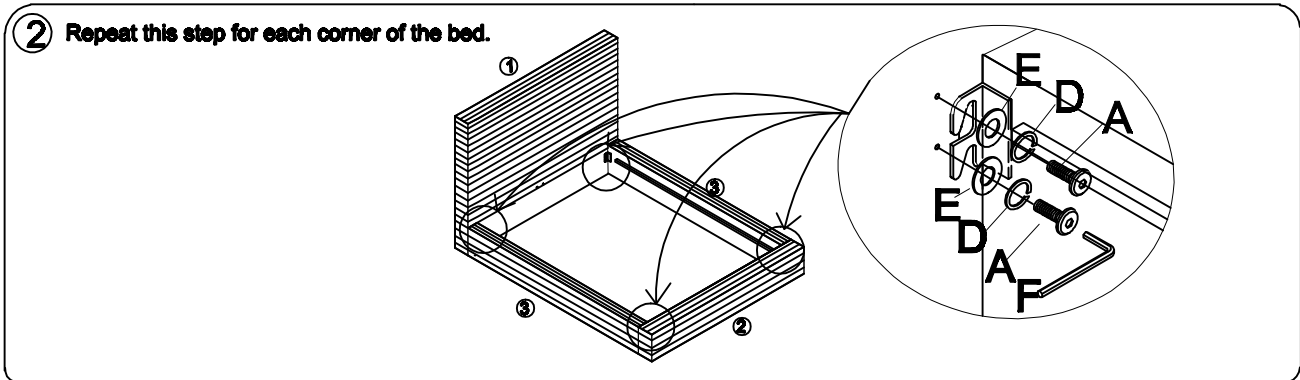
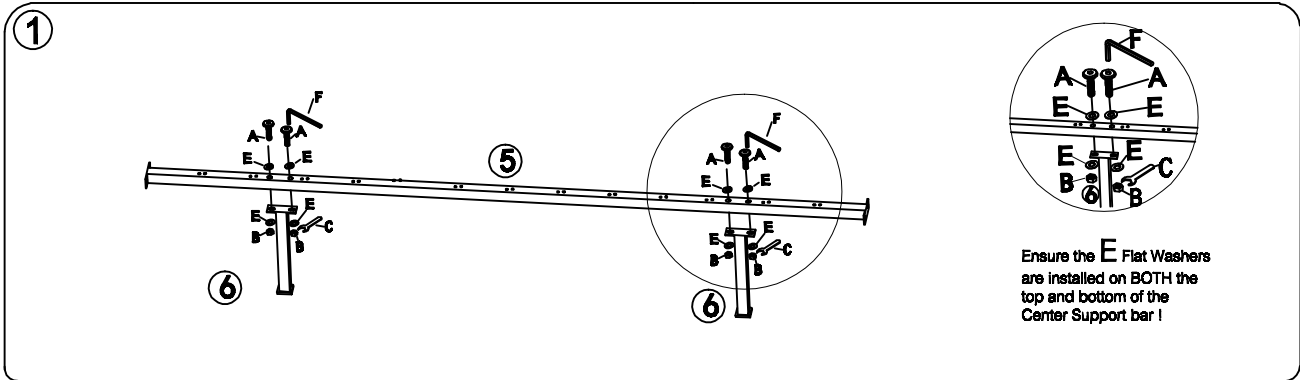
E Flat Washer
φ20(16pcs)

F M8 Allen Key
(1pc)



ASSEMBLY INSTRUCTIONS DEXTER BED - TWIN

meridian.
furniture



NOTE: For questions about parts or assembly please email support@meridianfurnitureusa.com or call us at 718-758-4455.
www.MeridianFurnitureUSA.com | support@meridianfurnitureusa.com