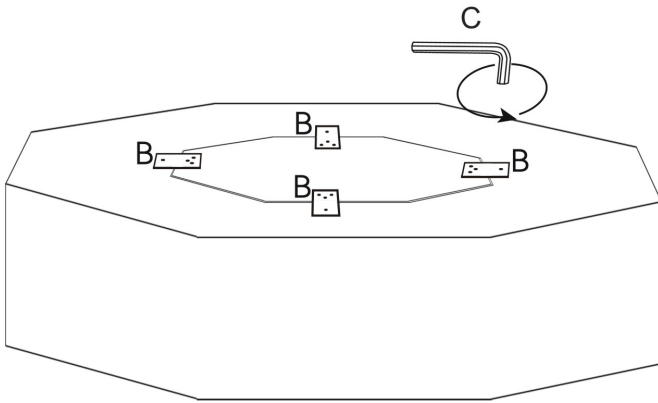
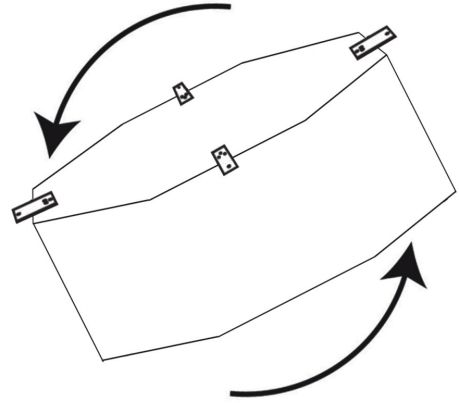


ASSEMBLY INSTRUCTIONS

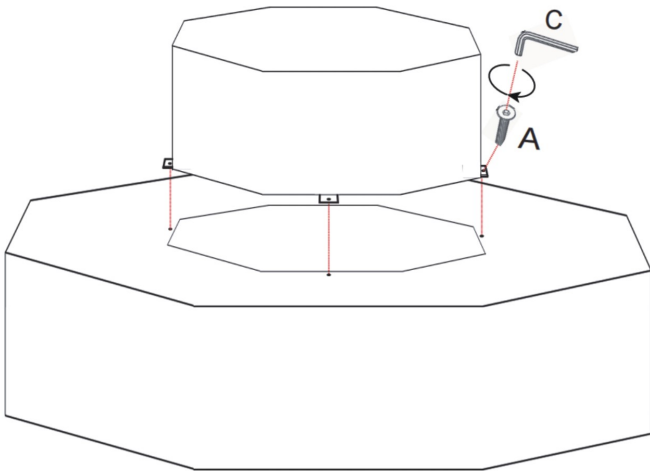
STEP 1



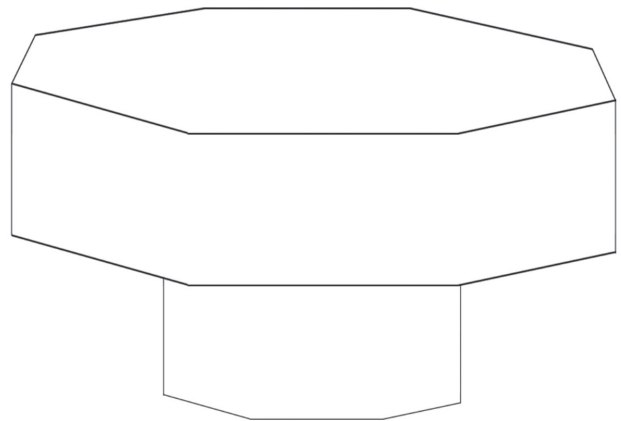
STEP 2



STEP 3



STEP 4



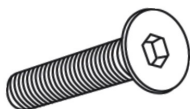
Step 1: Just only unscrew all the screws locked on the desktop part.

Step 2: Remember not to rotate the table legs when taking the legs out. Please put them upside down on the desktop directly. The screw holes of the table legs should correspond to the screw holes of the desktop.

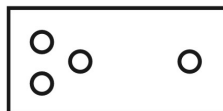
Step 3: Screw the screws into all the screw holes and tighten them.

Note: Use fittings according to the actual screw holes, extra fittings are spares.

A
16 pcs



B
4 pcs



C
1 pc

