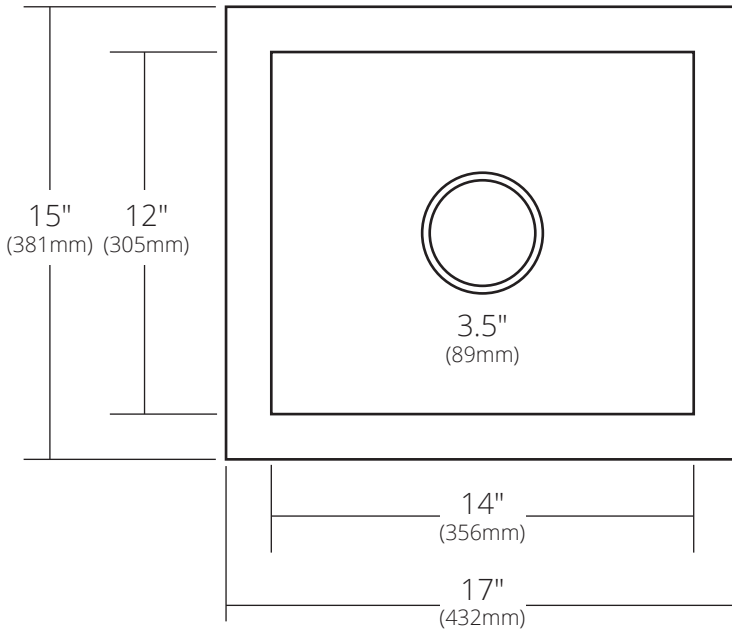


SPECIFICATIONS

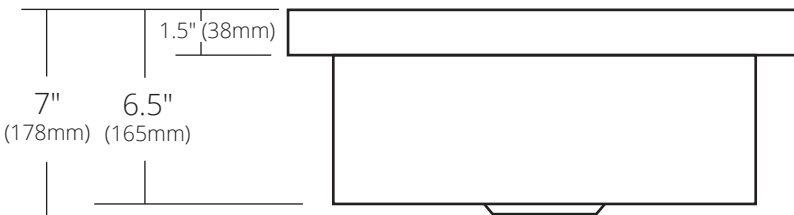
**MANHATTAN**



TOP VIEW



SIDE VIEW



CPS232 Antique  
CPS532 Brushed Nickel

**PRODUCT DETAILS**

- 17" x 15" x 7" OD (432mm x 381mm x 178mm)
- 14" x 12" x 6.5" ID (356mm x 305mm x 165mm)
- Hand hammered 16 gauge recycled copper
- 3.5" (89mm) drain opening

**INSTALLATION**

- Drop-In

**COORDINATING PRODUCTS**

- Drains: DR320 or DR340

**STANDARDS COMPLIANCE**

- UPC/cUPC compliant

**IMPORTANT**

Due to the handcrafted nature of this product, it will vary in finish, texture, hammering, and other details. Dimensions may vary up to 1/4" (6mm). We strongly recommend waiting for the actual product before making any installation cuts.