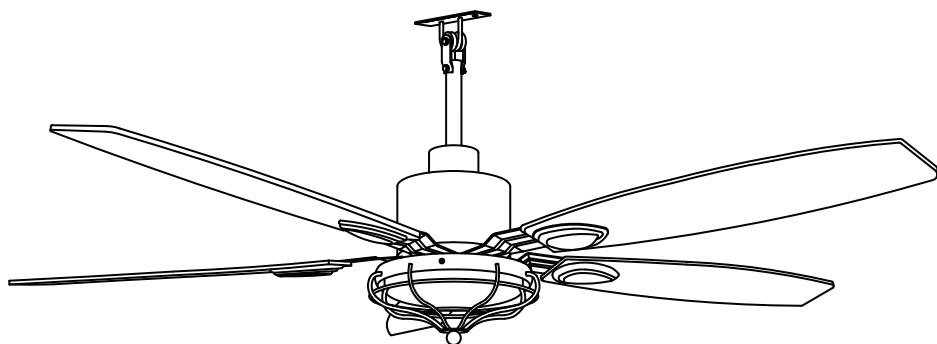


USER'S MANUAL



Warm Tips

1. About Light Memory: (Figure 1)
 - * Turn off light (plug off or remote controller)
 - * Turn on the light after 10s to remain last light setting.
2. Remote control code clearing method:
 - * Power on, press blue + yellow bulb button for 3s. (Light flashing + Buzzer sound)
3. The lighting kit is replaceable.

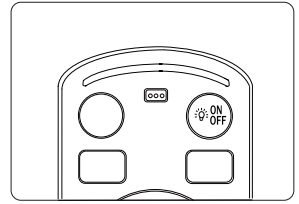


Figure 1

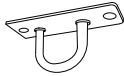
WARNING!!!

To avoid fire, shock and serious personal injury, follow these instructions.

1. Read your user manual and safety information before installing your new fan. Review the accompanying assembly diagrams.
2. Before servicing or cleaning the unit, switch off the power at the service panel and lock it to prevent accidental power restoration. If the service disconnecting means cannot be locked, securely fasten a warning device, such as a tag, to the service panel.
3. Exercise caution around the fan and its blades when clearing, repairing, or working near it. Always turn off the power to the ceiling fan before performing any maintenance
4. Do not insert anything into the fan blades while the fan is in operation.
5. This appliance is not intended for use by young children or individuals with disabilities without supervision. Young children should be supervised to ensure they do not play with the appliance.
6. Before installing your ceiling fan, refer to the section on the proper method of wiring your fan. If you feel you lack sufficient wiring knowledge or experience, it is recommended to have your fan installed by a licensed electrician.

Fan Components

NOTE: Place the parts from the loose parts bags in a small container to keep them from being lost. If any parts are missing contact us.



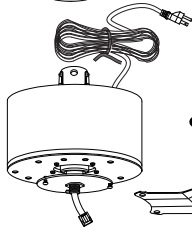
● — Mounting Bracket (1)



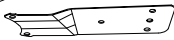
● — Downrods (2)



● — Coupling Cover (1)



● — Fan Motor Host (1)



● — Blade Arm (5)



● — Fan Blade (5)



● — Blade Decorative Part (5)



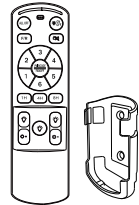
● — Lamp Body (1)



● — Lampshade (1)



● — Frame Part (1)



Remote Controller

5 (a)



Zip ties

1 (b)



Hook

2+1 (c)



Balance kit

2 (d)



Washers

2 (e)



Expansion screw

3 (f)



Plastic expansion tube

2 (g)



Self-tapping screw

15+1Spare (h)



Blade screw

10+1Spare (i)



Arm screw

15+1Spare (j)



Red washer

Energy-Saving Usage

Ceiling fan performance and energy savings rely heavily on the proper installation and use of the ceiling fan. Here are a few tips to ensure efficient product performance.

Choosing the Appropriate Mounting Location

Ceiling fans should be installed or mounted in the middle of the room and positioned at least 7 feet above the floor and 18 inches away from the walls.

If the ceiling height allows, it is recommended to install the fan 7~9 feet above the floor to achieve optimal airflow.

Turn Off When Not in the Room

If the room is unoccupied, turn off the ceiling fan to conserve energy.

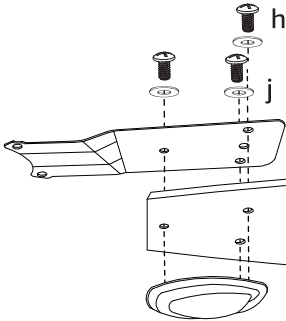
Using the Ceiling Fan Year Round

Summer Season: Use the ceiling fan in the counterclockwise direction. The airflow created by the ceiling fan produces a wind-chill effect, making you feel cooler. Select a fan speed that provides a comfortable breeze; lower speeds consume less energy.

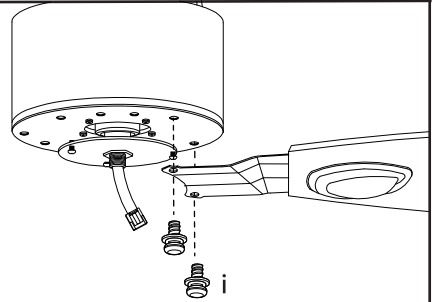
Winter Season: Reverse the motor and operate the ceiling fan at a low speed in the clockwise direction. This produces a gentle updraft, which pushes the warm air near the ceiling down into the occupied space. Remember to adjust your thermostat when using your ceiling fan. This simple step can lead to additional energy and cost savings.

Installation

1

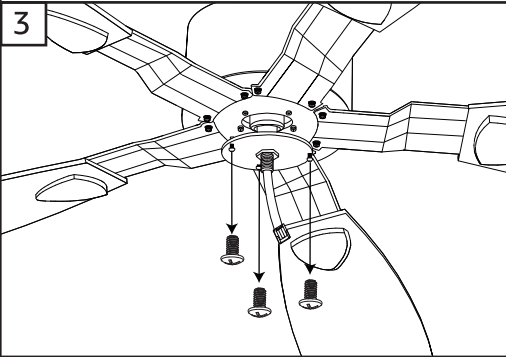


2

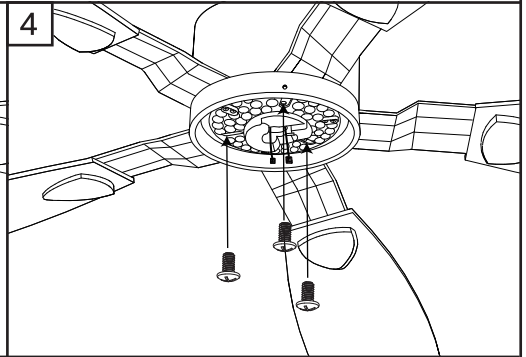


- Attach the blade decorative part to the fan blade, then secure the blade arms (with 'UP' side facing up) using 3 screws and washers. (Repeat this step to assemble the remaining fan blades.)
- Secure the blade arms assembled in step 1 to the fan motor host. (Repeat this step for the remaining fan blades installation.)

3

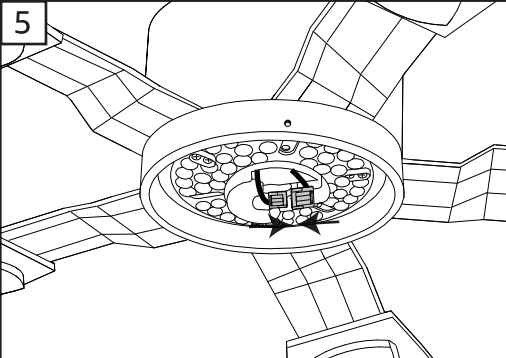


4

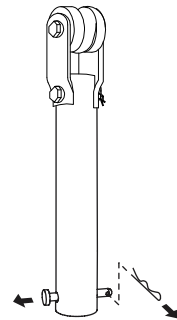


- Remove three screws from the circular plate on the fan motor main unit.
- Mount the light body onto the main unit, secure it with the screws from Step 3, and then route the light wires through it.

5



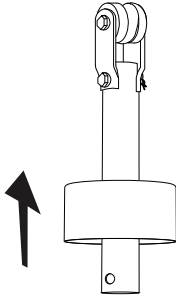
6



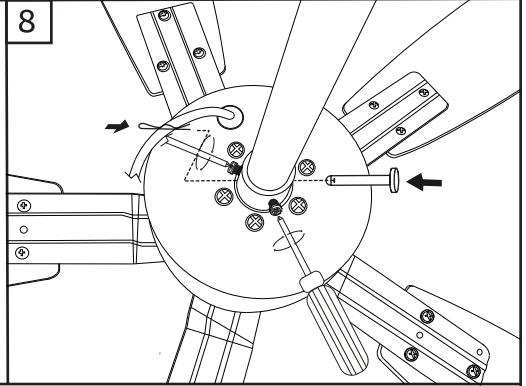
- Align and connect the terminals on the fan motor host with the terminals on the lamp body.
- Remove the downrod pin from the downrod assembly.

Installation

7

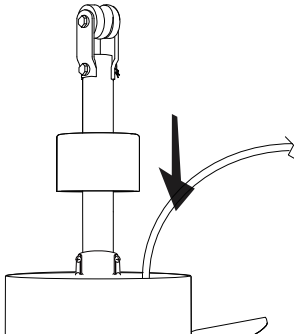


8

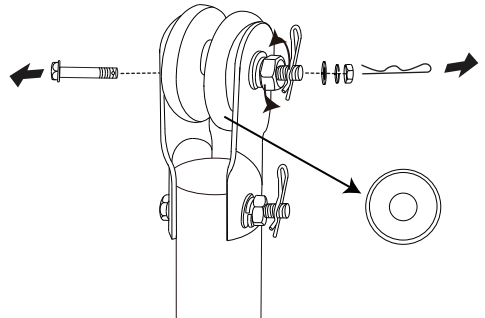


- Install the coupling cover onto the downrod.
- Insert the downrod into the motor housing and secure it with the downrod pin. Then, tighten the two screws on the bracket.

9

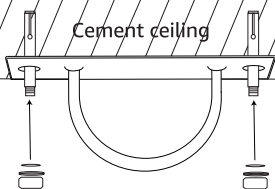


10

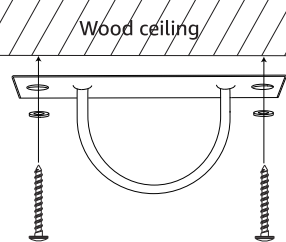


- Move the coupling cover downward.
- Remove the R-clip, nut (loosened), washer, and pin, then take out the rubber wheel.

11



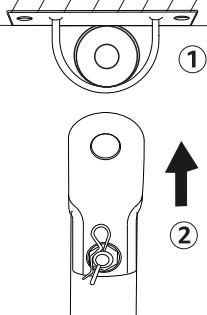
12



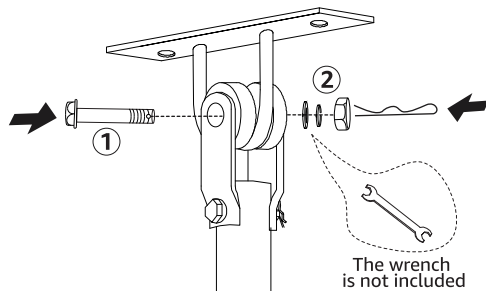
- Drill a hole on the cement ceiling, then use expansion screws to secure.
- Use self-tapping screws to drive into the wooden ceiling.

Installation

13

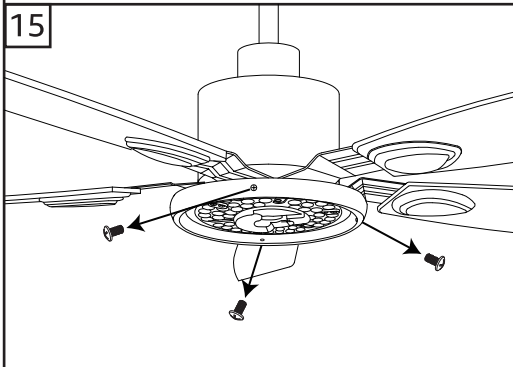


14

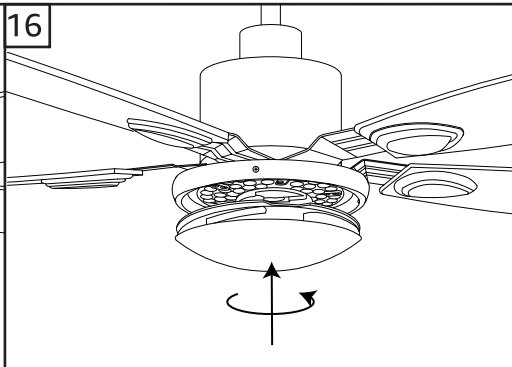


- First install the rubber wheel onto the mount bracket, then install the pre-assembled downrod onto the mounting bracket referring to the diagram.
- Install the pin, washer, and nut in sequence (tighten the nuts with a wrench), and secure them with an R-clip. (**Note: Please use a wrench to fully tighten both nuts.**)

15

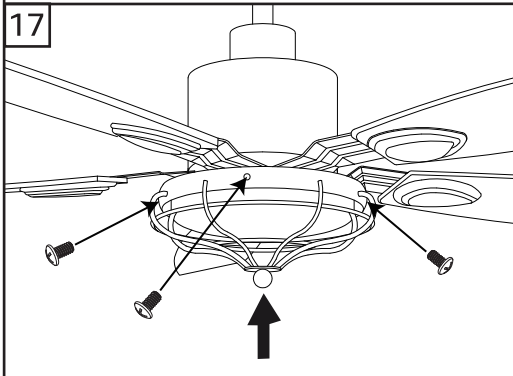


16

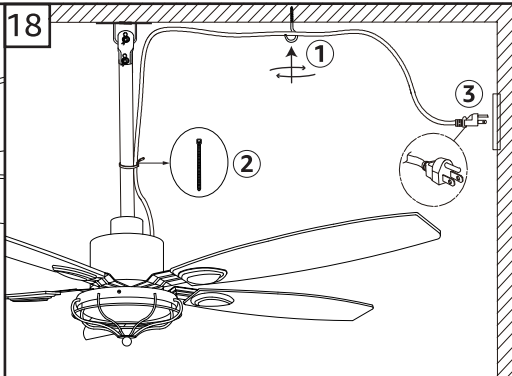


- Remove the three screws on the side of the lamp body.
- Locate the locking point and screw the lampshade into place by turning it upward.

17

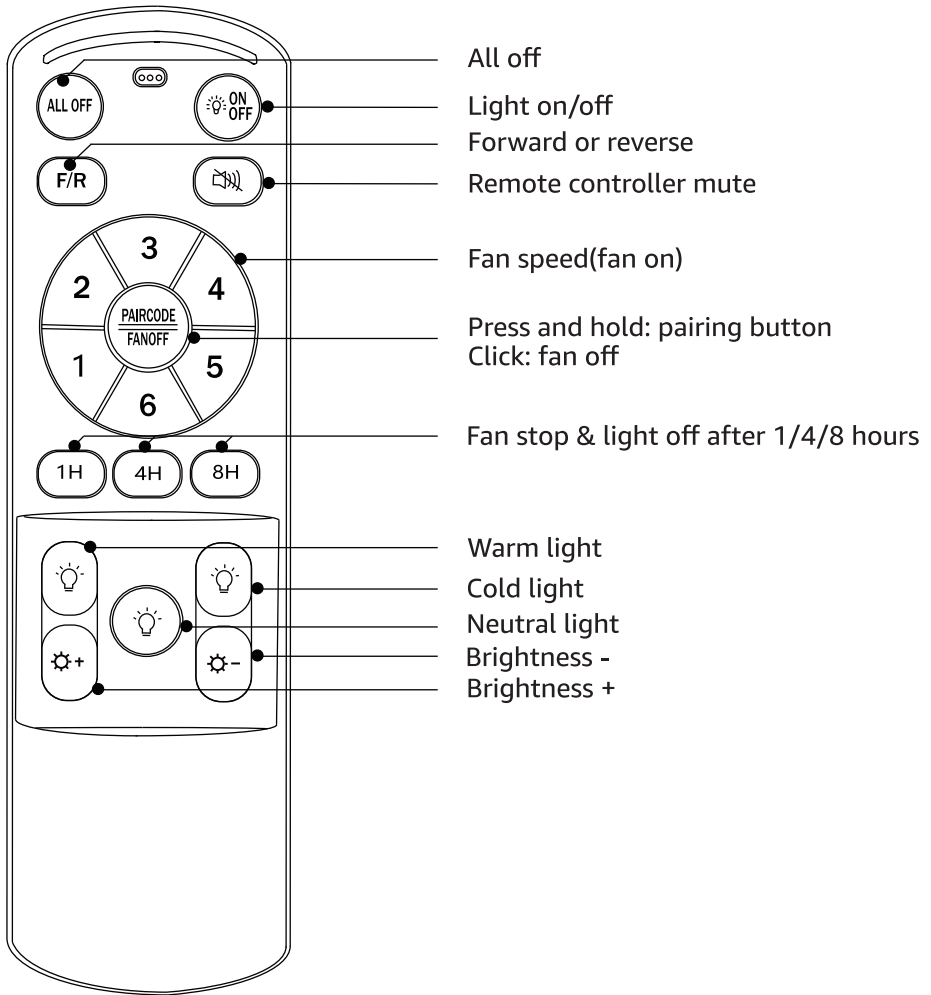


18




- Use the screws from step 15 to secure the frame part to the lamp body.
- After installing the ceiling hook, bundle and secure the excess power cord with zip ties. Once the power is connected, the fan can be operated via the remote controller.

Remote Control



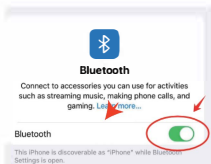
To operate the fan, please install 2 AAA batteries (included) in the handheld remote transmitter. If not used for extended periods of time, remove the batteries to prevent damage to the transmitter. Store the remote away from excessive temperatures and humidity.

Pairing method: (single/multiple fans)

1. For the ceiling fan you want to pair, turn the main power switch off for at least 60 seconds.
2. Turn on the main power wall switch of the ceiling fan, then press and hold the  button within 3s. The light flashes, indicating that the pairing is successful.
3. The pairing process is completed. If the pairing process is unsuccessful, repeat above steps after turning off wall switch 1 minute.

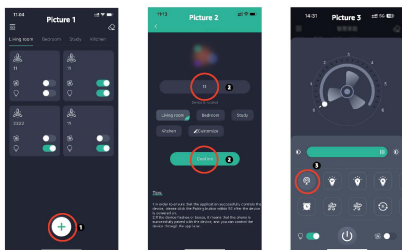
APP Control

NOTE: Please enable Bluetooth and pair the fan with app to control it!



1. Ensure Bluetooth is enabled on your mobile device.

2. Make sure you allow this app to access Bluetooth. (For iPhone users, Android users can ignore this step.)
 Method 1: Click "Allow" when opening the app for the first time.
 Method 2: Go to your phone's settings, find the app, and enable Bluetooth access.



Picture 1

3. Enter the app page and click the plus sign below (Add group).

Picture 2

4. Enter any name, then click Confirm.

Picture 3

5. Turn on the fan's power wall switch, once the light is on, press the pairing button within 5s. The fan light will flash twice to indicate successful pairing.

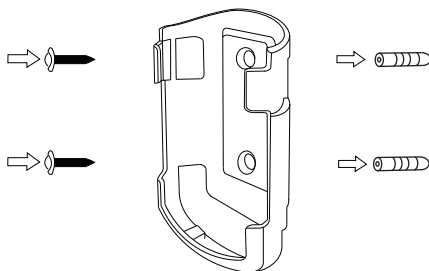
	Turn on the fan's power wall switch, once the light is on, press the pairing button within 5s. When the fan light flashes twice, it indicates that the fan has been successfully paired with the phone and can now be controlled through the phone.
	Slide to change the fan speed
	Slide to change the brightness of the light
	Quick switch for "Natural" light color
	Quick switch for "Yellow" light color
	Quick switch for "White" light color
	Not available for this model
	Timer the fan
	Natural wind: fan speed will change automatically when use this function
	Sleeping wind
	Night light (10% brightness in neutral white)
	Not available for this model
	Fan moves forwards
	Fan moves reversely
	Oscillating Funtion (Not available for this model)
	Light off/on
	Fan off/on

Troubleshooting

PROBLEM	SUGGESTED REMEDY
If Fan Does Not Start	<ol style="list-style-type: none">1. Check if the remote controller is paired and battery is working.2. Check the outlet is in good condition.
If Fan Sounds Noisy	<ol style="list-style-type: none">1. Make sure all screws in the yoke are snug.2. Allow a "break-in" period of 24 hours. Most noises associated with a new fan will disappear after this period.3. Check if the fan blades are in contact with the something.
If Fan Wobbles	<ol style="list-style-type: none">1. Make sure that hook is scured.2. Make sure all screws in the yoke are snug.
If Light Does Not Work	<ol style="list-style-type: none">1. Check for loose wiring of the LED board.
Remote Does Not Work	<ol style="list-style-type: none">1. Battery out of power or not installed correctly; change new AAA battery and ensure well installed.2. Remote pairing, please refer to page 7.

Installing Wall Plate

Attach wall plate using the two provided screws.



Customer Service

30-Days Full Refund Guarantee

If you are not completely satisfied or the item isn't what you expected, just tell us within 30 days. We will give you a full refund unconditionally.

Friendly Reminder

It's better to contact us than leaving a negative shopping experience. Nothing is more important than your satisfaction, and we will do our best to serve you.

Quick Response within 12 Hours

You can contact us without any hesitation at any time of the day, and we will reply to you within 12 hours. (It would be appreciated if you could provide us with a video or pictures, if available)

2-year Warranty

Your fan light comes with a two-year warranty. If a malfunction occurs due to product quality issues, we will assist in diagnosing the problem and provide replacement parts free of charge to ensure your fan light resumes normal operation.