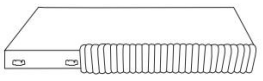
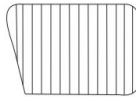
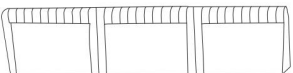
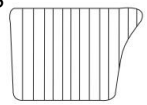
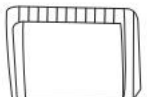








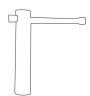
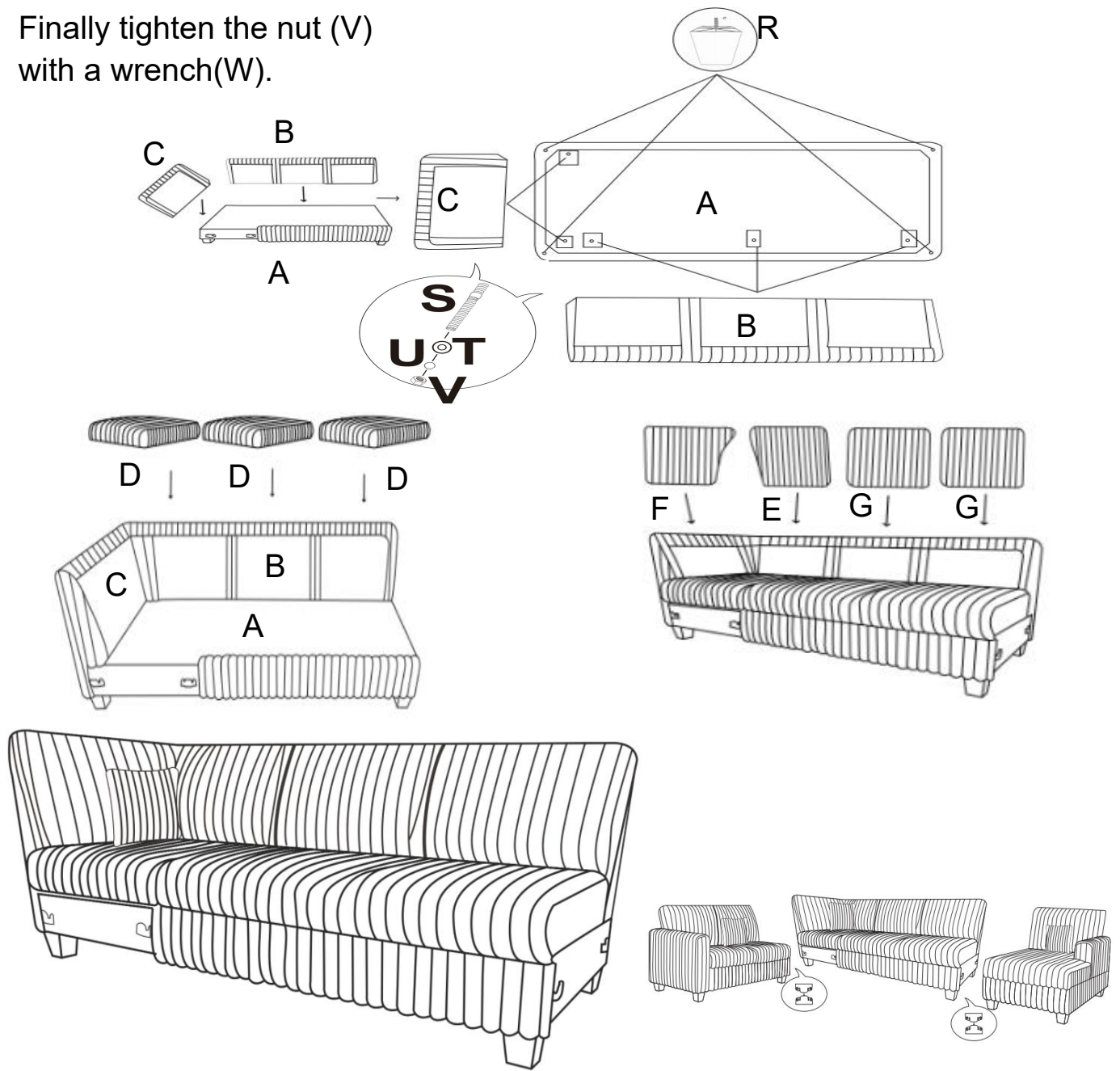


ASSEMBLY INSTRUCTIONS

ITEM# BENTLEY-S

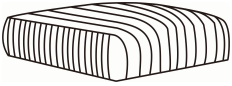

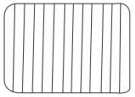
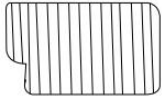
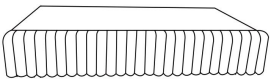

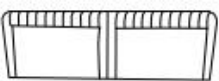





<p>A*1 SOFA BASE</p> 	<p>E*1 SOFA RIGHT BACK CUSHIONS</p> 
<p>B*1 SOFA BACK FRAME 1</p> 	<p>F*1 SOFA LEFT BACK CUSHIONS</p> 
<p>C*1 SOFA BACK FRAME 2</p> 	<p>G*2 BACK CUSHIONS</p> 
<p>D*3 SEAT CUSHIONS</p> 	<p>Q1 PILLOW</p> 
<p>HARDWARE PACKAGE</p>	
<p>R*4 LEG</p> 	<p>U*5 SPACER M8</p> 
<p>S*5 BOLT M8</p> 	<p>V*5 NUT M8</p> 
<p>T*5 SPACER M8</p> 	<p>W*1 WRENCH</p> 

Finally tighten the nut (V) with a wrench(W).

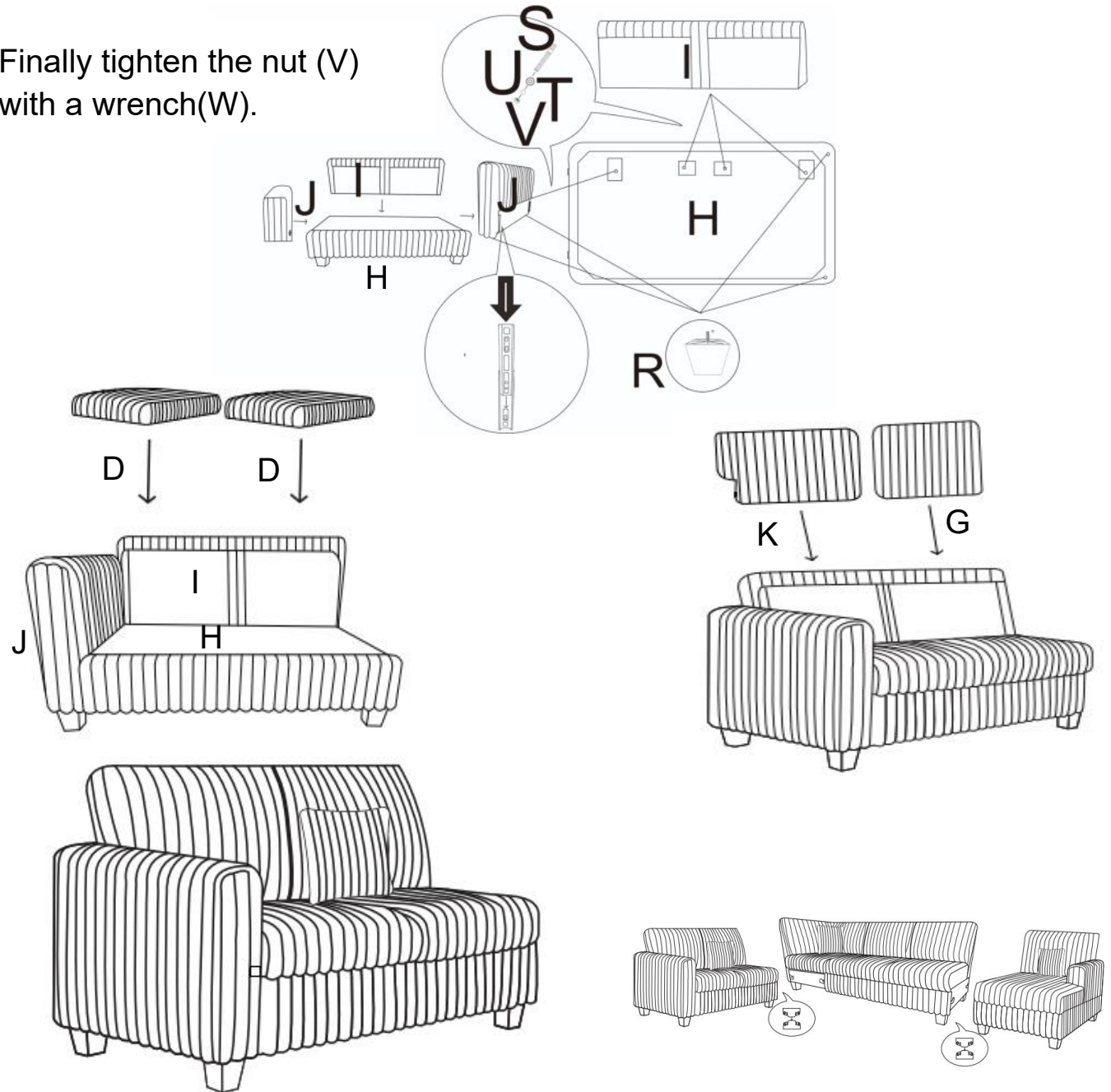


ASSEMBLY INSTRUCTIONS

ITEM# BENTLEY-LAF-L

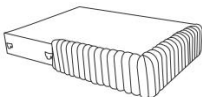
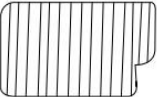
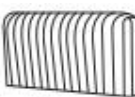
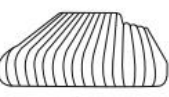
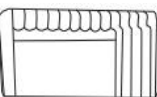
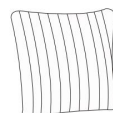





<p>D*2 SEAT CUSHIONS</p> 	<p>J*1 LOVE ARM</p> 
<p>G*1 BACK CUSHION</p> 	<p>K*1 LOVE BACK CUSHION</p> 
<p>H*1 LOVE BASE</p> 	<p>Q1 PILLOW</p> 
<p>I*1 LOVE BACK FRAME</p> 	<p>REMARK:PLS NOTE PART# G*1&I*1&J*1 &K*1 ARE INSIDE OF RAF CHAISE CARTON.</p>
<p>HARDWARE PACKAGE</p>	
<p>R*4 LEG</p> 	<p>U*4 SPACER M8</p> 
<p>S*4 BOLT M8</p> 	<p>V*4 NUT M8</p> 
<p>T*4 SPACER M8</p> 	

Finally tighten the nut (V)
with a wrench(W).



ASSEMBLY INSTRUCTIONS

ITEM# BENTLEY-RAF-CH

L*1 CHAISE BASE 	O*1 CHAISE BACK CUSHION 
M*1 CHAISE ARM 	P*1 CHAISE SEAT CUSHION 
N*1 CHAISE BACK FRAME 	Q1 PILLOW 
REMARK:PLS NOTE PART# P*1 CHAISE SEAT CUSHION IS INSIDE OF LAF LOVESEAT CARTON.	
HARDWARE PACKAGE	
R*4 LEG 	U*4 SPACER M8 
S*4 BOLT M8 	V*4 NUT M8 
T*4 SPACER M8 	

Finally tighten the nut (V) with a wrench(W).

