

# FASHION BED GROUP®

A *Lovett & Platt* COMPANY

6755 W. 65th Street Bedford Park, IL 60638

## Parts List For Benson

### HEADBOARD CARTONS

#### GRILL BOX

(1) HEADBOARD GRILL (1)

#### PART #397603 HARDWARE BAG FOR HBBB FRAME ATTACHMENT

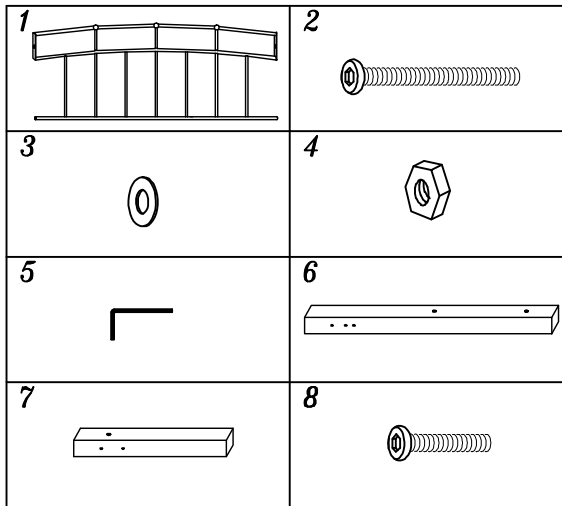
(2) 6MM X 80MM FLAT ALLEN HEAD SCREW-4  
(3) 6MM ID FLAT METAL WASHER-8  
(4) 6MM HEX NUT-4  
(5) ALLEN WRENCH-1

#### POST BOX

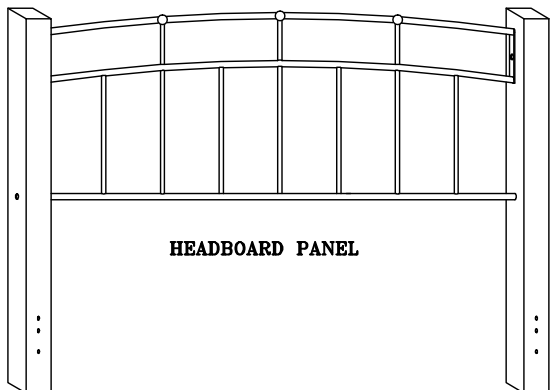
(6) HEADBOARD POST-2

#### PART #397604 HARDWARE BAG FOR HBBB GRILL ASSEMBLY

(2) 6MM X 80MM FLAT ALLEN HEAD SCREW-2  
(8) 6MM X 20MM FLAT ALLEN HEAD SCREW-2  
(5) ALLEN WRENCH-1



## PRODUCT FULLY ASSEMBLED



FOR ASSISTANCE IN ASSEMBLY ONLY OF THIS PRODUCT. CALL OUR HELP DESK AT 1-800-324-3415, BETWEEN 8:30 AM & 4:30 PM CENTRAL TIME MONDAY THRU FRIDAY. PLEASE HAVE THE STYLE NUMBER AVAILABLE BEFORE YOU CALL. (STYLE # OR NAME CAN BE FOUND ON PACKING CARTON OR SALES RECEIPT.) OUR PRODUCT IS INSPECTED TO ENSURE IT IS IN GOOD CONDITION. IF YOUR FURNITURE APPEARS TO HAVE BEEN DAMAGED IN SHIPMENT OR YOU ARE IN NEED OF REPLACEMENT PARTS PLEASE CONTACT THE DEALER FROM WHOM YOU PURCHASED THE PRODUCT.

# Instruction Sheet

SAVE ALL PACKAGING MATERIALS UNTIL PRODUCT IS FULLY ASSEMBLED. HARDWARE AND SMALL PIECES MAY NOT BE SEEN AND BE ACCIDENTALLY DISCARDED WITH PACKAGING MATERIALS.

FIGURE 1

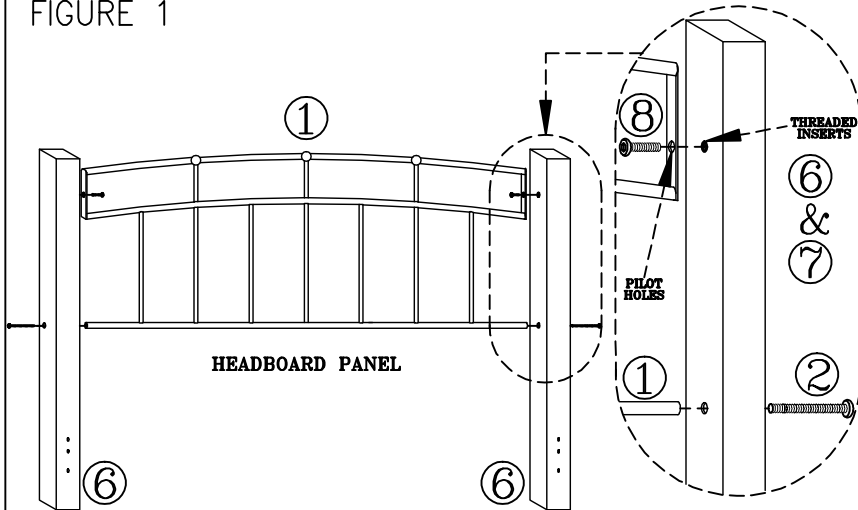
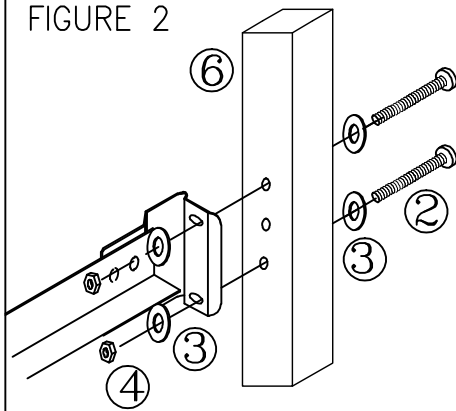


FIGURE 2



## Step 1- Assembly of Headboard and Footboard Grills.

- Align pilot holes on headboard grill (1) with threaded inserts on headboard post (6). SEE FIGURE 1
- Secure headboard grill (1) to headboard post (6) with screw (2 & 8). Use Allen wrench (5) to tighten.
- Repeat same steps with footboard panel (1) and footboard post (7).

## Step 2- Assembly of Headboard Panel to Frame.

- Place headboard panel and frame in desired location in room.
- Place flat metal washer (3) over screw (2). SEE FIGURE 2
- Insert screw (2) through holes located in post (6).
- Align bed frame over screw (2).
- Place flat metal washer (3) first and then a hex nut (4) on each screw (2). DO NOT TIGHTEN SCREWS COMPLETELY.
- Repeat on other side of headboard.
- Tighten all screws (2) securely. Using Allen wrench to tighten (5).

FIGURE 3

