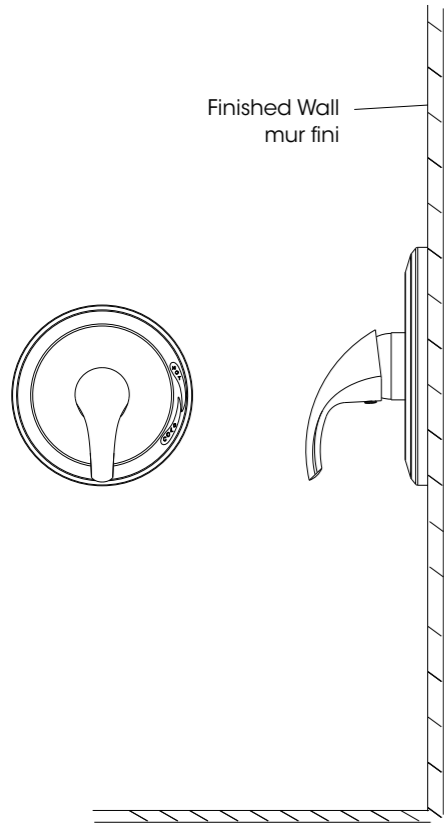
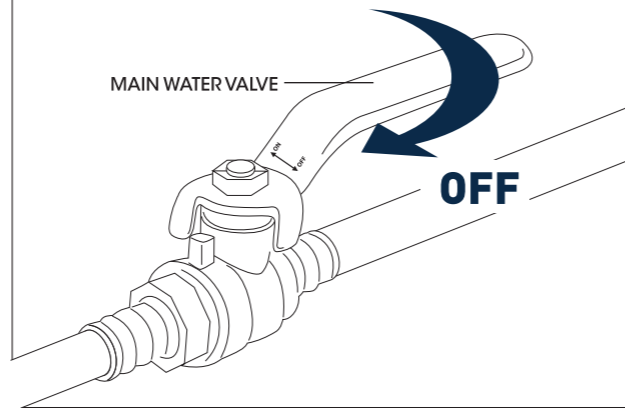


## PRODUCT DRAWING

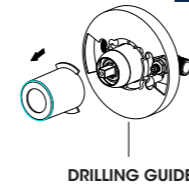


## INSTALLATION STEPS

### BEFORE YOU BEGIN



Rough-in-Installation primaire

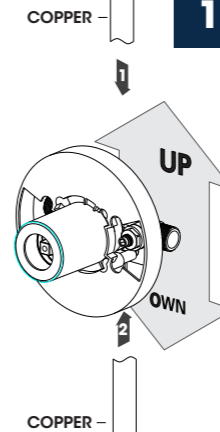


DRILLING GUIDE



ATTENTION

WHEN USING A HANDSHOWER, IT NEEDS TO BE CONNECTED TO THE TOP OUTLET



1

## SHOWER SYSTEM FAUCET

Installation instruction



MB/BN/BG/CH/ORB

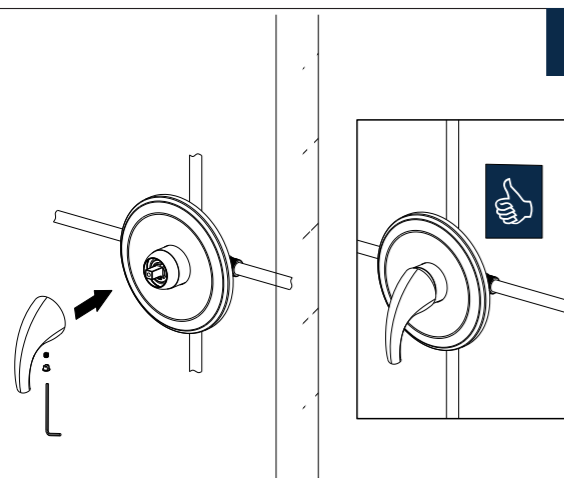
### CARE INSTRUCTIONS

Rinse the product with clear water. Dry the product with a soft cloth.

### DO NOT:

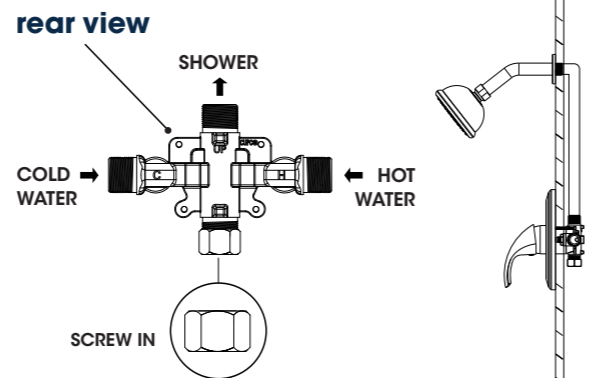
Use abrasive cleansers, cloths, or paper towels. Use any cleaning agents containing acid, polish, wax, alcohol, ammonia, bleach, solvent or any other corrosive or harsh chemical cleansers.

4



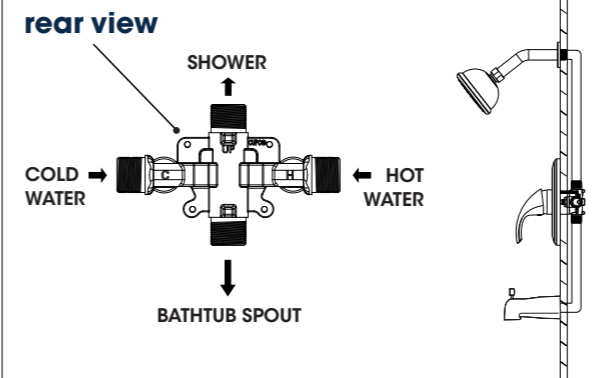
### ONLY SHOWER

5-A



### SHOWER+BATHTUB SPOUT

5-B



### RECOMMENDED TOOLS



\* Apply plumber's putty under the plastic cover deck plate to seal your installation.

The model shown in the installation steps may differ from the one in box however connection type and installation steps are the same.

### CONNECTION ADVICE

