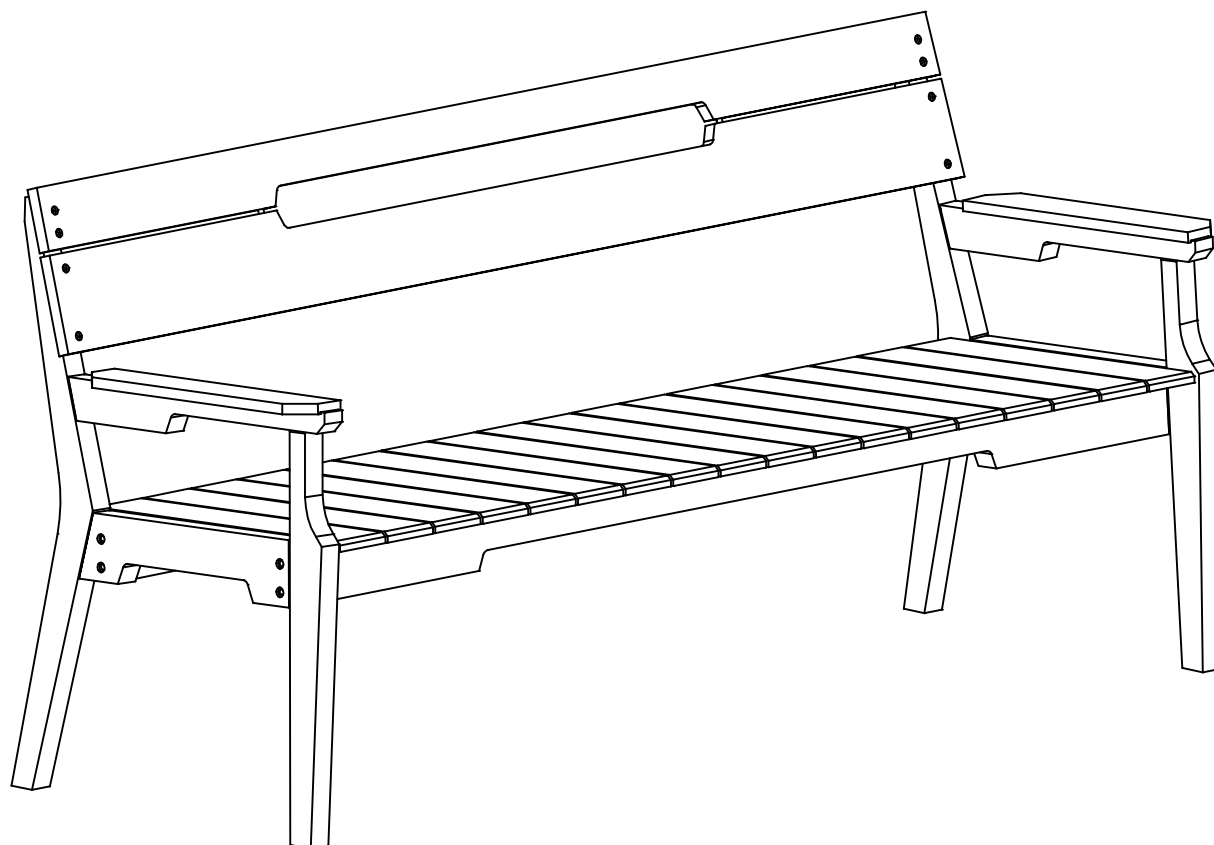
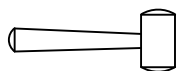


ASSEMBLY INSTRUCTIONS

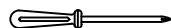
3-SEAT BENCH



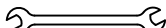
Tools Required (Not Included)



Rubber Hammer



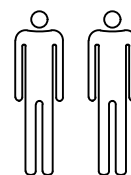
Phillips Screwdriver



Wrench

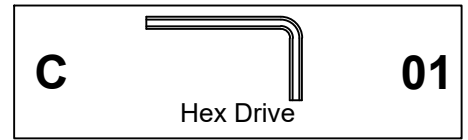
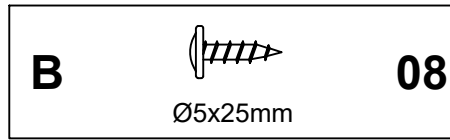
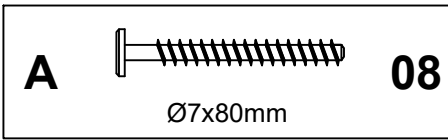


Cordless Drive (*)

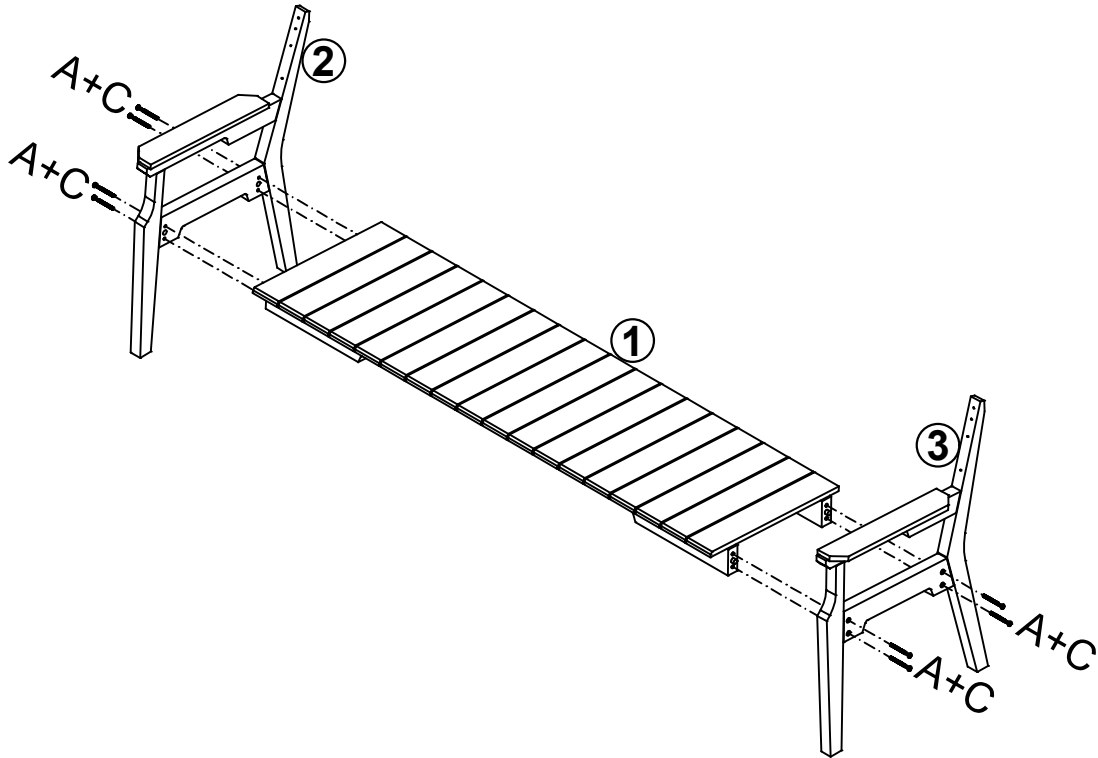
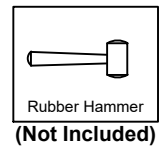
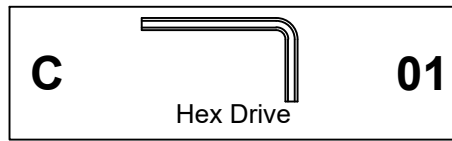
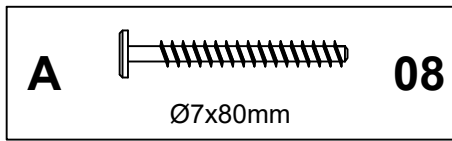


(*) NOTE: Optional - use in place of hex drive.

Identifying the Hardware-Identify the hardware using the illustrations below.



01



02

