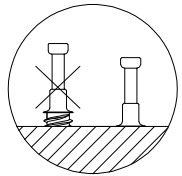
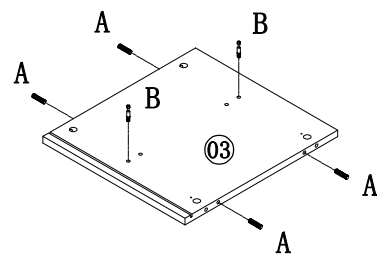
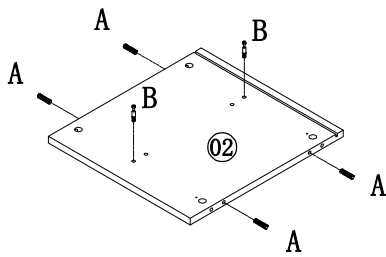
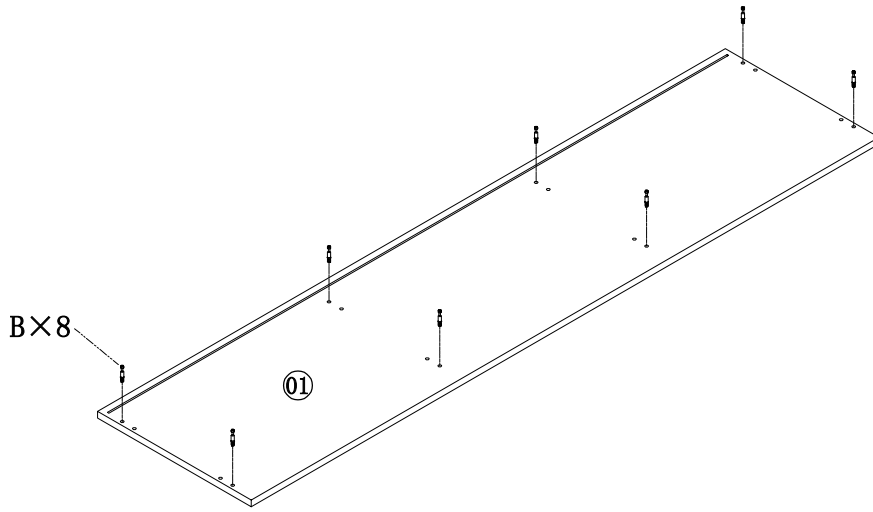
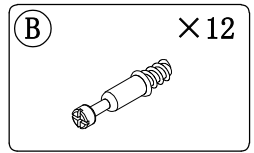
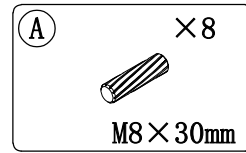
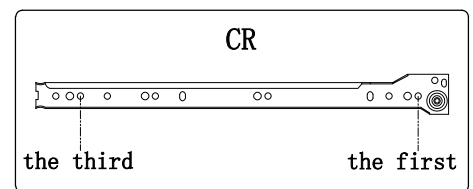
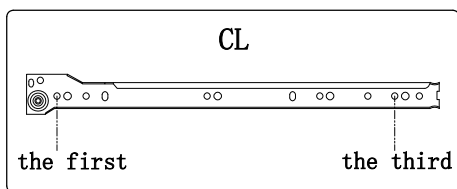
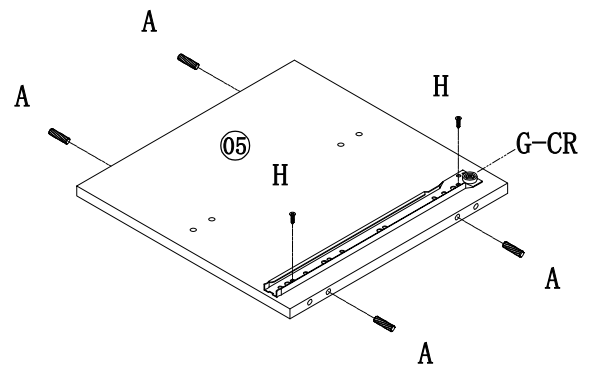
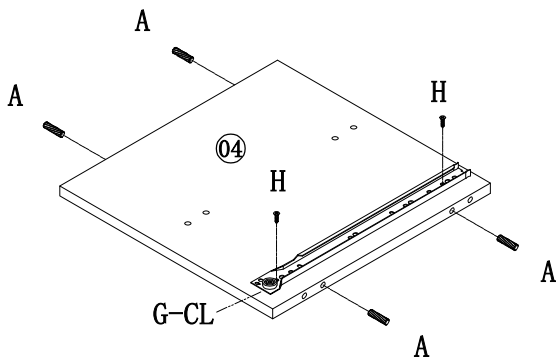
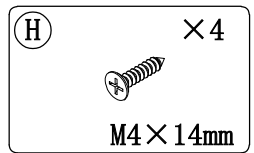
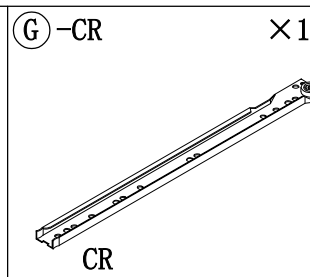
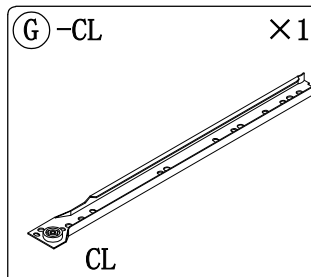
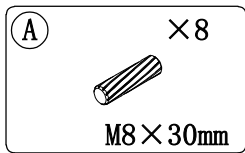


# 01



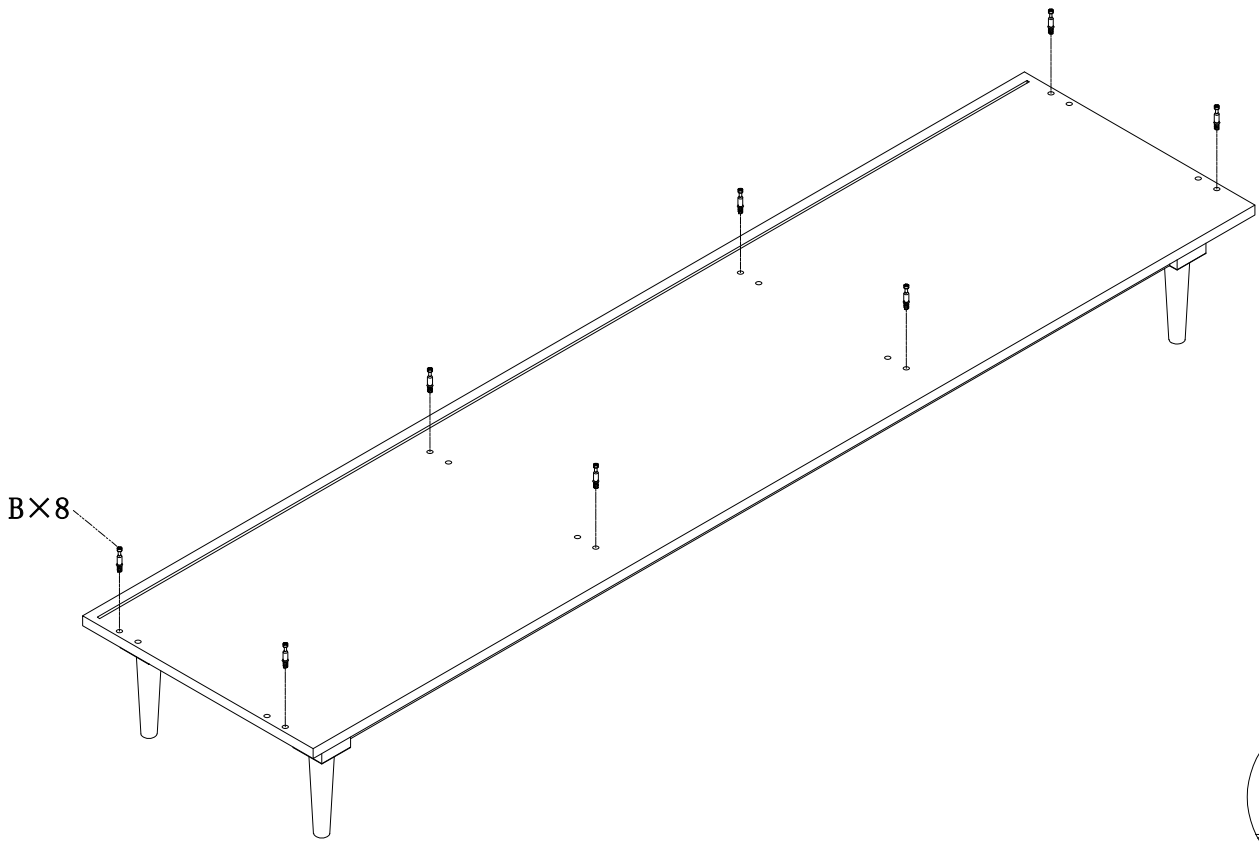
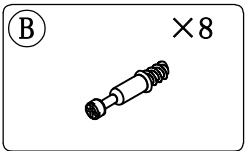
# 02



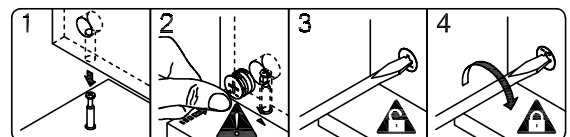
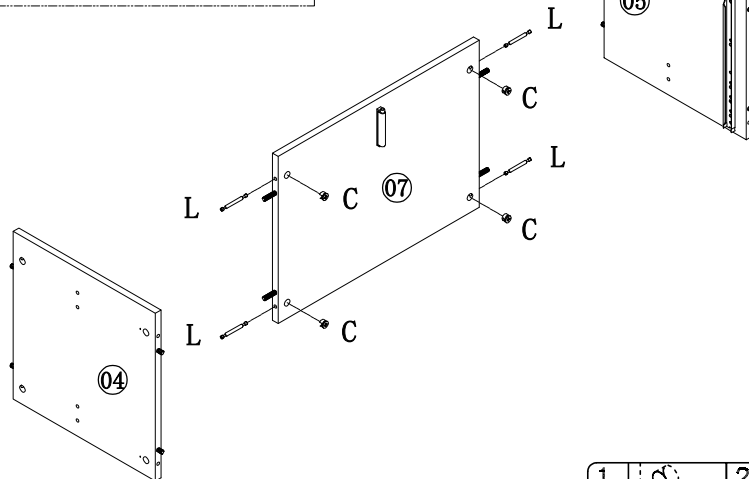
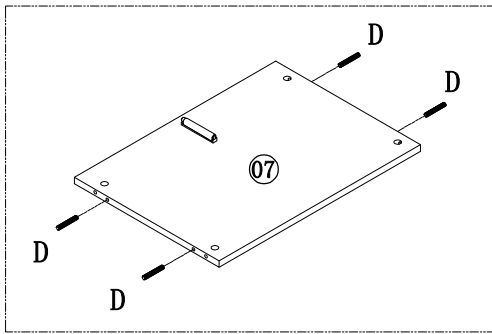
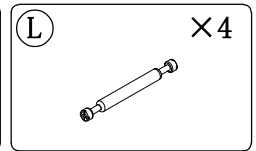
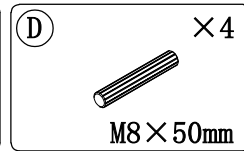
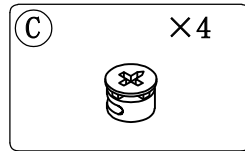




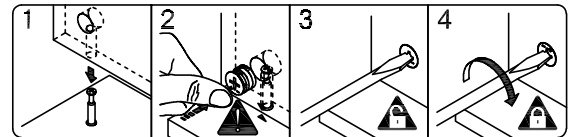
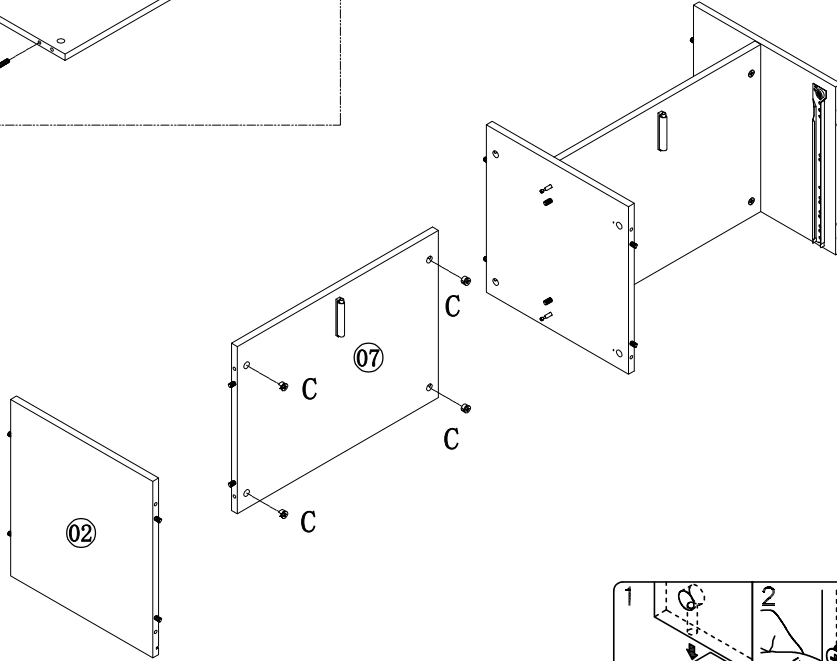
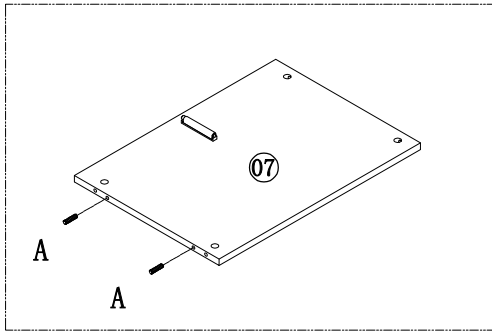
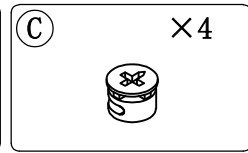
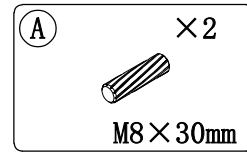
07



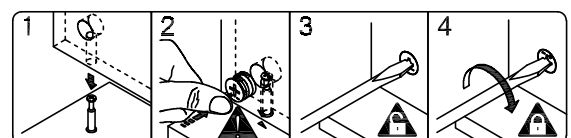
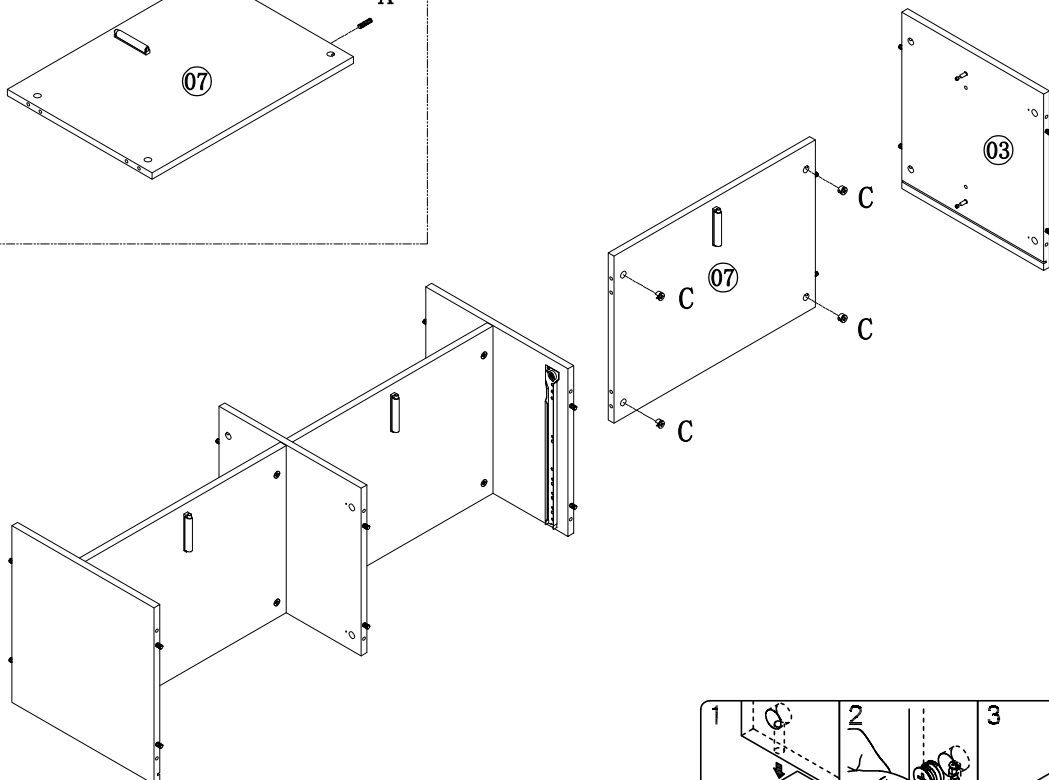
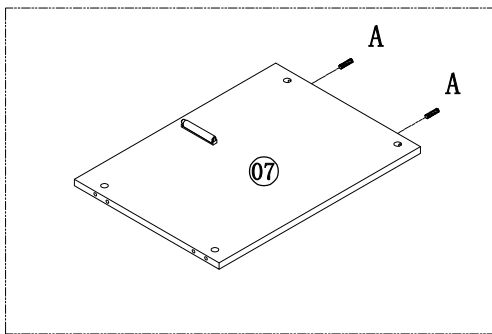
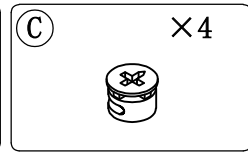
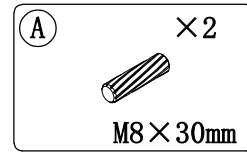
08



# 09

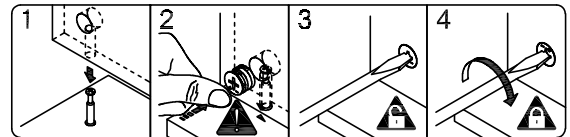
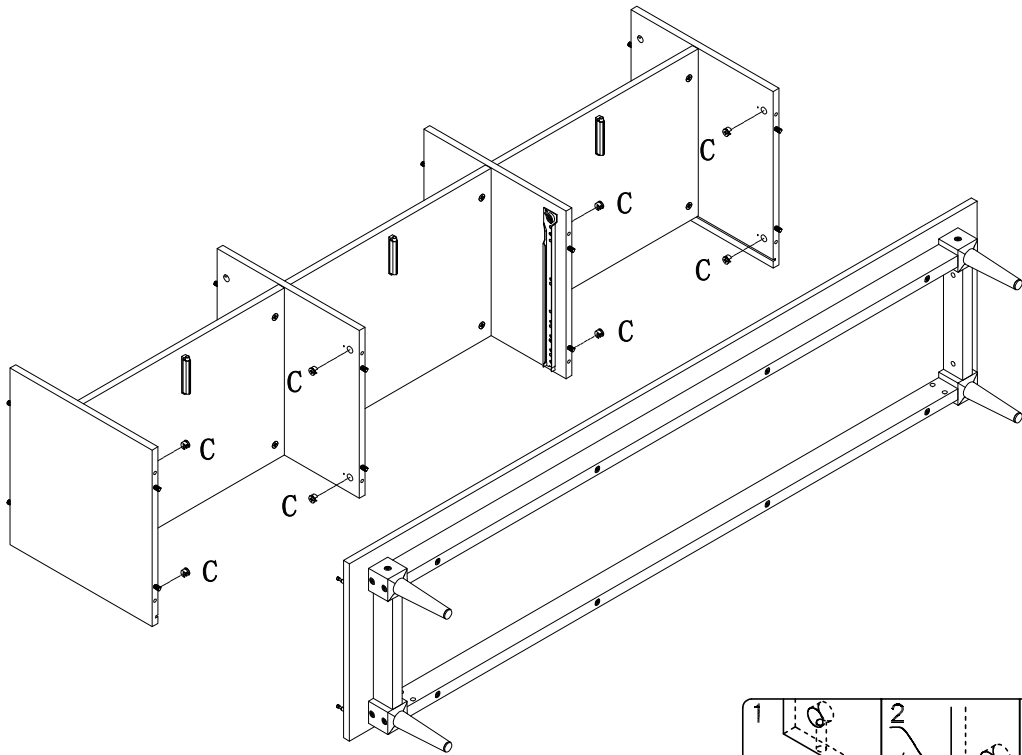



# 10



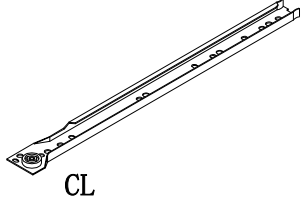
# 11

(C) ×8



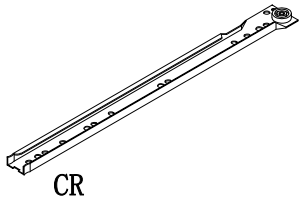
# 12

(G)-CL ×2




CL

(G)-CR ×2

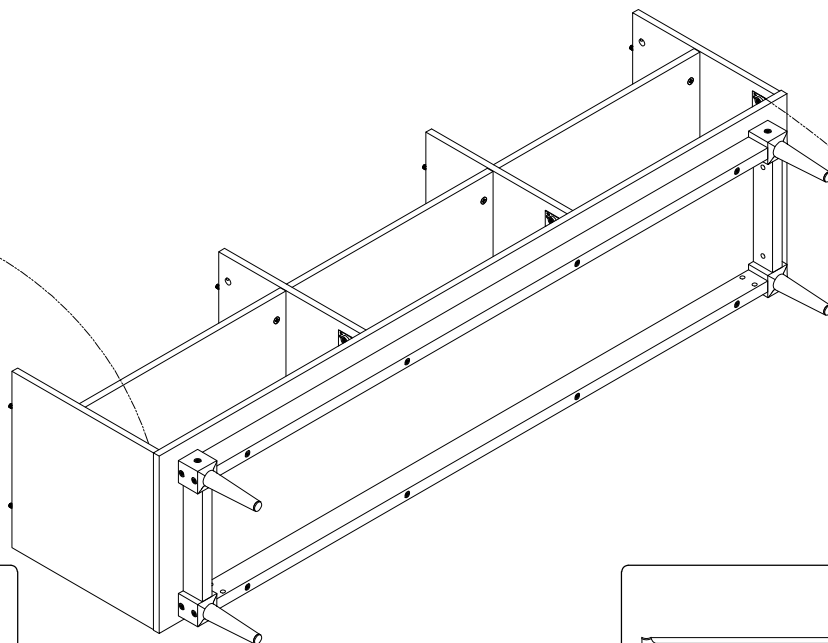
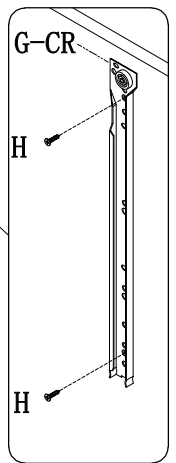
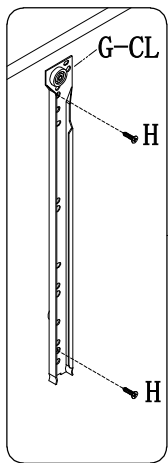


CR

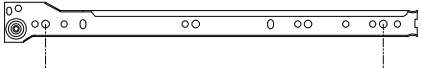
(H) ×8



M4×14mm




CL



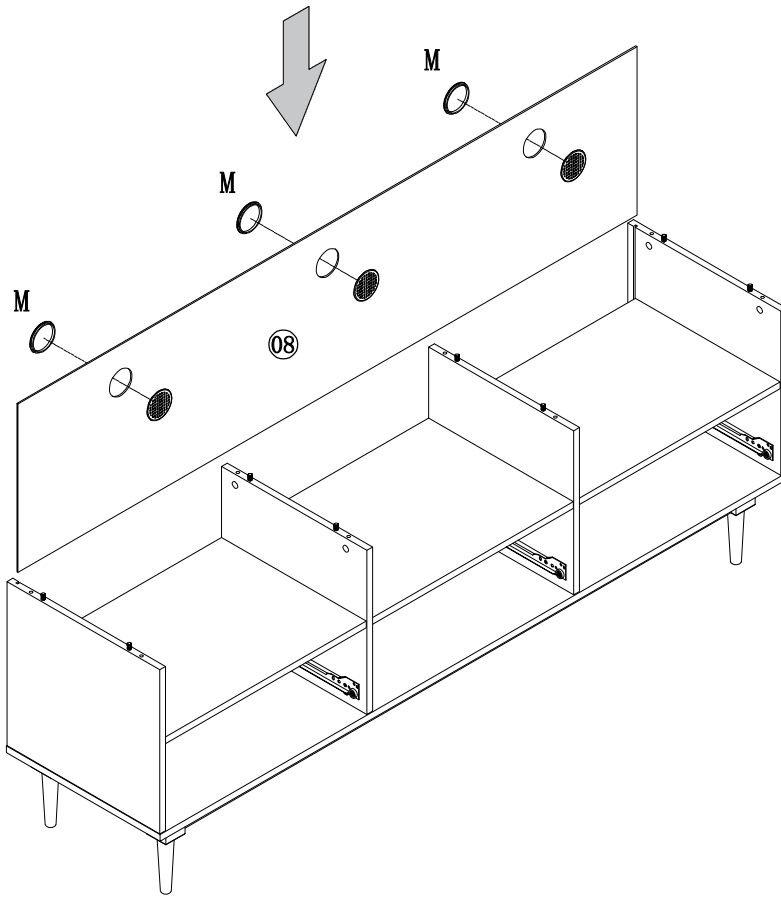
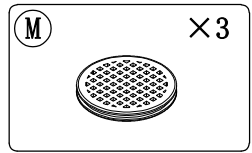
the second      the second

CR

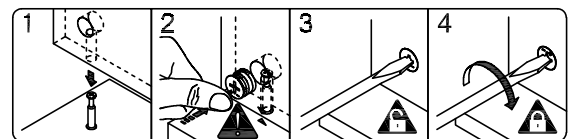
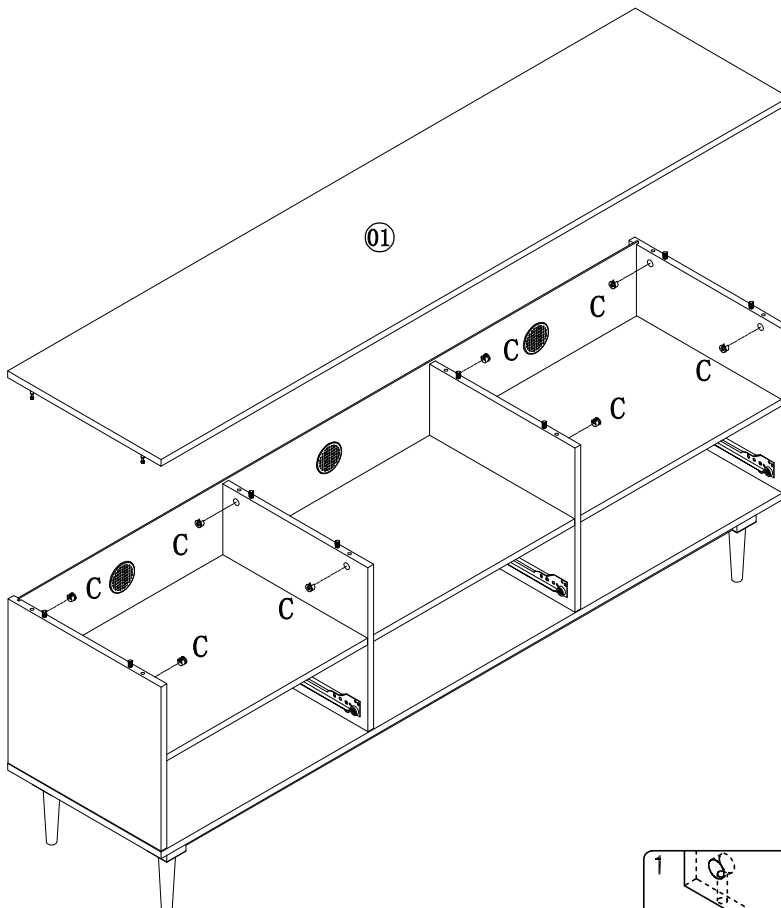
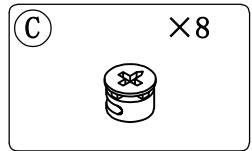


the second      the second

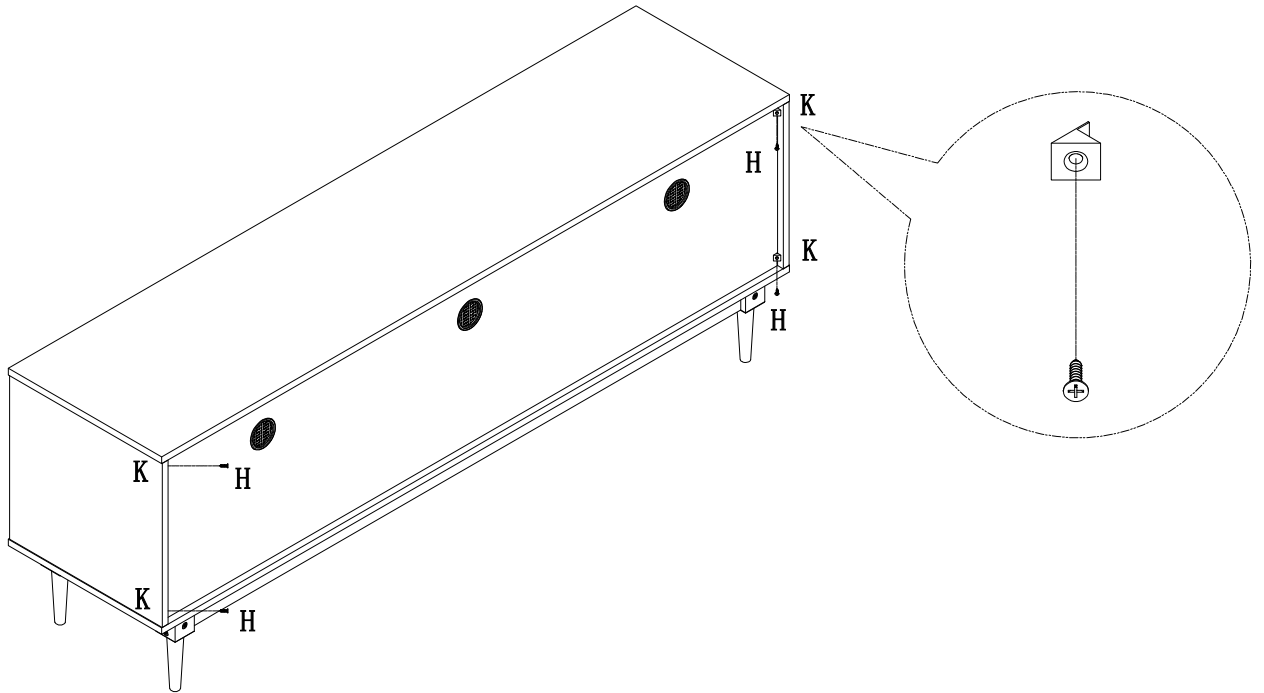
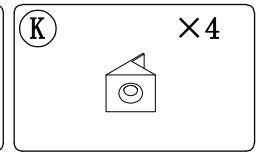
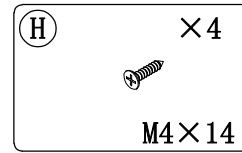
# 13



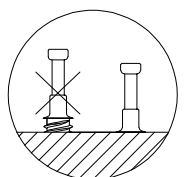
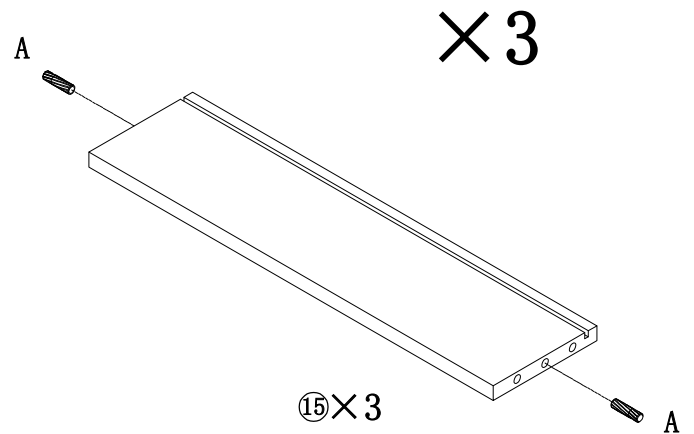
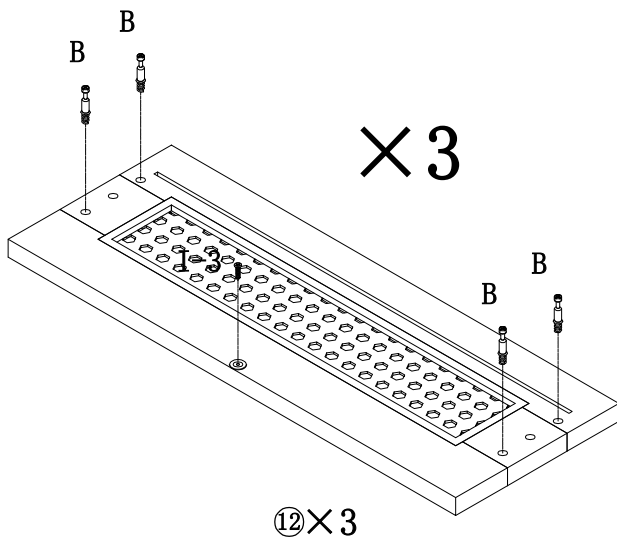
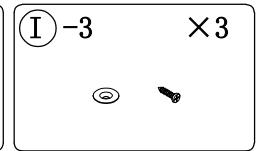
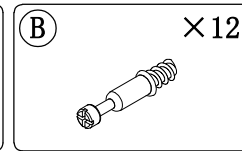
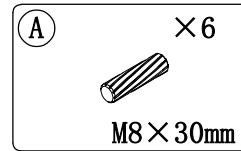
# 14



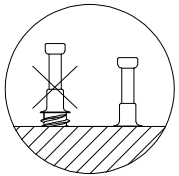
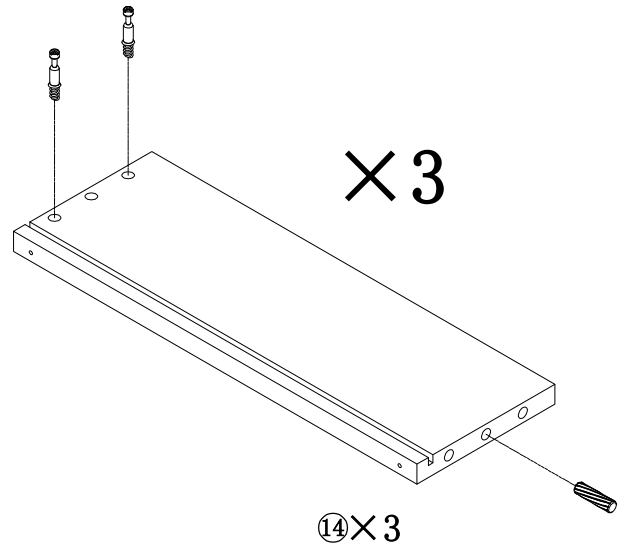
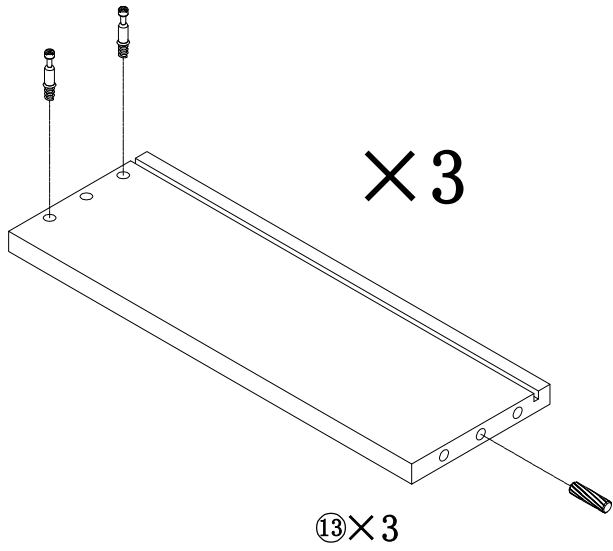
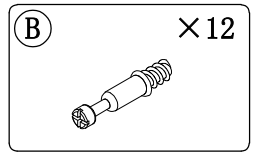
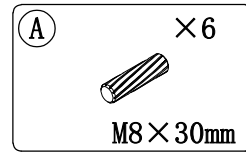
# 15



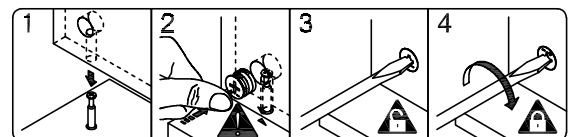
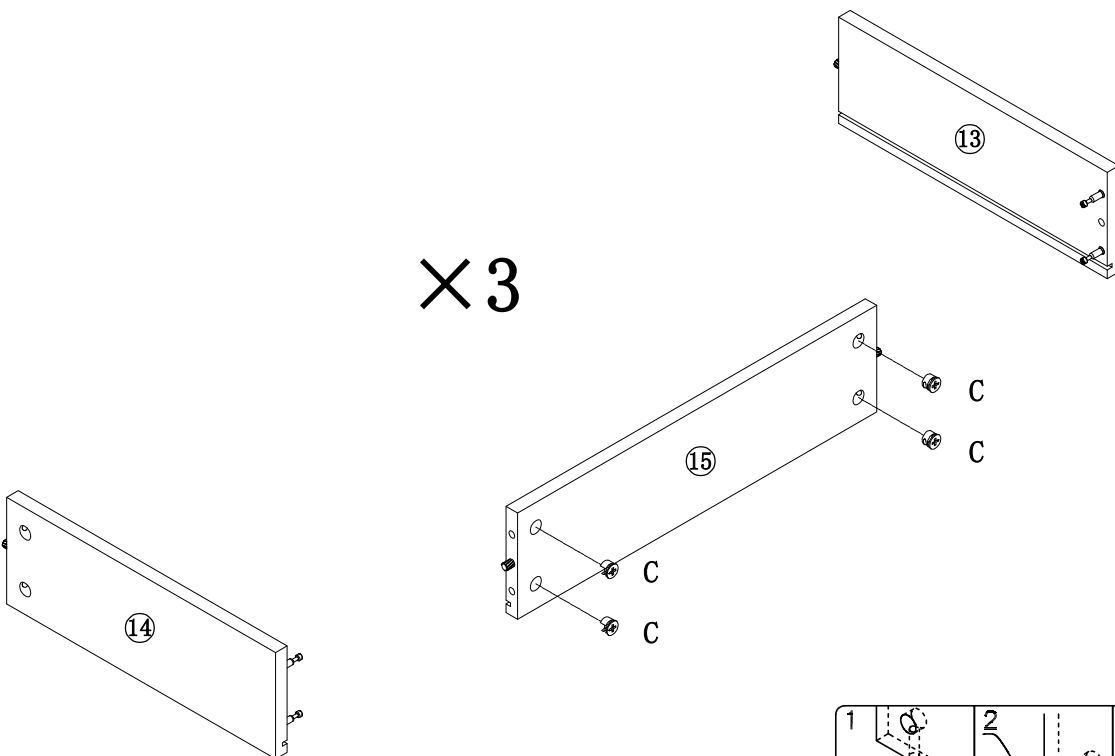
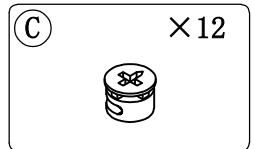
# 16



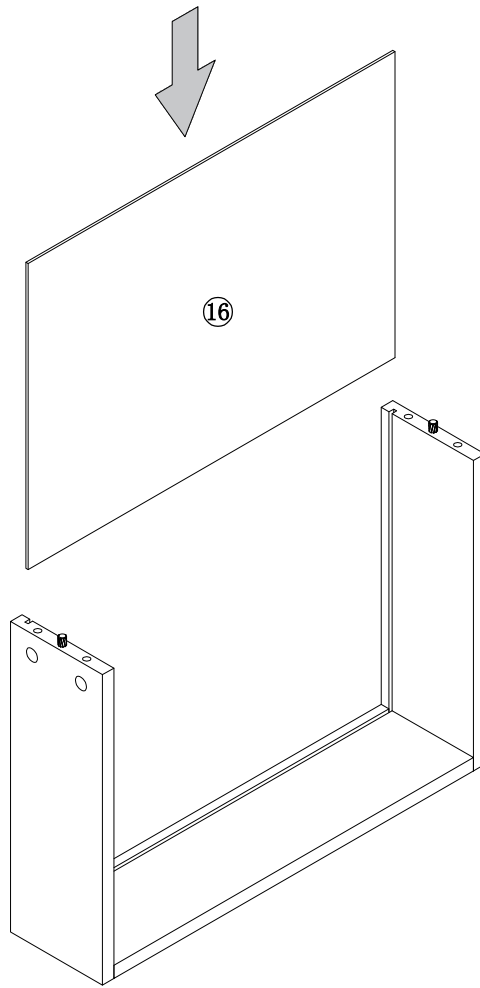
# 17



# 18

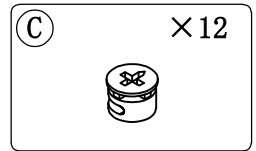
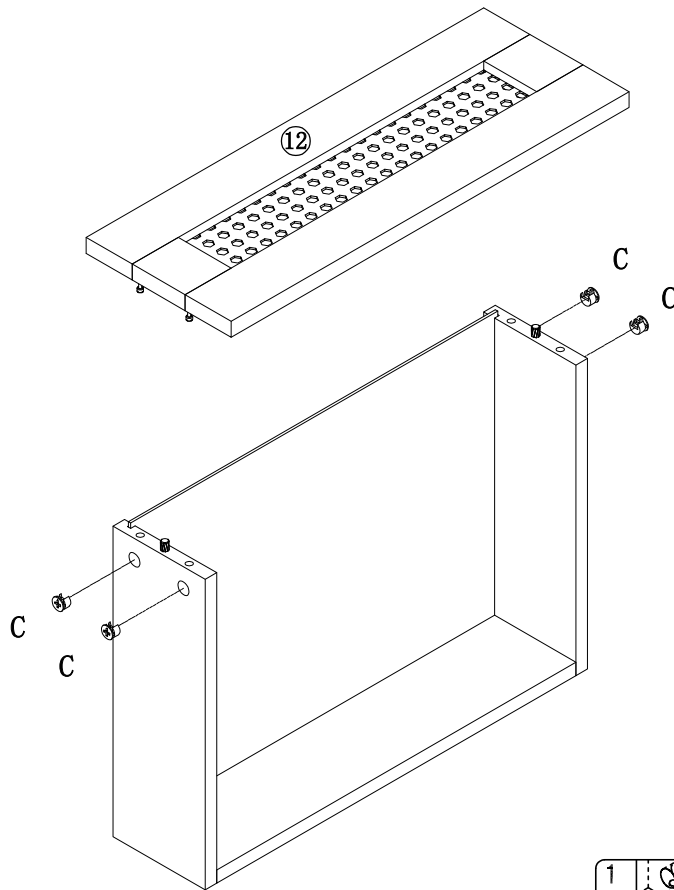


19

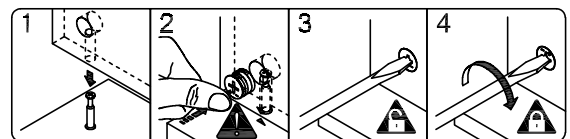


×3

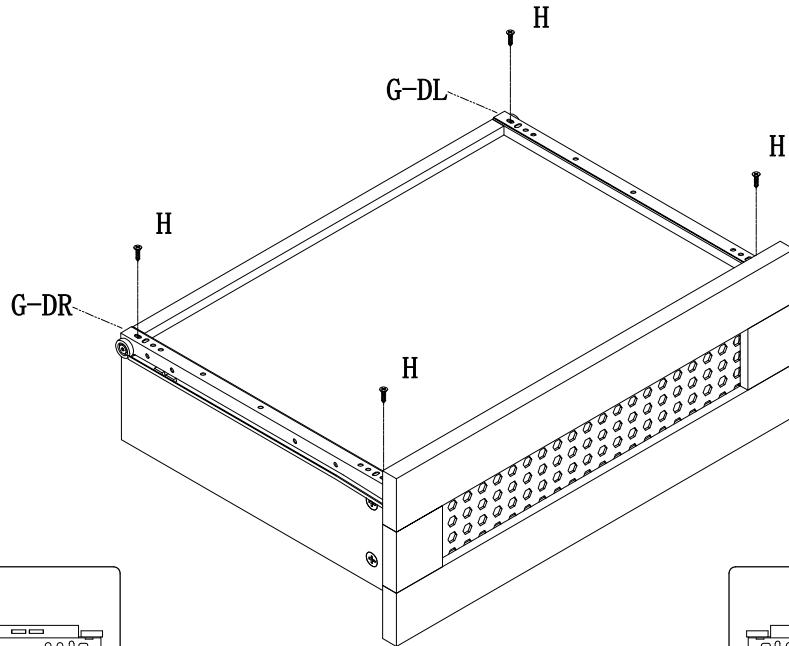
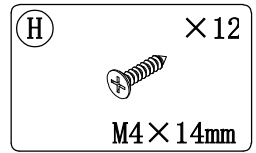
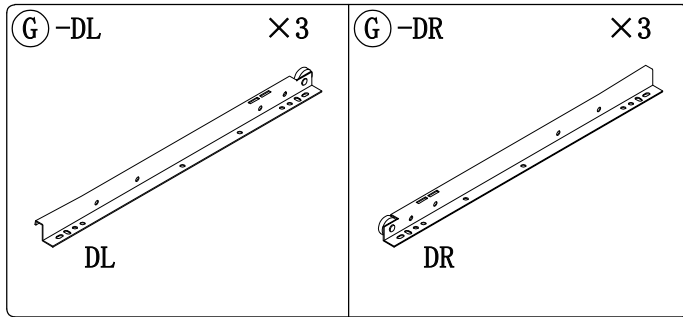
20



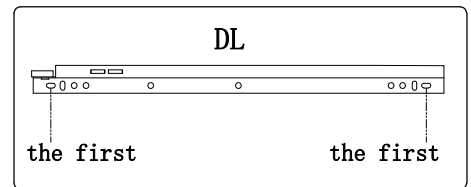
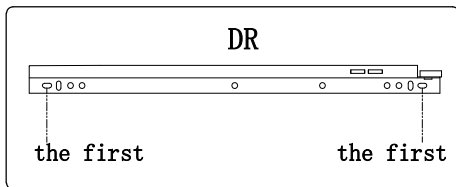
×3



# 21



# ×3



# 22

