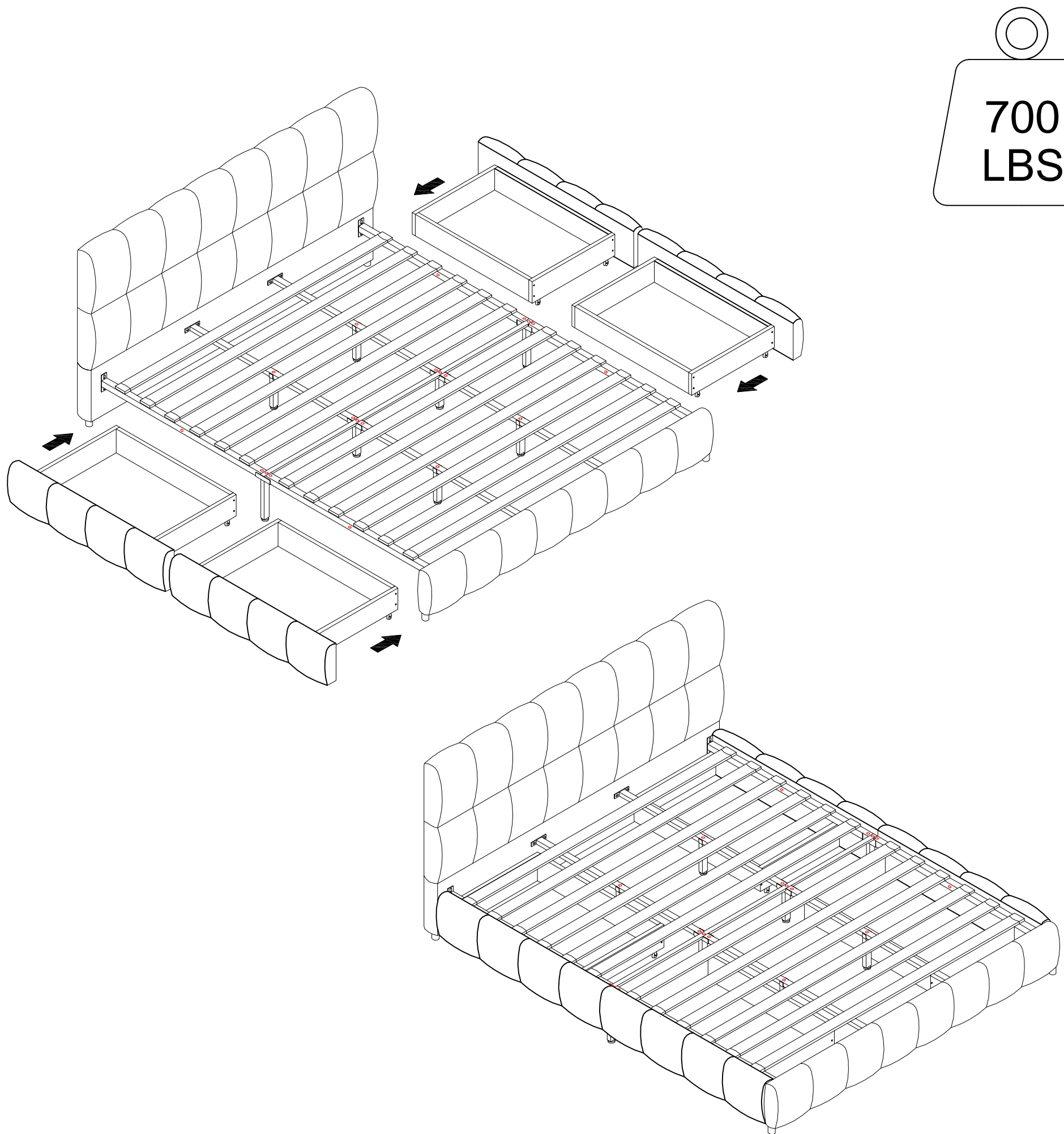
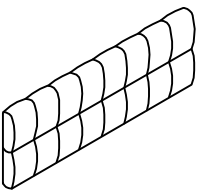
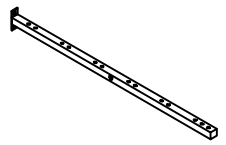
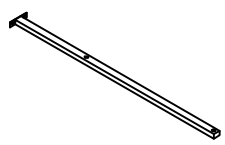

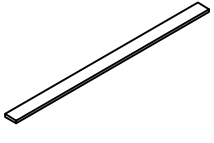
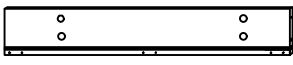
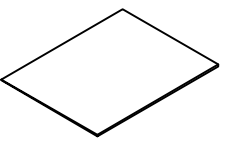


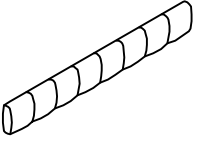
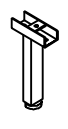

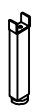
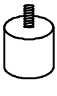
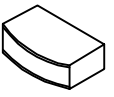

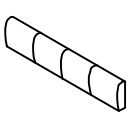
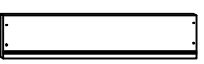
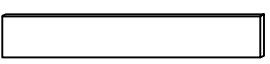
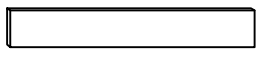

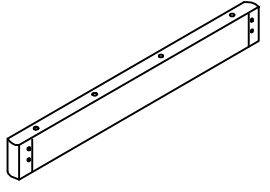
ASSEMBLY INSTRUCTIONS







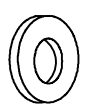



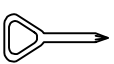


Install all screws according to the instructions,
and then tighten them completely.

PACKING DETAILS: TOTAL 2 BOXES

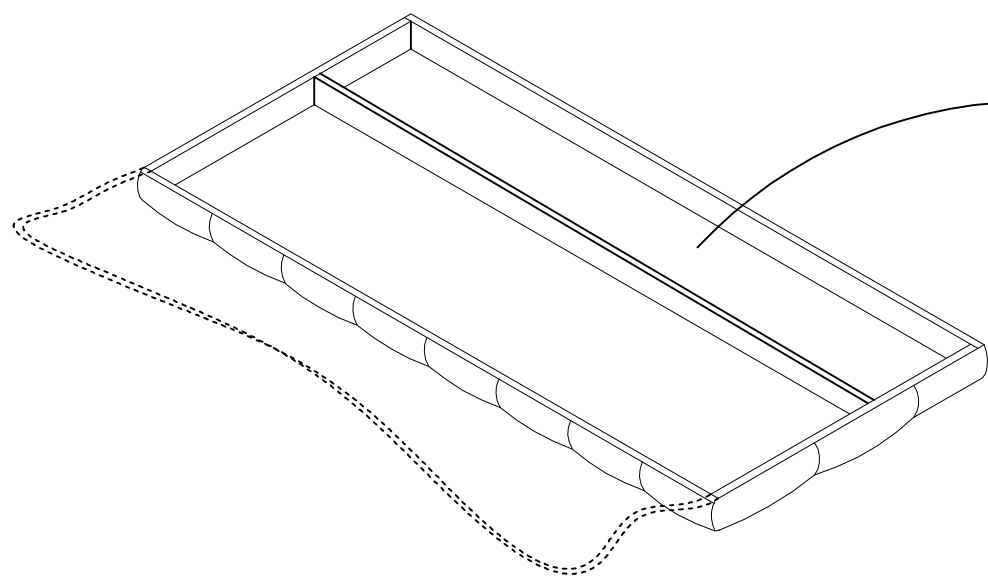
	1-(1pc)		3-(4pcs)		4-(2pcs)
	5-(1pc)		11-(12pcs)		18-(4pcs)
	19-(4pcs)				

	2-(1pc)		6-(2pcs)		7-(2pcs)
	8-(4pcs)		9-(4pcs)		10-(24pcs)
	12-(16pcs)		13-(4pcs)		14-(8pcs)
	15-(4pcs)		16-(8pcs)		17-(4pcs)
	20-(1pc)				

(Hardware Packet)

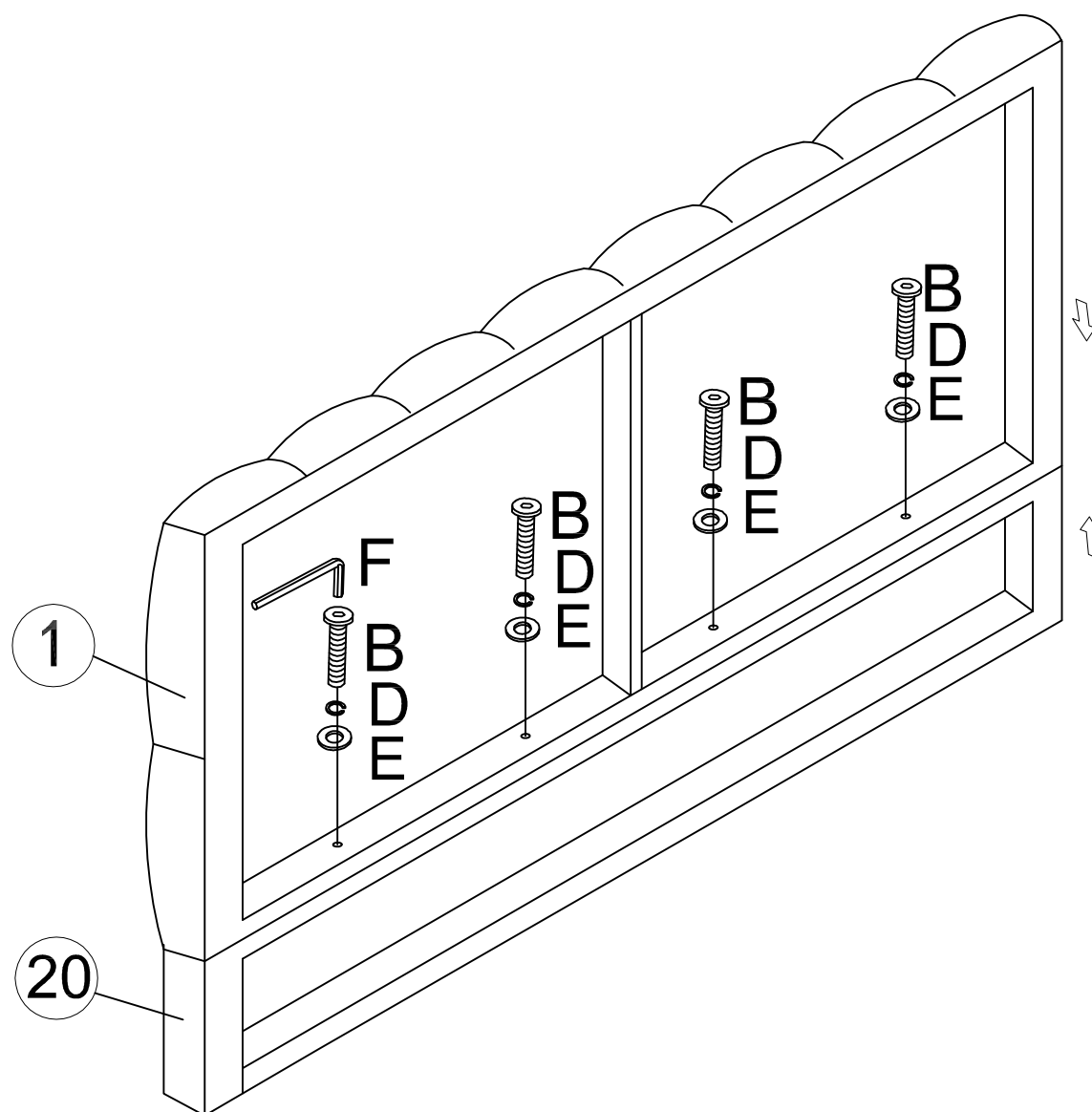
	M8*30mm A-(16pcs)		M8*45mm B-(20pcs)		M6*30mm C-(20pcs)
	M8 D-(36pcs)		M8*19mm E-(36pcs)		M8 F-(1pc)
	M6*40mm G-(80pcs)		8*15mm H-(64pcs)		I-(1pc)
	M6*14mm J-(16pcs)		M6 K-(1pc)		

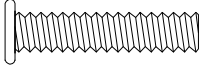



STEP :Packing Details



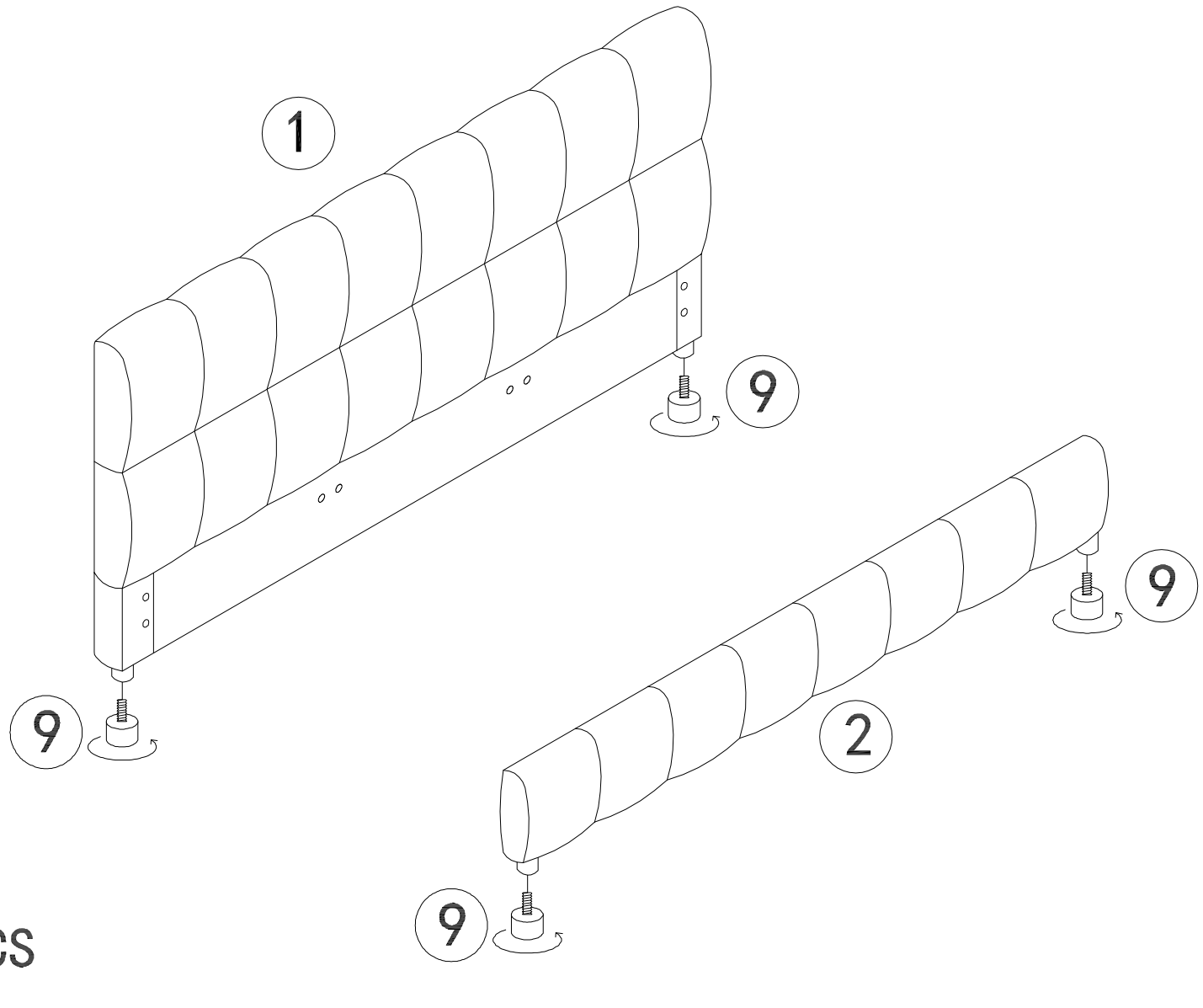
All components inside

STEP 1

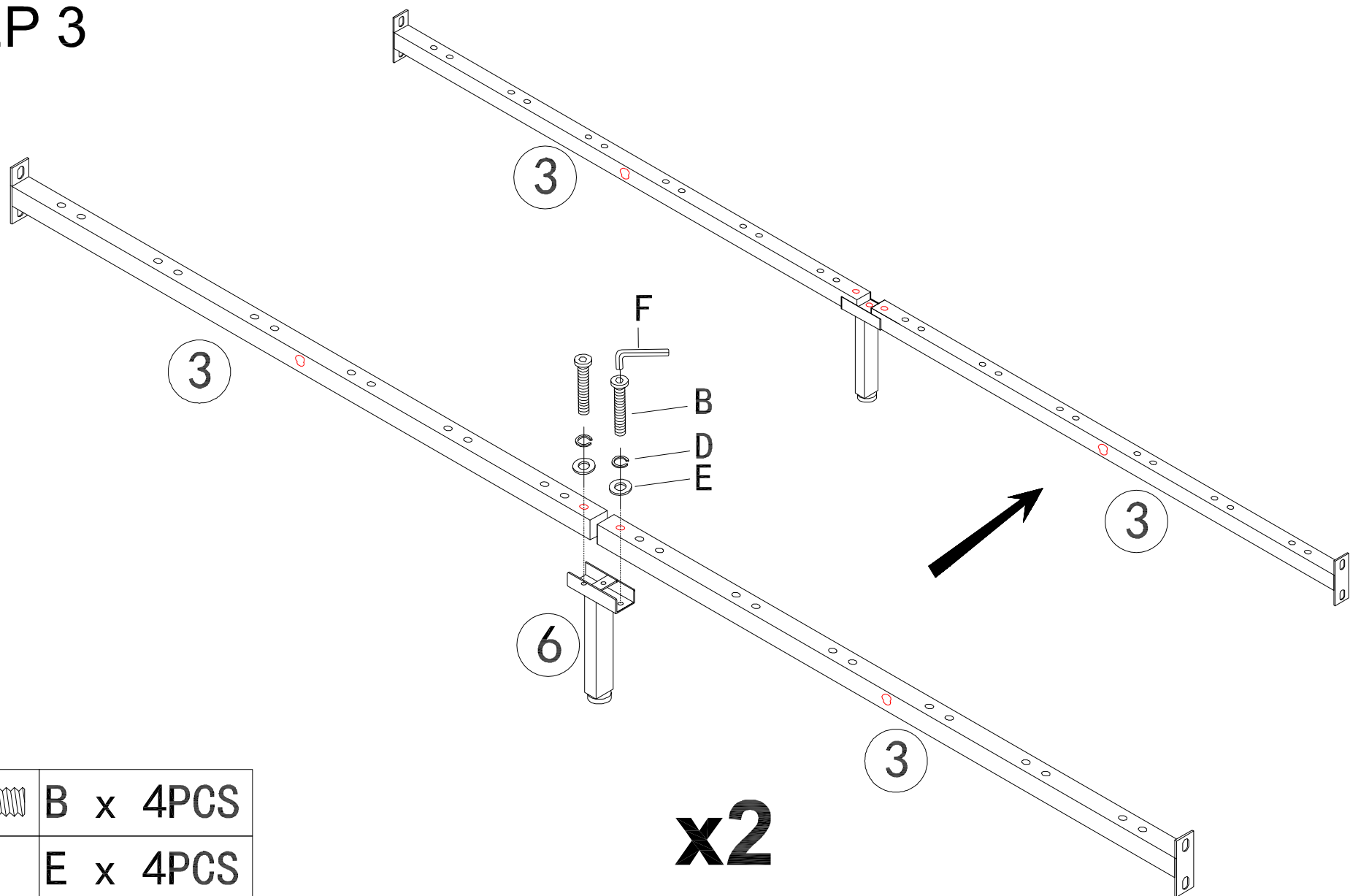


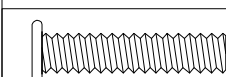


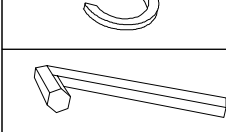
	B x 4PCS
	E x 4PCS
	D x 4PCS
	F x 1PC

STEP 2

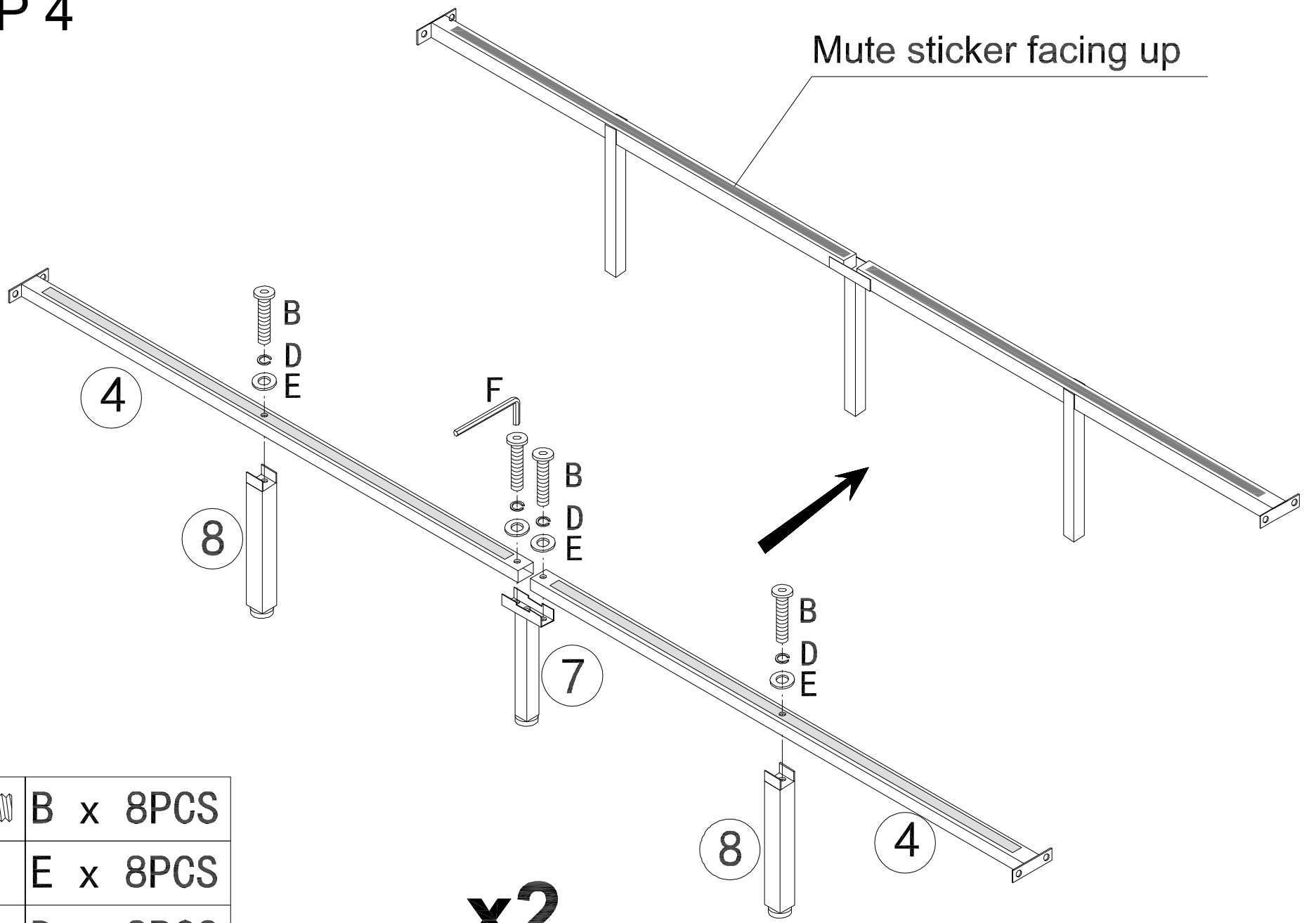


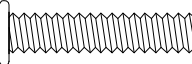



STEP 3



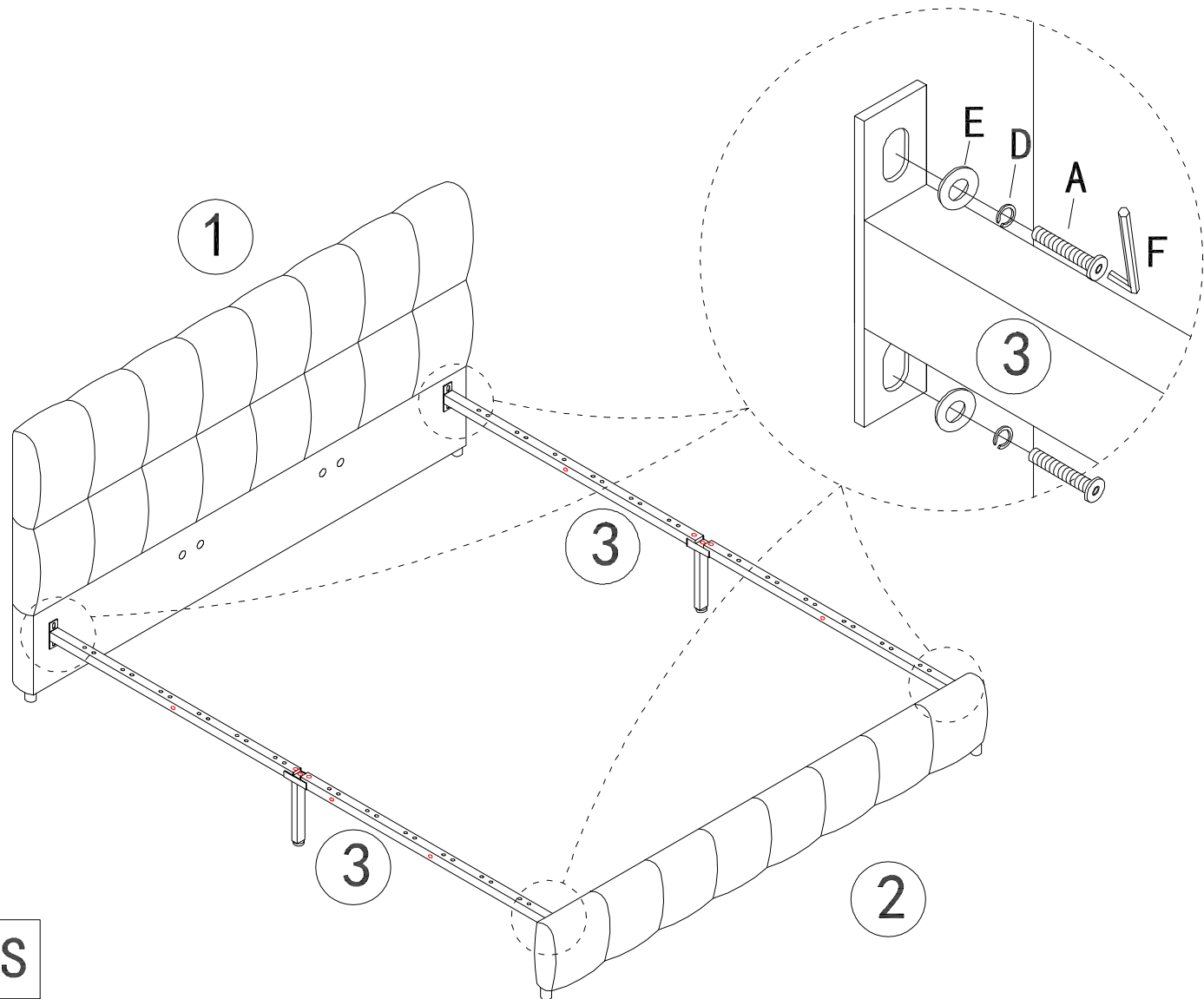
	B x 4PCS
	E x 4PCS
	D x 4PCS
	F x 1PC

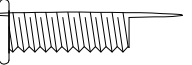



STEP 4



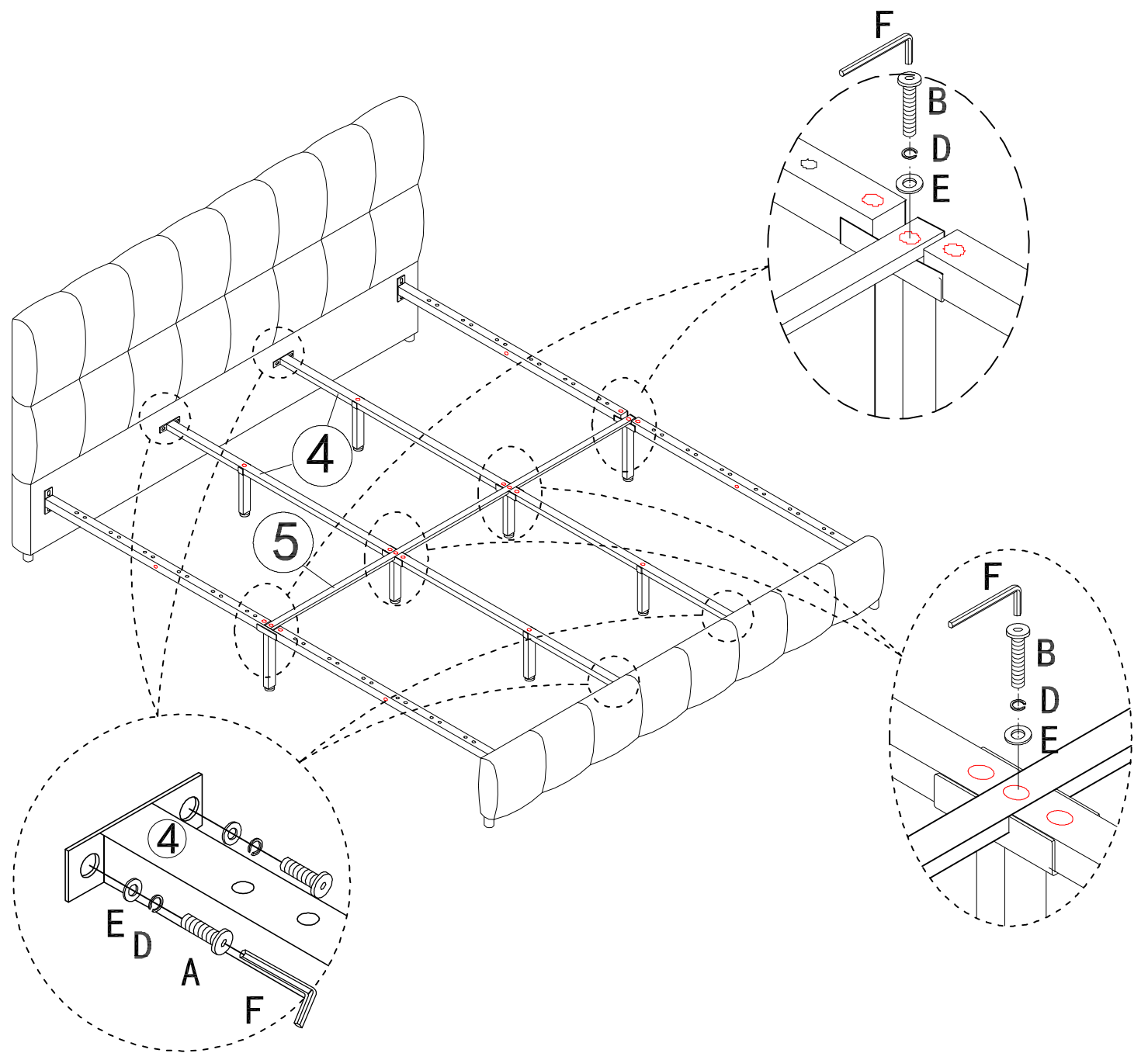
	B x 8PCS
	E x 8PCS
	D x 8PCS
	F x 1PC

STEP 5



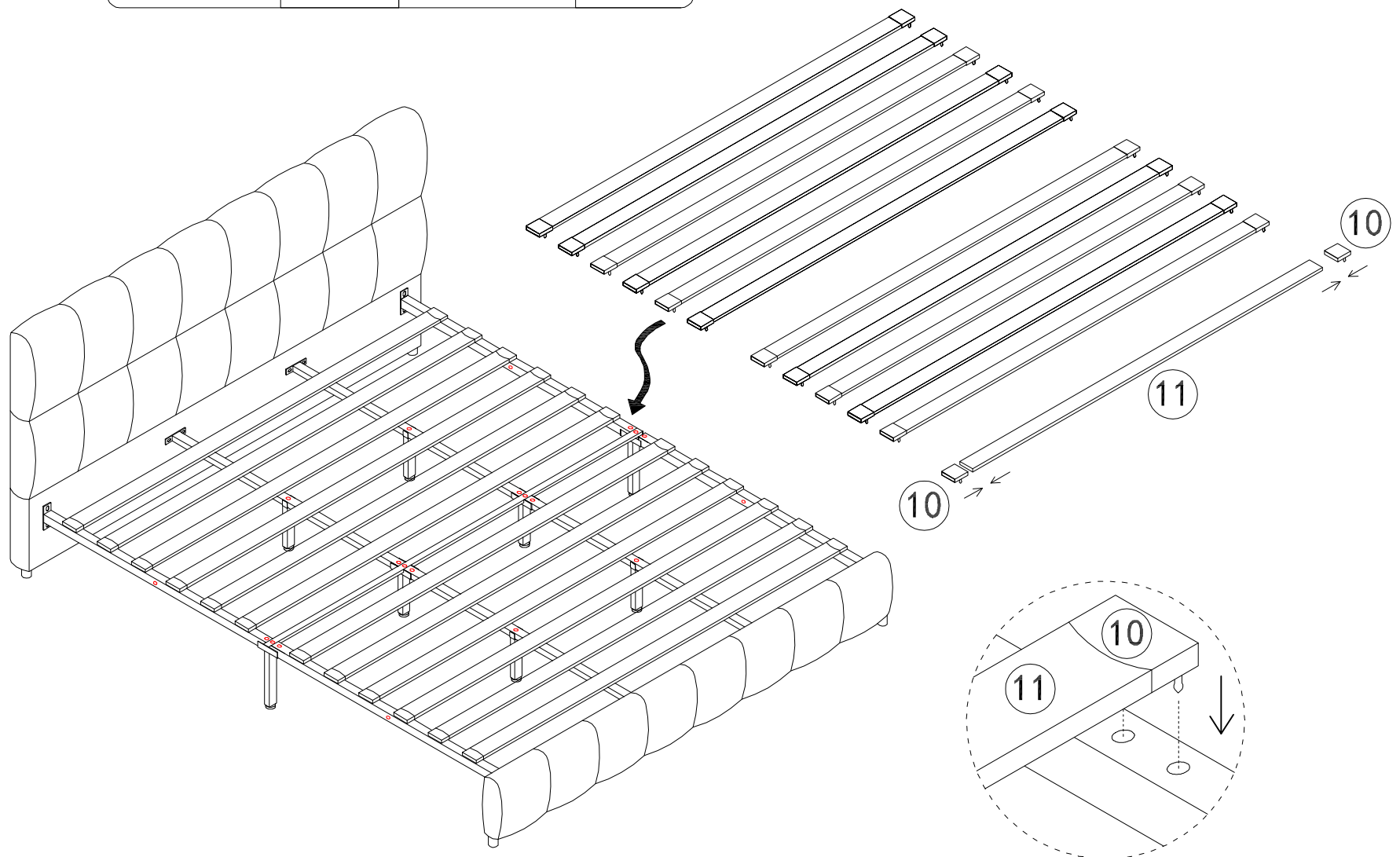
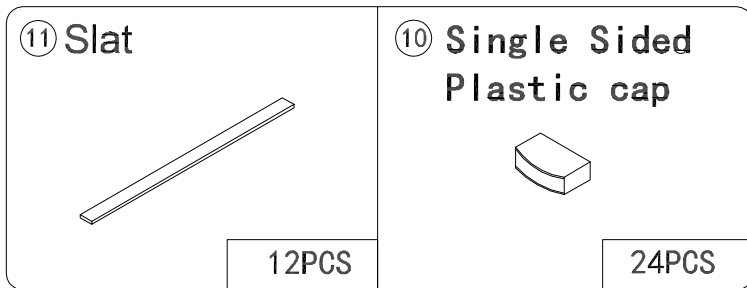
	A x 8PCS
	E x 8PCS
	D x 8PCS
	F x 1PC

STEP 6



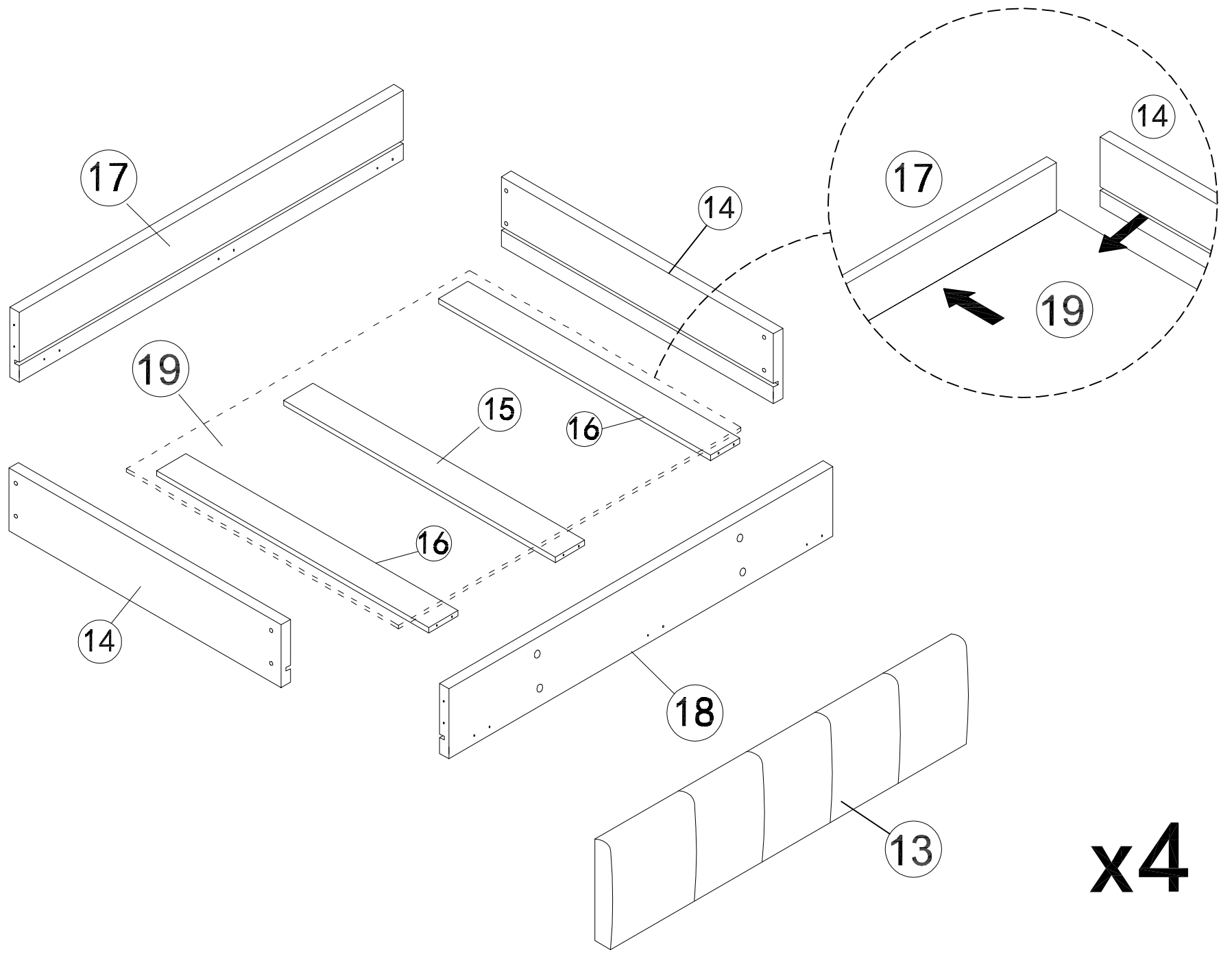
	B x 4 PCS
	A x 8 PCS
	E x 12 PCS
	D x 12 PCS
	F x 1 PC

STEP 7

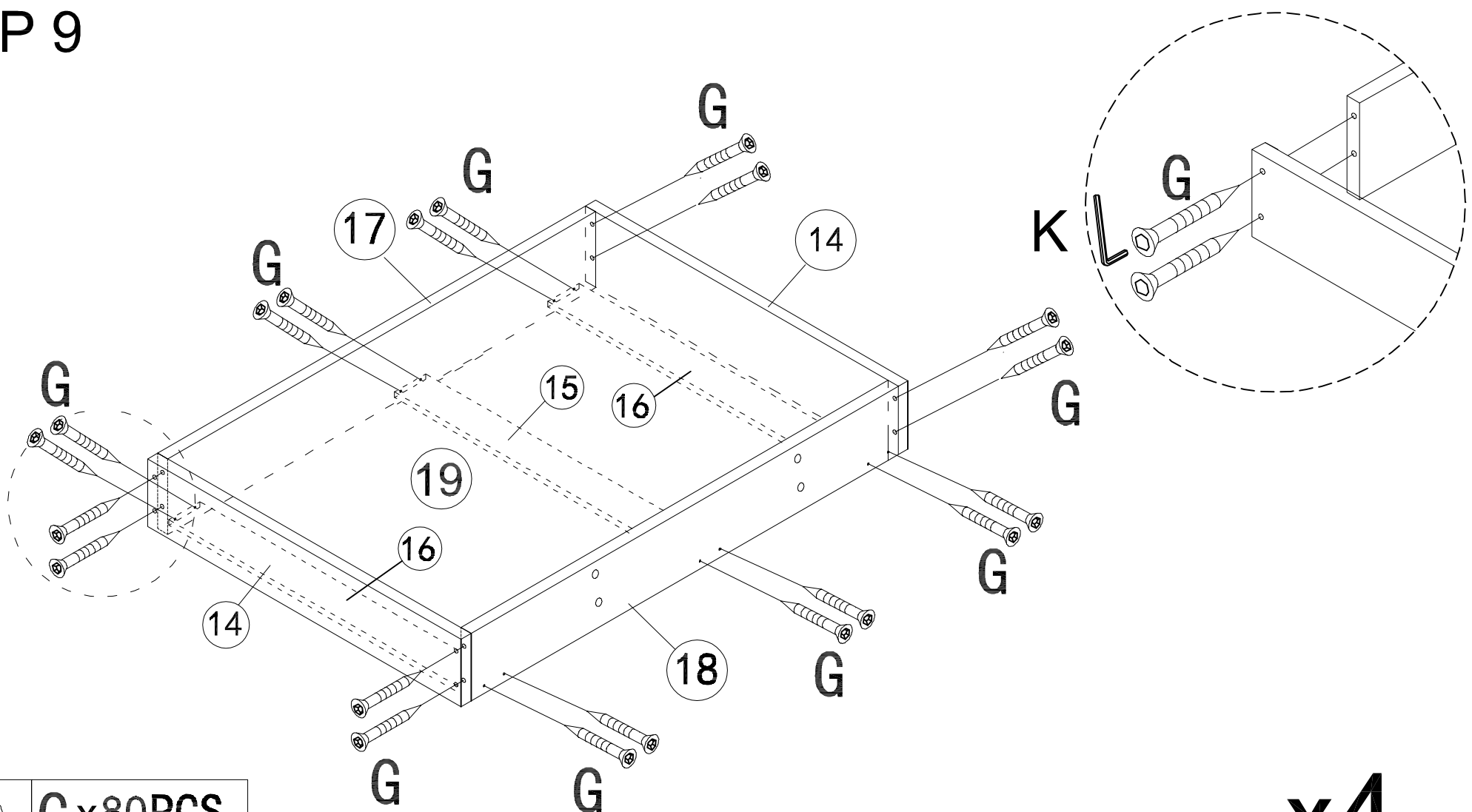


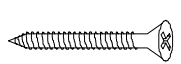
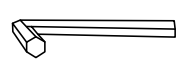
STEP 8

ASSEMBLE DRAWER



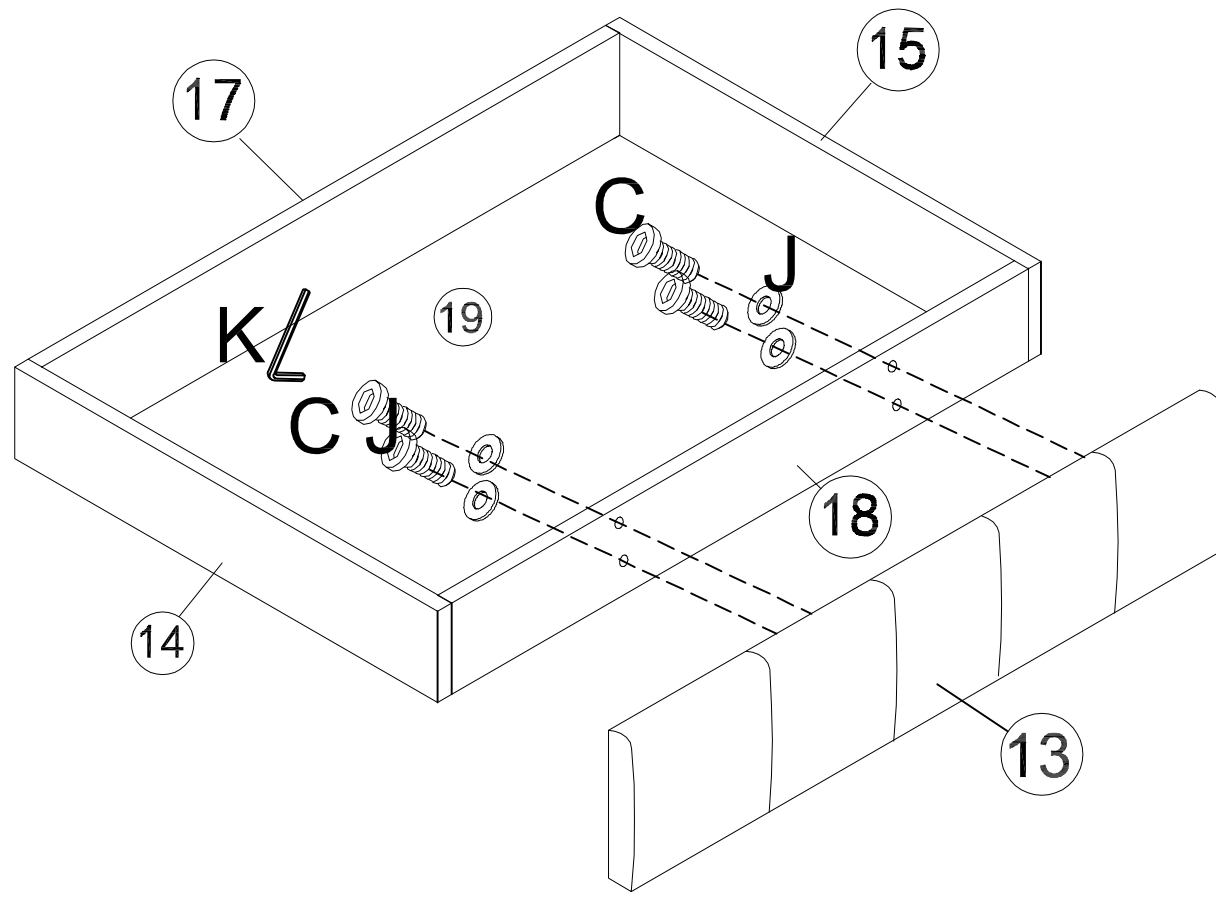
STEP 9

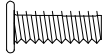



	G x80PCS
	K x1PC

x4

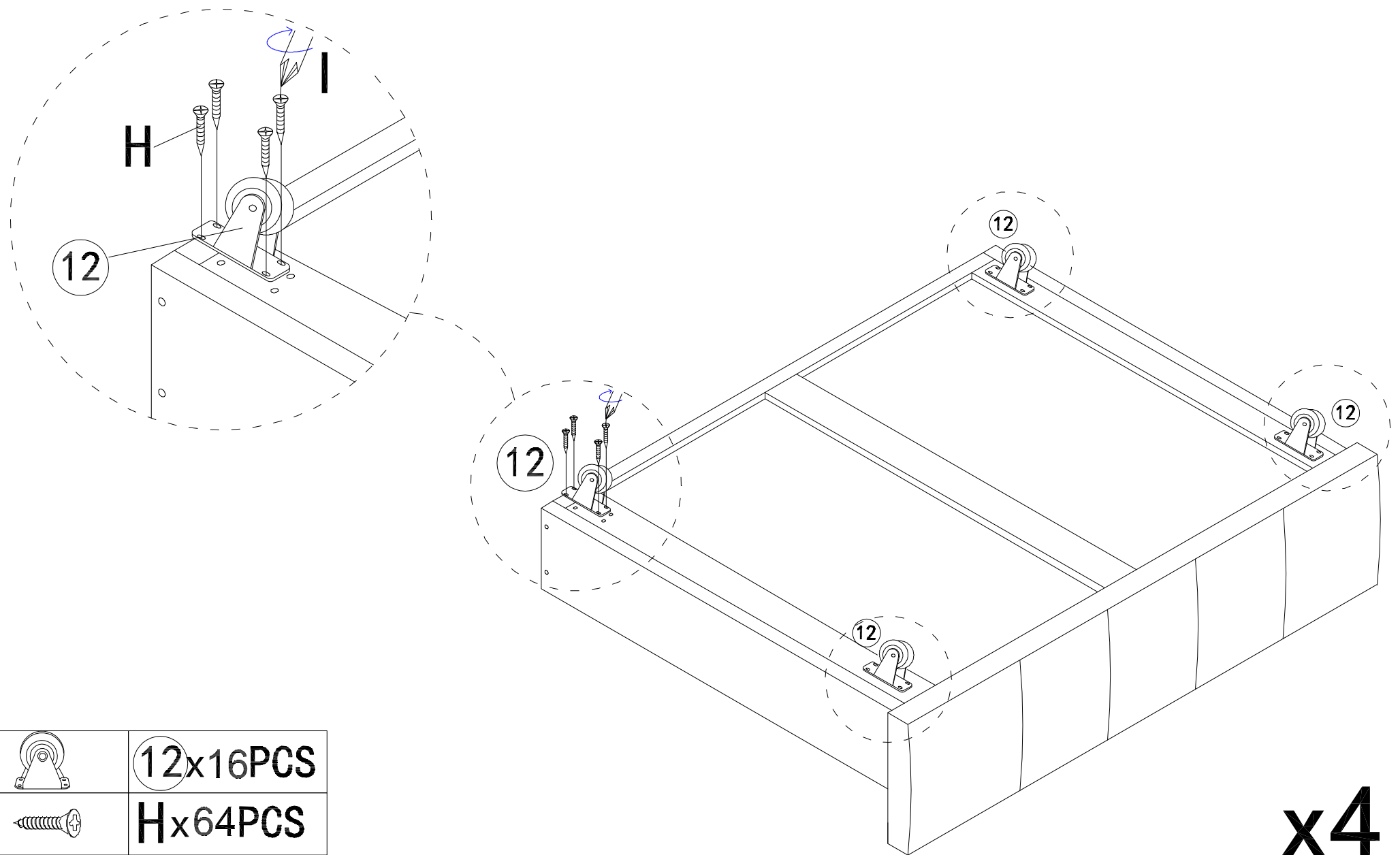
STEP 10



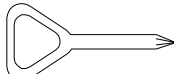


	C x 16 PCS
	J x 16 PCS

x4

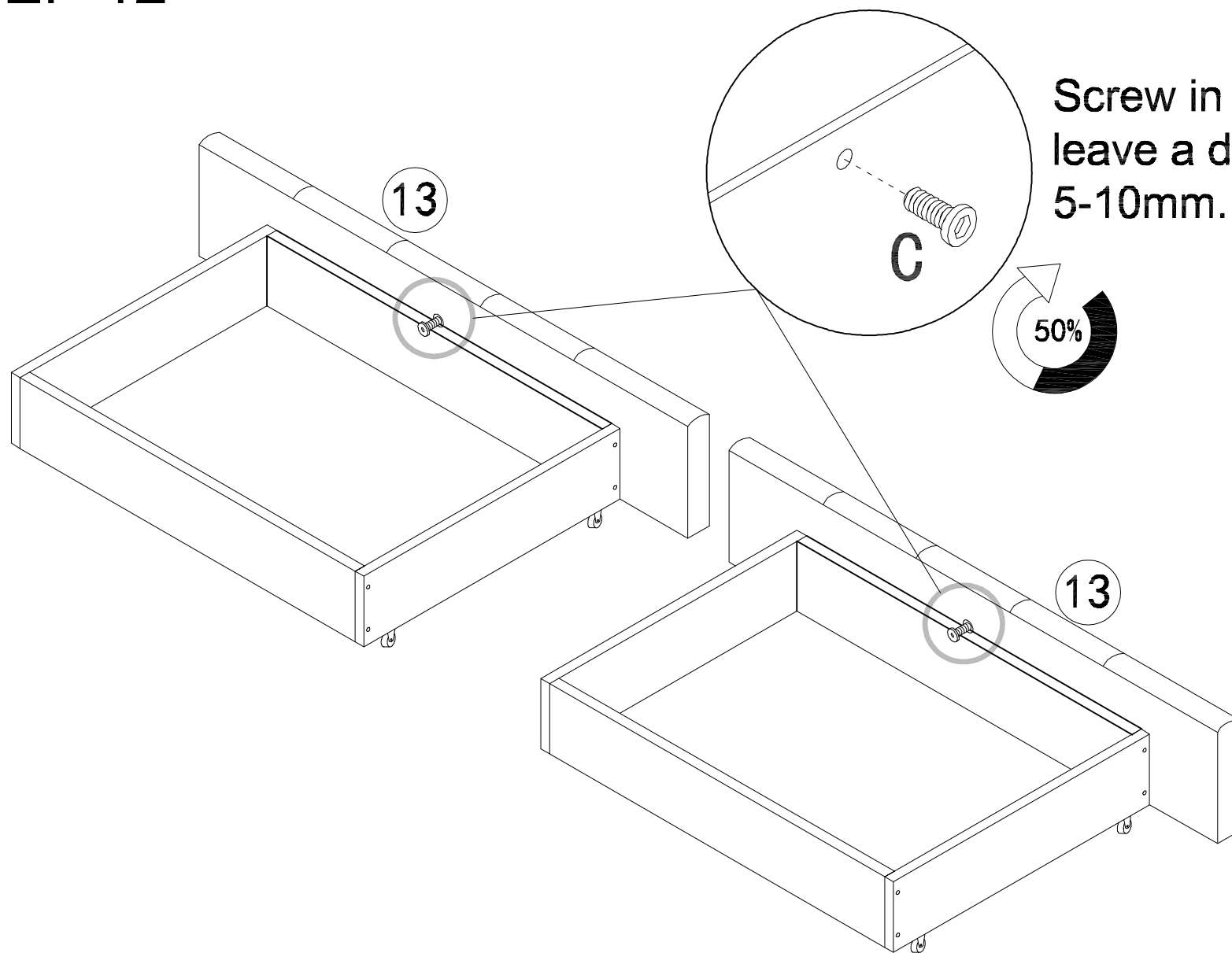
STEP 11



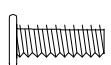
	12 x 16 PCS
	H x 64 PCS
	I x 1 PC

x4

STEP 12



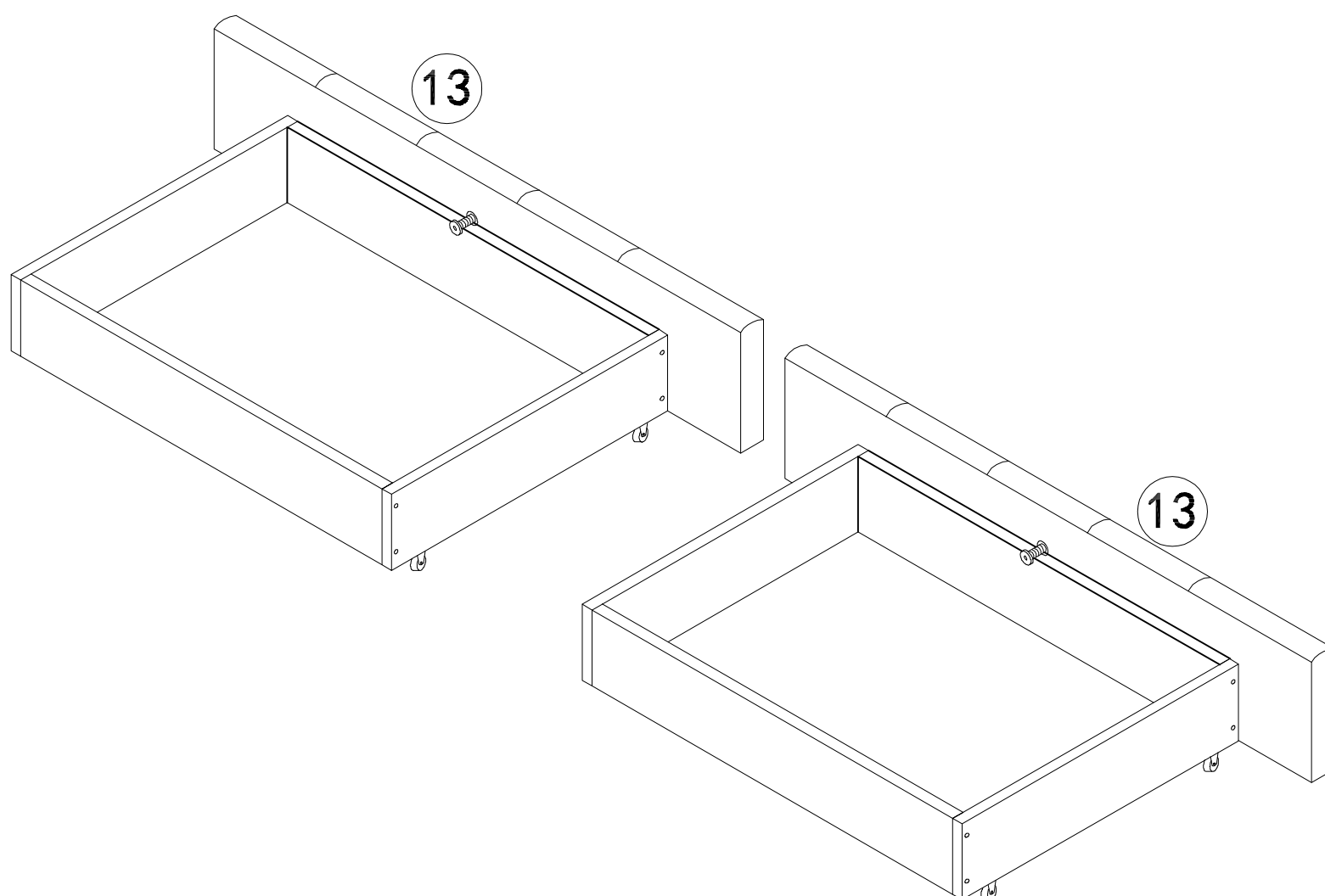
x2



C x4PCS

STEP 13

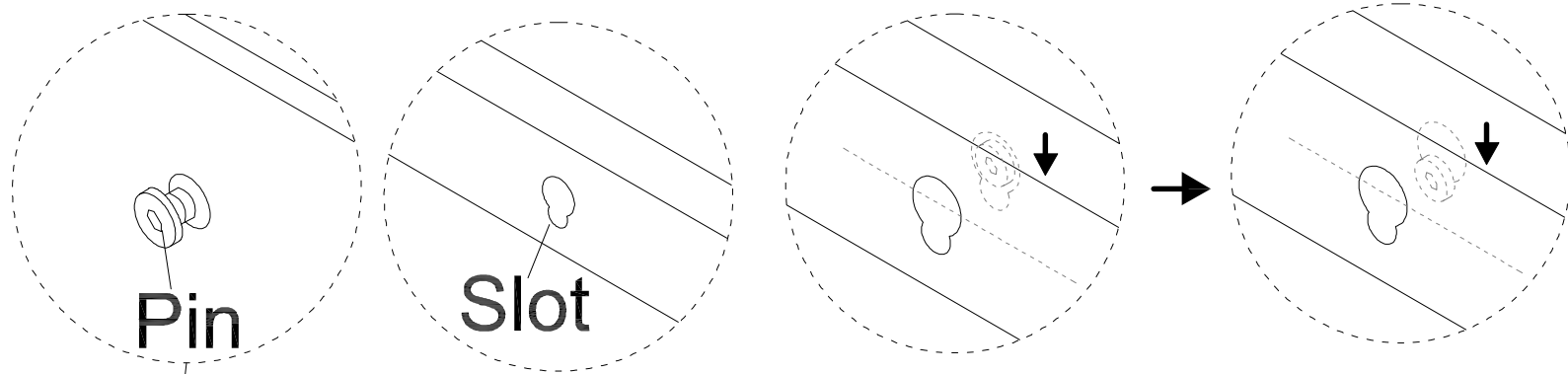
DRAWER ASSEMBLE COMPLETE



x2

STEP 14

Drawer panel screw hang into side cross beam hole.



There is a screw head on the drawer board. Hang them in the hole as shown in the figure.

