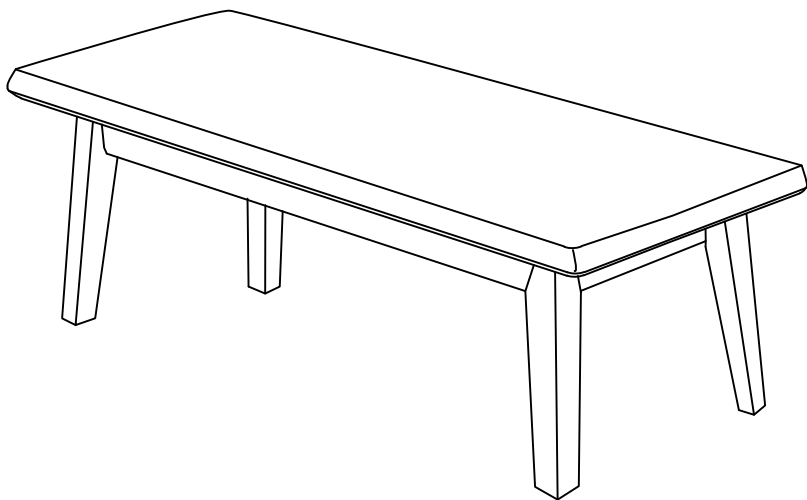


# INSTRUCTION MANUAL



## ! CARE & MAINTENANCE

### Please keep this instruction for your future reference.

- Be careful when assembly, avoid hurting the paint of the bench.
- Clean the bench with lukewarm water, mild detergent & soft cloth.
- Firmly secure all bolts before use, do not use any part of this item as a step ladder.
- Reconfirm that all bolts, screws, and nuts are secure every 90 days.
- Do not use or store this item in the proximity of open flame or flammable/combustible chemicals.
- Be aware that some parts are heavy and have sharp edges.
- Do not overtighten screws. (Insert all screws before tighten screws.)

## TOOLS REQUIRED



ALLEN WRENCH  
(PROVIDED)



BENCH  
220 LBS  
CAPACITY



1 PERSON  
ASSEMBLY

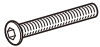


UP TO 30 MIN.  
ASSEMBLY

## HARDWARE

1

BOLT  
M8 x 50mm



8 PCS

2

SPRING  
WASHER M8



8 PCS

3

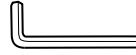
WASHER M8



8 PCS

4

ALLEN  
WRENCH

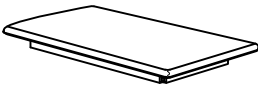


1 PC

## PARTS

A

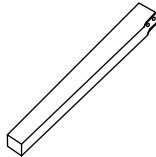
BENCH TOP  
WITH APRON



1 PC

B

BENCH LEG



4 PCS

## LEG PROTECTION ACCESSORY

P1

FELT PAD

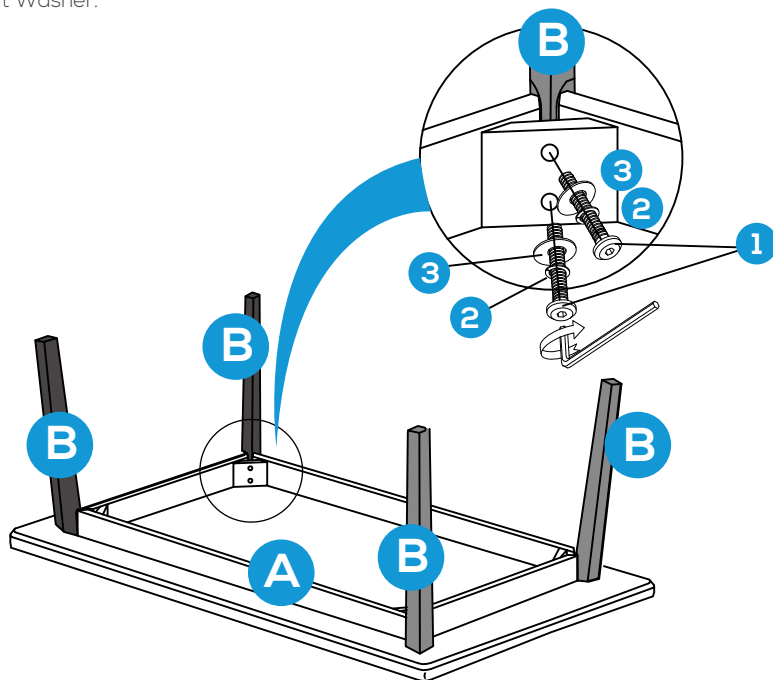


4 PCS

## PRODUCT ASSEMBLY

1

Place Part A Cushion Top upside down, attach Part B Legs to Part A Table Top with 8 pcs of Hardware 1 Bolt, 8 pcs of Hardware 2 Spring Washer and 8 pcs of Hardware 3 Flat Washer.



2

Tighten all the bolts again to ensure the Bench is stable enough to use.

