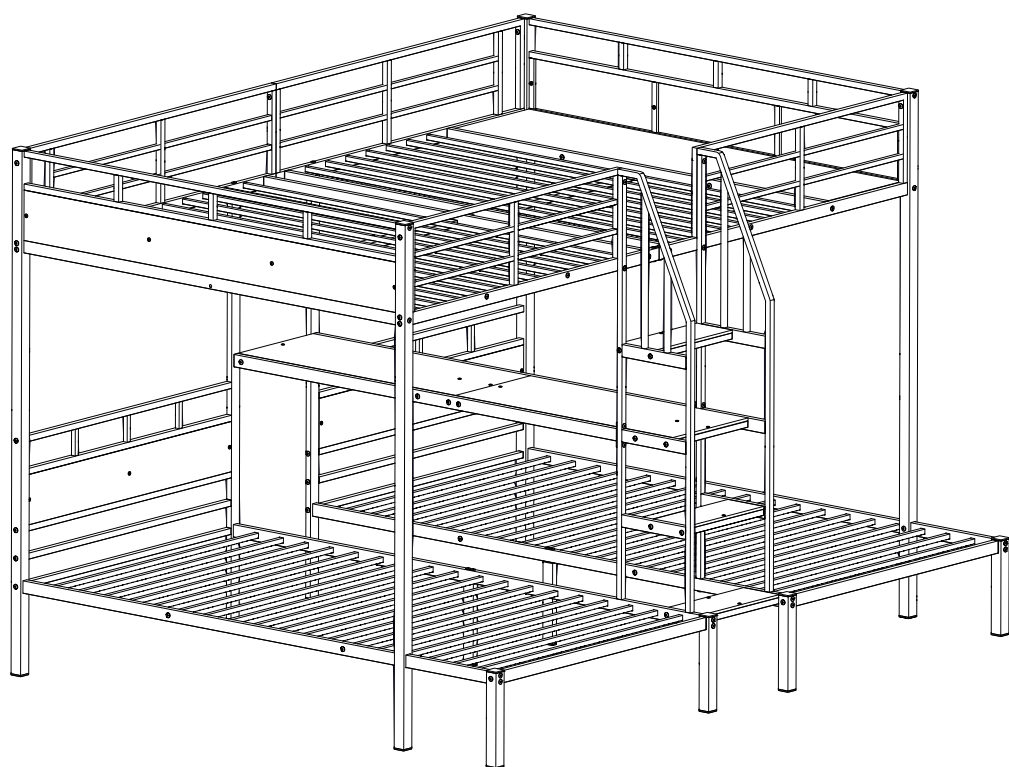


# Assembly instructions

## Product code: BW00244AAB

Queen over (Twin + Twin)



### SAFETY WARNINGS AND GENERAL NOTES:

1. Follow the information on the warnings on the bunk bed end structure and on the carton. Do not remove the warning label from the bed.
  2. Always use the recommended size mattress on mattress support, or both, to help prevent the likelihood of entrapment or falls.
  3. Do not allow children under 6 years of age to use the upper bunk.
  4. Periodically check and ensure the guardrail, ladder and other components are in their proper position, free from damage, and all connectors are tight.
  5. Do not allow horseplay on or under beds.
  6. Always prohibit jumping on the bed.
  7. Prohibit more than one person on upper bunk.
  8. Always use the ladder for entering and leaving the upper bunk.
  9. Do not use substitute parts. Contact the manufacturer or dealer for replacement parts.
  10. Use of a night-tight may provide added safety precaution for a child using the upper bunk.
  11. Always use guardrails on both long sides of the upper bunk.
  12. If the bunk bed will be placed next to a wall, the guardrail that runs the full length of the bed should be placed against the wall to prevent entrapment between the bed and the wall.
- The use of water or sleep flotation mattresses is prohibited.
13. **STRANGULATION HAZARD**-Never attach or hang items to any part of the bunk bed that are not designed for use with the bed ; for example, but not limited to, hooks, belts and jump ropes.
  14. Keep these instructions for future reference.
  15. We recommend assembling your bunk bed on the shipping carton to protect your floor or carpet.
  16. Be certain all staples are out of the box before beginning assembly on the shipping carton.
  17. USE ONLY MATTRESSES WHICH ARE AS THE TABLE BELOW ON UPPER AND ON LOWER BUNKS.

#### Down bed

Bed type	Length	Width	Thickness
Twin Standard	74" - 75"	38 ½"	8" max

#### Up bed

Bed type	Length	Width	Thickness
Queen Standard	79" -80"	60 ½"	6" max

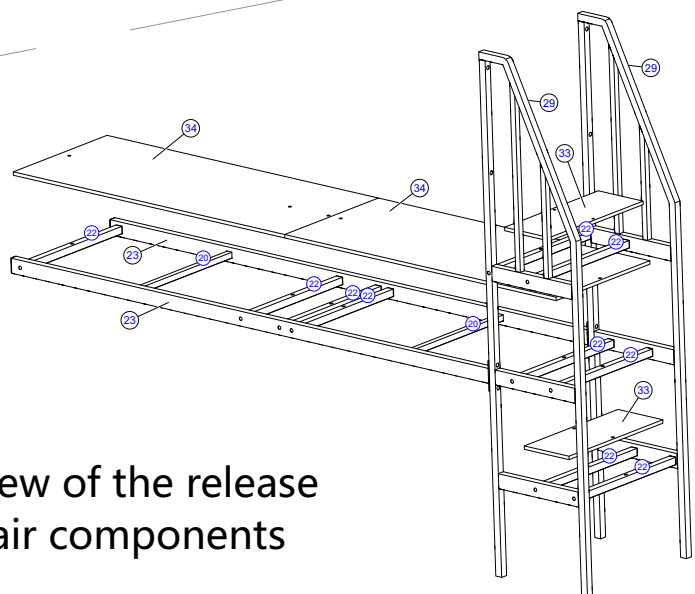
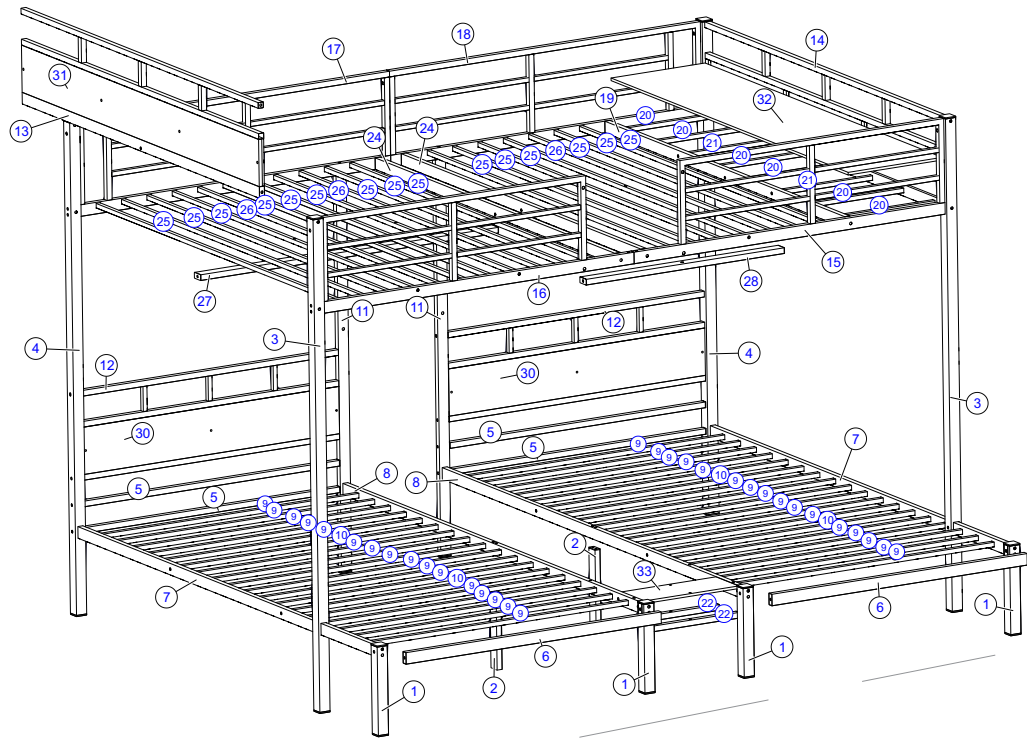
(A storage board has been added, so you can put both the twin mattress and the twin xl mattress, and there is also an additional storage space.)

18. SURFACE OF MATTRESS MUST BE AT LEAST 5"(127MM) BELOW THE UPPER EDGE OF GUARDRAILS.

19. Replacement Parts:



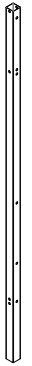

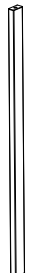
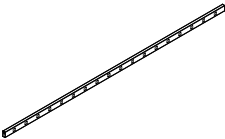
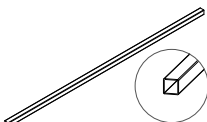





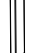
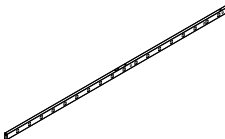
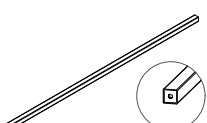

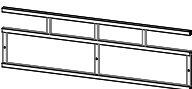
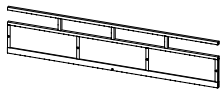
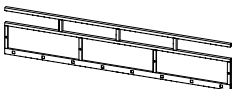
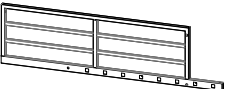
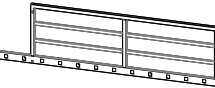
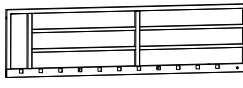
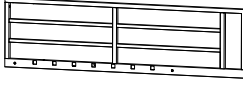
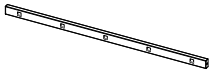
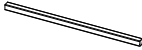
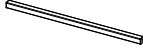
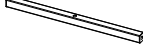
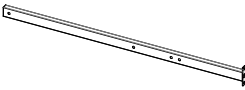




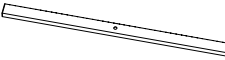
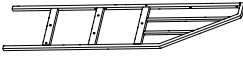
Replacement Parts, including additional guardrails, may be obtained from any of our ( Shenzhen Yuefeng Zhiqi Technology Co., Ltd) dealers.

# Release preview of bed components



# Preview of the release of stair components

# List of components

							
1-4pcs					7-2pcs	9-32pcs	
							
2-2pcs	3-2pcs	4-2pcs	5- 4pcs	6-2pcs	8-2pcs	10-4pcs	11-2pcs
							
12-2pcs	13-1pcs	14-1pcs	15-1pcs				
							
16-1pcs	17-1pcs	18-1pcs	19-1pcs				
							
20-8pcs	21-2pcs	22-12 pcs	23-2pcs				
							
24-2pcs	25- 15pcs	26-3pcs	27-1pcs				
							
28-1pcs	29-2pcs						

# Board list

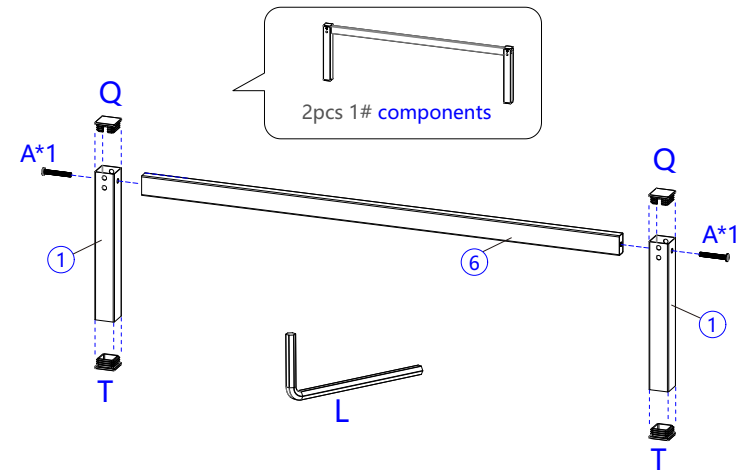
30-2pcs		31-2pcs	
32-1pcs	33-3pcs	34-2pcs	

**A total of 10pcs**

# HARDWARE LIST

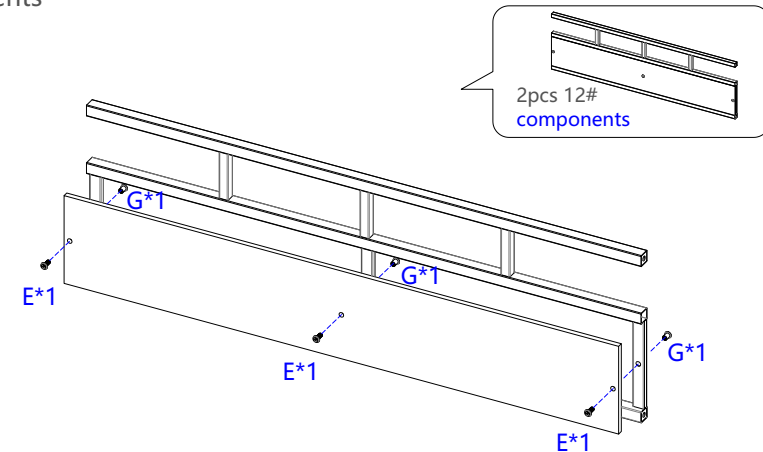
M8*55-62pcs	M8*30-48pcs	M8*15-30pcs	ΦM8*16-16pcs	M6*15-14pcs	M6*25-12pcs	ΦM6*10-26pcs
40*40F-8pcs	40*40FQ-8pcs	20*40-4pcs	18*60-3pcs	M5*25-2pcs	M4*25-2pcs	2pcs

Step 1: Use hardware A, F, Q, L to connect #1 and #6 together. Get 2 1# components



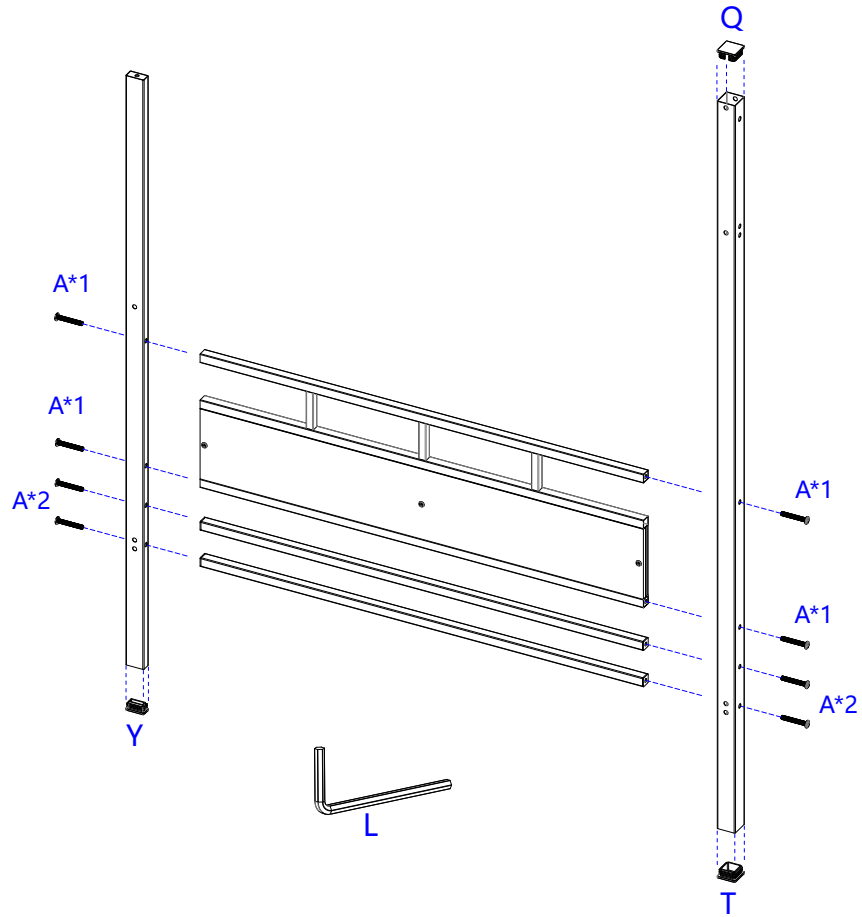
6-2pcs	1-4pcs	40*40F-4pcs	40*40FQ-4pcs	M8*55-4pcs



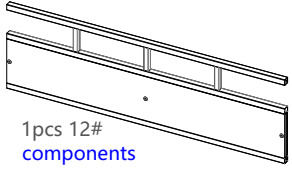

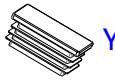
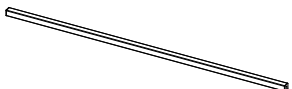


Step 2: Use hardware E, G, M to connect #12 and #30 together. Get 2 12# components



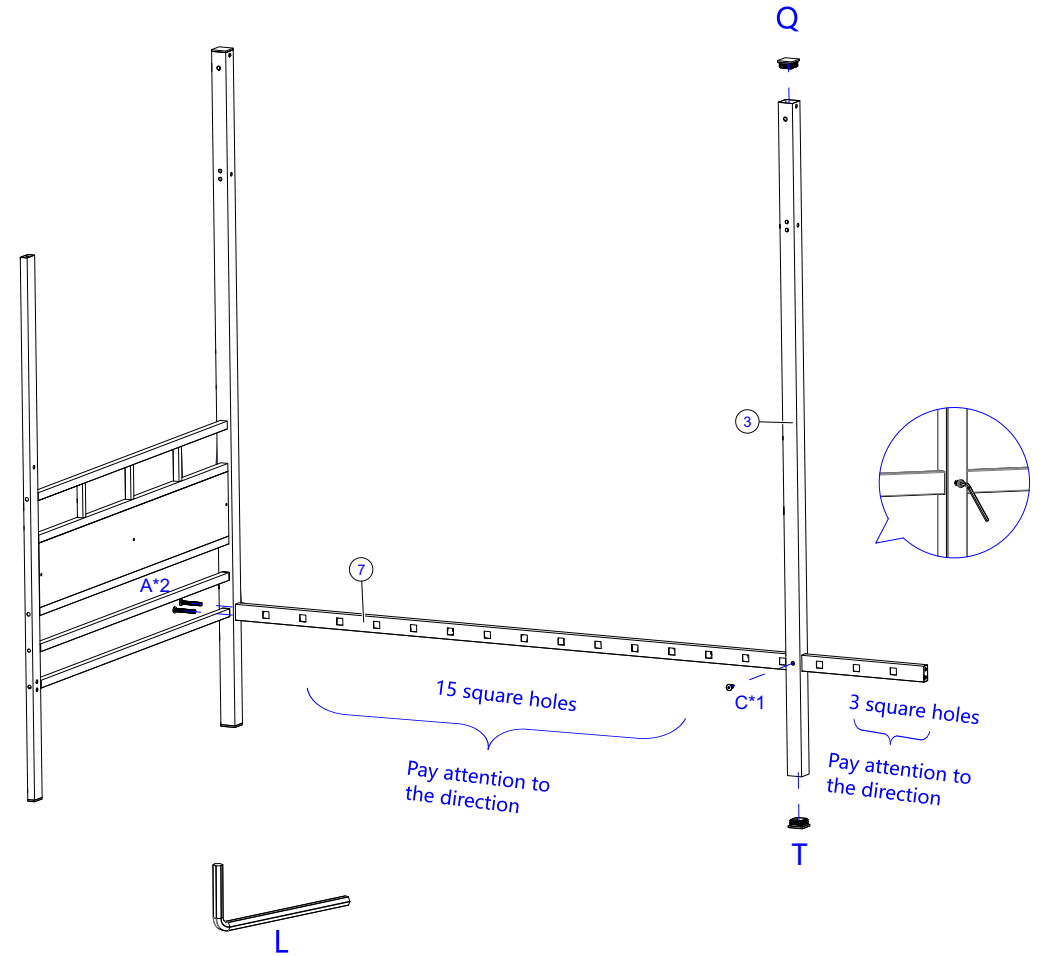
12-2pcs	30-2pcs	M6*15-6pcs	ΦM6*10-6pcs	M



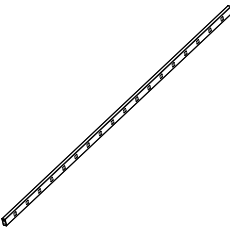




Step 3: Use hardware A,Q, Y ,F, L to connect #4,#11,#5 and #12 components together.



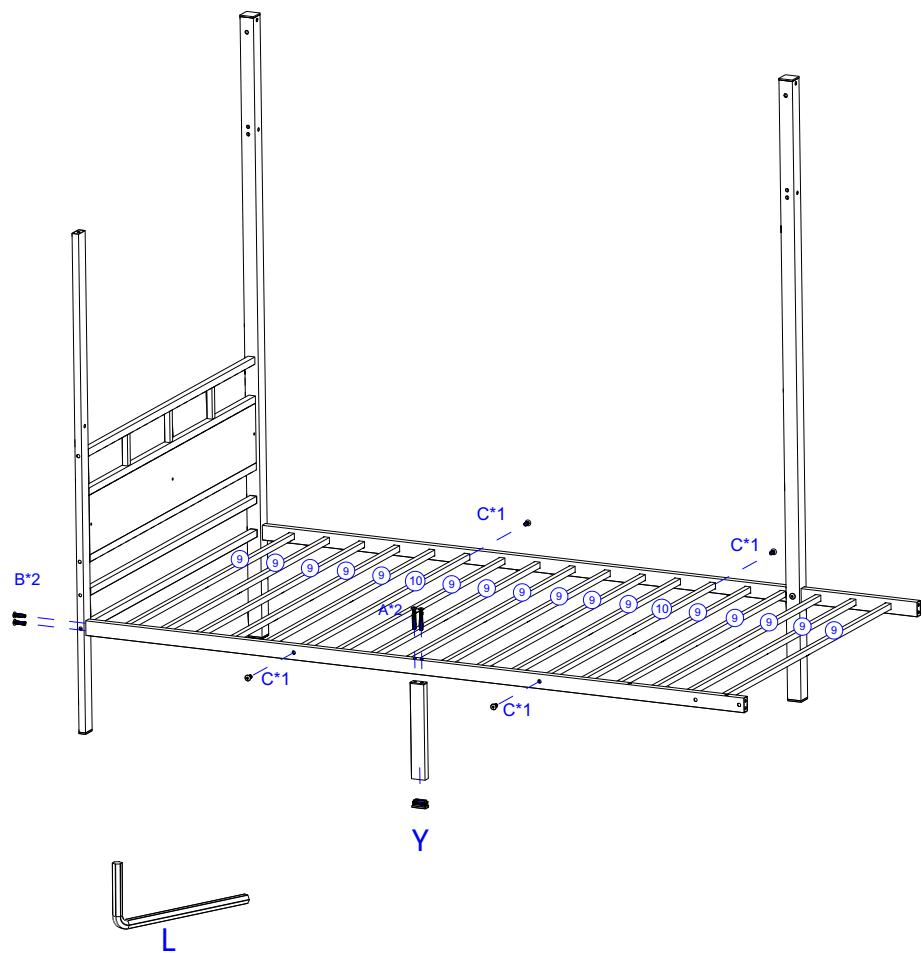
 4-1pcs	 11-1pcs	 1pcs 12# components	 T 40*40F-1pcs	 Y 20*40-1pcs
		 5-2pcs	 Q 40*40FQ-1pcs	 A M8*55-8pcs


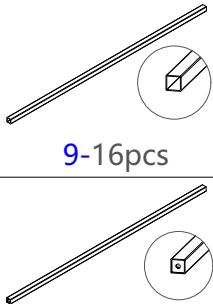
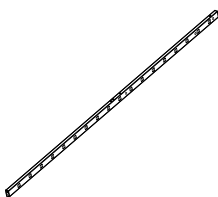
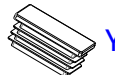


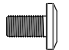
Step 4: Use hardware A,Q, C ,F, L to connect #3, and #7 together. Pay attention to the installation direction of hole #7



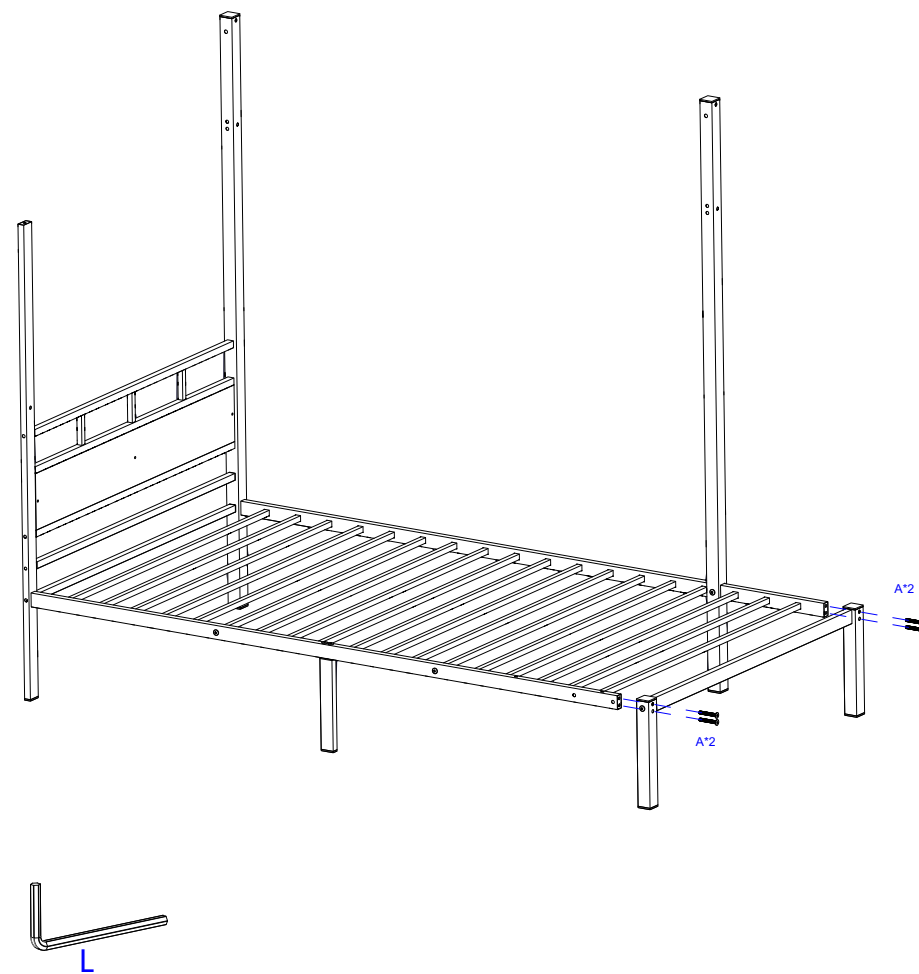
	 3-1pcs	 7-1pcs	 T 40*40F-1pcs	 A M8*55-2pcs
			 Q 40*40FQ-1pcs	 C M8*15-1pcs

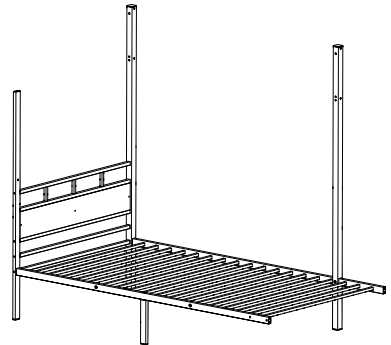


Step 5: Use hardware A, B,C,Y, L to connect #2, #8, #9 and #10 together.



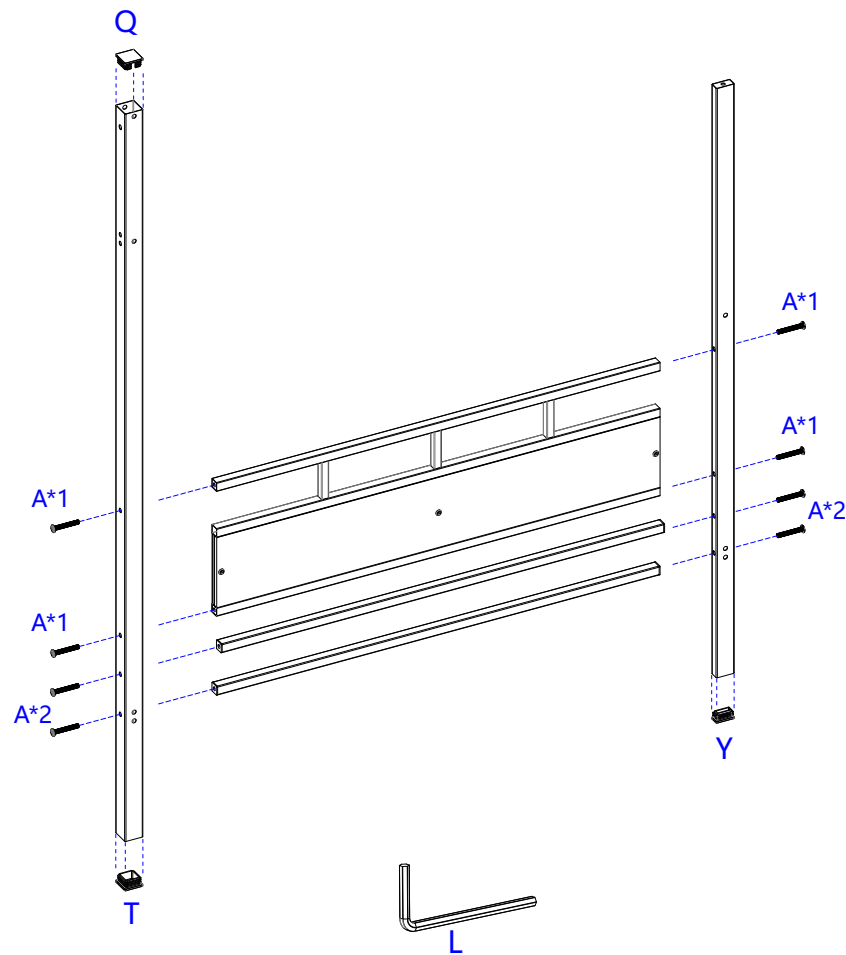
 2-1pcs	 9-16pcs 10-2pcs	 8-1pcs	 20*40-1pcs	 A M8*55-2pcs
			 B M8*30-2pcs	 C M8*15-4pcs



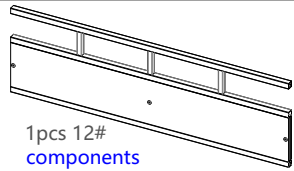


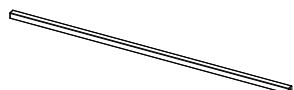


Step 6: Use hardware A, L to connect 1# components together.



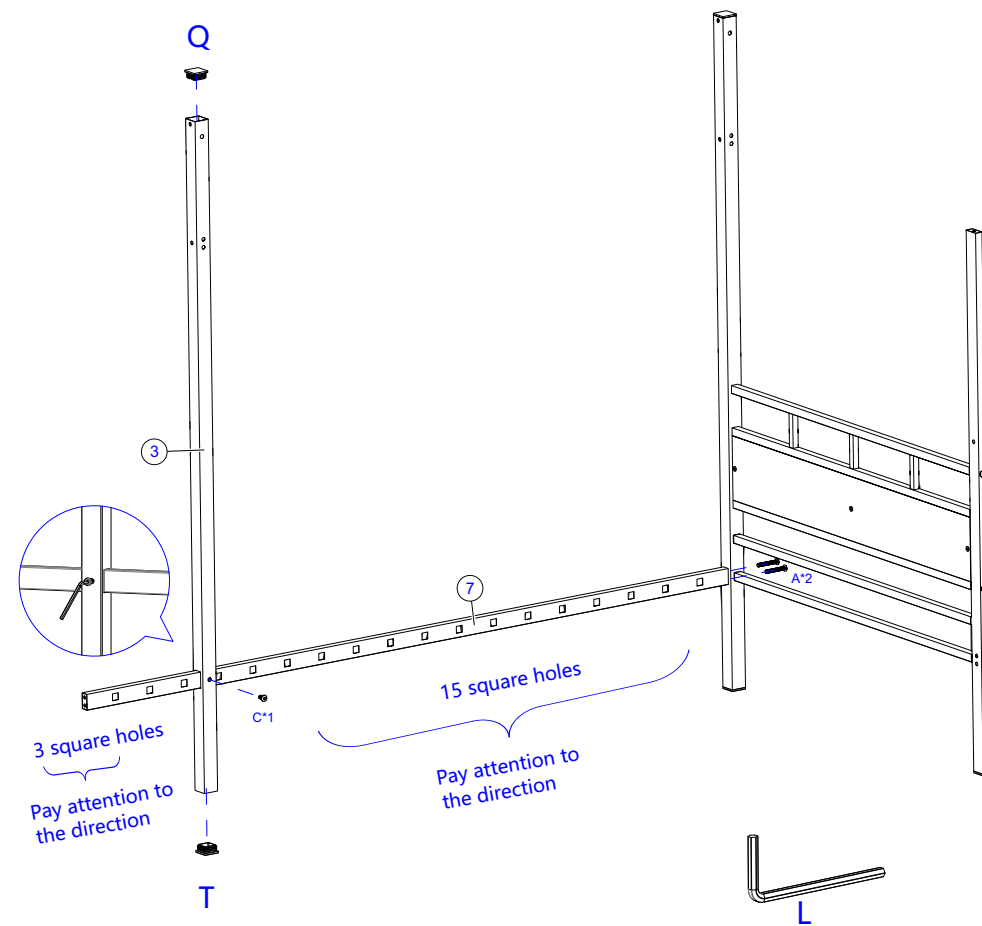
	 1# components	 A M8*55-4pcs
---	--	--



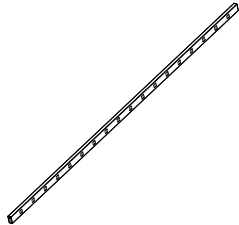




Step 7: Use hardware A,Q, Y, F, L to connect #4,#11,#5 and #12 components together.



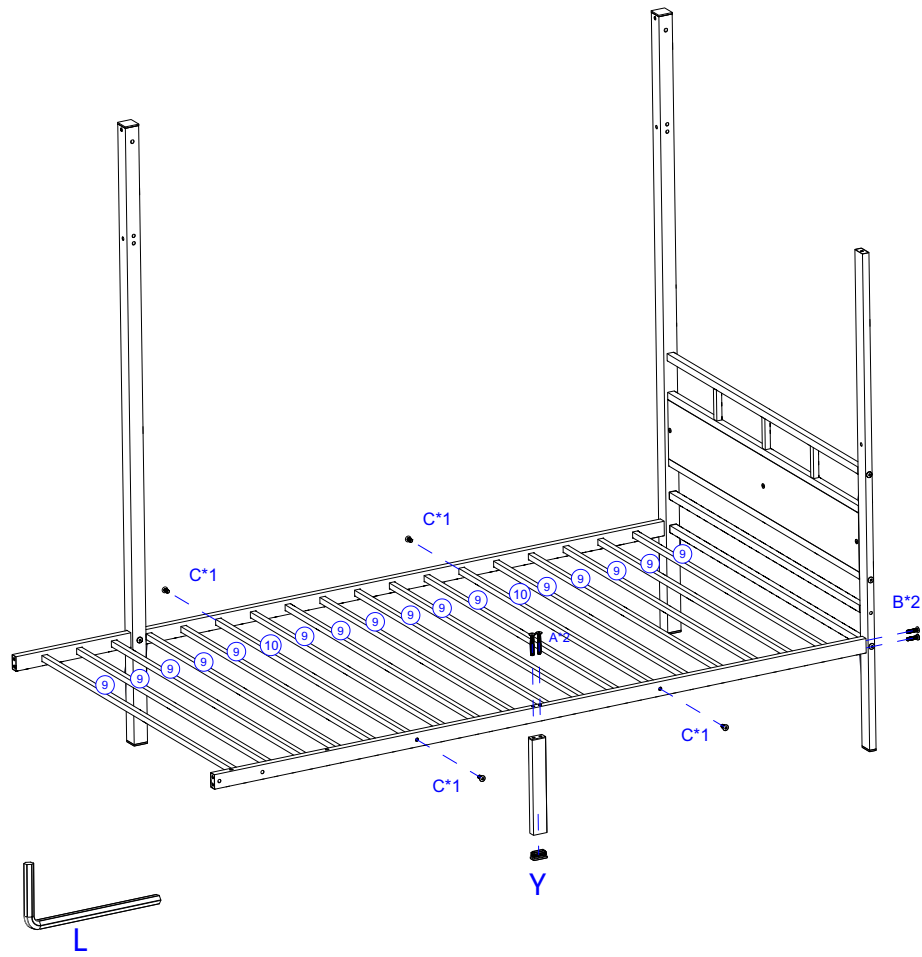
 4-1pcs	 11-1pcs	 1pcs 12# components	 40*40F-1pcs	 20*40-1pcs
		 5-2pcs	 40*40FQ-1pcs	 M8*55-8pcs


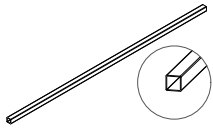
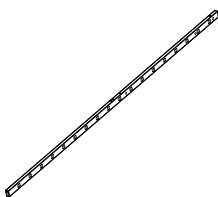
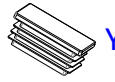

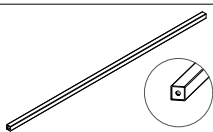

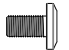
Step 8: Use hardware A,Q, C, F, L to connect #3, and #7 together. Pay attention to the installation direction of hole #7



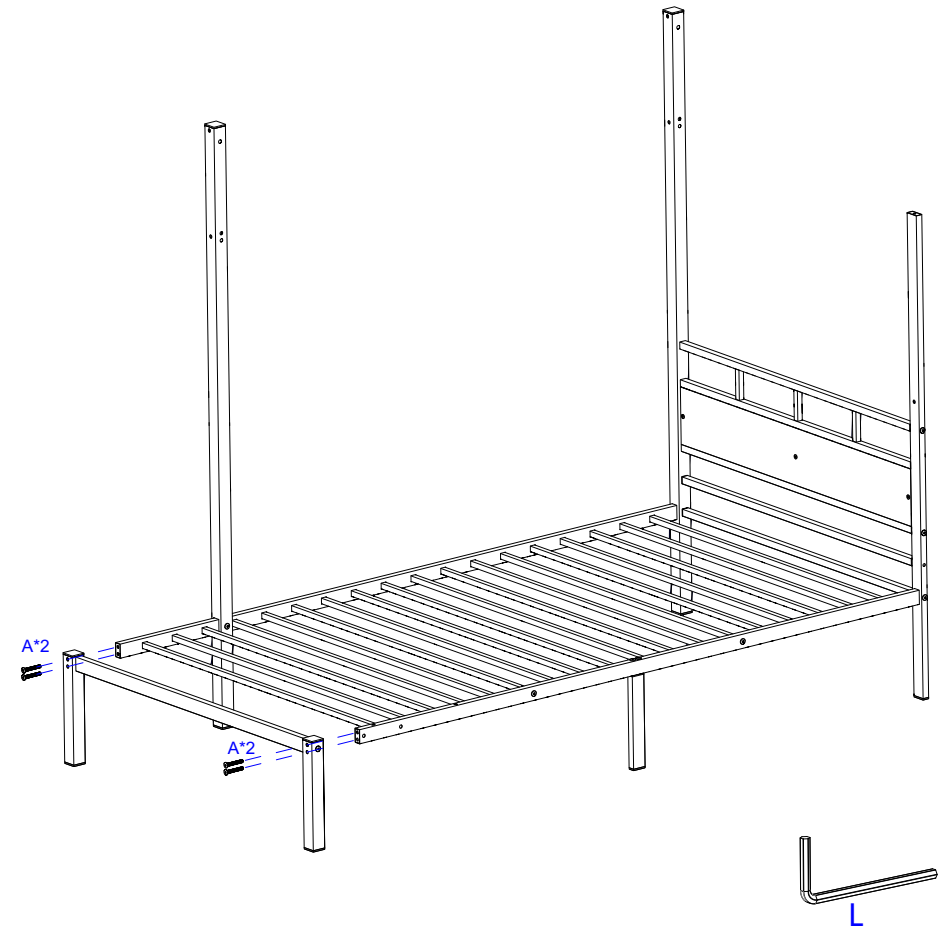
	 3-1pcs	 7-1pcs	 40*40F-1pcs	 M8*55-2pcs
			 40*40FQ-1pcs	 M8*15-1pcs

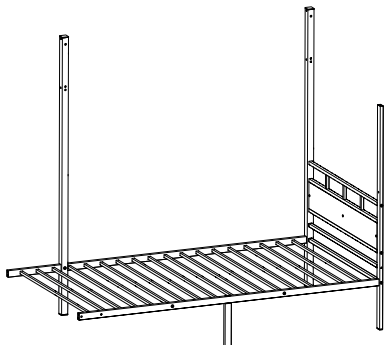


Step 9: Use hardware A, B,C,Y, L to connect #2, #8, #9 and #10 together.



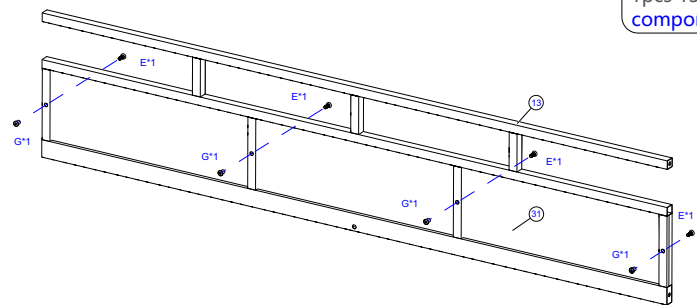
 2-1pcs	 9-16pcs	 8-1pcs	 20*40-1pcs	 A M8*55-2pcs
	 10-2pcs		 B M8*30-2pcs	 C M8*15-4pcs

Step 10: Use hardware A, L to connect 1# components together.



	 1# components	 A M8*55-4pcs
---	--	--

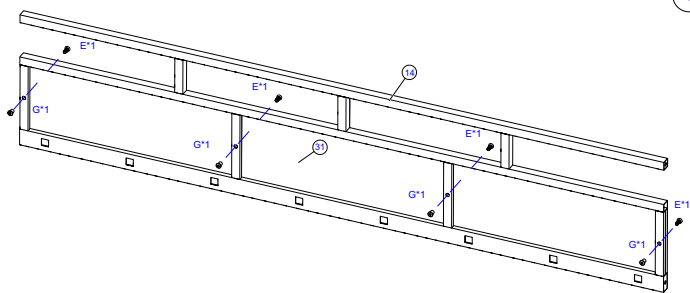
Step 11: Use hardware E, G, M to connect #13 and #31 together. Get 1 13# components



1 pcs 13# components

13-1pcs	31-1pcs	M6*15-4pcs	ΦM6*10-4pcs	

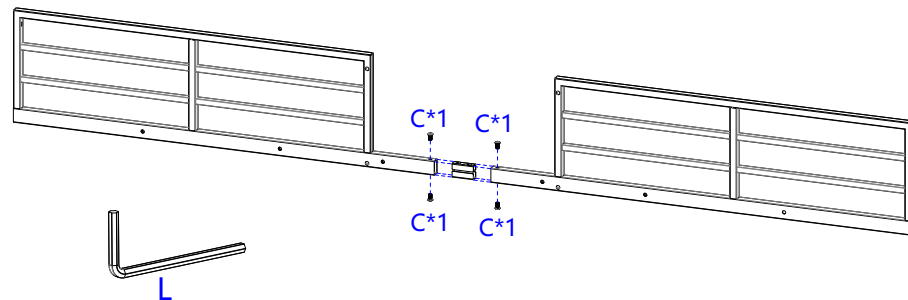
Step 12: Use hardware E, G, M to connect #14 and #31 together. Get 1 14# components



1 pcs 14# components

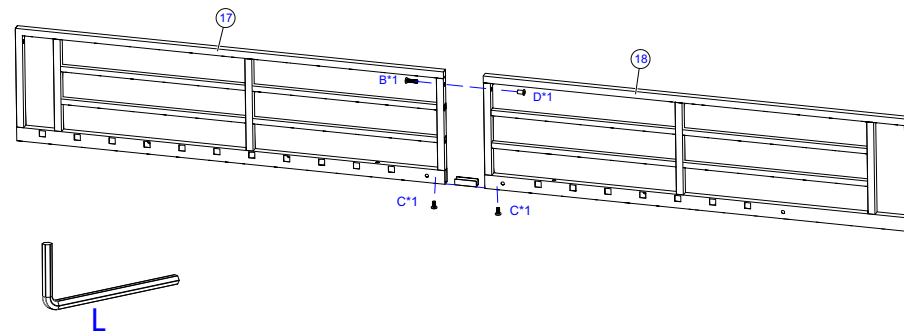
14-1pcs	31-1pcs	M6*15-4pcs	ΦM6*10-4pcs	

Step 13: Use hardware C, H, L to connect #15 and #16 together.



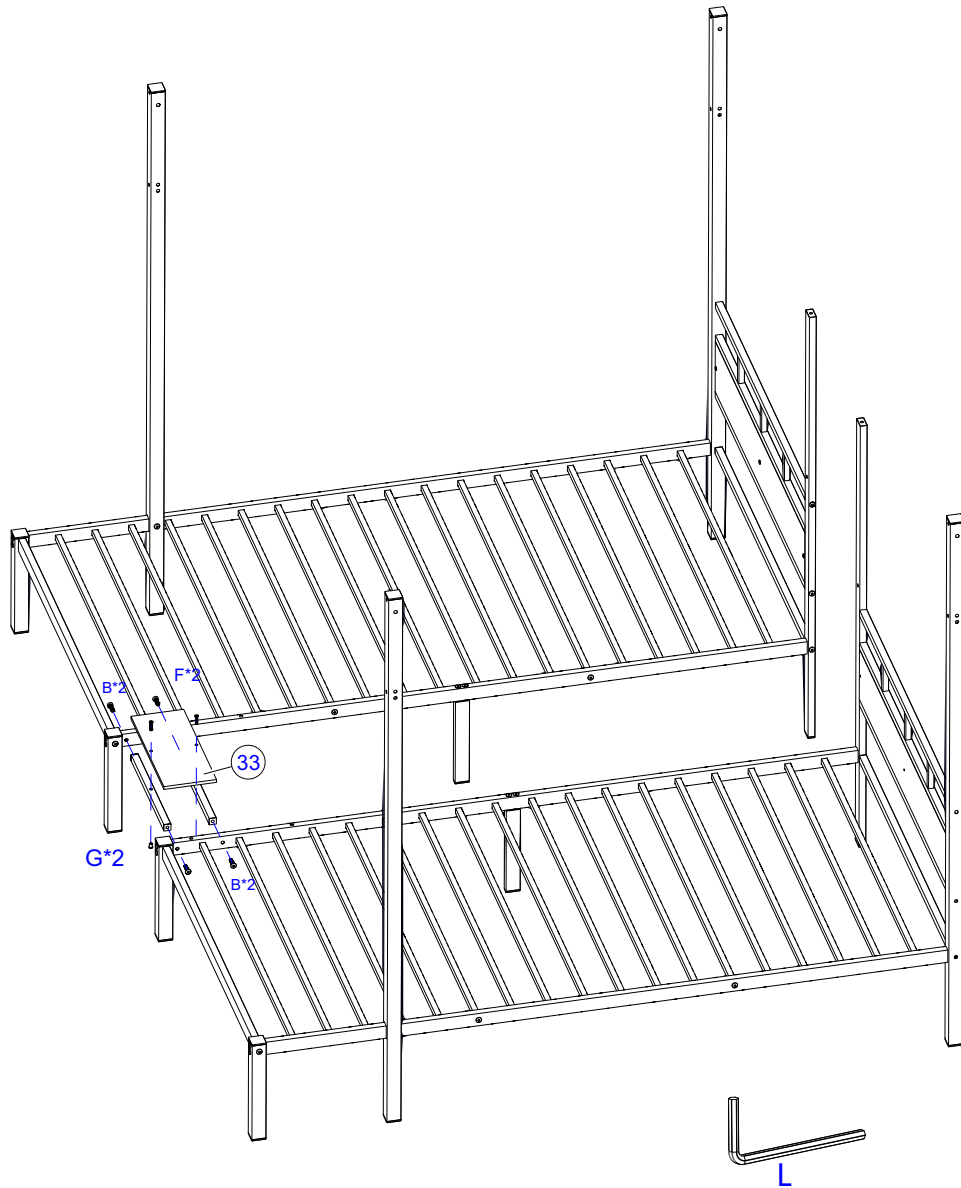
15-1pcs	16-1pcs	18*60 -2pcs	M8*15-4pcs

Step 14: Use hardware B, C, D, H, L to connect #17 and #18 together.



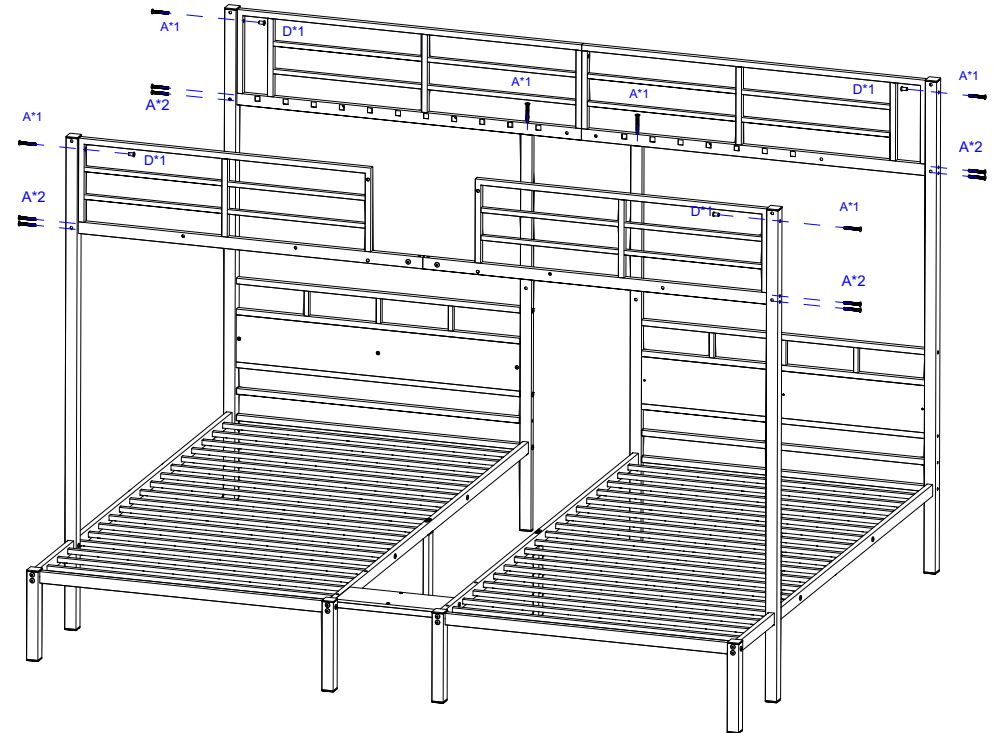
17-1pcs	18-1pcs	18*60 -1pcs	M8*30-1pcs	ΦM8*16-1pcs	M8*15-2pcs

Step 15: Use hardware B, F, M, L, G to connect #33 and #22 together.



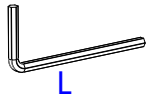
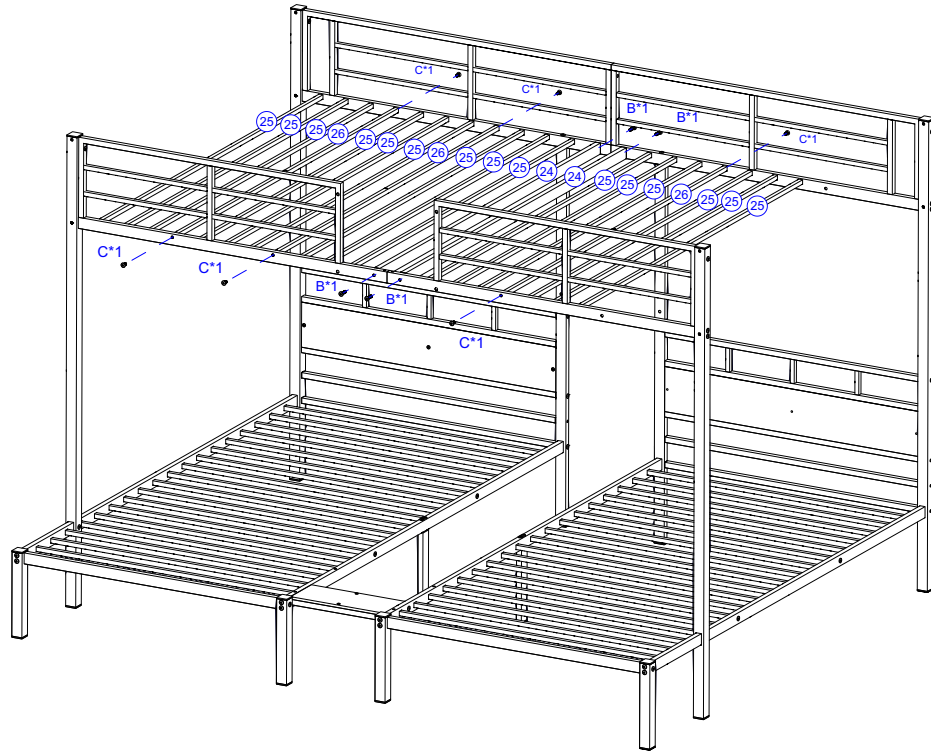
33-1pcs	22-2pcs	B M8*30-4pcs	F M6*25-2pcs	G ΦM6*10-2pcs	M

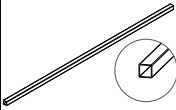
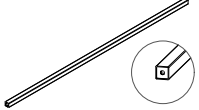
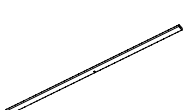

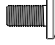

Step 16: Use hardware A, D and L to connect the previously assembled shelves #15, #16, #17 and #18



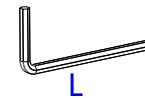
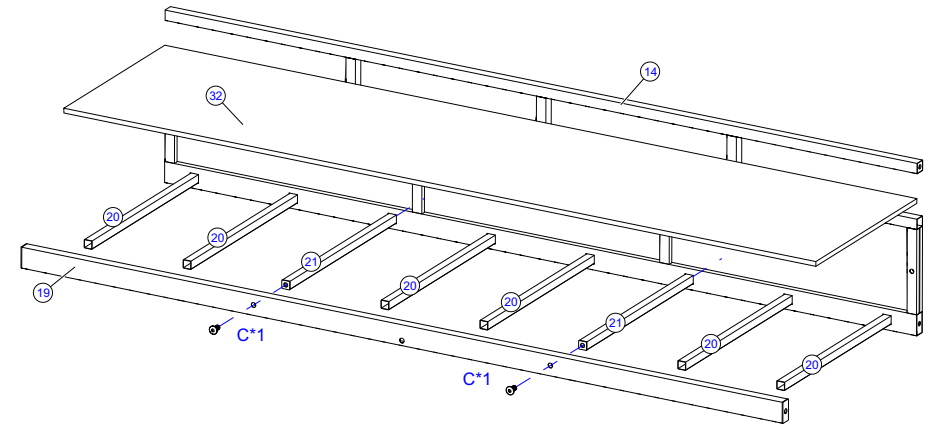
L	L	A M8*55-14pcs	D ΦM8*16-4pcs

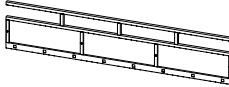
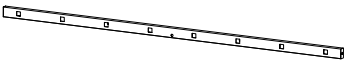
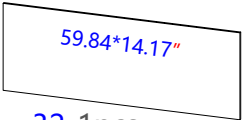
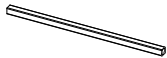
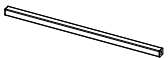

Step 17: Insert #9 and #10 into the corresponding hole in order, and use hardware C and L to tighten the screws while inserting to prevent them from falling off.



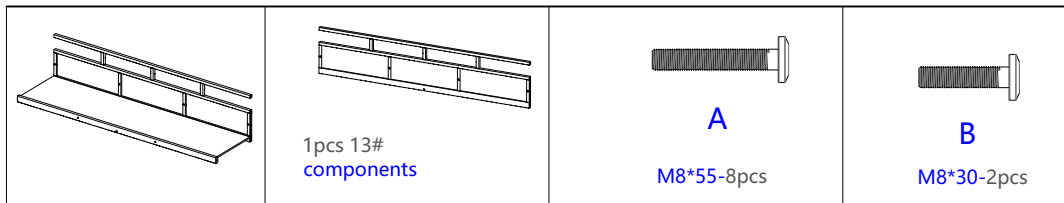
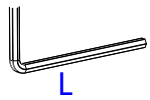
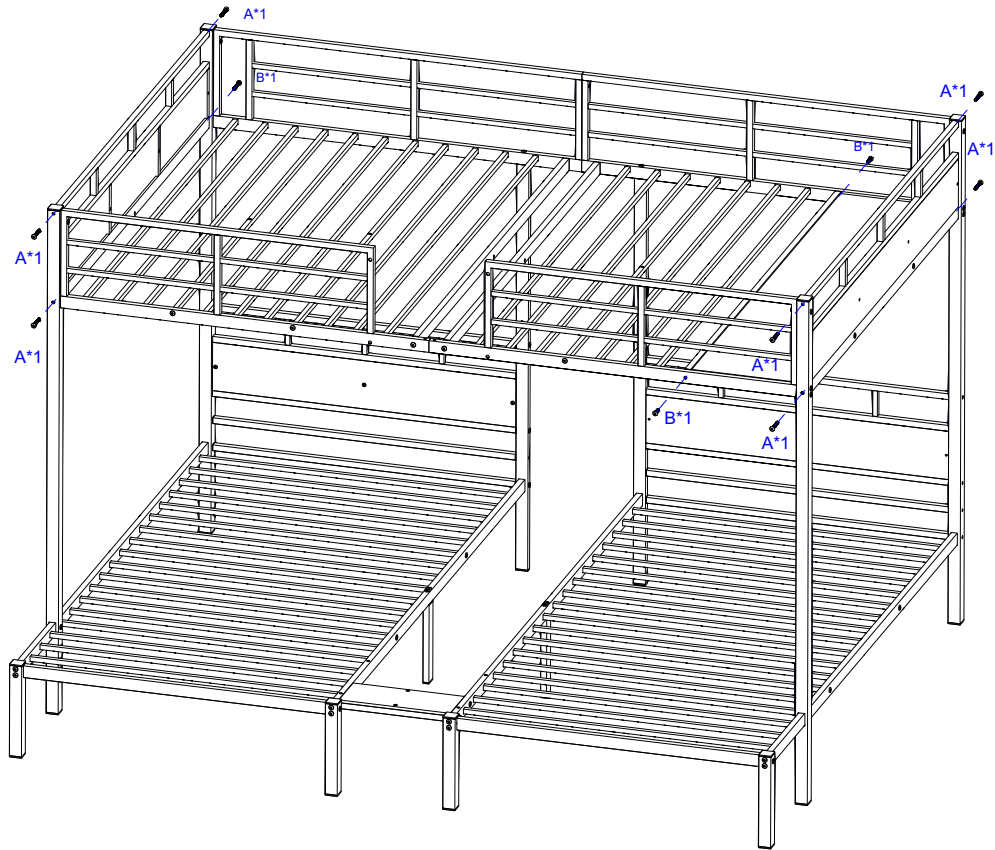
 25-15 pcs	 26-3 pcs	 24-2 pcs	 B M8*30-4 pcs	 C M8*15-6 pcs	 M
---	---	---	---	---	---

Step 18: Use hardware L, C to connect #32, #19, #20, #21 and #14 components together.

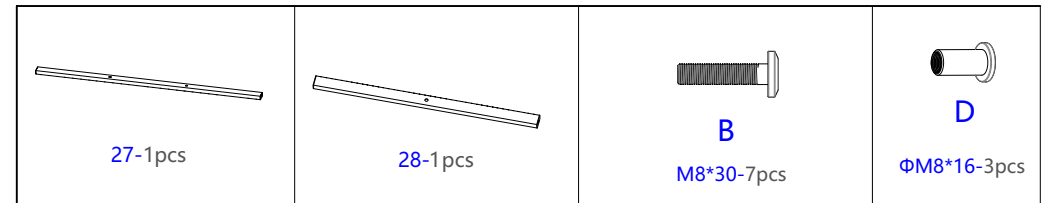
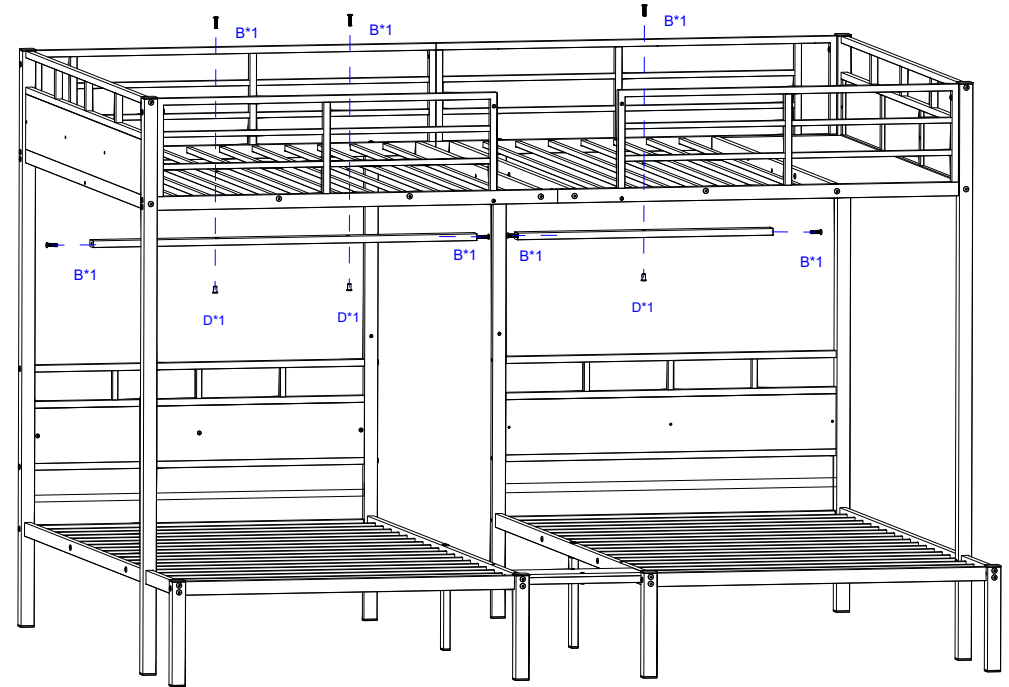


 1 pcs 14# components	 19-1 pcs	 59.84*14.17" 32-1 pcs
 20-6 pcs	 21-2 pcs	 C M8*15-4 pcs

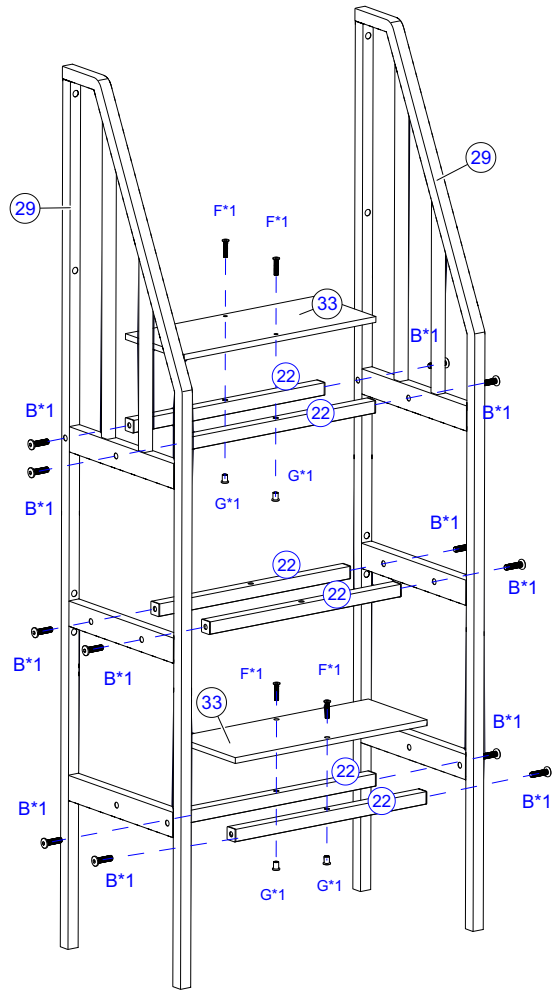
Step 19: Use hardware A, B and L to connect step 18 components with #13 components.



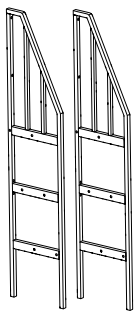
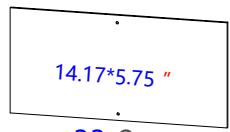





Step 20: Use hardware B, D to connect #26,#27,#28 and #13 components together.



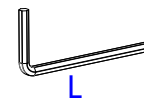
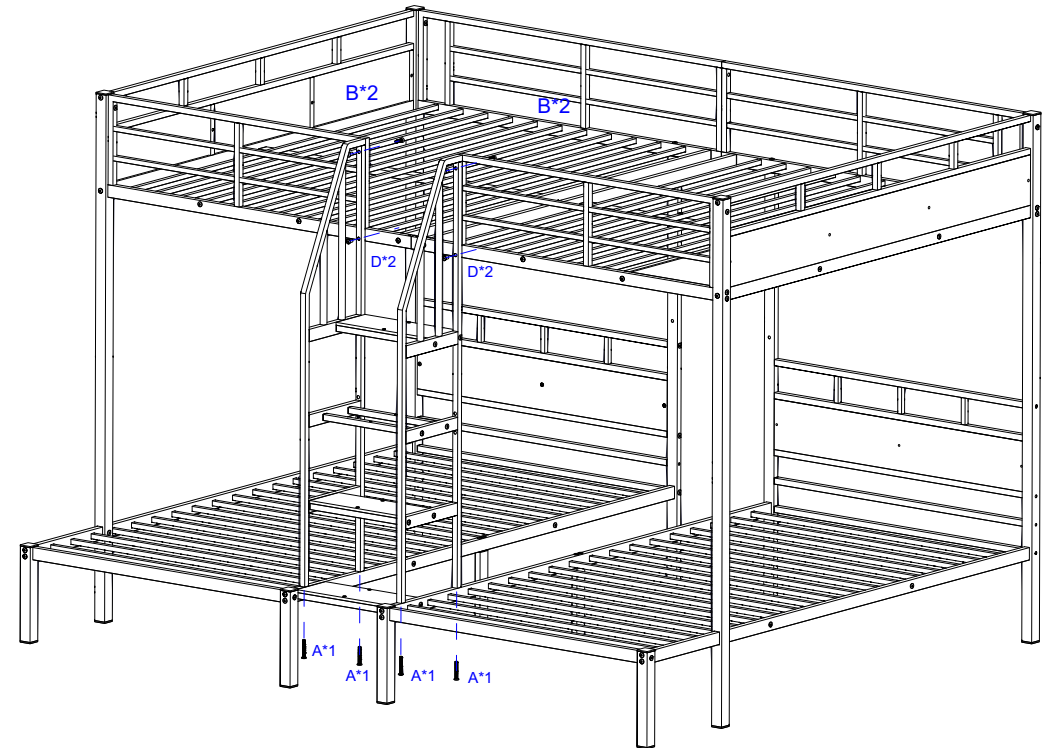
Step 21: Use hardware F, B, M, G, L to connect #33, #22 and 2 pcs Stair bracket together. Get 1pcs Stair components



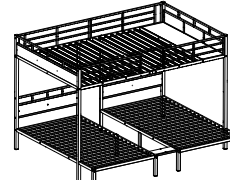



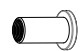
L

 <p>2 pcs Stair bracket</p>	 <p>14.17*5.75" 33-2 pcs</p>		 <p>B M8*30-12 pcs</p>	 <p>M</p>
	 <p>22-6 pcs</p>		 <p>F M6*25-4 pcs</p>	 <p>G ΦM6*10-4 pcs</p>

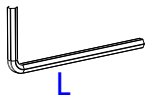
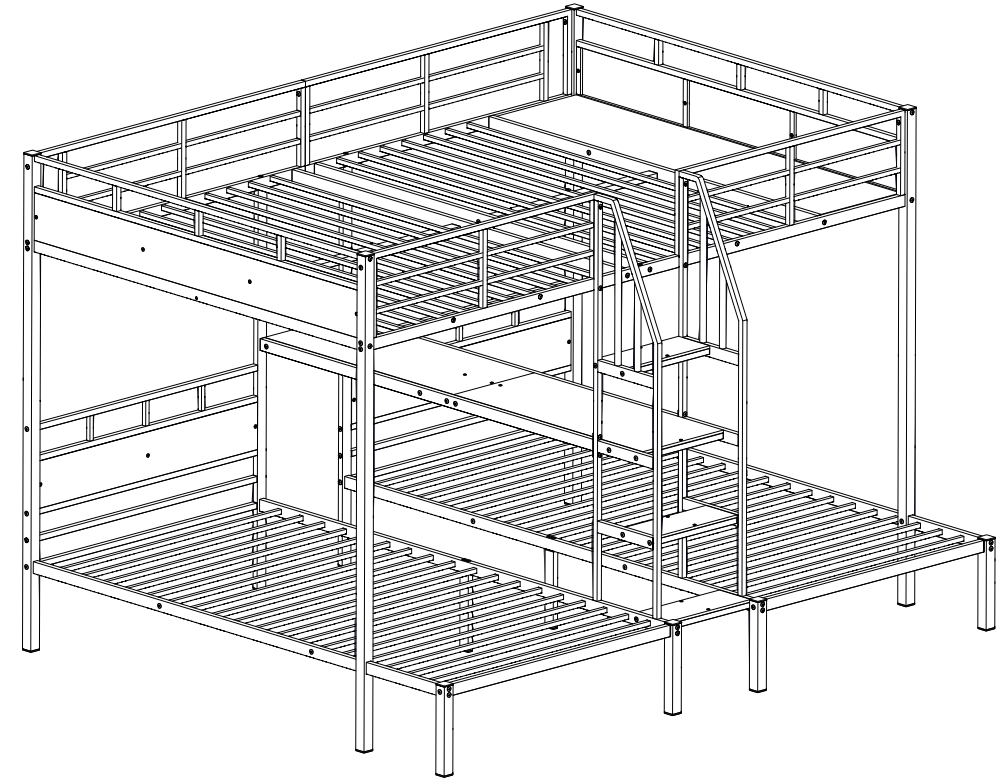
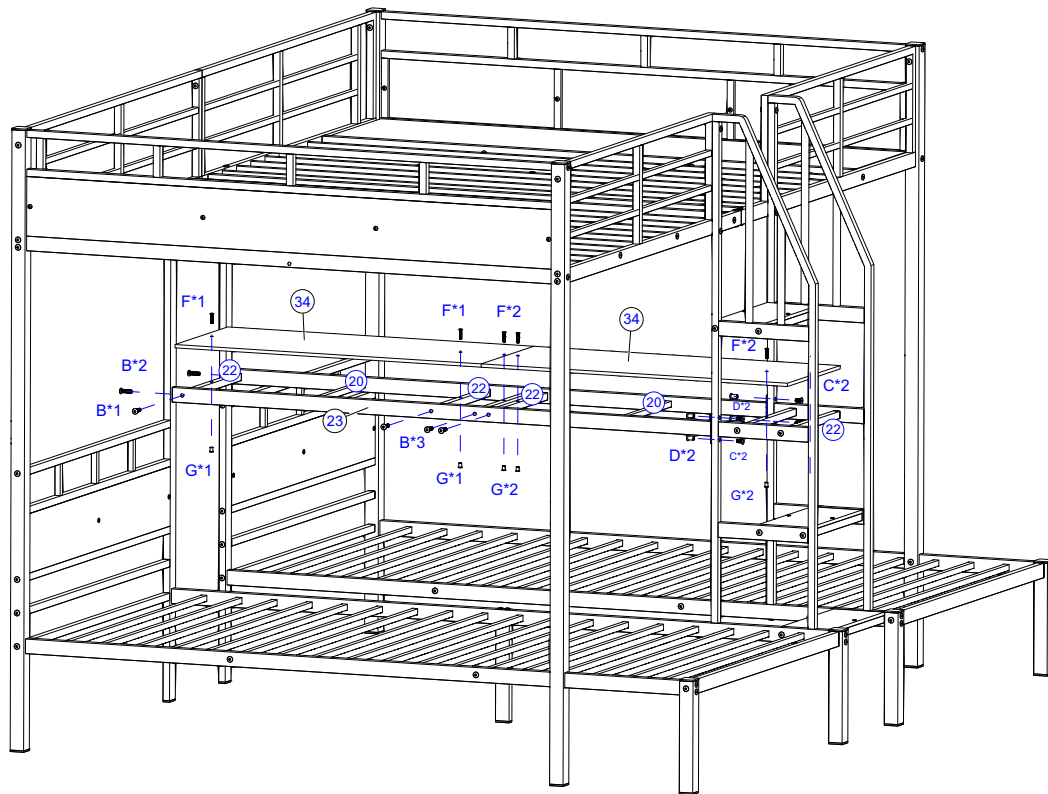
Step 22: Use hardware A, B, D, L to connect The stair components are combined with the bed connection.



L

		 <p>A M8*55-4 pcs</p>	 <p>B M8*30-4 pcs</p>	 <p>D ΦM8*16-4 pcs</p>
---	---	--	--	---

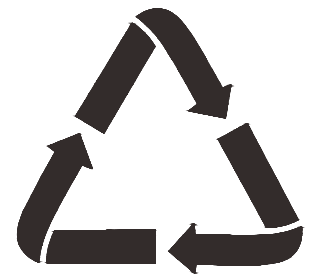
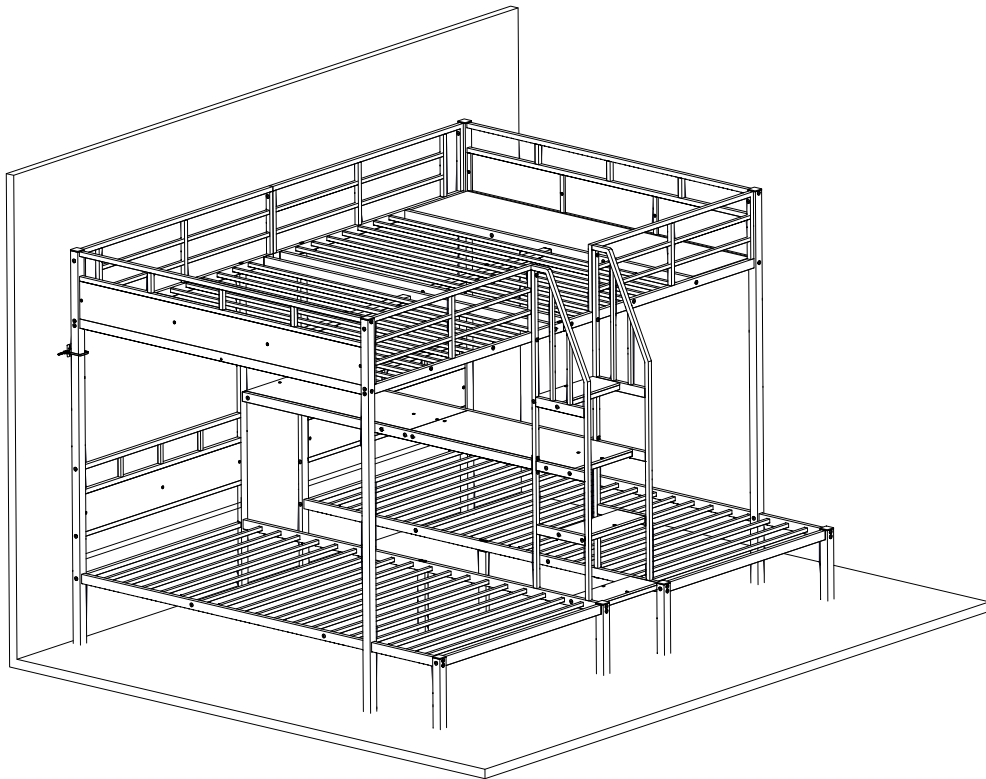
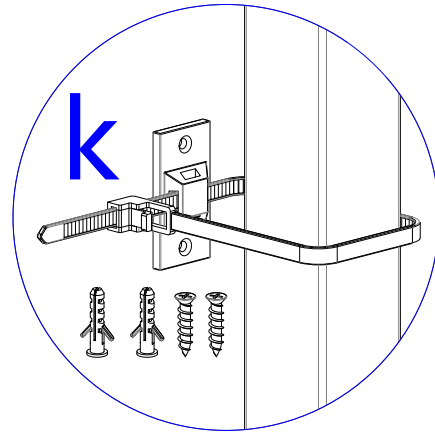
Step 23: Use hardware B,C,D,F,G,M, L to connect #23, #34, #20 and #22 together.



<p>23-2pcs</p>	<p>20-2pcs</p>	<p>C M8*15-4pcs</p>	<p>D ΦM8*16-4pcs</p>	<p>M</p>
<p>34.86*14.17"</p> <p>34-2pcs</p>	<p>22-6pcs</p>	<p>B M8*30-10 pcs</p>	<p>F M6*25-6pcs</p>	<p>G ΦM6*10-6pcs</p>

Note: Tighten all the steps before use, thank you.

Fix the wall, prevent movement,  
selective installation



Recyclable garbage