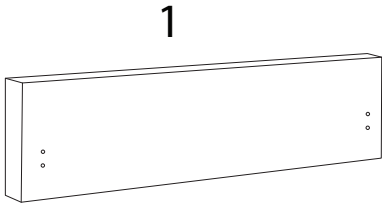


Assembly instructions for step 1/6:

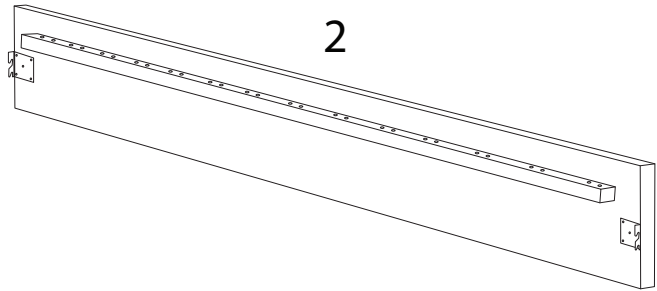
- Tools:** An icon in a circle shows an Allen key and a wrench. A power drill icon is crossed out with a diagonal line, indicating it should not be used.
- Warning:** A triangle with an exclamation mark points to the instructions.
- Time:** A clock icon indicates a 30-minute assembly time.
- Personnel:** An icon of a person indicates that 2 people are required for assembly.



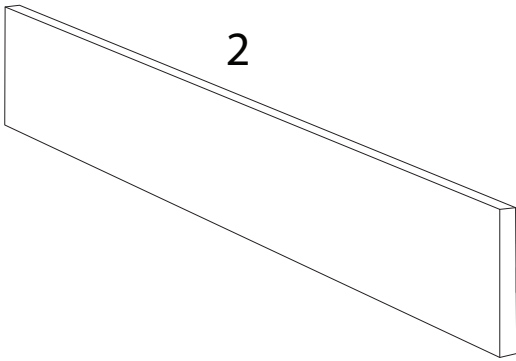
1



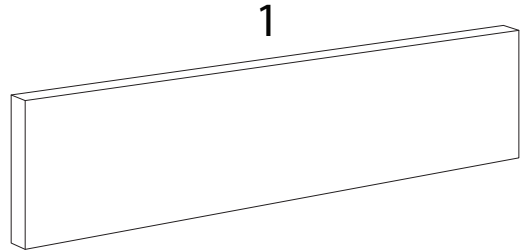
4 x 14



2



2



1

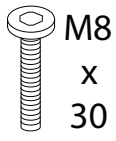


3 x 4



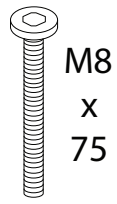
1	2	3	4
x 2	x 2	x 4	x 14

A



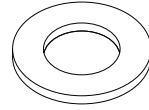
x 8

B



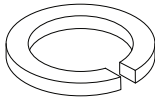
x 4

C



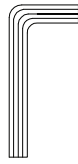
x 12

D



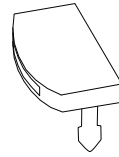
x 12

E



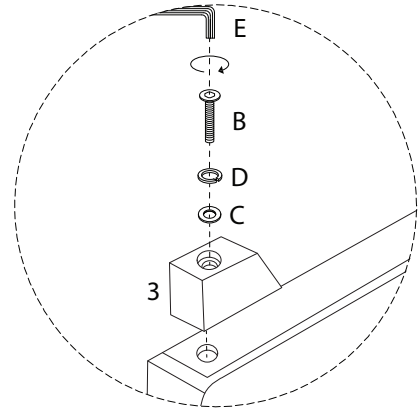
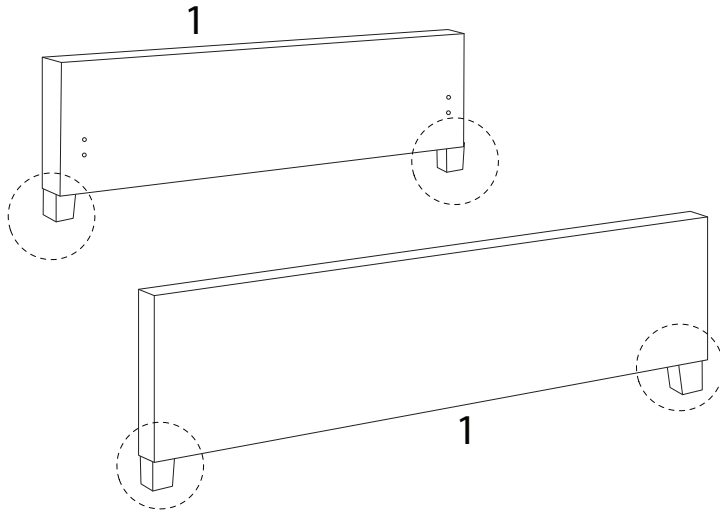
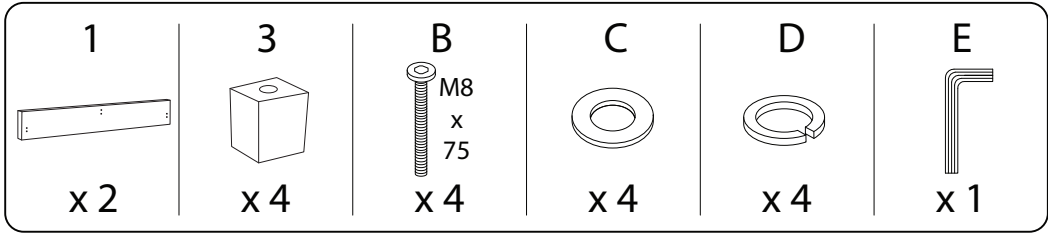
x 1

F

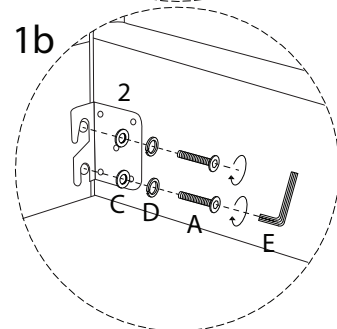
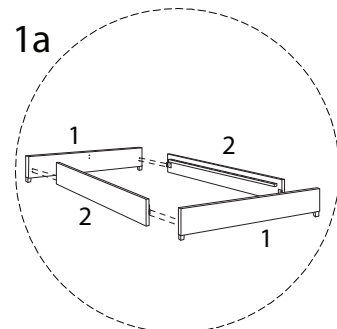
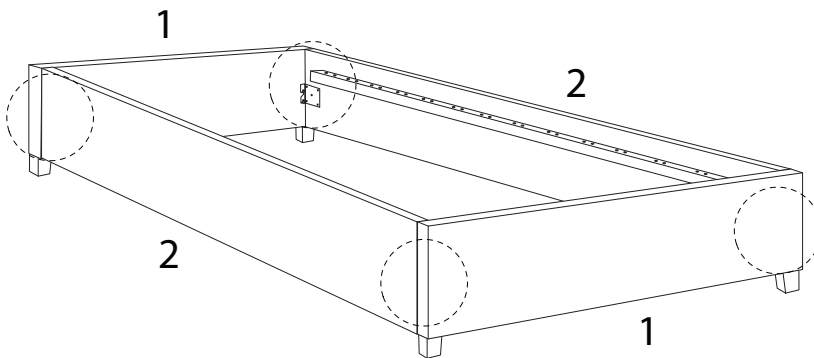
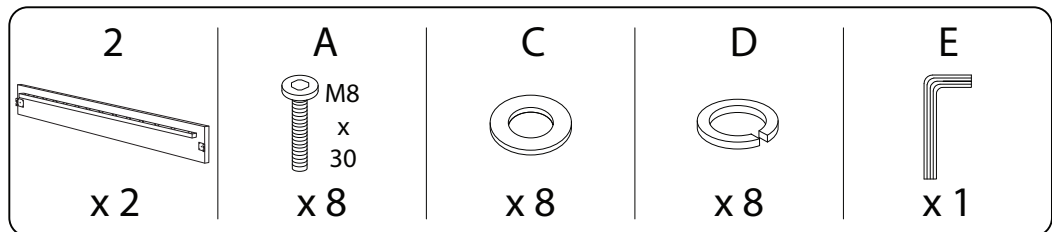


x 28

1



2



3

4

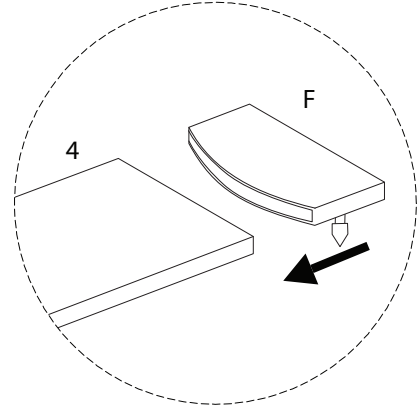
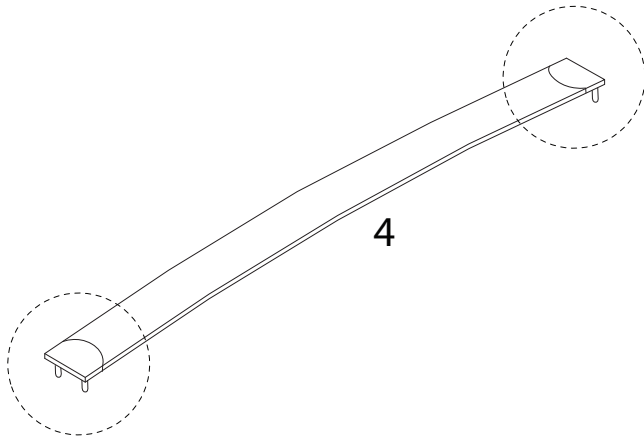


x 14

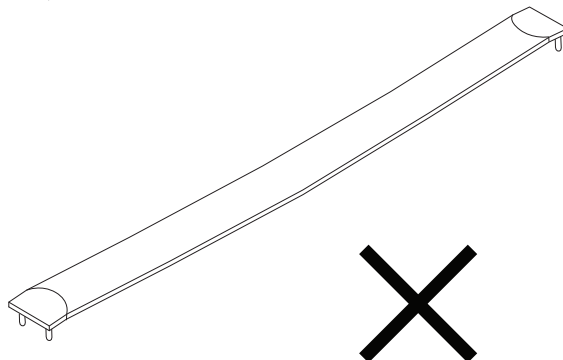
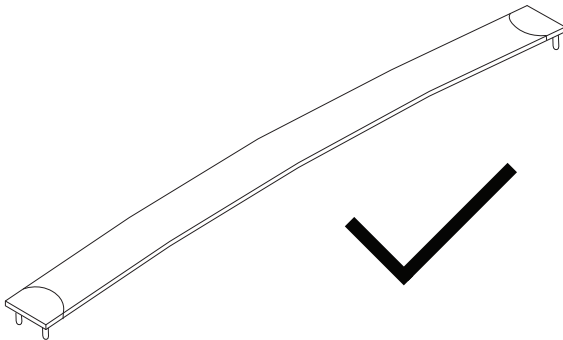
F



x 28



!



4

