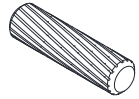


Thank you for purchasing this quality product. Please be sure to check all packing material carefully for small parts which may have come loose inside the carton during shipment. Count all parts and hardware and compare with the parts list to be sure all parts are present. If any parts are missing or damaged, phone, fax or email to our Customer Service Department. For efficient and speedy service please indicate the model number and code letter of part(s) needed.

IMPORTANT NOTE: Follow instructions listed below in proper sequence as numbered to assure fast, easy and correct assembly.

hardware

(Q) x 12
Wood dowel
Ø7.8 X 30mm



(R) x 6
Slider



(S) x 36
Screw Ø3.5 X 12mm



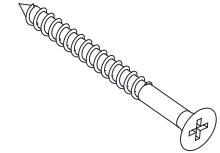
(T) x 6
Cam bolt (large)



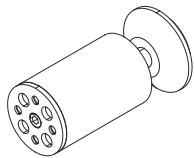
(U) x 6
Cam (large)



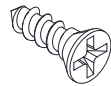
(V) x 6
Screw Ø5 X 50mm



(W) x 4
Adjustable leg



(X) x 16
Screw Ø4 X 16mm



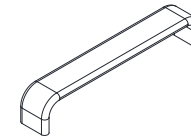
(Y) x 3
Cam bolt (small)



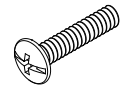
(Z) x 3
Cam (small)



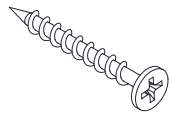
(Aa) x 3
Handle



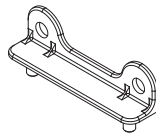
(Bb) x 6
Bolt M4 X 20mm



(Cc) x 15
Screw Ø3.8 X 35mm



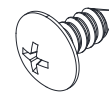
(Dd) x 4
Drawer connector (small)



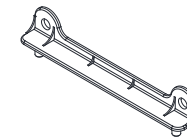
(Ee) x 34
Screw Ø3.5 X 12mm



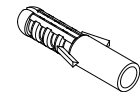
(Ff) x 12
Screw Ø4.7 X 12.5mm



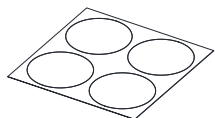
(Gg) x 2
Drawer connector (large)



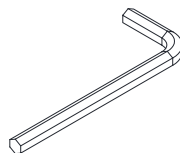
(Hh) x 2
Wall anchor



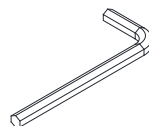
(li) x 4
PVC cover



(Jj) x 1
Allen key M5



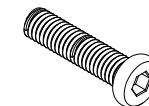
(Kk) x 1
Allen key M4



(Ll) x 4
Metal washer



(Mm) x 4
Bolt M6 X 28mm

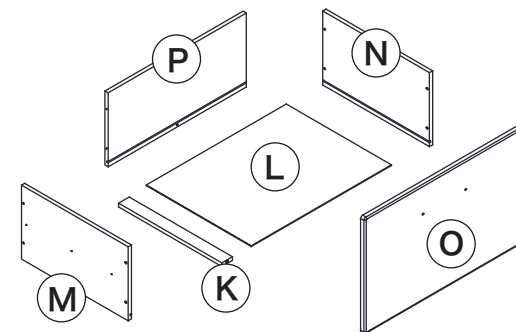
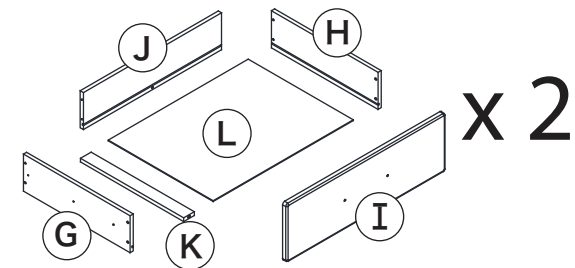
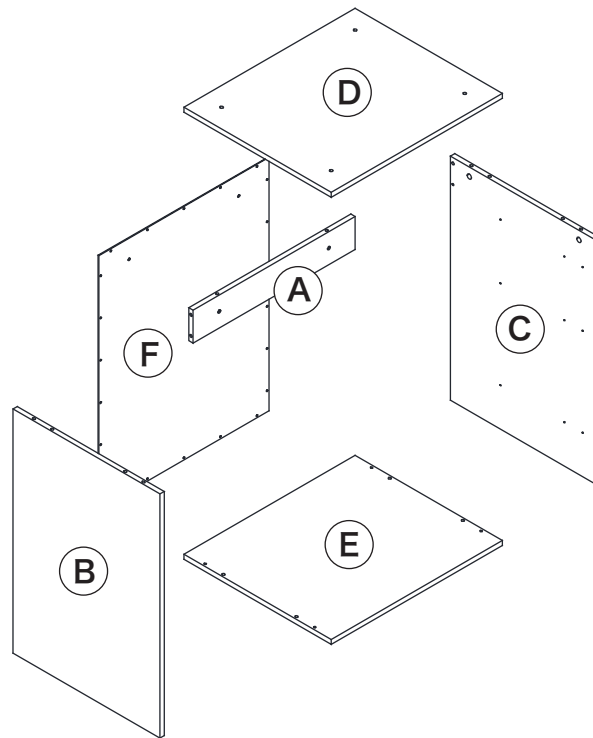


(Nn) x 1
Glue

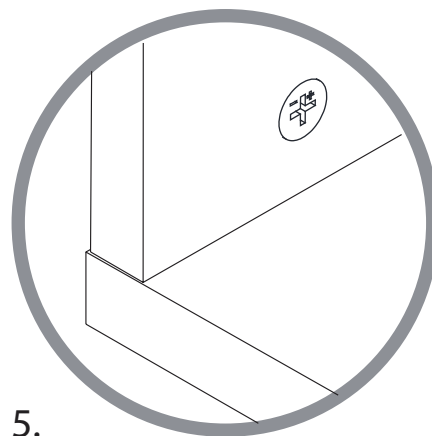
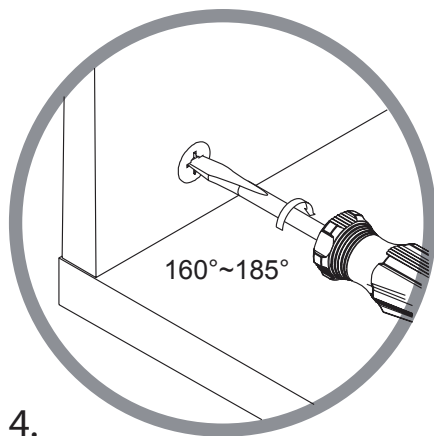
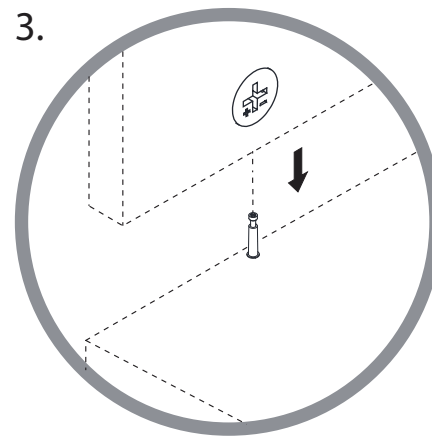
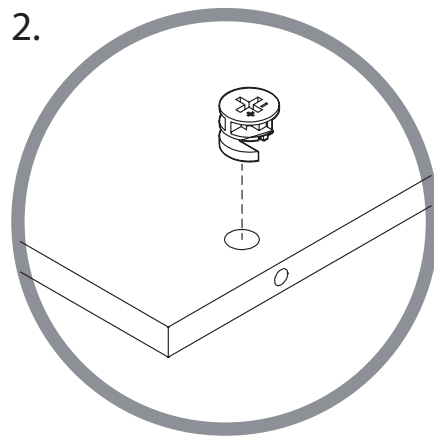
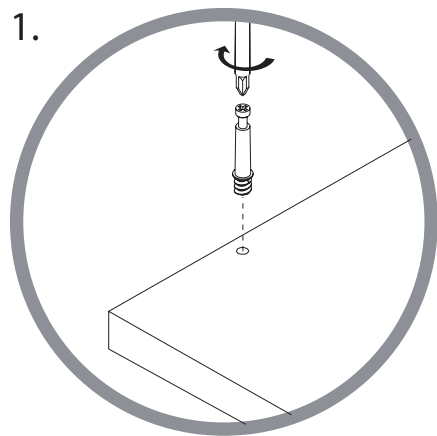


ITEM DESCRIPTION QUANTITY

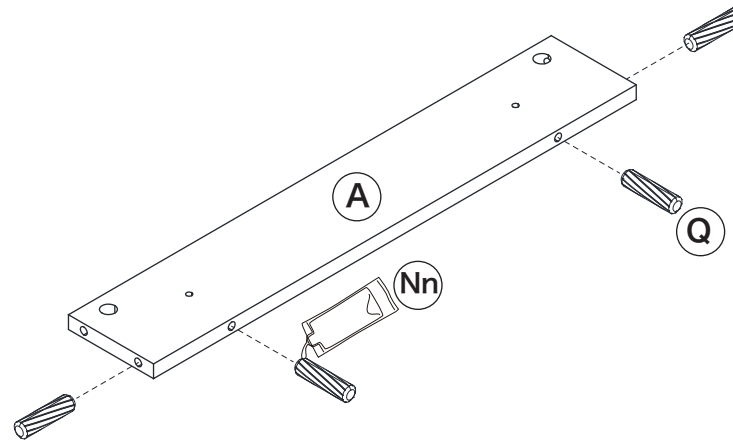
ITEM	DESCRIPTION	QUANTITY
A	Back rail	1
B	Left side panel	1
C	Right side panel	1
D	Top	1
E	Bottom	1
F	Back panel	1
G	Left drawer side	2
H	Right drawer side	2
I	Drawer face	2
J	Drawer back	2
K	Drawer bottom support	3
L	Drawer bottom	3
M	Left drawer side	1
N	Right drawer side	1
O	Drawer face	1
P	Drawer back	1
Q	Wood dowel Ø7.8 X 30mm	12
R	Slider	6
S	Screw Ø3.5 X 12mm	36
T	Cam bolt (large)	6
U	Cam (large)	6
V	Screw Ø5 X 50mm	6
W	Adjustable leg	4
X	Screw Ø4 X 16mm	16
Y	Cam bolt (small)	3
Z	Cam (small)	3
Aa	Handle	3
Bb	Bolt M4 X 20mm	6
Cc	Screw Ø3.8 X 35mm	15
Dd	Drawer connector (small)	4
Ee	Screw Ø3.5 X 12mm	34
Ff	Screw Ø4.7 X 12.5mm	12
Gg	Drawer connector (large)	2
Hh	Wall anchor	2
Ii	PVC cover	4
Jj	Allen key M5	1
Kk	Allen key M4	1
Ll	Metal washer	4
Mm	Bolt M6 X 28mm	4
Nn	Glue	1



how to use the cam lock system



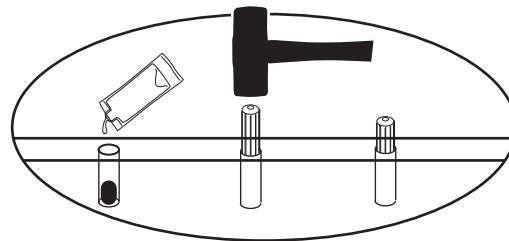
step 1.



(Q) x 4
Wood dowel
Ø7.8 X 30mm

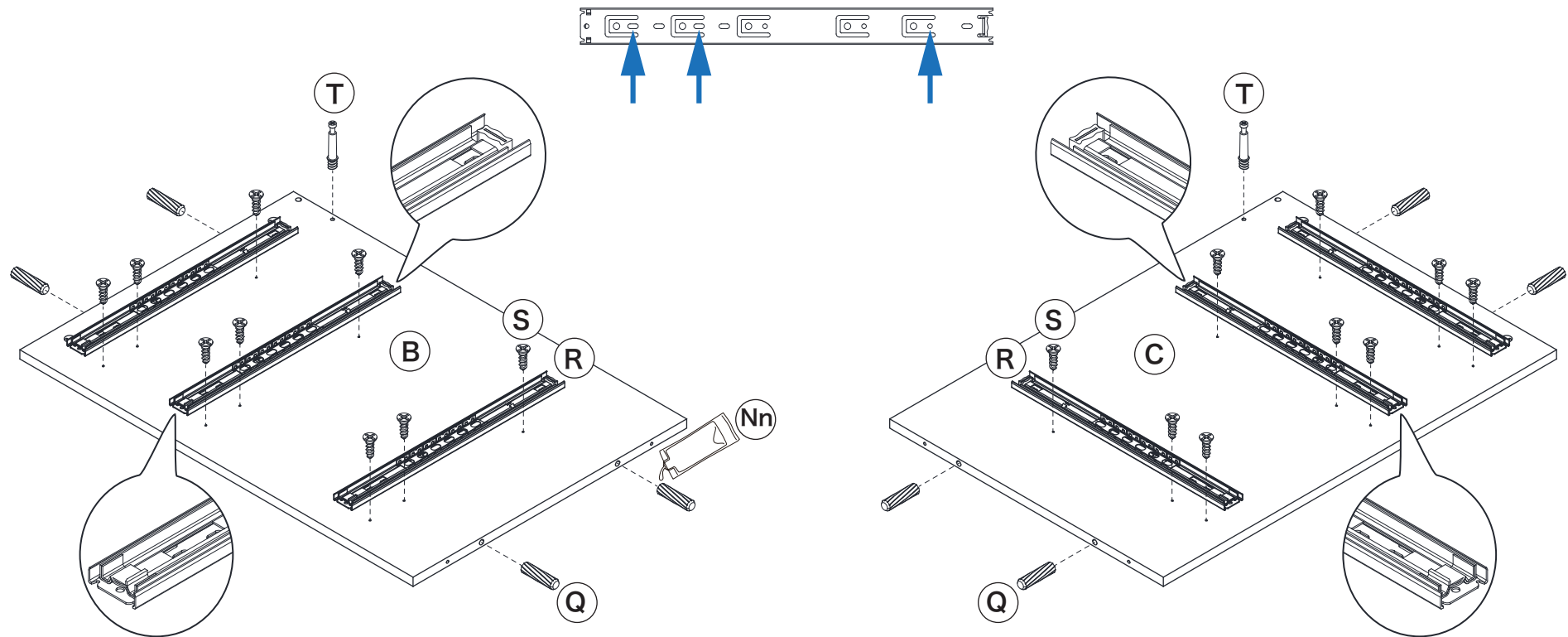


(Nn)
Glue



1. Instill the glue (Nn) to the wood dowel hole as image shown.
2. Insert the wood dowel (Q) to the part (A).

step 2.



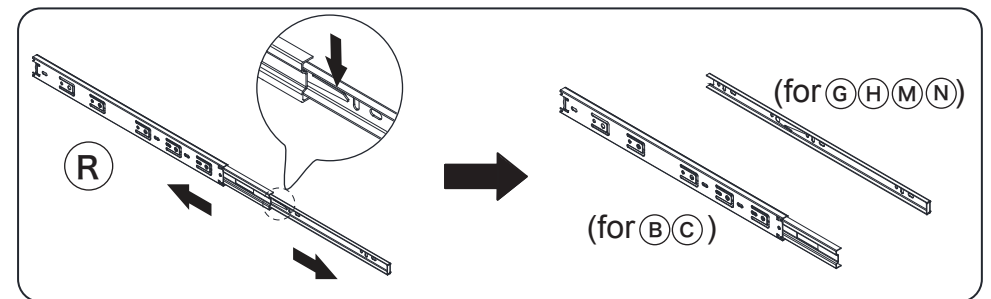
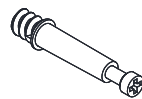
(Q) x 8
Wood dowel
Ø7.8 X 30mm

(R) x 6
Slider

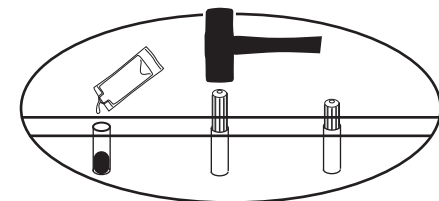
(S) x 18
Screw Ø3.5 X 12mm

(T) x 2
Cam bolt (large)

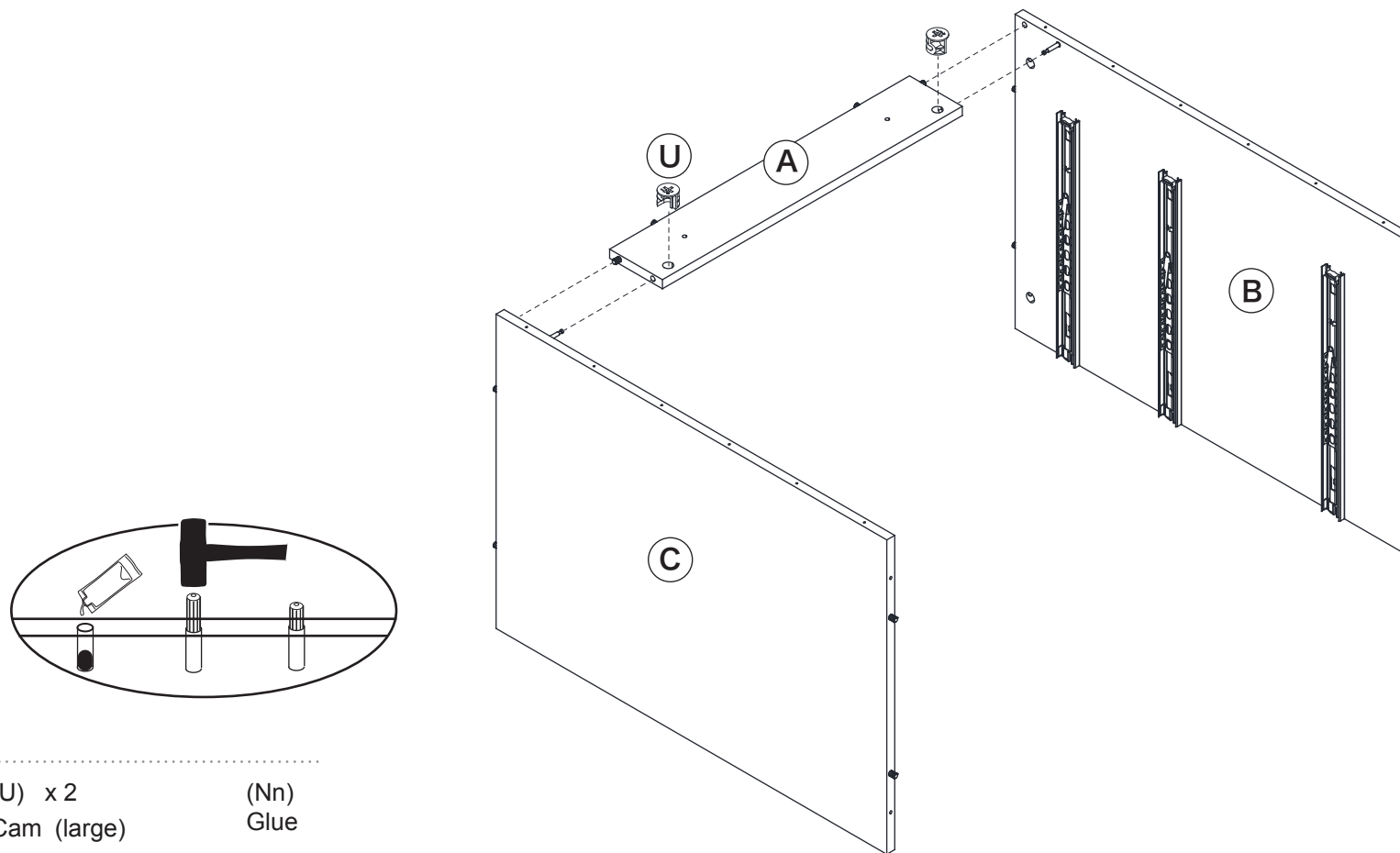
(Nn)
Glue



1. Instill the glue (Nn) to the wood dowel hole as image shown.
2. Insert the wood dowel (Q) to the part (B) and (C).
3. Attach the cam bolt (T) to the part (B) and (C).
4. Split the slider (R) as image shown. Attach the slider to the part with screw (S).



step 3.



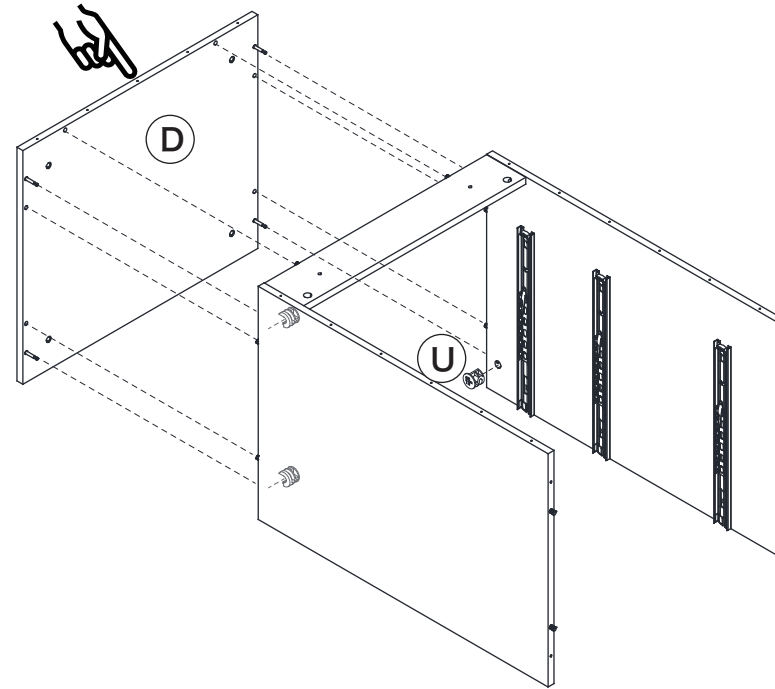
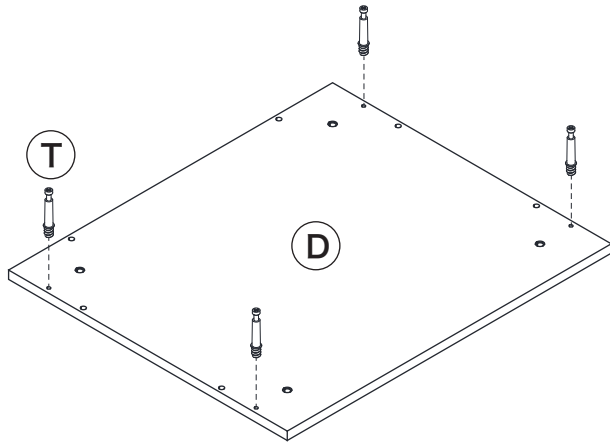
(U) x 2
Cam (large)

(Nn)
Glue



1. Instill the glue (Nn) to the wood dowel hole as image shown.
2. Attach the part (B) and (C) to part (A) using the wood dowel (Q) and cam bolt (T).
3. Tighten the part (A) using cam (U) as image shown.

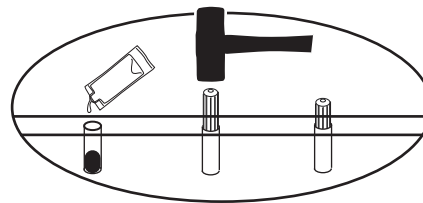
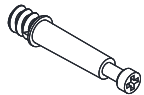
step 4.



(T) x 4
Cam bolt (large)

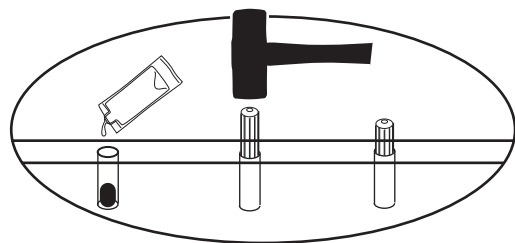
(U) x 4
Cam (large)

(Nn)
Glue



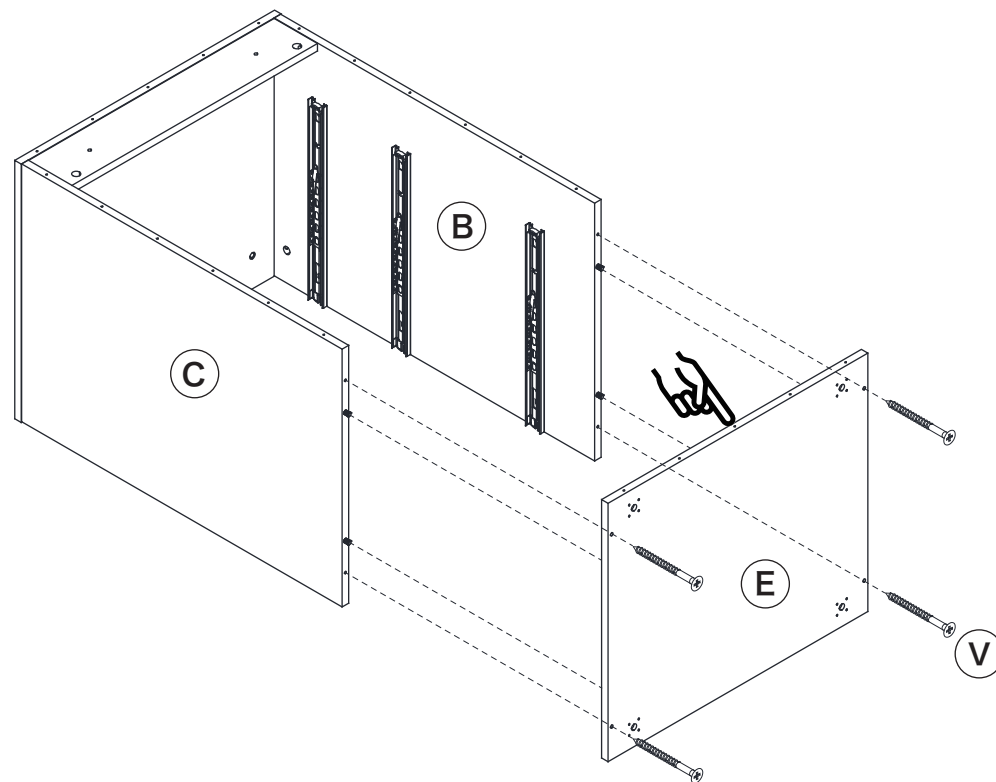
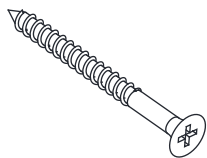
1. Attach the cam bolt (T) to the part (D).
2. Instill the glue (Nn) to the wood dowel hole as image shown.
3. Attach the part (D) to the assembled parts using wood dowel (Q) and cam bolt (T). Take notice on the direction of the part (D).

step 5.



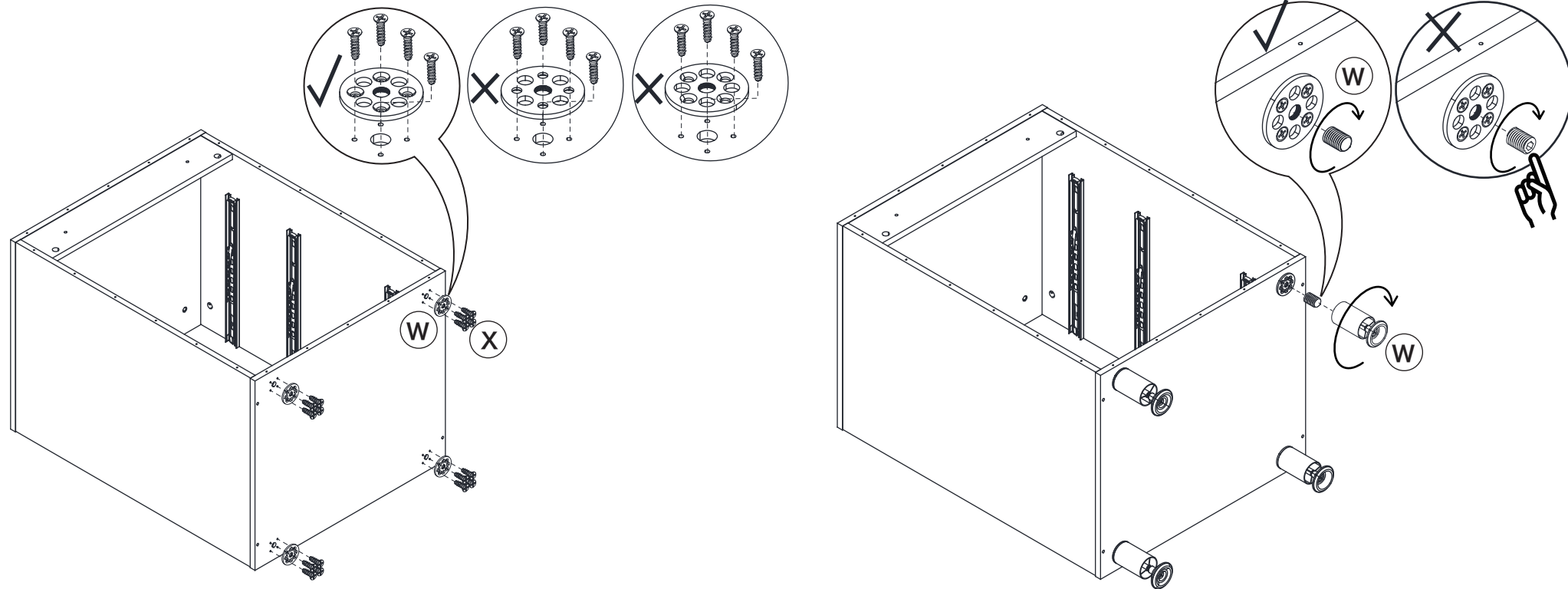
(V) x 4
Screw Ø5 X 50mm

(Nn)
Glue



1. Instill the glue (Nn) to the wood dowel hole as image shown.
2. Attach the parts (B), (C) and (E) using screw (V).

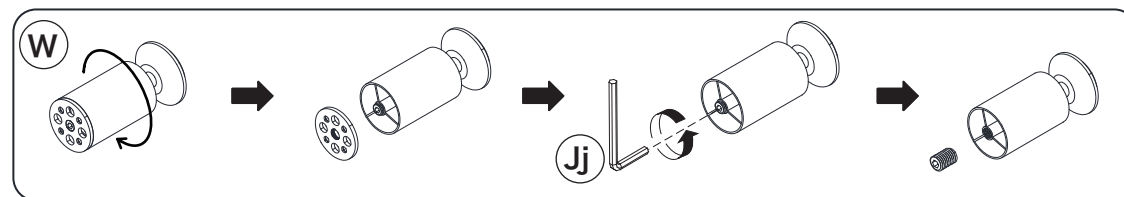
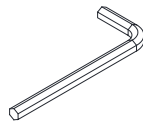
step 6.



(W) x 4
Adjustable leg

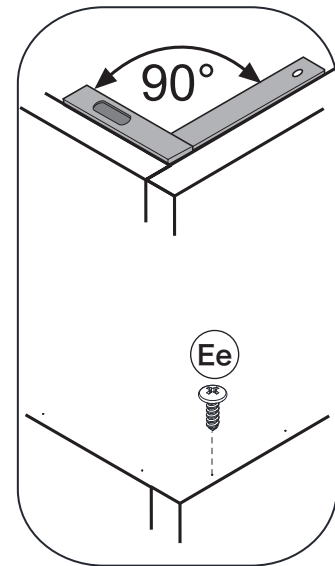
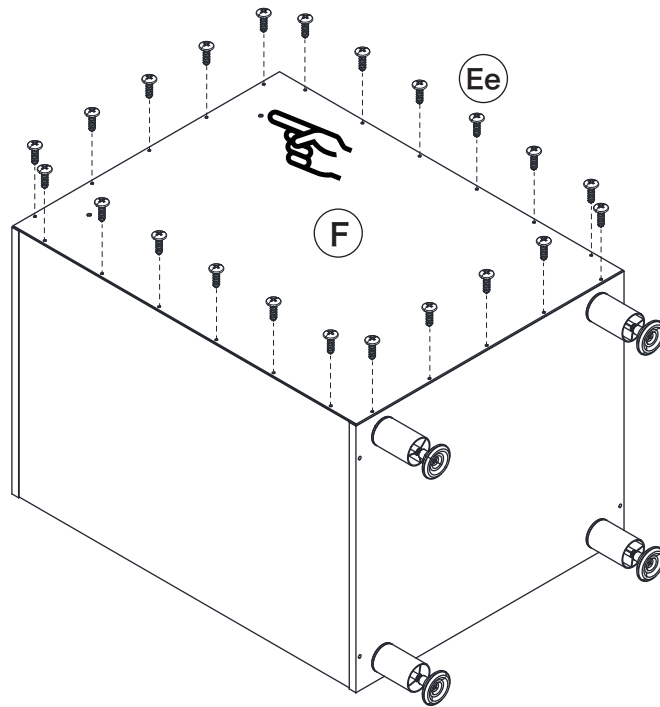
(X) x 16
Screw Ø4 X 16mm

(Jj) x 1
Allen key M5

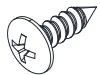


1. Knock down the adjustable leg (W) as image shown.
2. Attached the metal plate to the part (E) with screw (X), take notice on the metal plate screw hole.
3. Rotate the screw into the metal plate on part (E).
4. Attach the leg to the part (E) as image shown.

step 7.



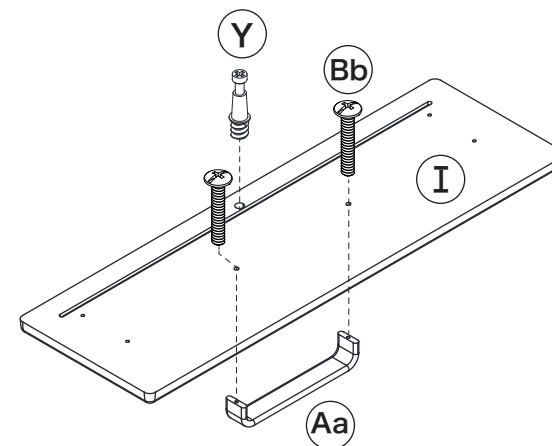
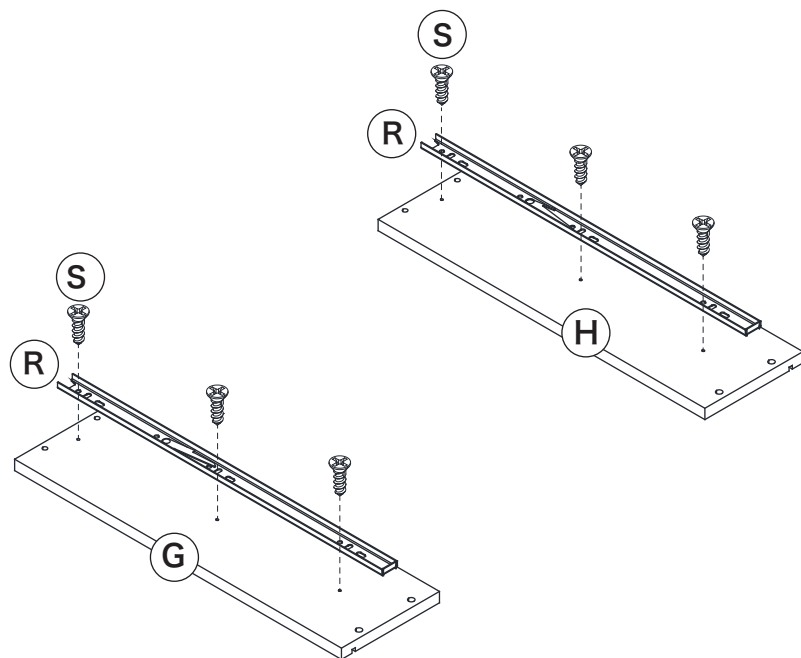
(Ee) x 22
Screw Ø3.5 X 12mm



1. Attach the back panel (F) to the body using screw (Ee).
Notice: Make sure the body angle should be in right angle before attach the back panel in.
And take notice on the back panel direction.

step 8.

x 2



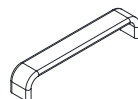
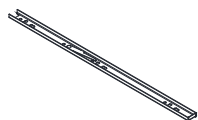
(R) x 4
Slider

(S) x 12
Screw Ø3.5 X 12mm

(Y) x 2
Cam bolt (small)

(Aa) x 2
Handle

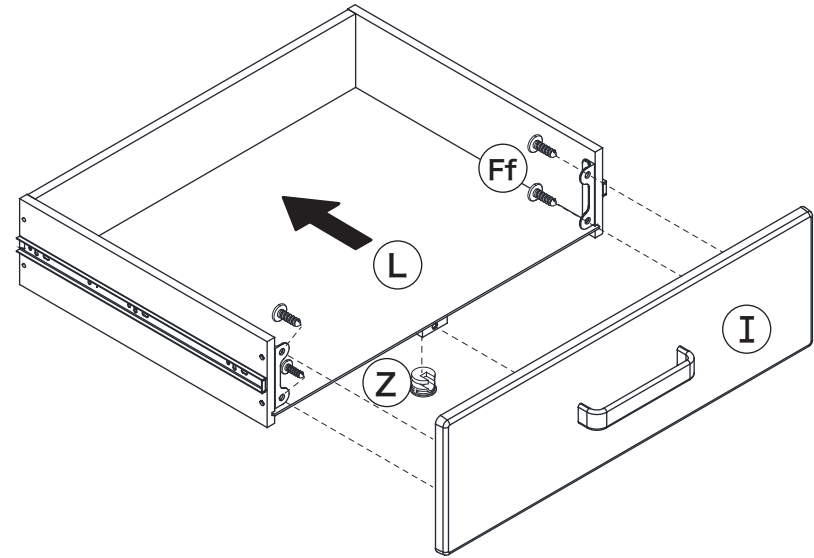
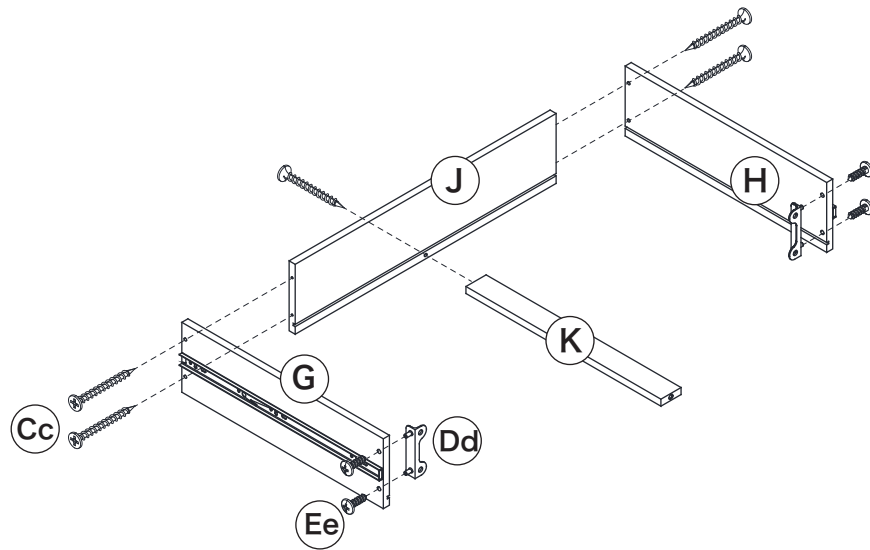
(Bb) x 4
Bolt M4 X 20mm



1. Attach the slider (R) to the part (G) and (H) with screw (S).
2. Insert the cam bolt (Y) to the part (I).
3. Attach the handle (Aa) to the part (I) with screw (Bb).

step 9.

x 2



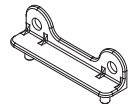
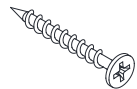
(Z) x 2
Cam (small)

(Cc) x 10
Screw Ø3.8 X 35mm

(Dd) x 4
Drawer connector (small)

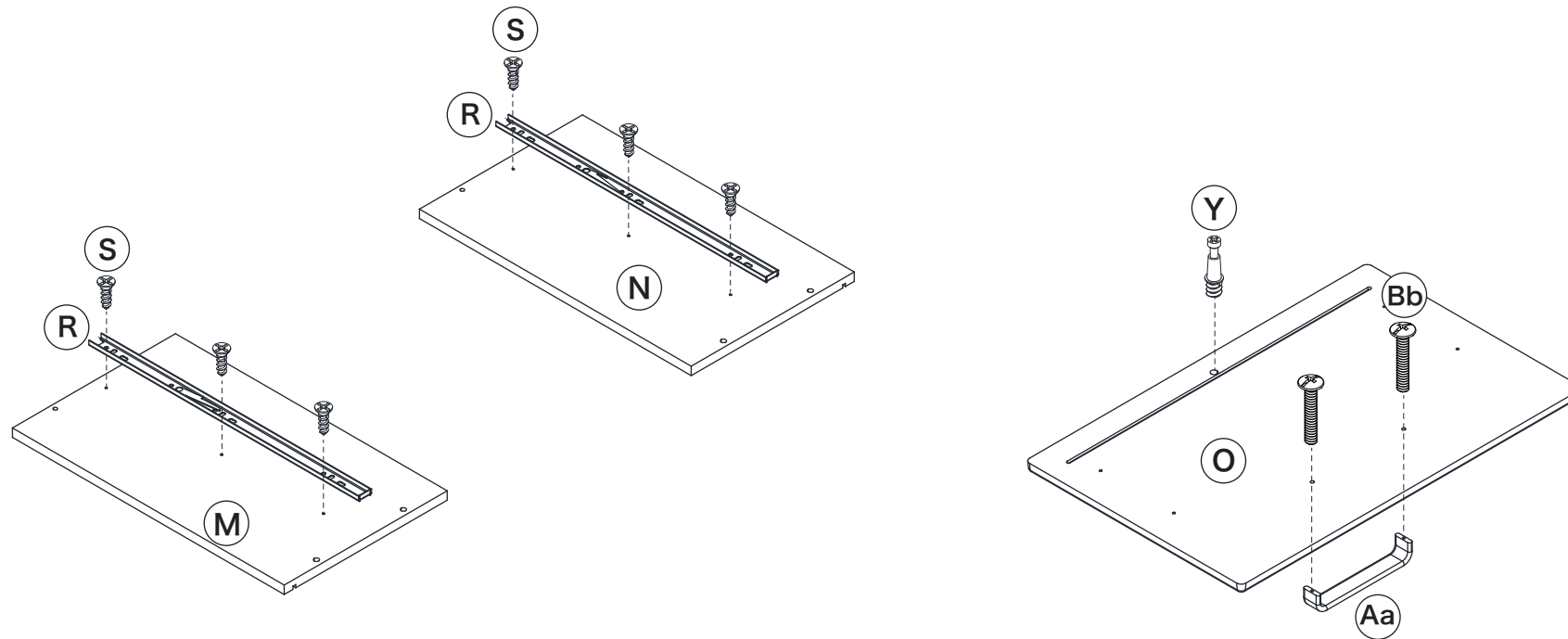
(Ee) x 8
Screw Ø3.5 X 12mm

(Ff) x 8
Screw Ø4.7 X 12.5mm



1. Attach the drawer connector (Dd) to the part (G) and (H) with screw (Ee).
2. Attach the parts (G), (H), (J) and (K) together with screw (Cc).
3. Insert the part (L) to the groove of parts (G), (H) and (J).
4. Attach the part (I) to part (K). Make sure the part (L) inserted in the groove of part (I).
5. Tighten the part (I) with cam (Z).
6. Attach the drawer connector (Dd) to part (I) with screw (Ff).

step 10.



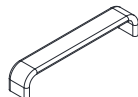
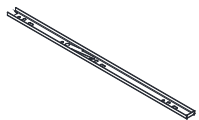
(R) x 2
Slider

(S) x 6
Screw Ø3.5 X 12mm

(Y) x 1
Cam bolt (small)

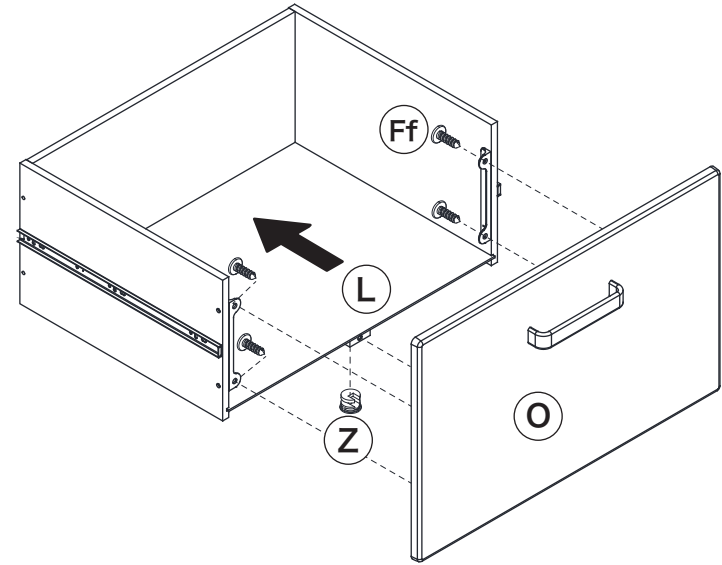
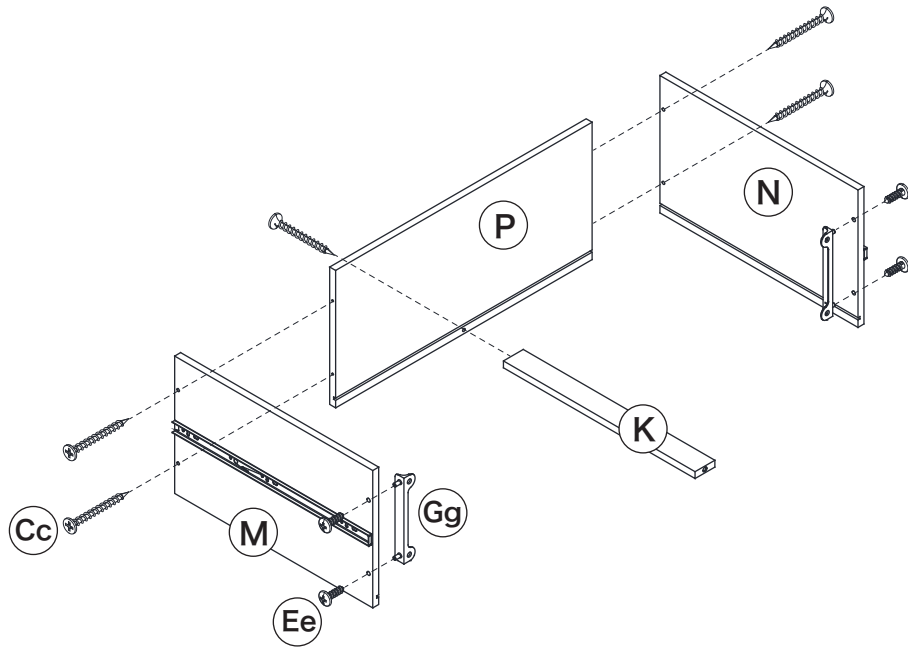
(Aa) x 1
Handle

(Bb) x 2
Bolt M4 X 20mm



1. Attach the slider (R) to the part (M) and (N) with screw (S).
2. Insert the cam bolt (Y) to the part (O).
3. Attach the handle (Aa) to the part (O) with screw (Bb).

step 11.



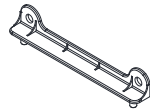
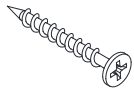
(Z) x 1
Cam (small)

(Cc) x 5
Screw Ø3.8 X 35mm

(Gg) x 2
Drawer connector (large)

(Ee) x 4
Screw Ø3.5 X 12mm

(Ff) x 4
Screw Ø4.7 X 12.5mm



1. Attach the drawer connector (Gg) to the part (M) and (N) with screw (Ee).
2. Attach the parts (M), (N), (P) and (K) together with screw (Cc).
3. Insert the part (L) to the groove of parts (M), (N) and (P).
4. Attach the part (O) to part (K). Make sure the part (L) inserted in the groove of part (O).
5. Tighten the part (O) with cam (Z).
6. Attach the drawer connector (Gg) to part (O) with screw (Ff).

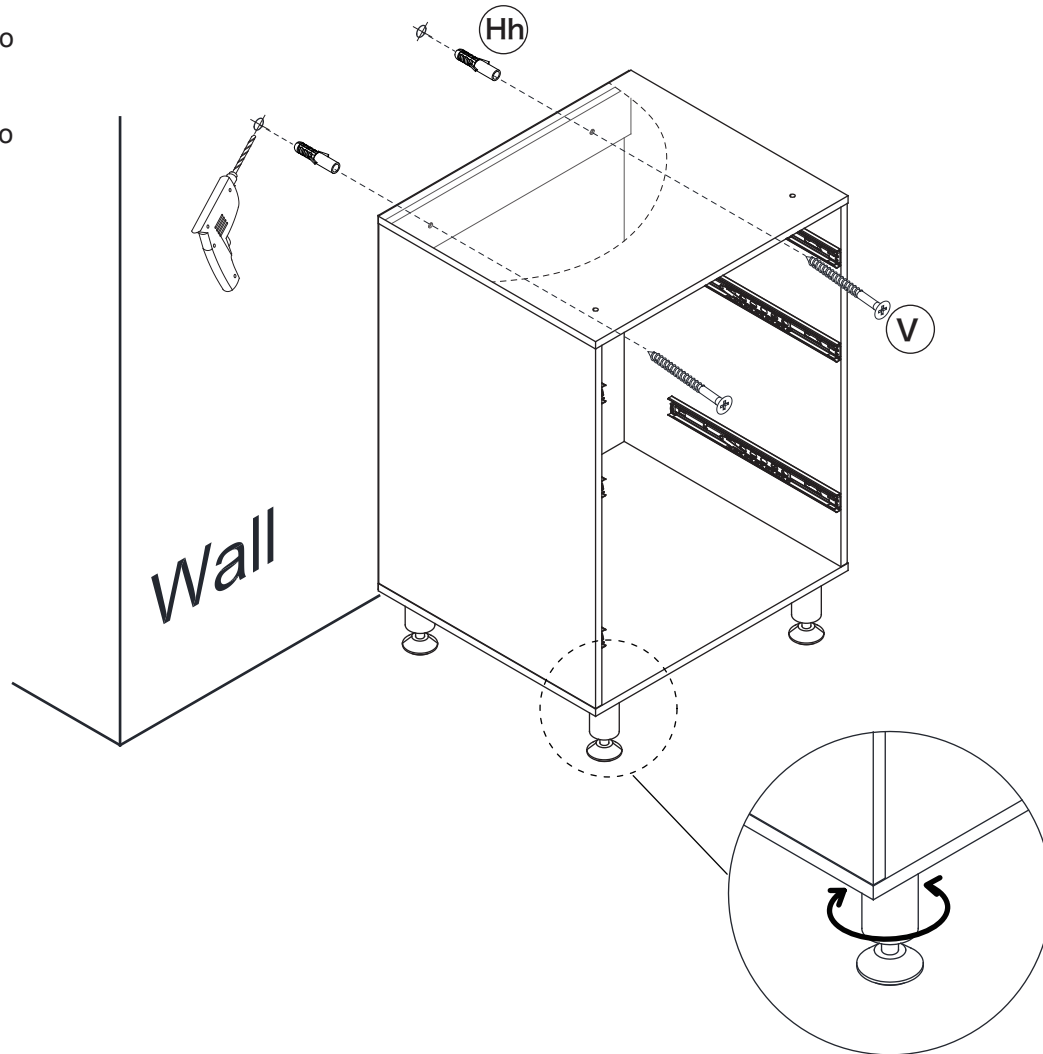
step 12.

If you purchase 24201 24" Counter top meanwhile, please refer to the manual 24201 24" Counter top;

If you purchase 24200 71" Counter top meanwhile, please refer to the manual 24200 71" Counter top;

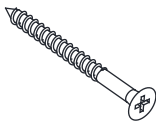
If you purchase 24202 Two door base cabinet meanwhile, please refer to the manual 24202 Two door base cabinet Step 12 - Step 15 for assembly .

If you just only purchase this sku, please proceed with below steps to finish the assembly.



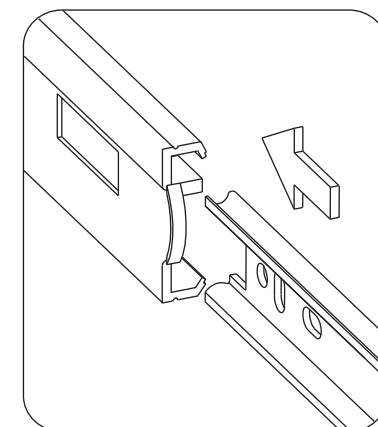
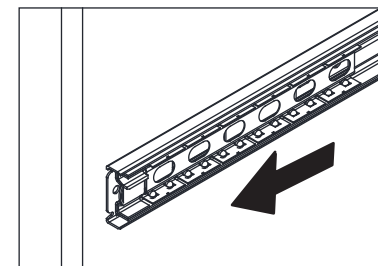
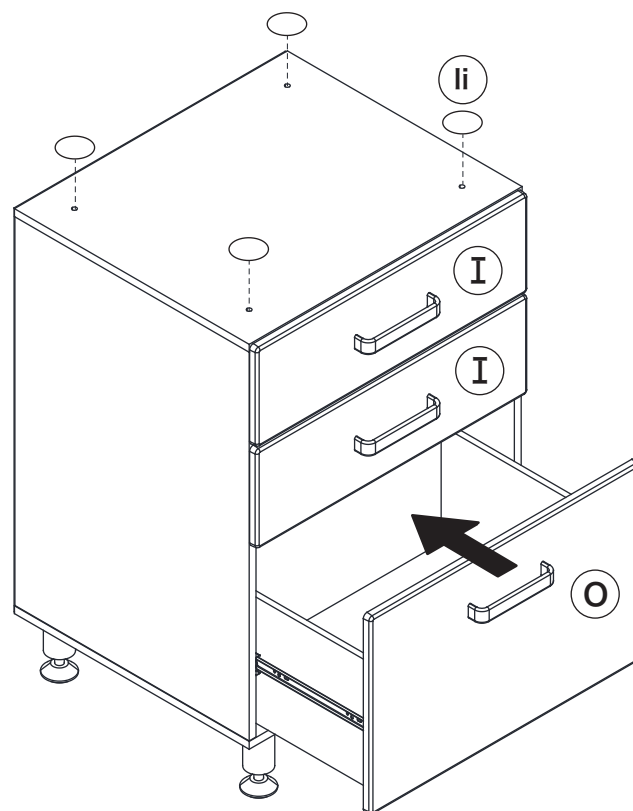
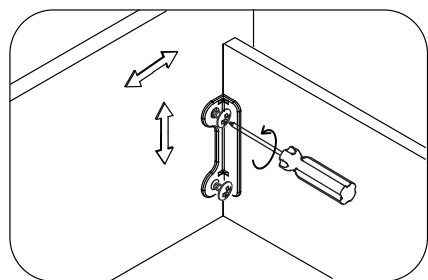
(V) x 2
Screw Ø5 X 50mm

(Hh) x 2
Wall anchor

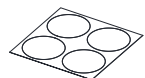


1. Mark the screw hole in the wall according to the product height.
 2. Drill the hole in the wall using drill Ø8.
 3. Knock the wall anchor (Hh) into the hole.
 4. Attach the screw (V) to the wall anchor (Hh) through the product screw hole.
- Notice: You could adjust the adjustable leg if the floor is not flat.

step 13.



(li) x 4
PVC cover



1. Cover the screw holes with PVC cover (li).
 2. Install the drawers to the cabinet as image shown.
- Please note a small degree of force may be necessary to get the slides to engage.