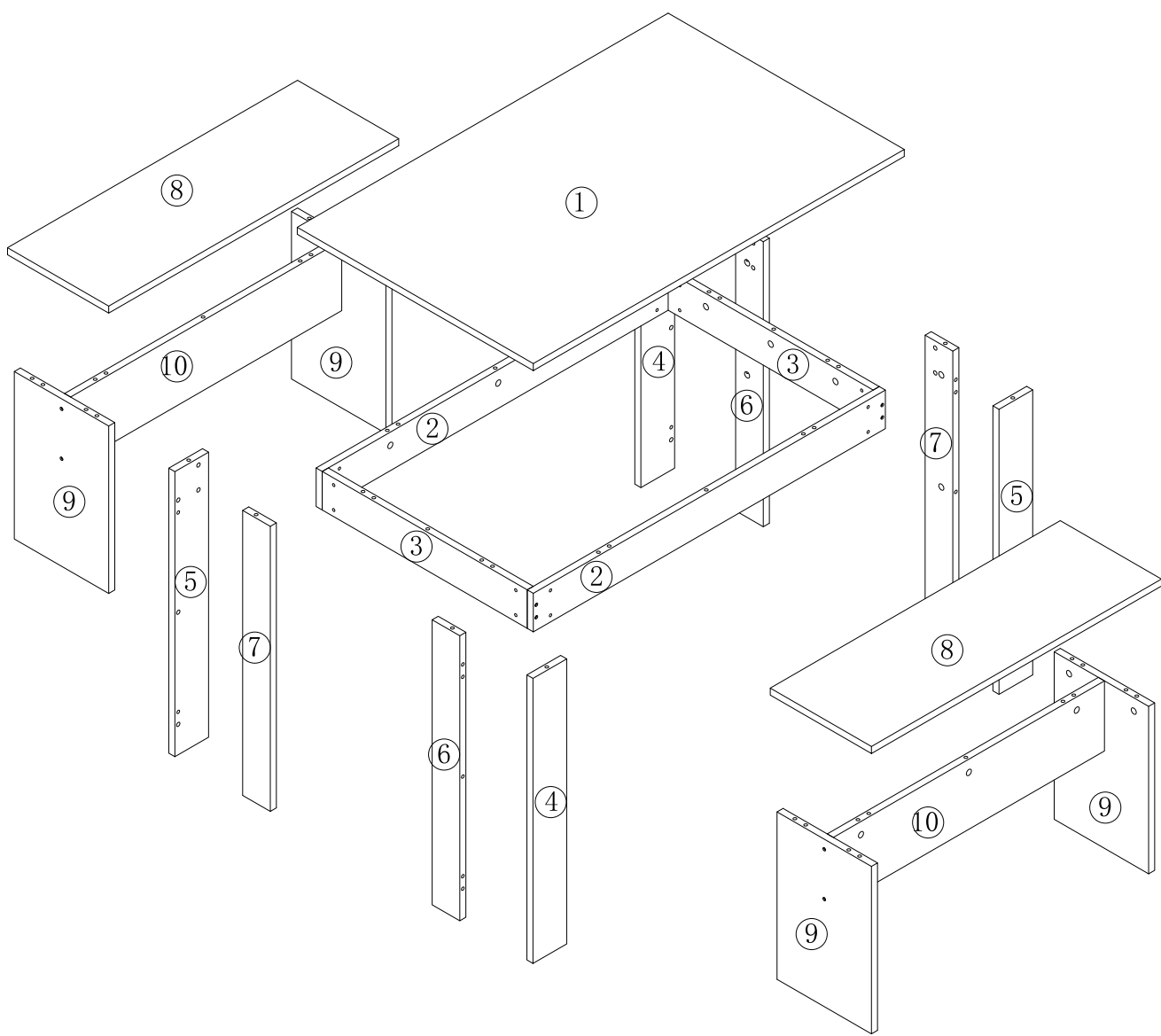
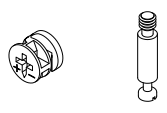

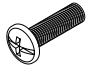

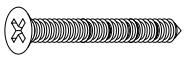
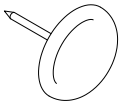



READ AND SAVE THIS INSTRUCTION FOR FUTURE USE

**ASSEMBLY INSTRUCTION**



<p><b>A x38</b></p> 	<p><b>B x36</b></p> 	<p><b>C x16</b></p> 	
<p><b>D x 8</b></p> 	<p><b>E x 8</b></p> 	<p><b>F x16</b></p> 	<p><b>G x 8</b></p> 









# PACKING DETAILS: TOTAL 2 BOXES

## BOX 1/2

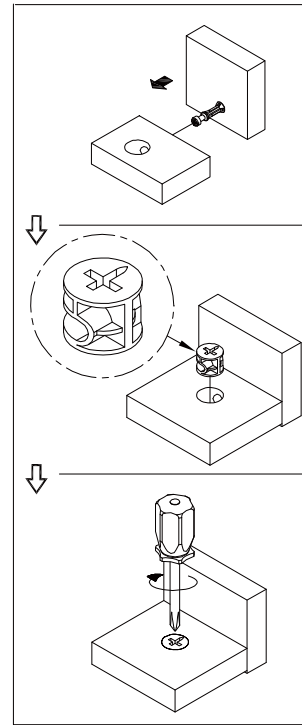
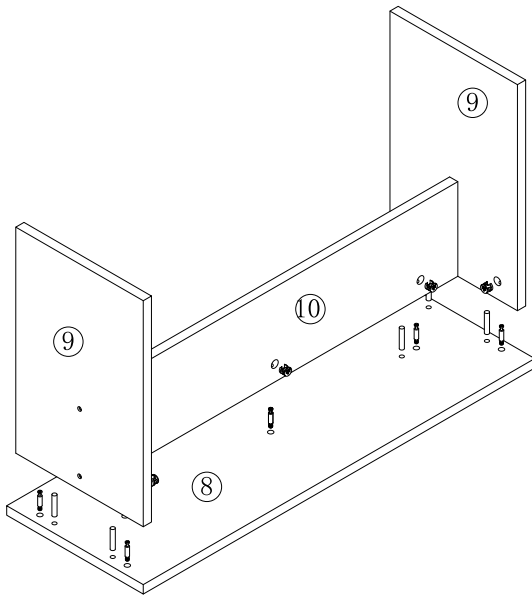
PART NO.	QTY
①	X1
②	X2
③	X2
④	X2
⑤	X2
⑥	X2
⑦	X2

## BOX 2/2

PART NO.	QTY
⑧	X2
⑨	X4
⑩	X2

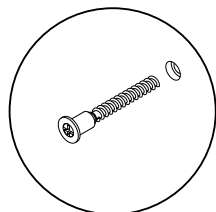
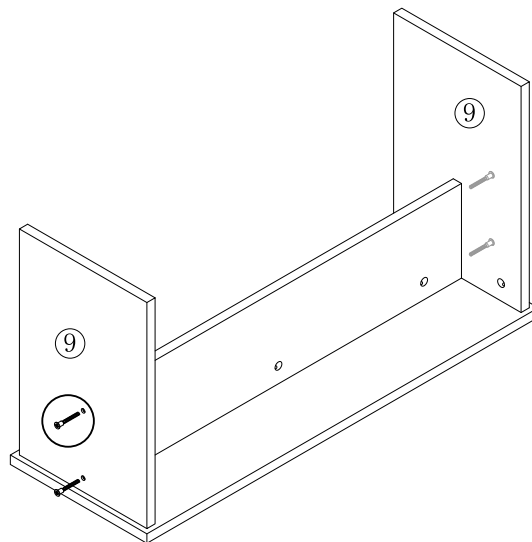
 				
A*38	B*36 Ø8*40	C*16 Ø6*25	D*8 Ø5*40	E*8 Ø4*35
				
F*16	G*8 Ø15			

# A\*14+B\*12



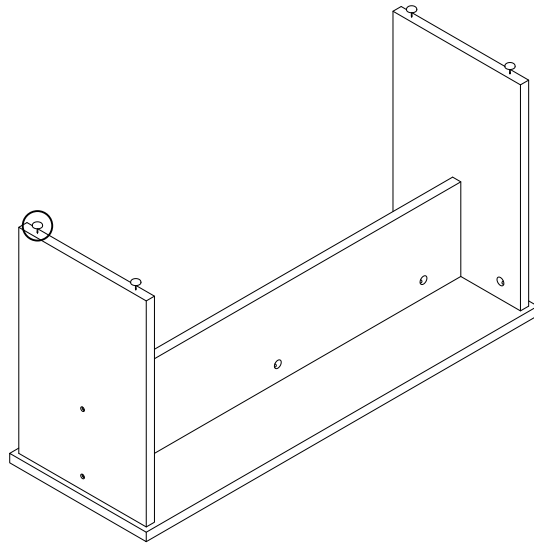
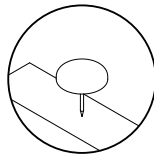
x2

# D\*8



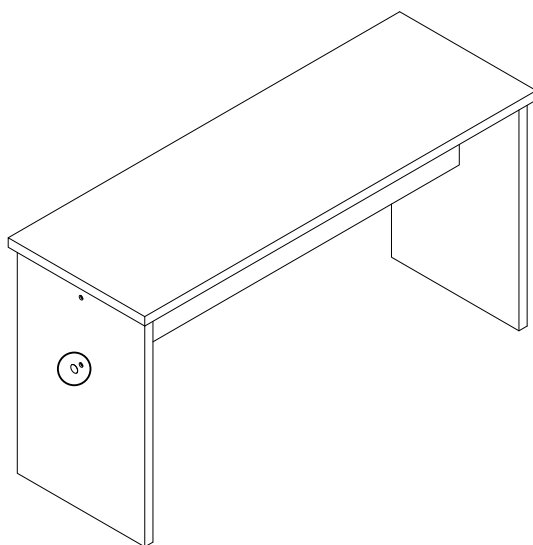
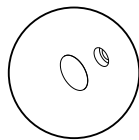
x2

F\*8



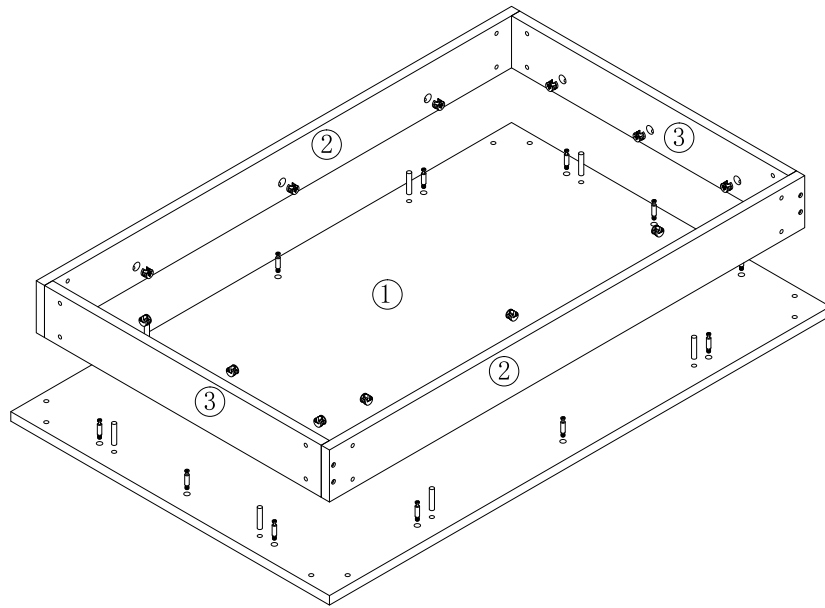
x2

G\*8

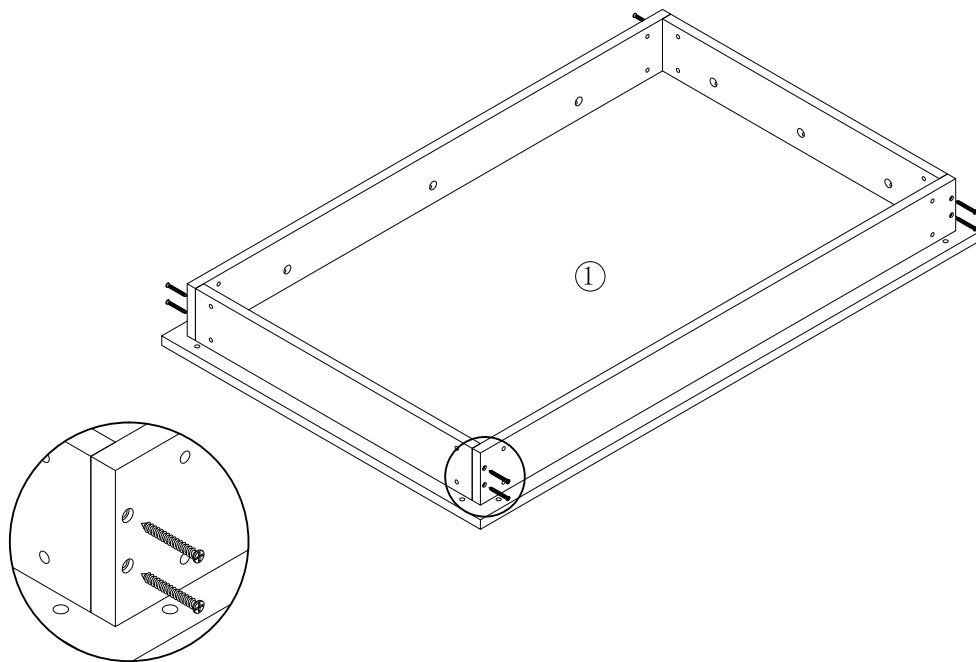


x2

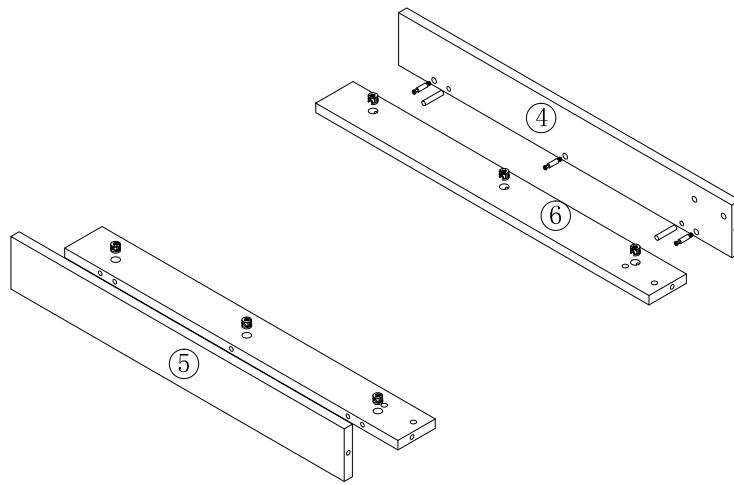
# A\*12+B\*8



# E\*8

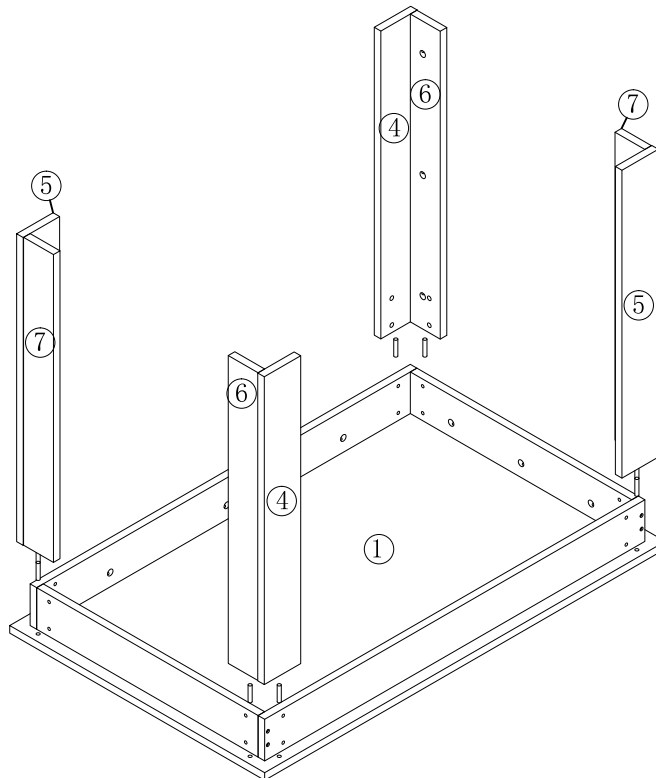


# A\*12+B\*8

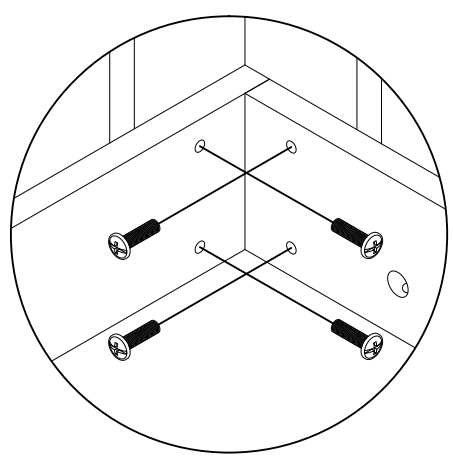
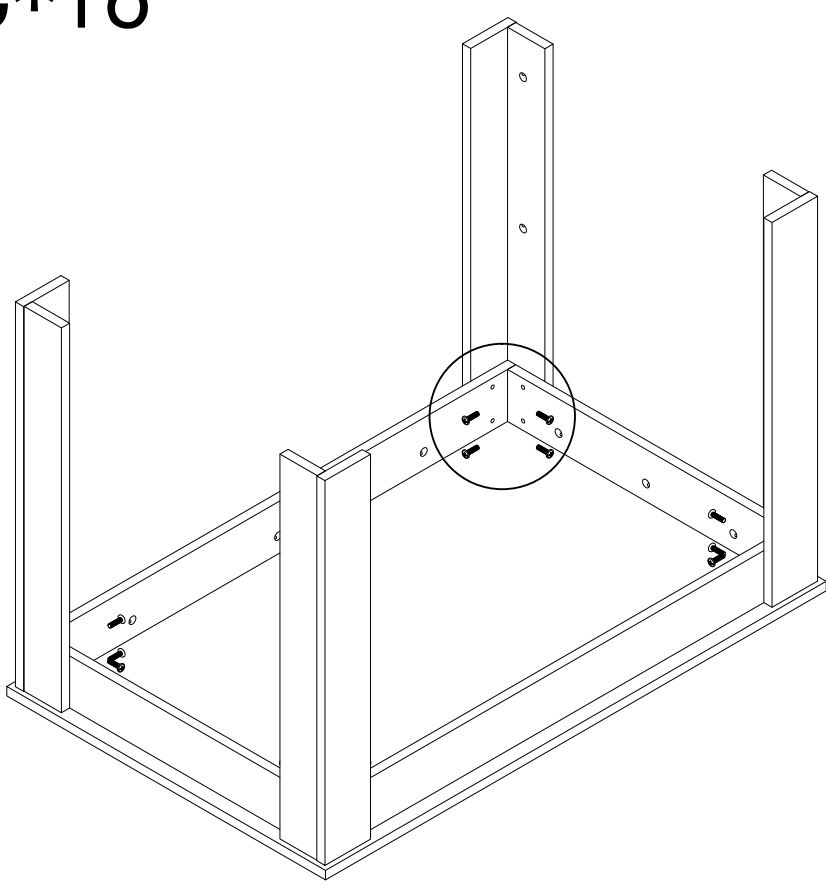


x2

# B\*8



C\*16



F\*8

