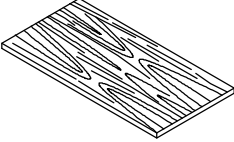
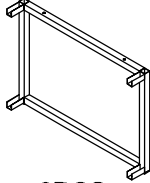
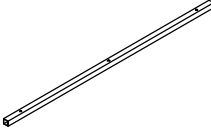
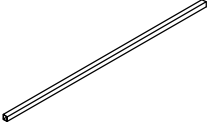

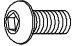
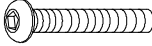
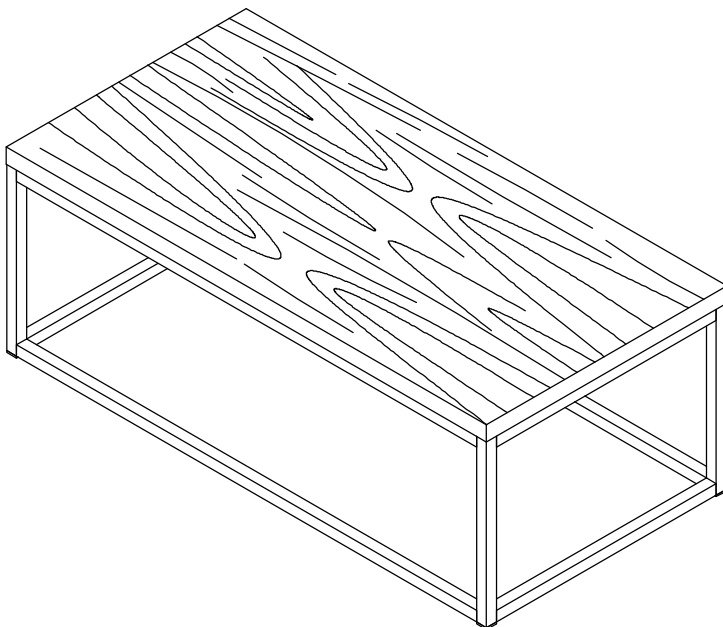


# ASSEMBLY INSTRUCTION

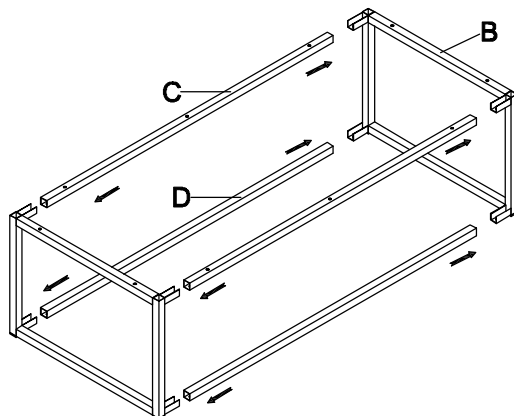
## RECTANGULAR COCKTAIL TABLE

<b>A</b> TOP PANEL  1PC	<b>B</b> SIDE FRAME  2PCS	<b>C</b> TOP FRAME  2PCS	<b>D</b> BOTTOM FRAME  2PCS
<b>E</b> WRENCH 4mm  1PC	<b>F</b> BOLT-SMALL Ø1/4"X1/2"  16PCS	<b>G</b> BOLT-BIG Ø1/4"X1-3/4"  10PCS	

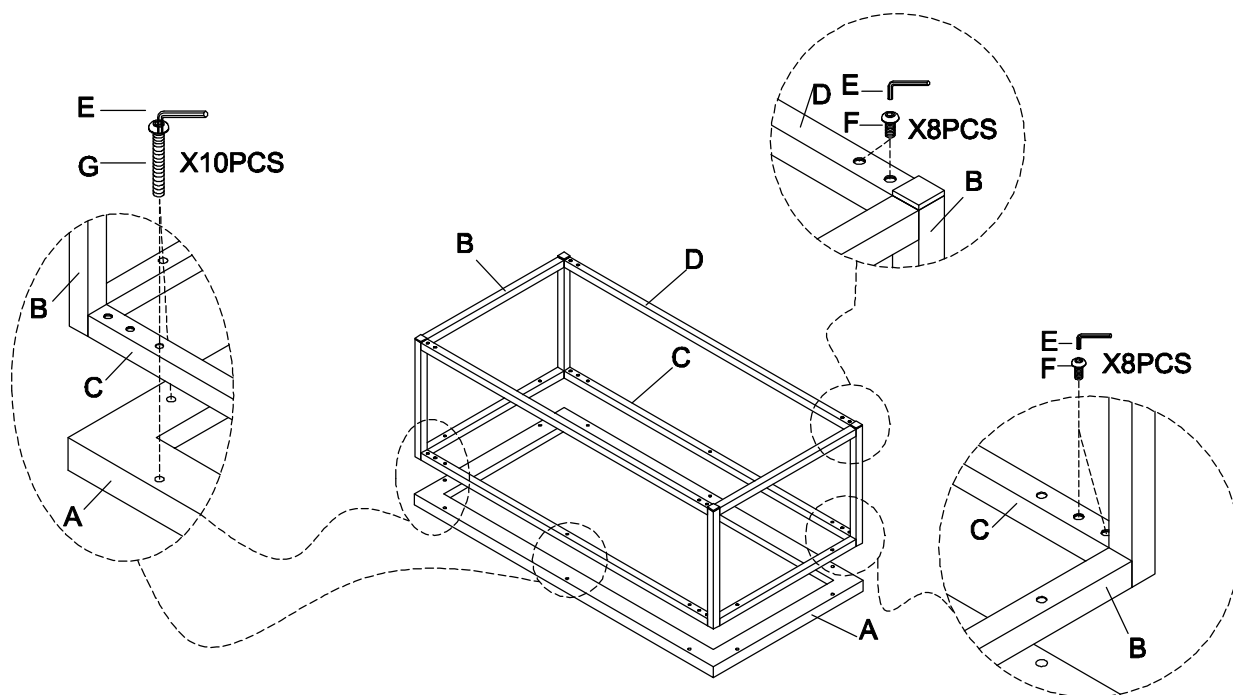


This page lists all the contents included in the box. Please take the time to identify the hardware as well as the individual components to this product. AS you unpack and prepare for assembly. place the contents on a carpeted or padded area to protect them from damage.

**1** Attach the Top Frame (C) and the Bottom Frame (D) to the Side Frame (B).



**2** Attach Iron Shelf (B, C, D) to Top Panel (A), using Bolt-small (F), Bolt-big (G), tighten by hand at first, securely tighten the bolts with Wrench (E).



#### Cleaning & Care

Treat surface with care. Surface is resistant to scratches but is not scratch resistant. Clean surfaces with a dry or damp soft cloth. Do not use abrasive cleaners. Hardware may loosen over time. Periodically check that all connections are tight.