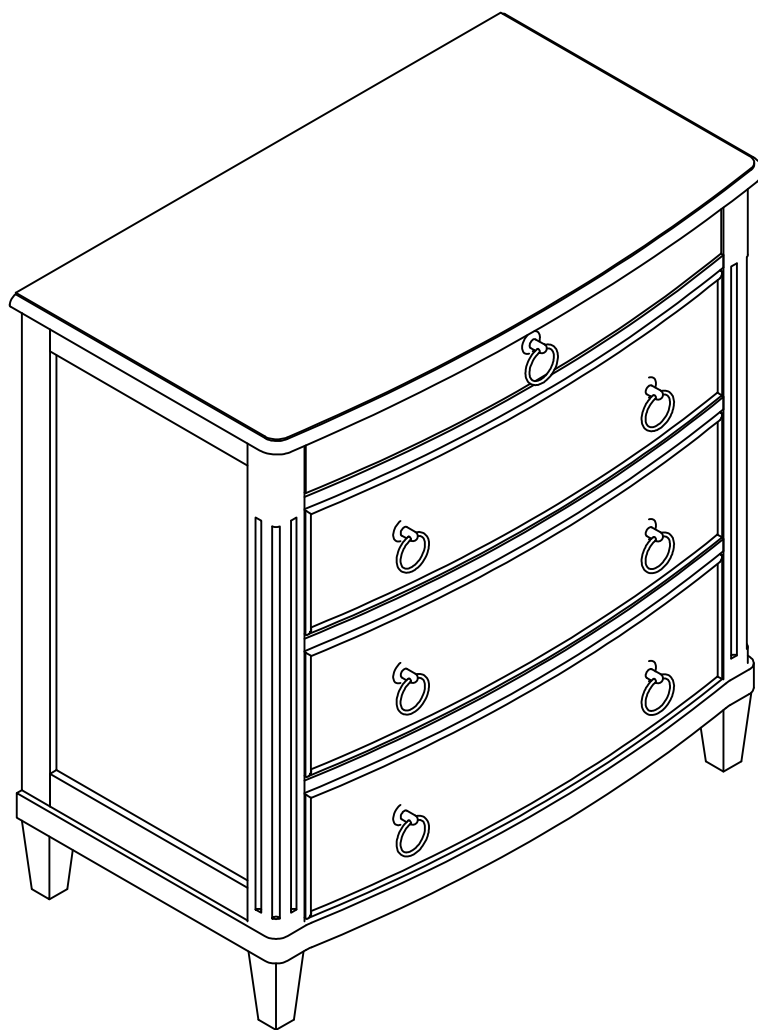
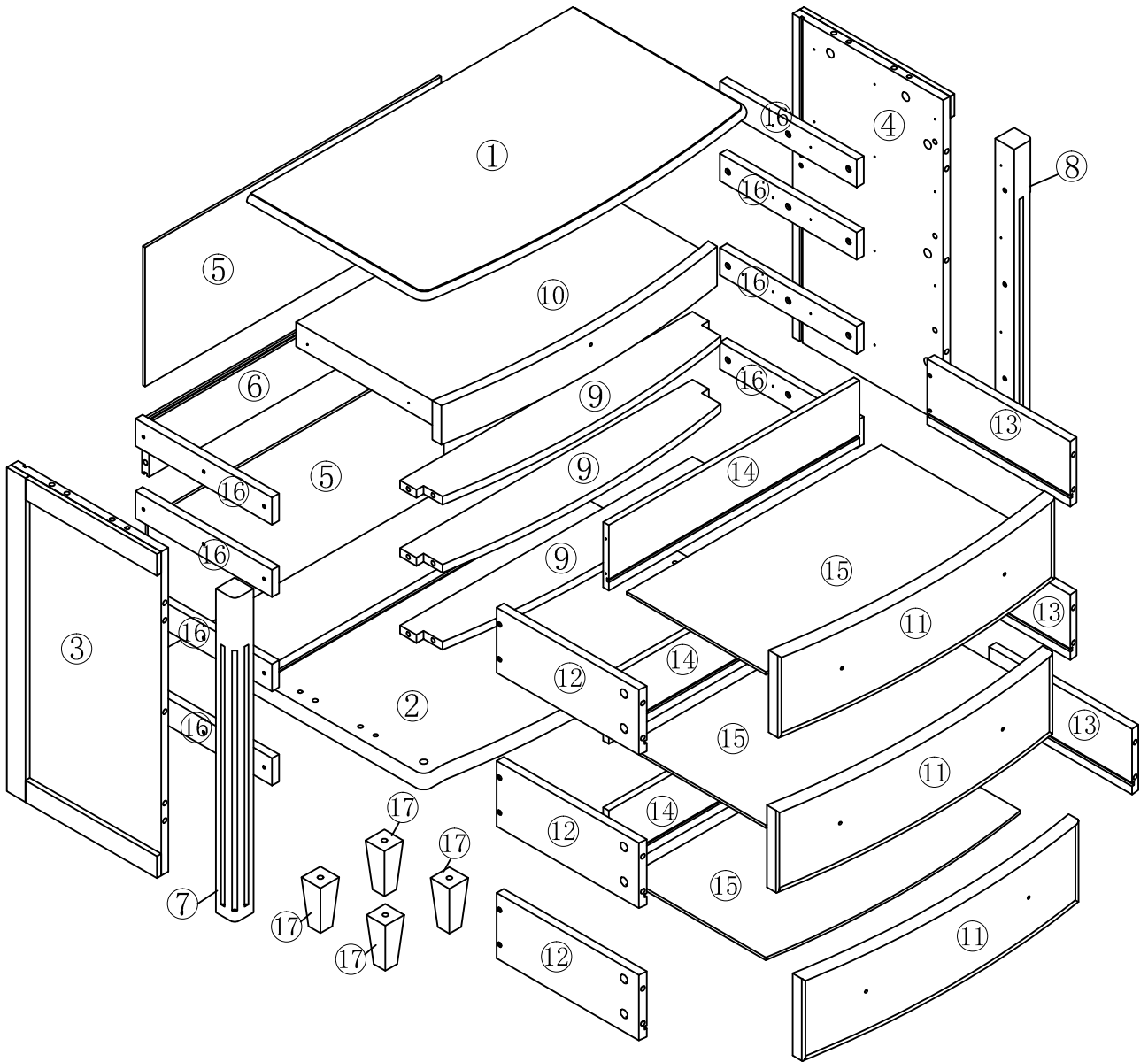
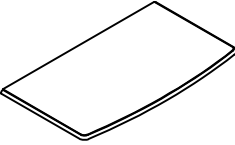
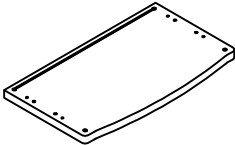
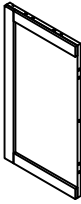

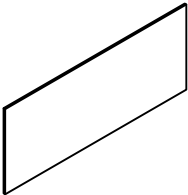
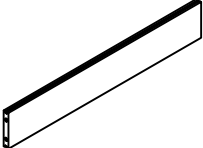


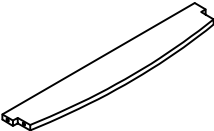
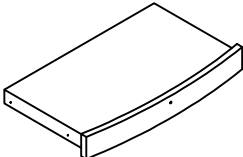
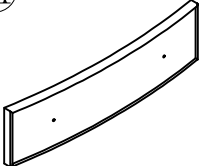
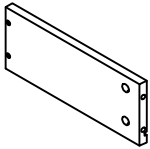
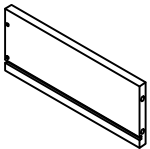
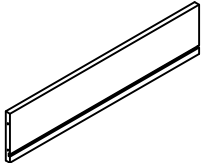
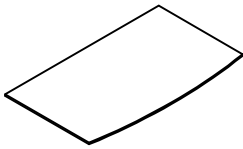
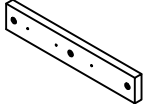
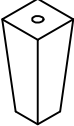


Assembly Instruction

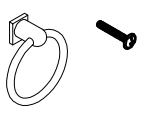
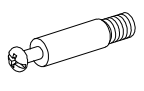
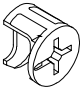
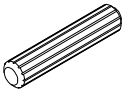
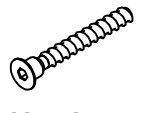
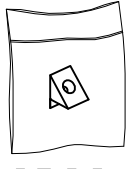

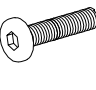
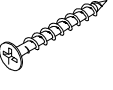
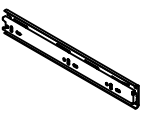
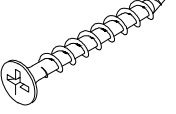
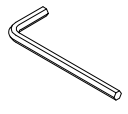
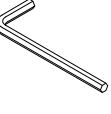
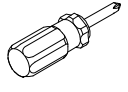
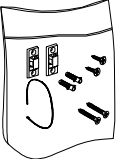




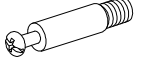
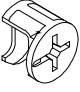
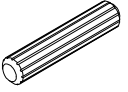
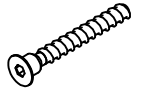
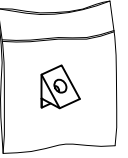

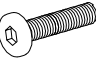
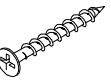
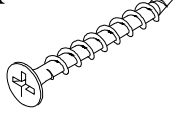
HARDWARE LIST

<p>①</p>  <p>1PC</p>	<p>②</p>  <p>1PC</p>	<p>③</p>  <p>1PC</p>	<p>④</p>  <p>1PC</p>	<p>⑤</p>  <p>2PC</p>
<p>⑥</p>  <p>1PC</p>	<p>⑦</p>  <p>1PC</p>	<p>⑧</p>  <p>1PC</p>	<p>⑨</p>  <p>3PC</p>	<p>⑩</p>  <p>1PC</p>
<p>⑪</p>  <p>3PC</p>	<p>⑫</p>  <p>3PC</p>	<p>⑬</p>  <p>3PC</p>	<p>⑭</p>  <p>3PC</p>	<p>⑮</p>  <p>3PC</p>
<p>⑯</p>  <p>8PC</p>	<p>⑰</p>  <p>4PC</p>			

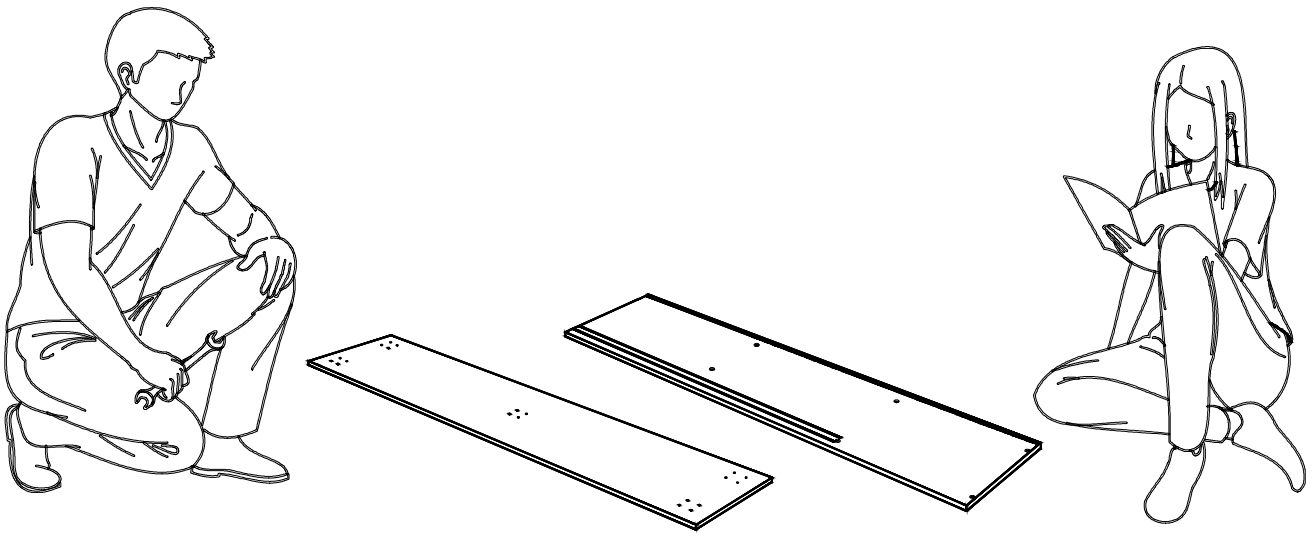
HARDWARE LIST

<p>A</p>  <p>6PCS</p>	<p>B</p>  <p>6x40mm 32PCS</p>	<p>C</p>  <p>Ø15*12mm 32PCS</p>	<p>D</p>  <p>8x30mm 18PCS</p>	<p>E</p>  <p>M6x50mm 4PCS</p>
<p>F</p>  <p>8PCS</p>	<p>G</p>  <p>#3x14mm 72PCS</p>	<p>H</p>  <p>M8x35mm 4PCS</p>	<p>I</p>  <p>#8*1"mm 24PCS</p>	<p>J</p>  <p>8PCS</p>
<p>K</p>  <p>#8*1-1/4"mm 12PCS</p>	<p>L</p>  <p>M6 1PCS</p>	<p>M</p>  <p>M8 1PCS</p>	<p>N</p>  <p>1PCS</p>	<p>O</p>  <p>2PCS</p>

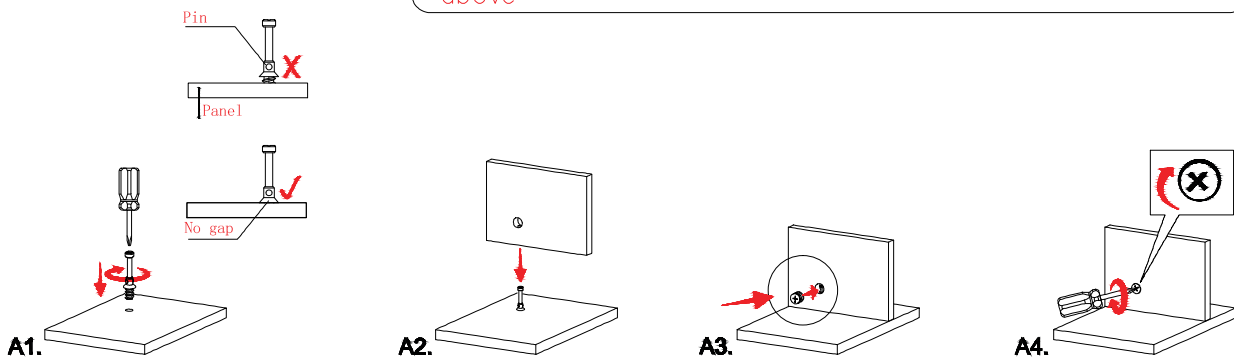
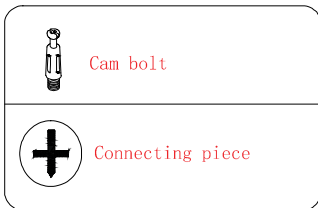
HARDWARE SPARE LIST

<p>B</p>  <p>6x40mm 2PCS</p>	<p>C</p>  <p>Ø15*12mm 2PCS</p>	<p>D</p>  <p>8x30mm 2PCS</p>	<p>E</p>  <p>M6x50mm 1PCS</p>	<p>F</p>  <p>1PCS</p>
<p>G</p>  <p>#3x14mm 4PCS</p>	<p>H</p>  <p>M8x35mm 1PCS</p>	<p>I</p>  <p>#8*1"mm 2PCS</p>	<p>K</p>  <p>#8*1-1/4"mm 1PCS</p>	

This furniture requires two people to assemble and move.
 Make sure no parts missing or damaged before assembly.





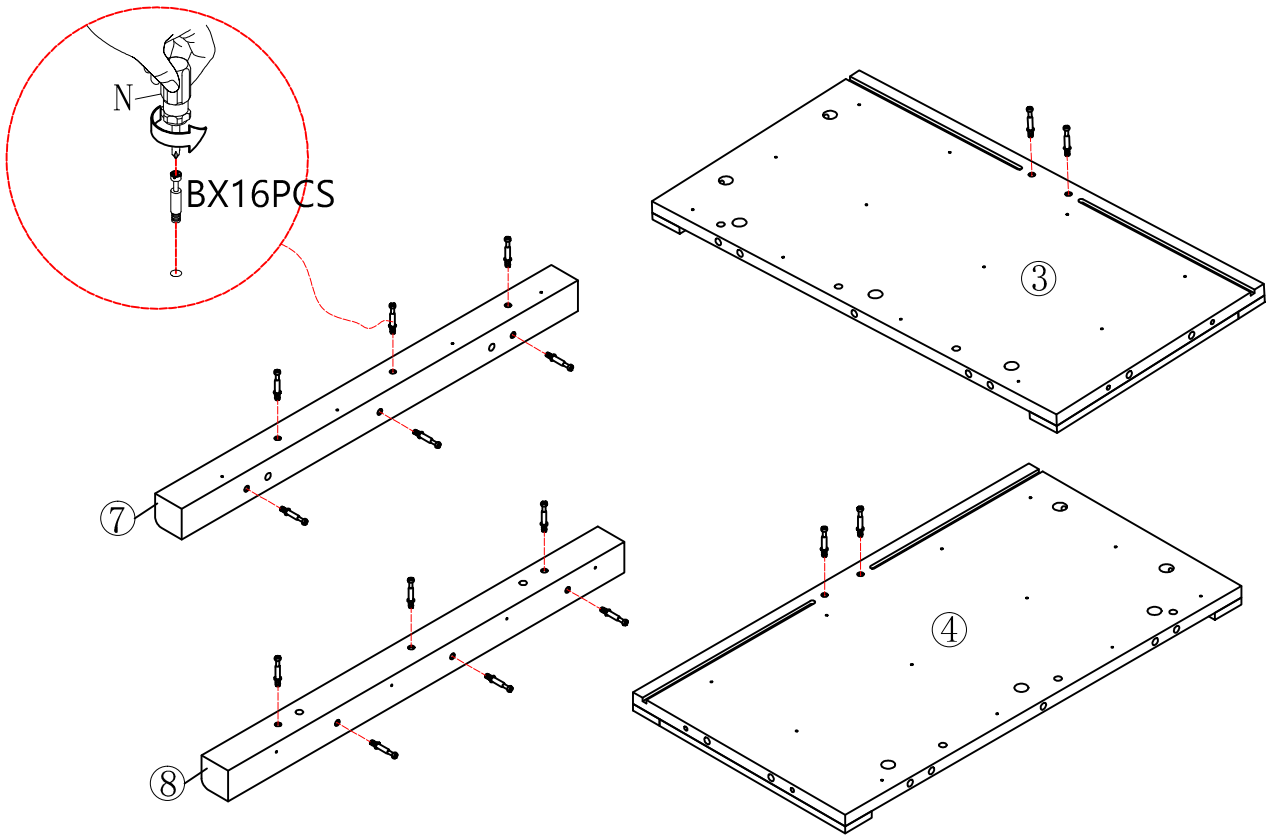
CAM BOLT INSTALLATION AS BELOW





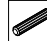
STEPS

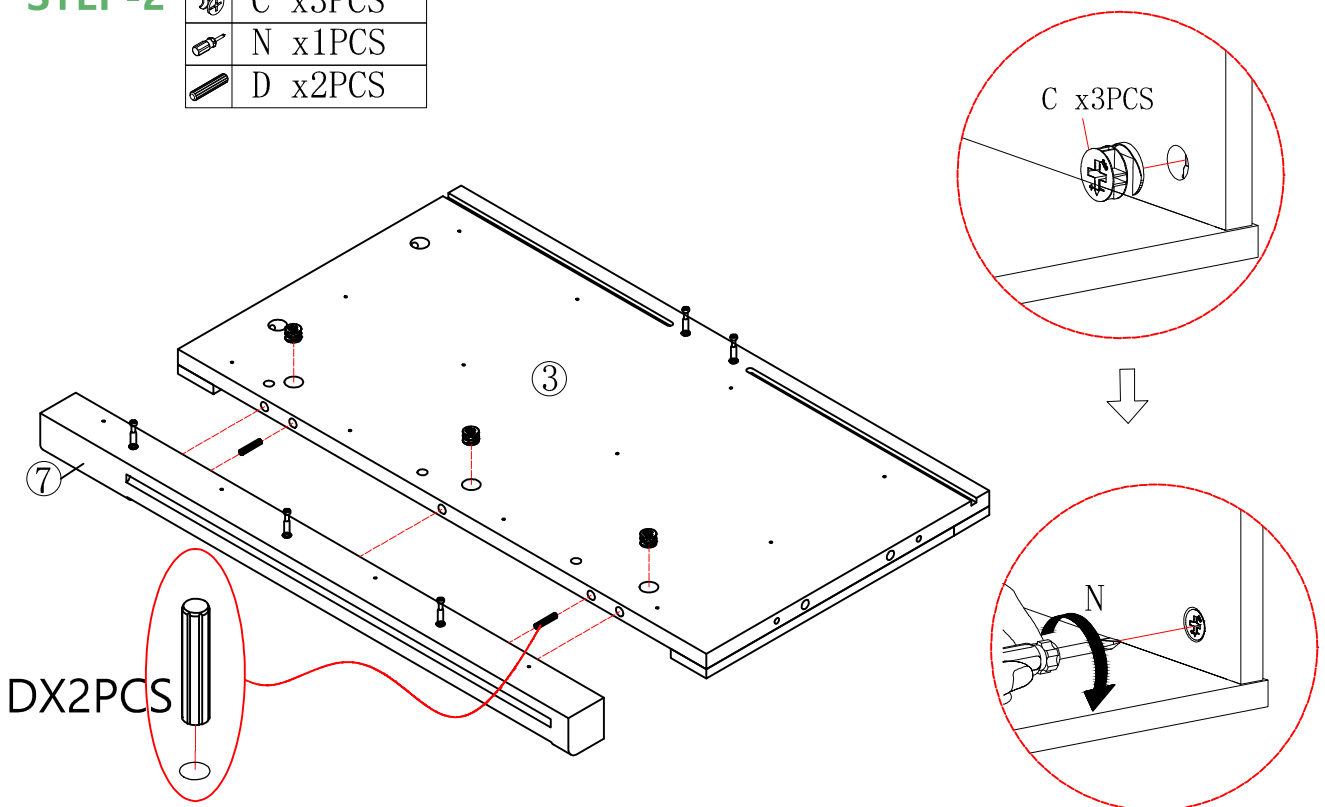
STEP-1

	B x16PCS		N x1PCS
---	----------	---	---------






STEP-2

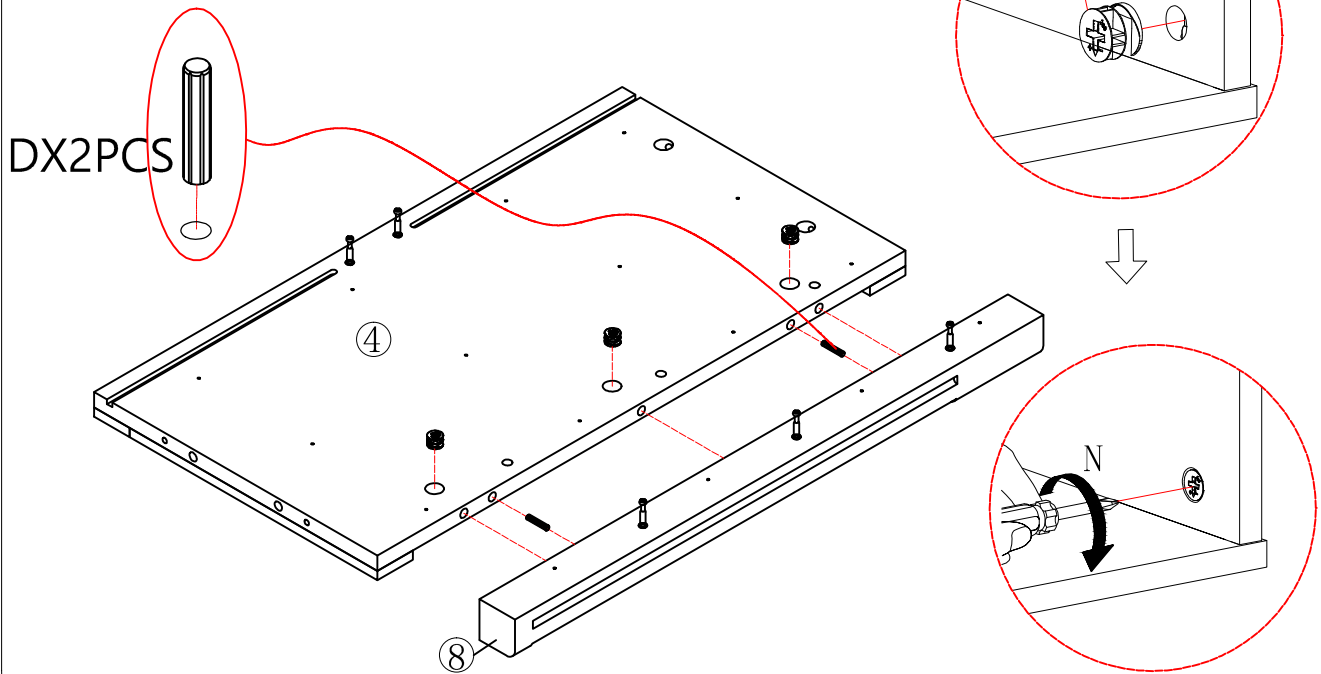
	C x3PCS
	N x1PCS
	D x2PCS





STEPS

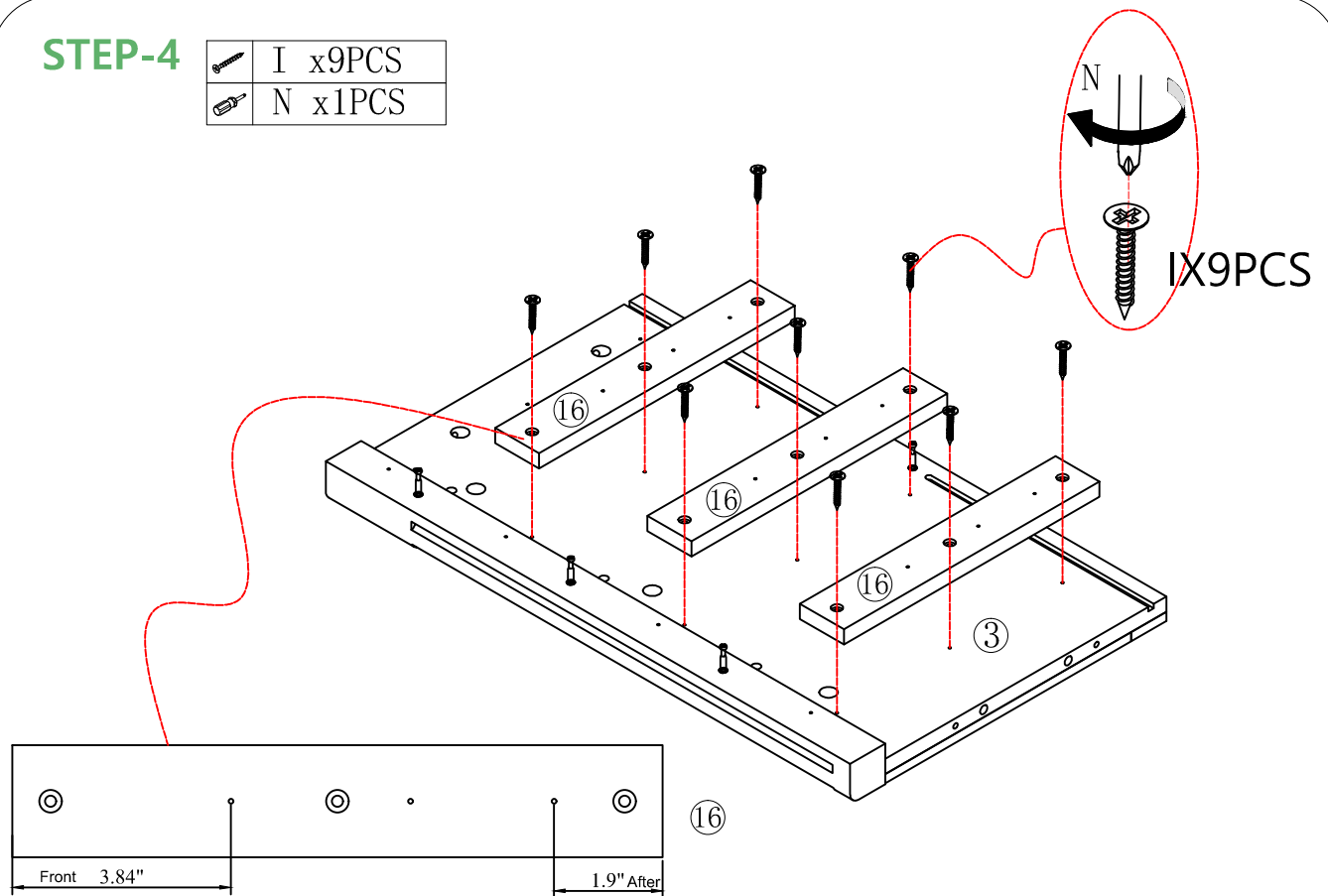
STEP-3

	C x3PCS
	N x1PCS
	D x2PCS





STEP-4

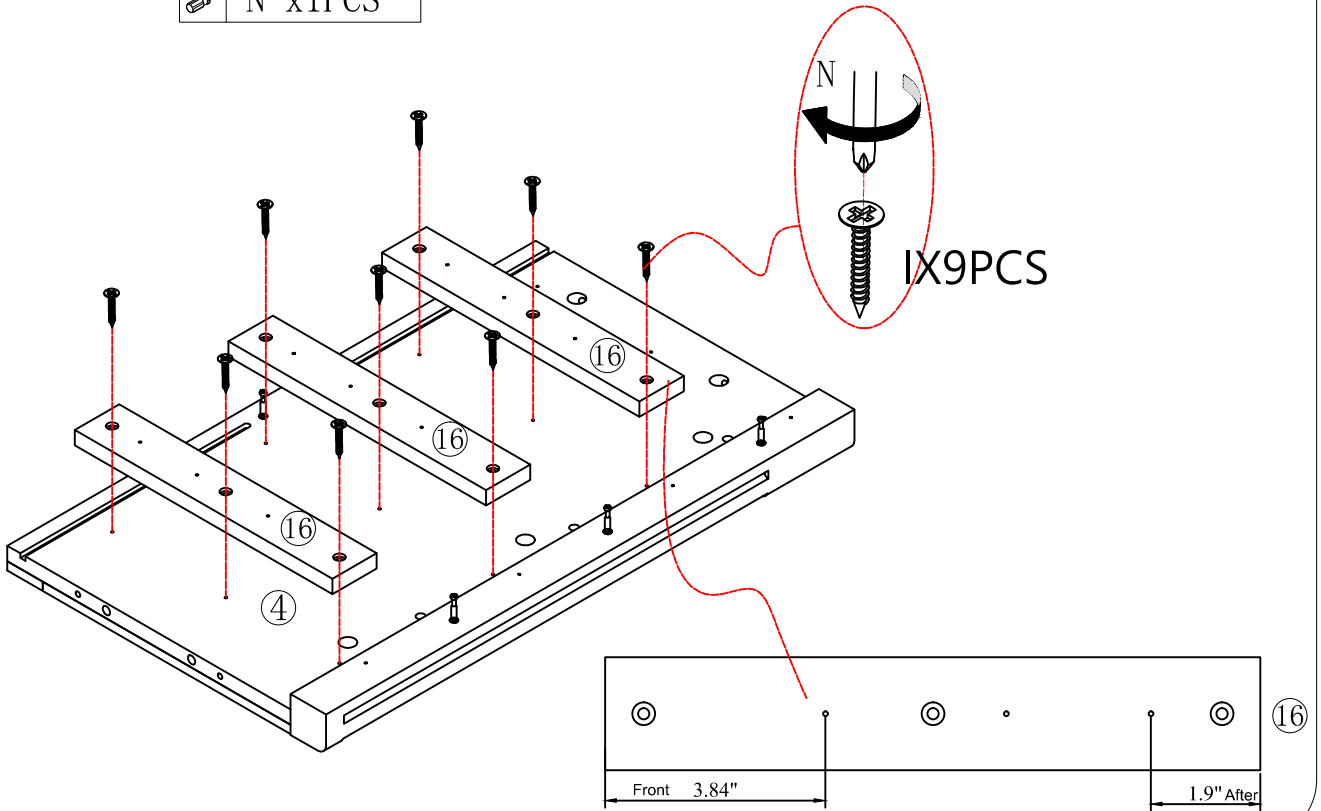
	I x9PCS
	N x1PCS




STEPS

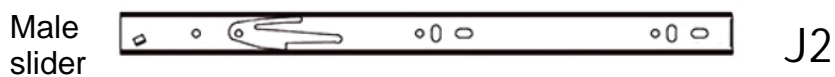
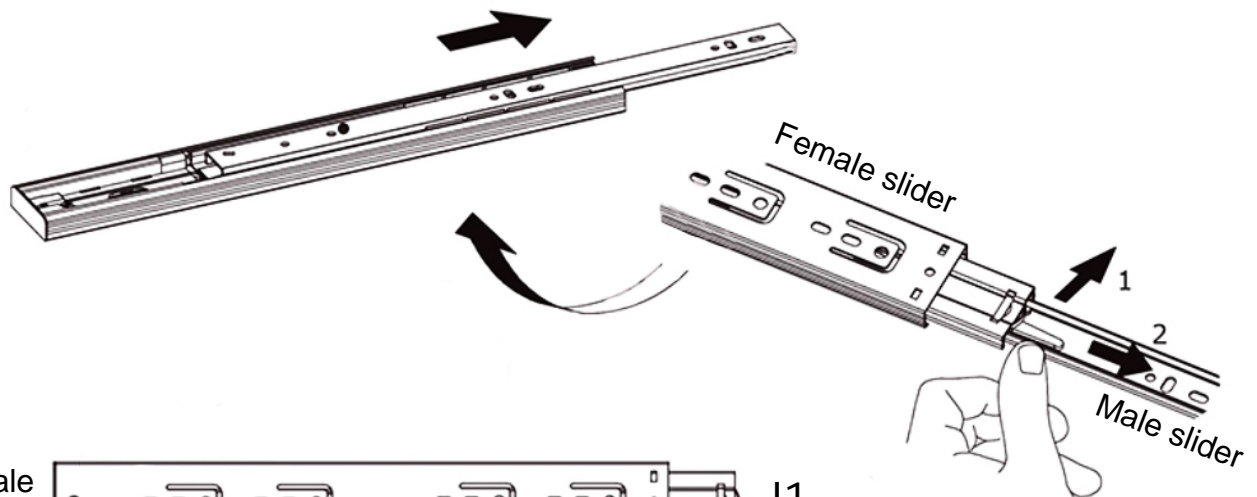
STEP-5

	I x9PCS
	N x1PCS






STEP-6

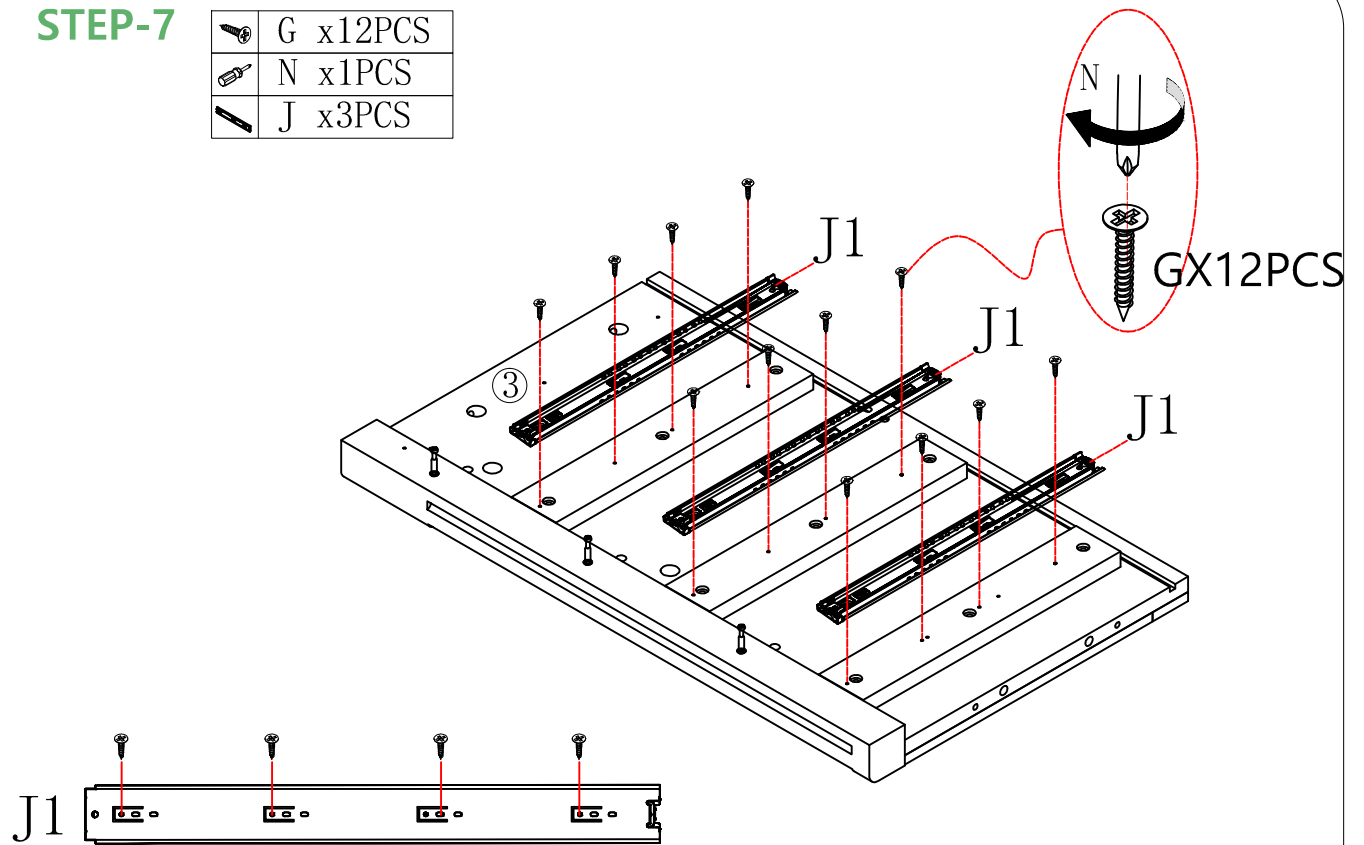
	J x6PCS
---	---------






STEPS

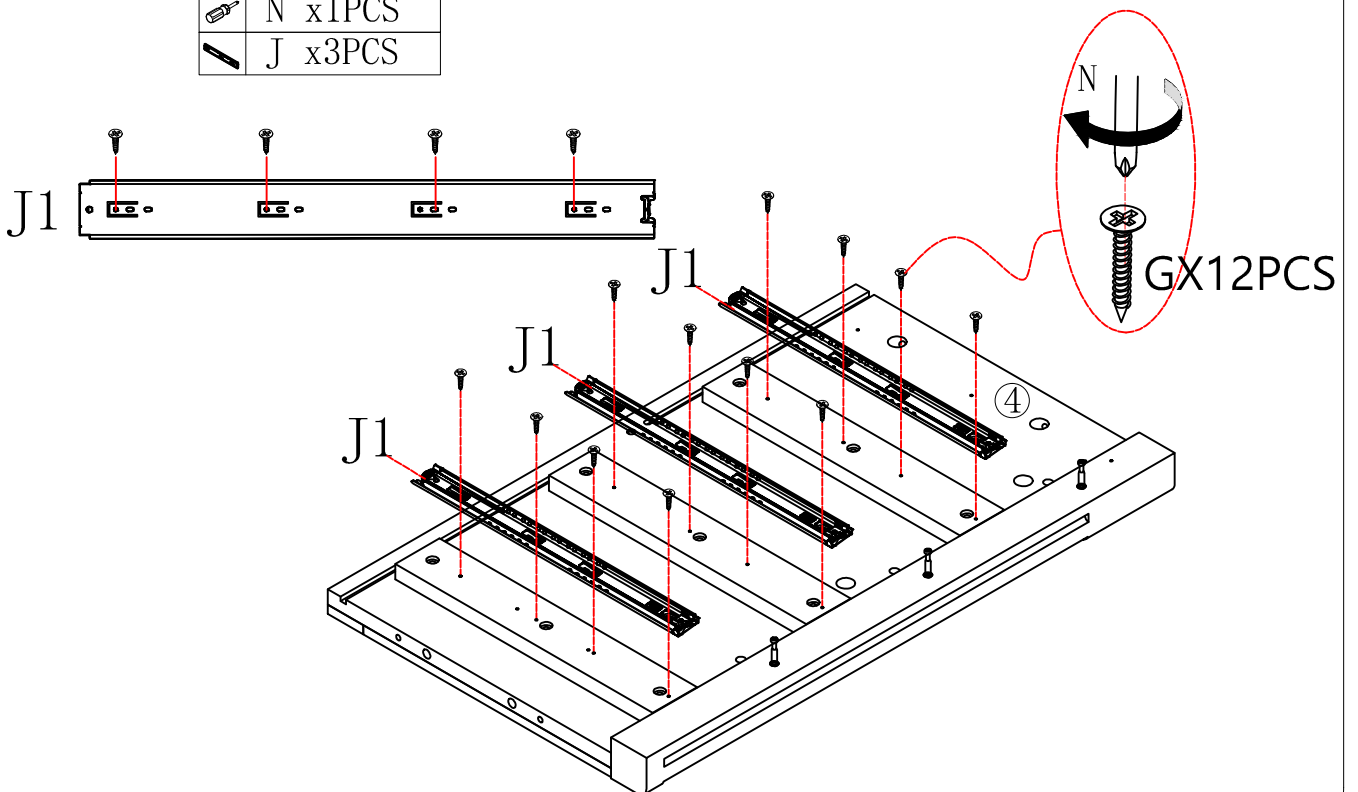
STEP-7

	G x12PCS
	N x1PCS
	J x3PCS






STEP-8

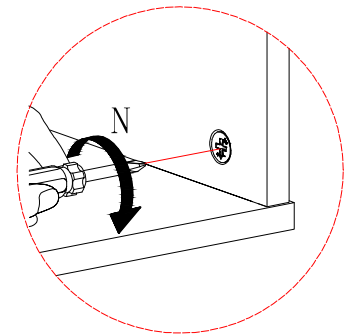
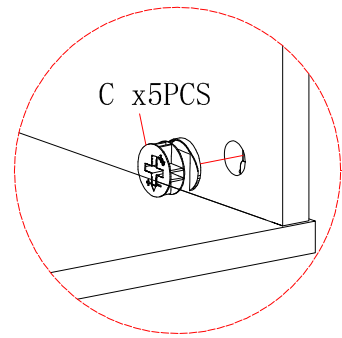
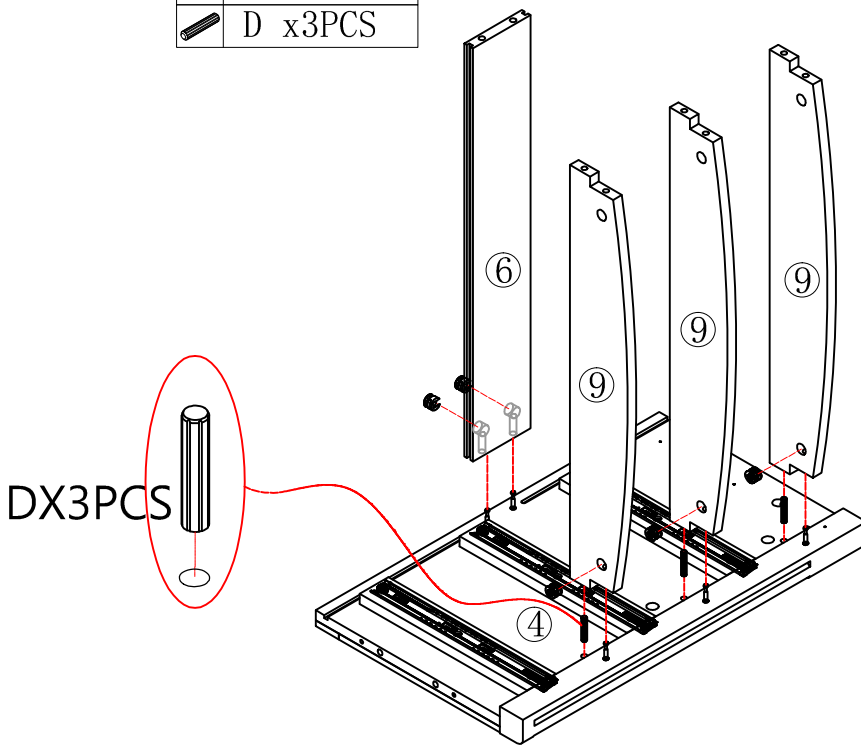
	G x12PCS
	N x1PCS
	J x3PCS






STEPS

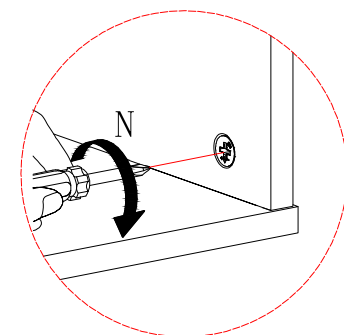
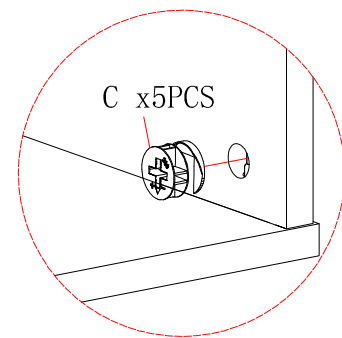
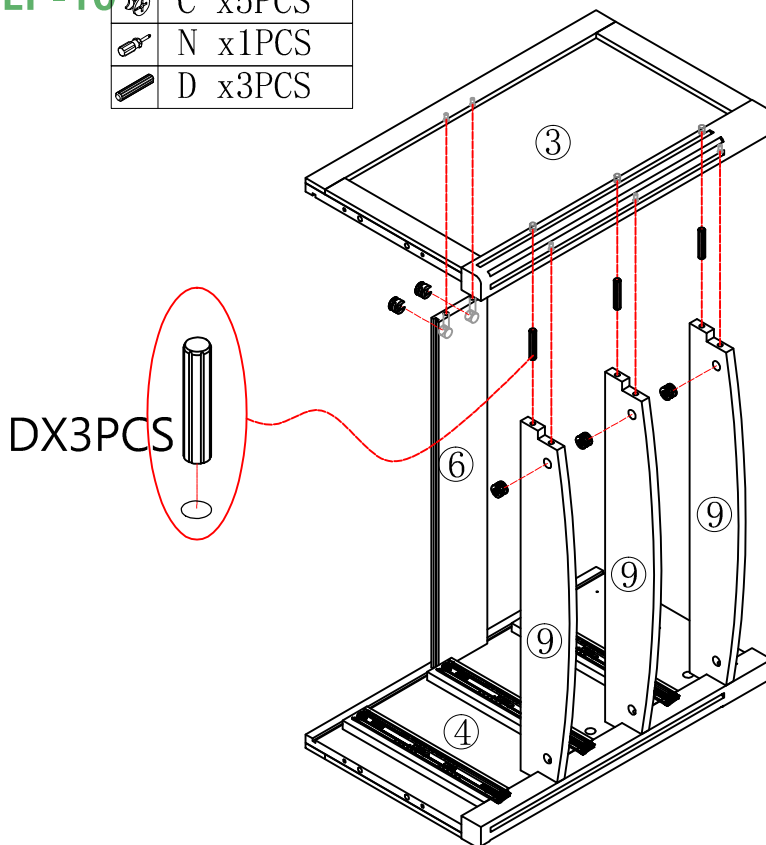
STEP-9

	C x5PCS
	N x1PCS
	D x3PCS



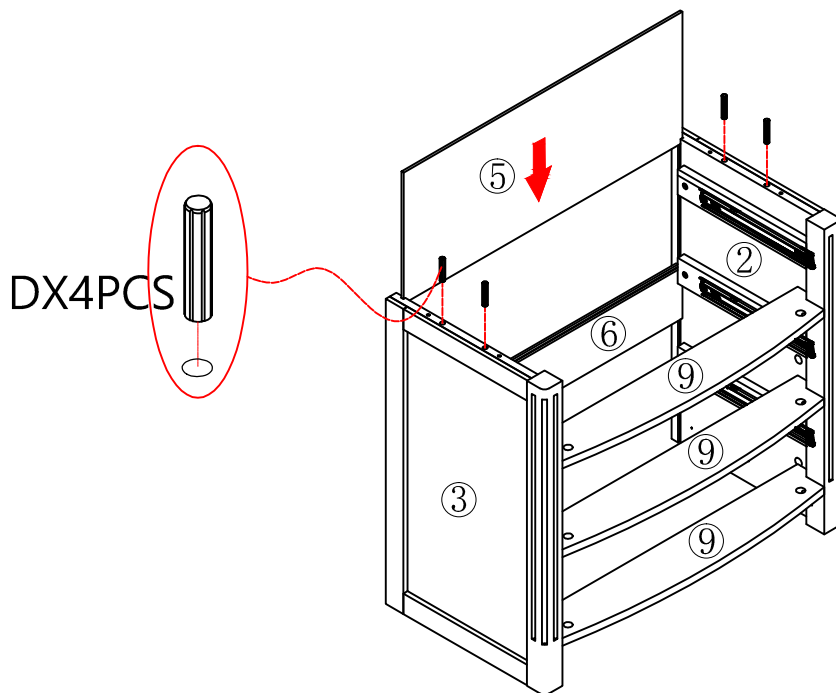
STEP-10

	C x5PCS
	N x1PCS
	D x3PCS

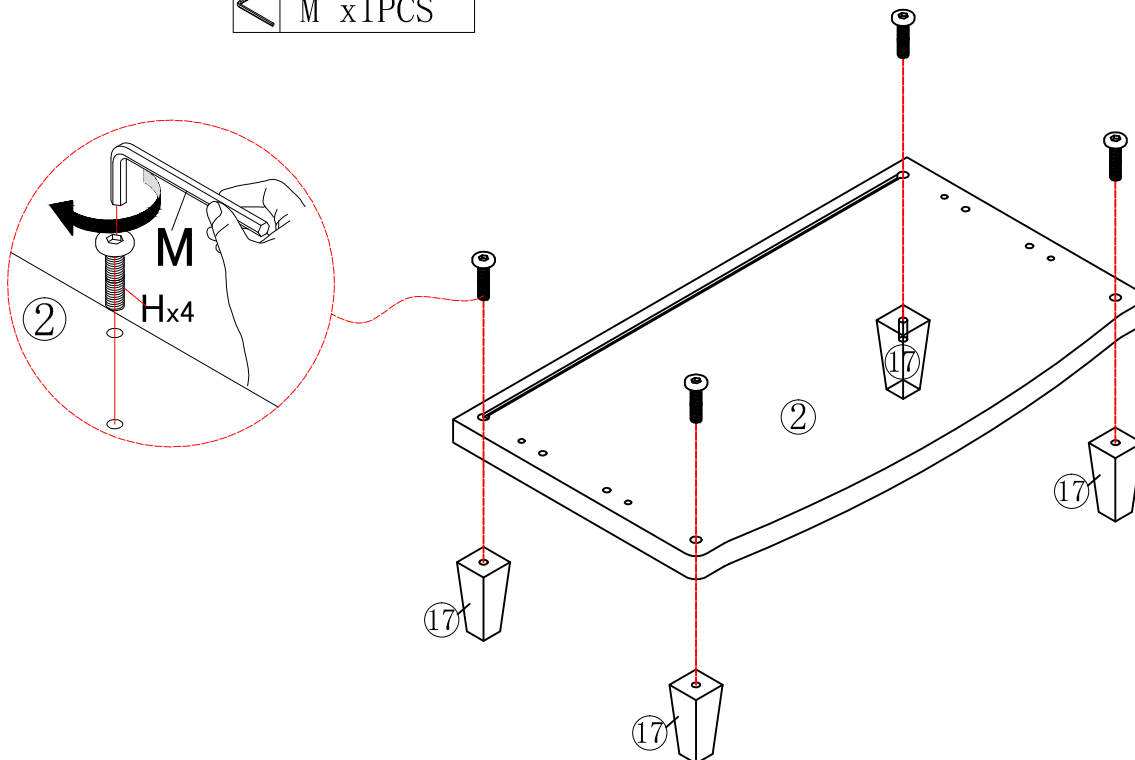


STEPS

STEP-11 D x4PCS





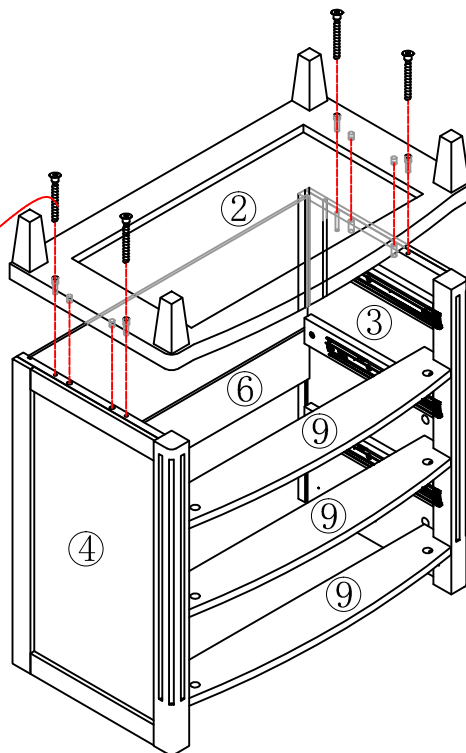
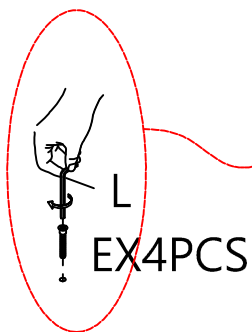
STEP-12 H x4PCS M x1PCS




STEPS

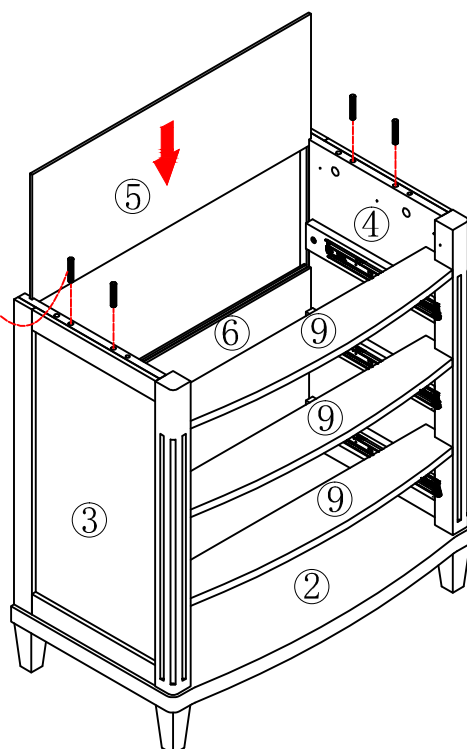
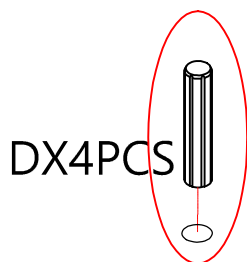
STEP-13

	E x4PCS
	L x1PCS





STEP-14

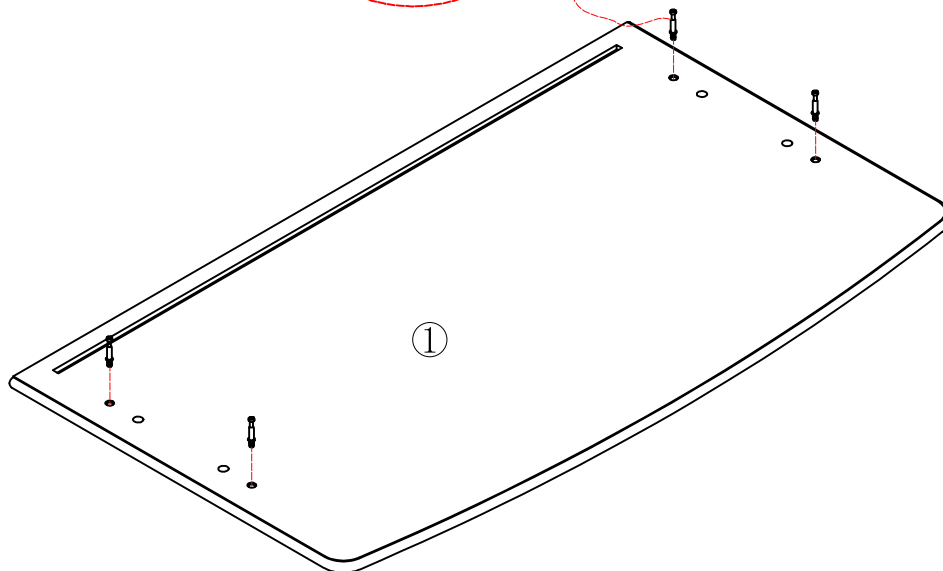
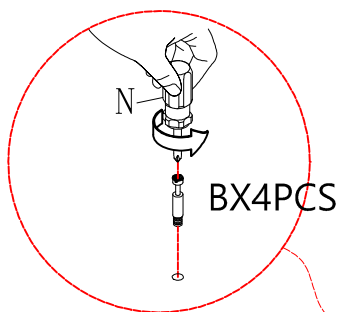
	D x4PCS
---	---------





STEPS

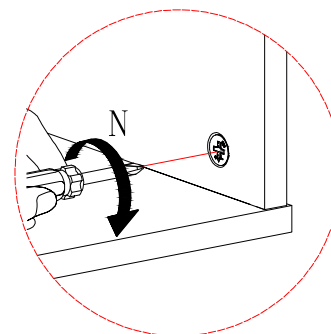
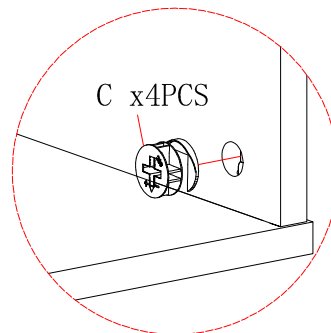
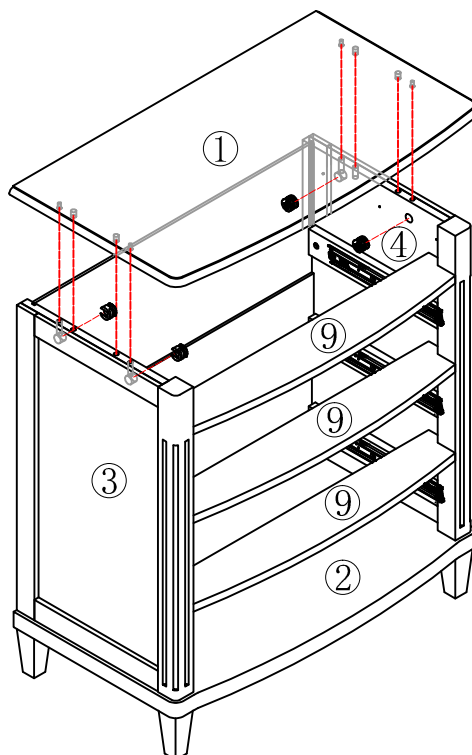
STEP-15

	B x4PCS
	N x1PCS





STEP-16

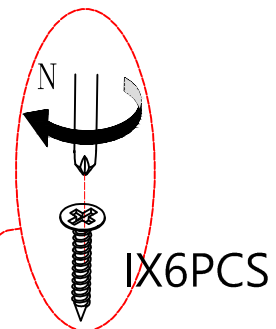
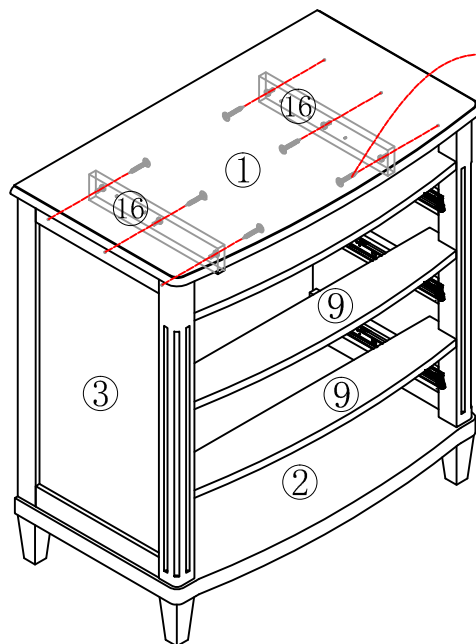
	C x4PCS
	N x1PCS






STEPS

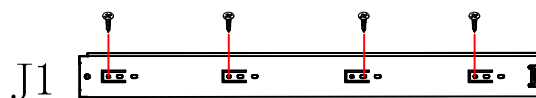
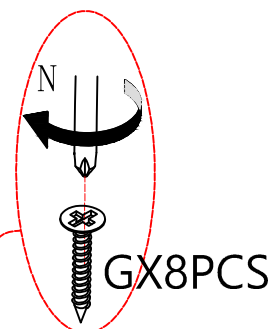
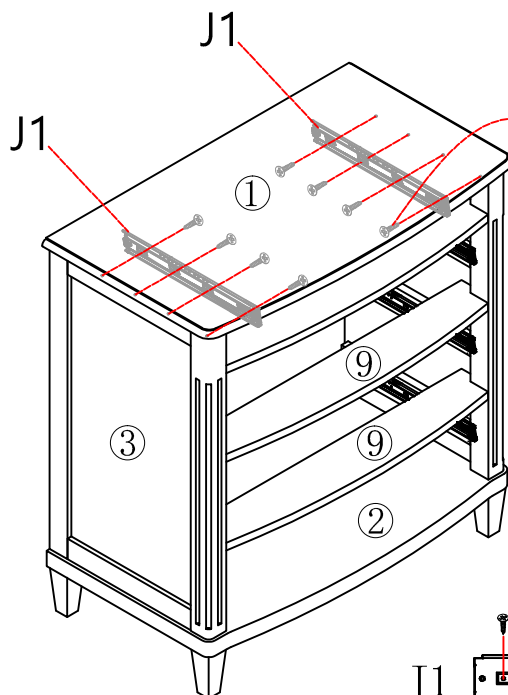
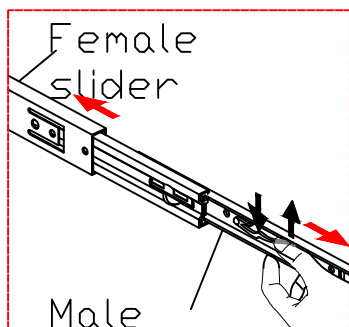
STEP-17

	I x6PCS
	N x1PCS







STEP-18

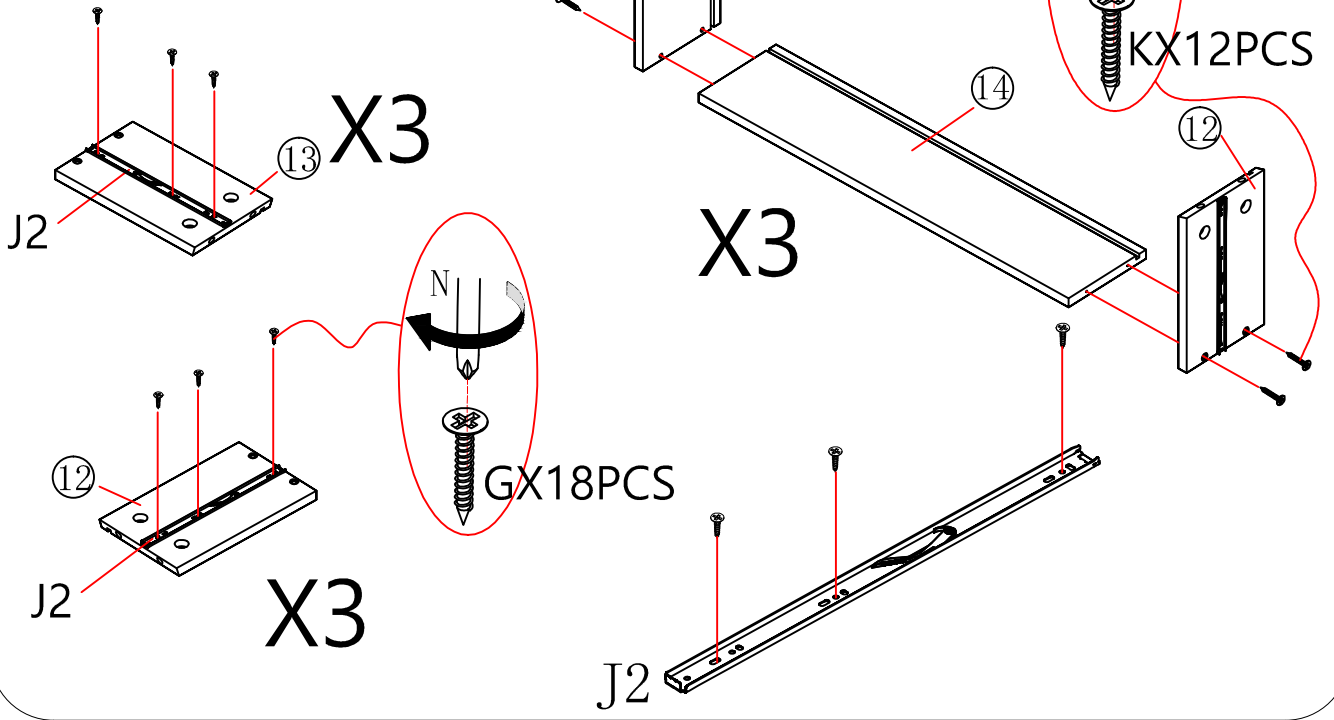
	G x8PCS
	N x1PCS
	J x2PCS



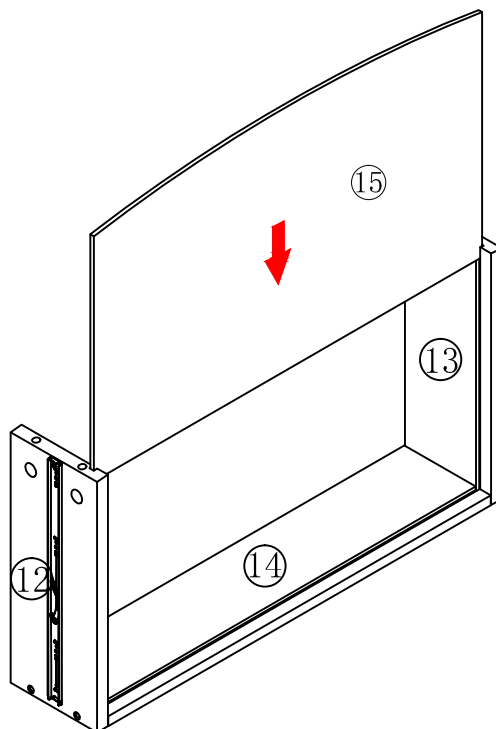
STEPS

STEP-19

	J x6PCS
	G x18PCS
	K x12PCS
	N x1PCS





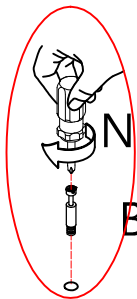
STEP-20



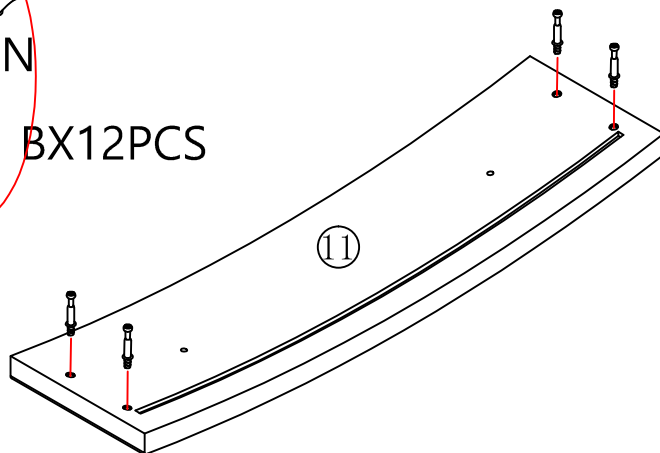
STEPS

STEP-21



	B x12PCS
	N x1PCS

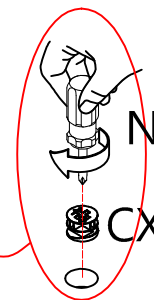


BX12PCS

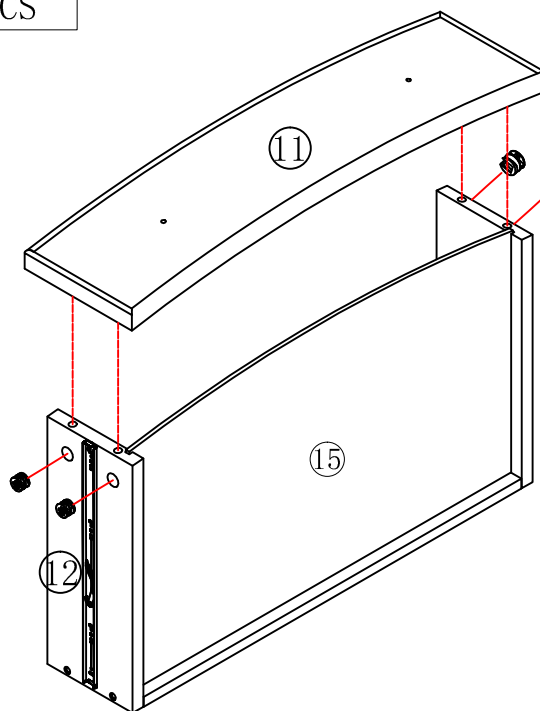


STEP-22

	C x12PCS
	N x1PCS

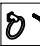



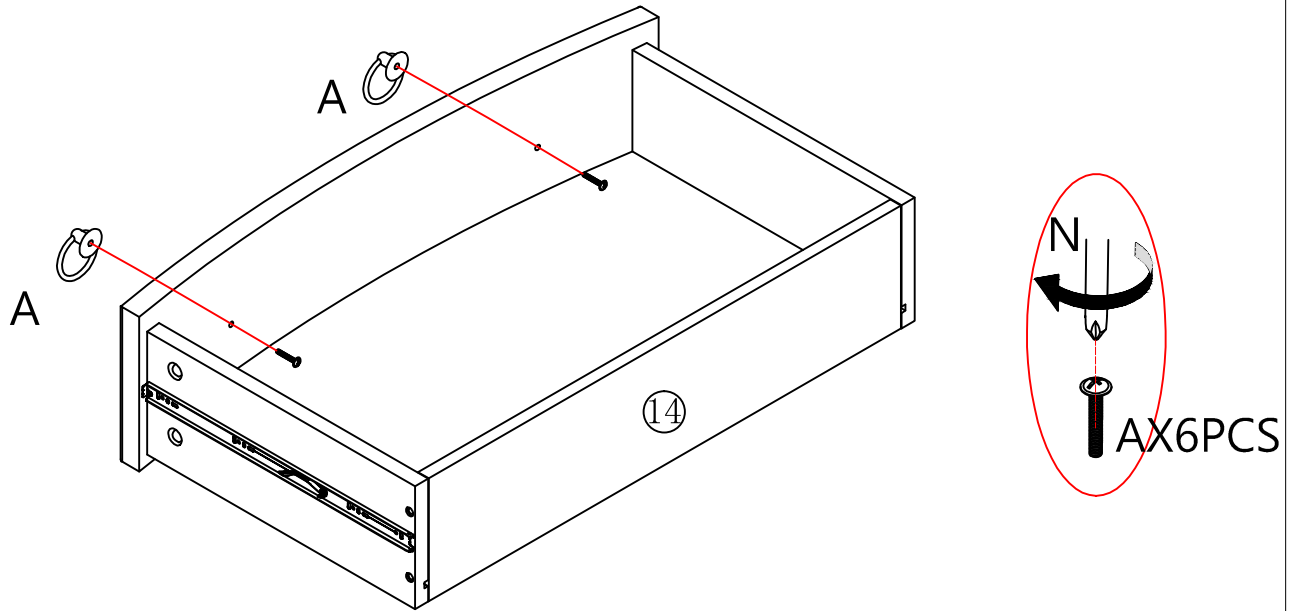
CX12PCS






STEPS

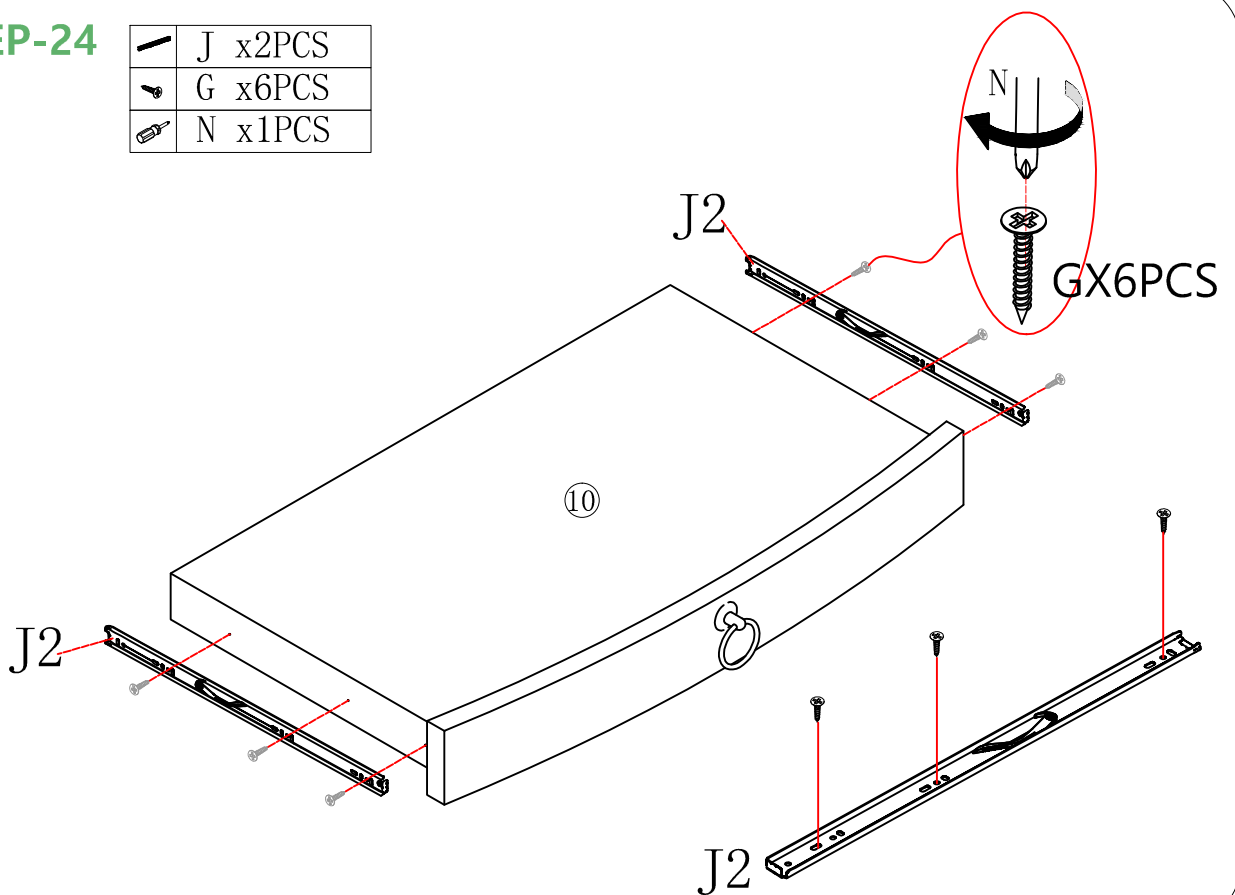
STEP-23

	A x6PCS
	N x1PCS






STEP-24

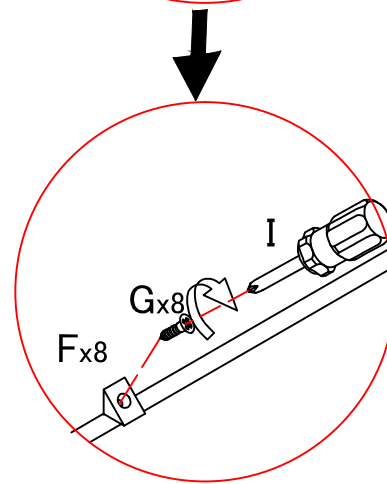
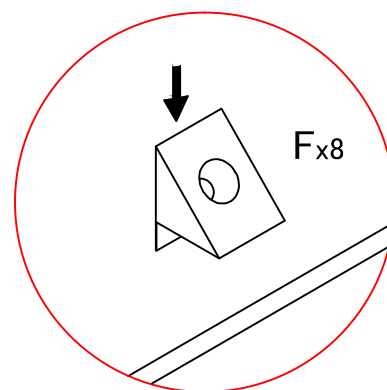
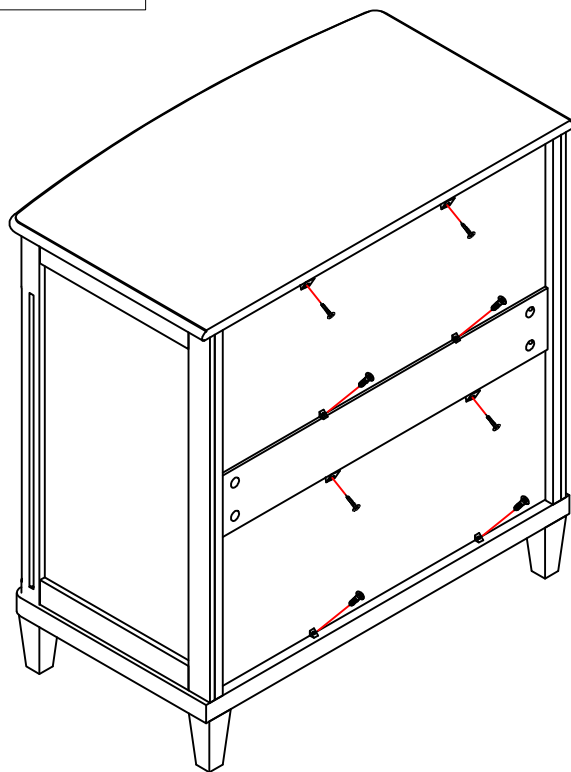
	J x2PCS
	G x6PCS
	N x1PCS



STEPS

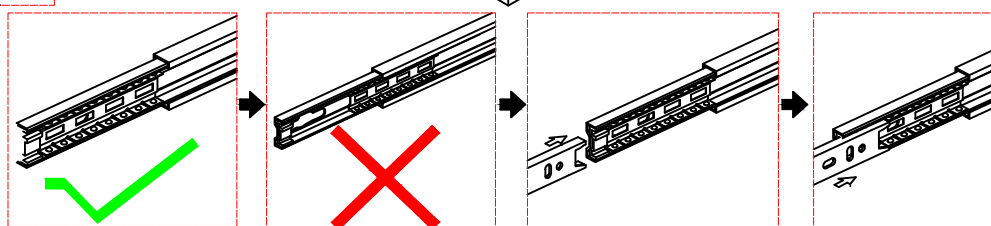
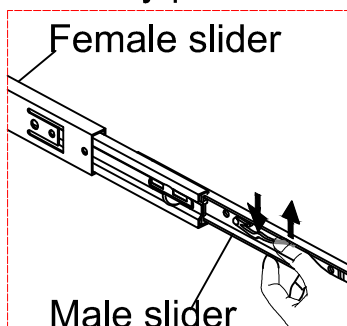
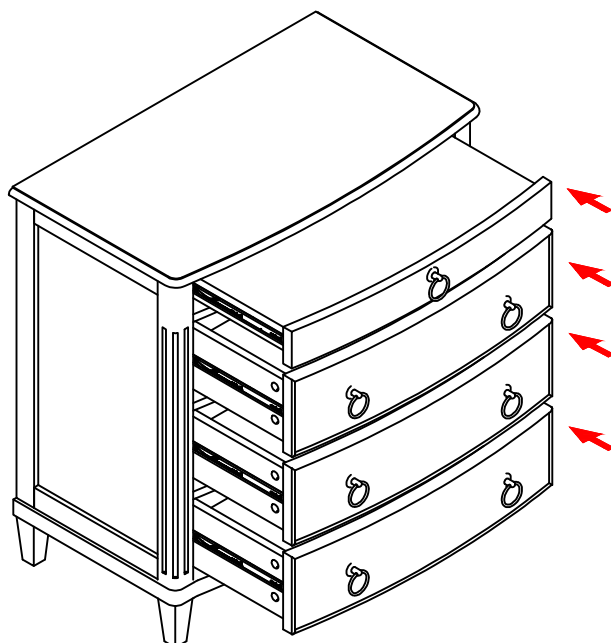
STEP-25

	F x8PCS
	N x1PCS
	G x8PCS





STEP-26






Align the end of the movable rail with the end of the fixed rail, gently push it forward until the snap sound sounds, indicating completion of the link. At this point, the drawer can be smoothly pushed and pulled.

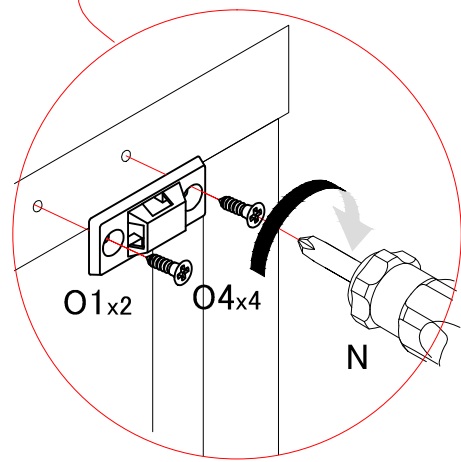
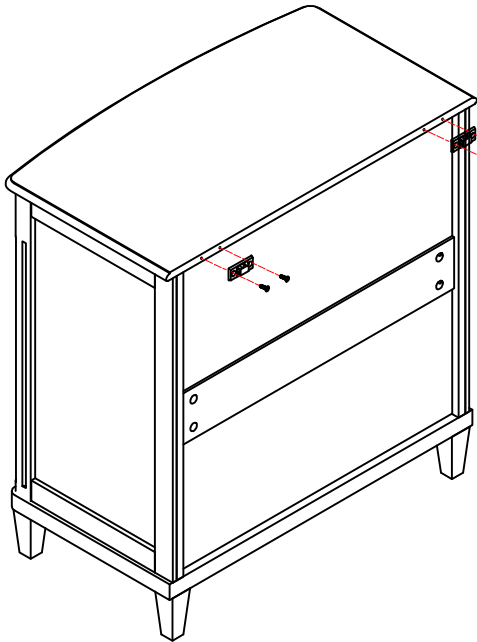


STEPS



STEP-27

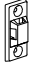




	0 x2PCS
	N x1PCS

-  01x2
-  02x4
-  03x4
-  04x4
-  05x2

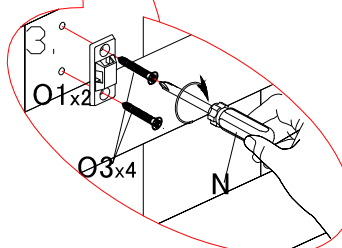
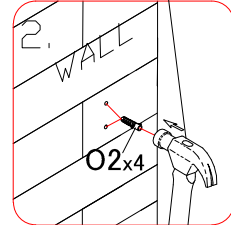
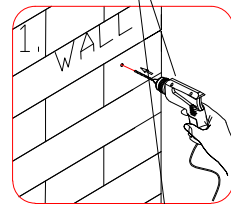
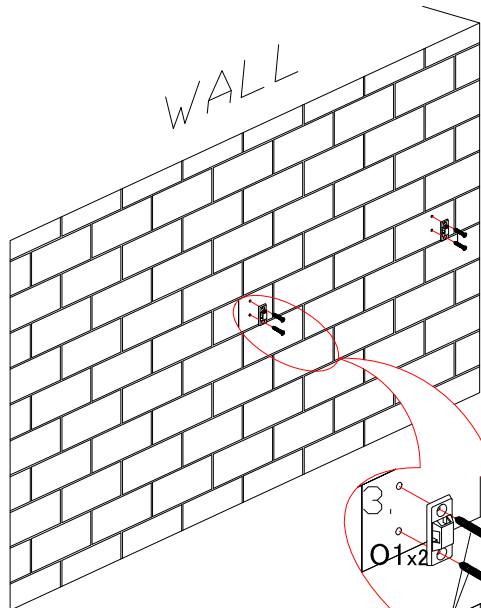


STEP-28

	0 x2PCS
	N x1PCS



-  01x2
-  02x4
-  03x4
-  04x4
-  05x2

NOT PROVIDED



STEPS

STEP-29

	O x2PCS
	N x1PCS

