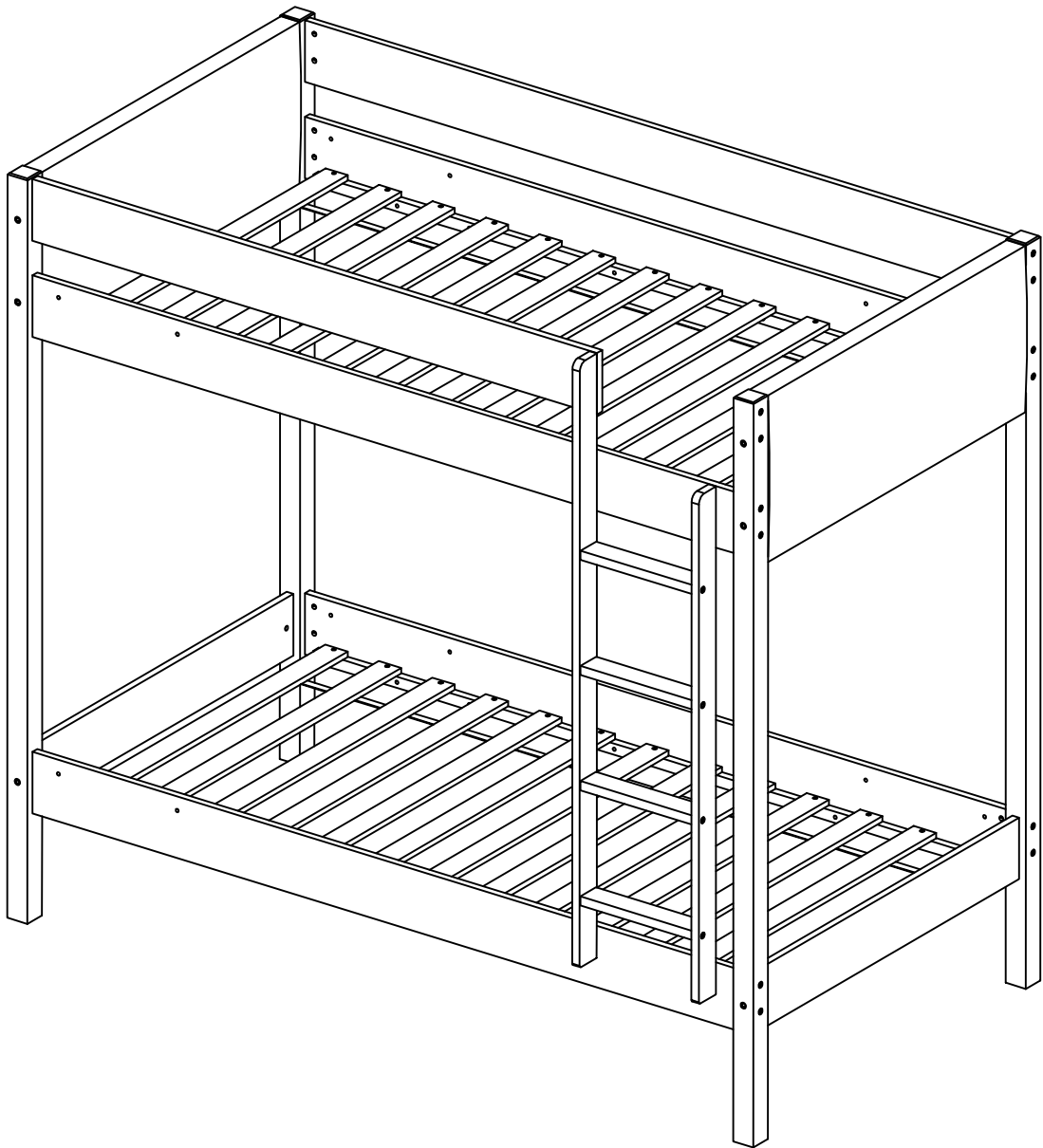


ASSEMBLY INSTRUCTIONS

TWIN/TWIN BUNK WITH CUSHION



504LQQBB0711



SAFETY WARNING



1. This bed is designed for use only mattress (es) meeting the following specifications on the upper bunk, and lower bunk:

Down bed

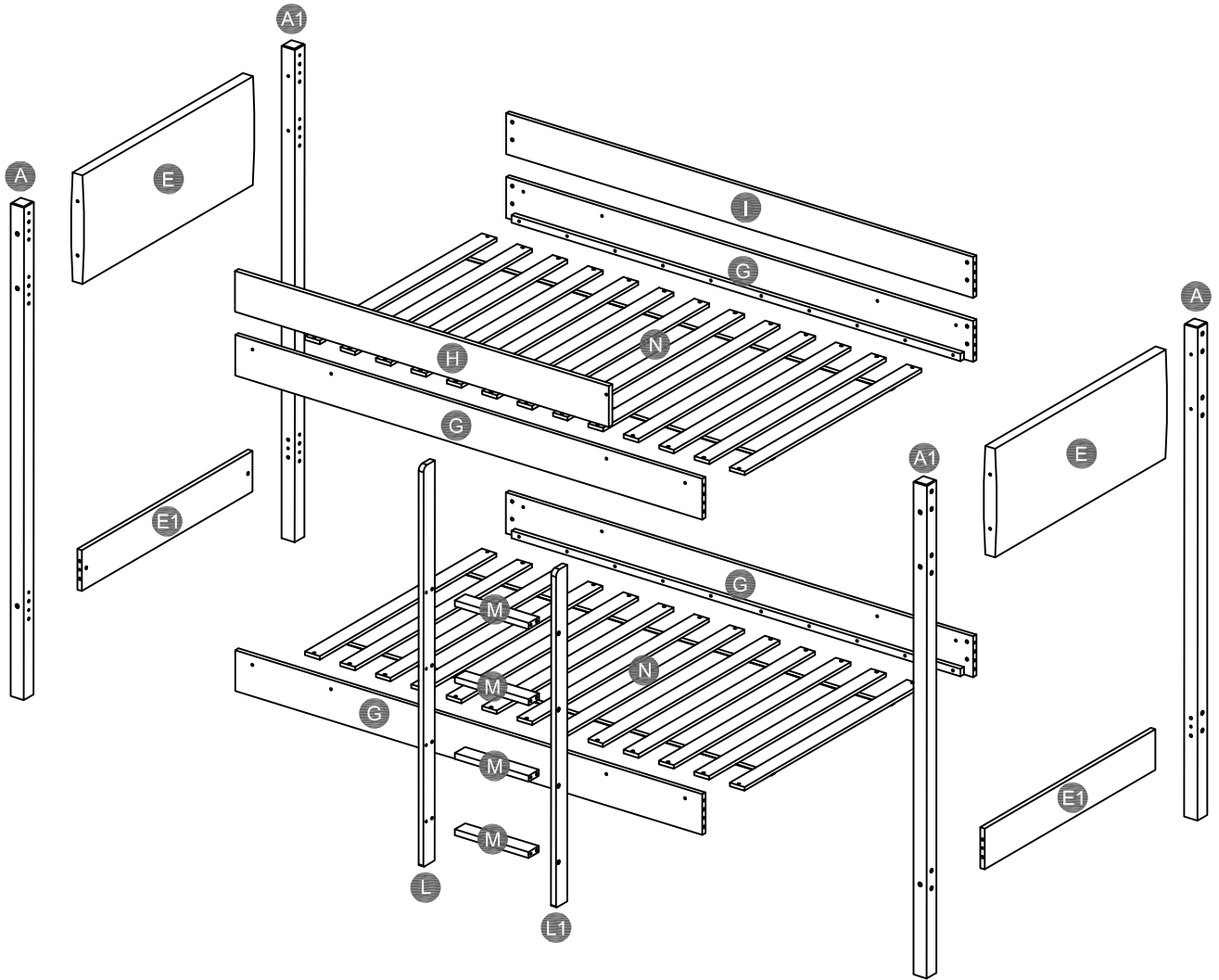
Bed type	Length	With	Thickness
Twin Standard	74"-75"	38 1/2"	6" max

Up bed (Bunk bed and tribed included)

Bed type	Length	With	Thickness
Twin Standard	74"-75"	38 1/2"	6" max

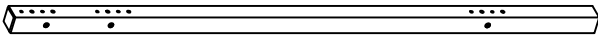
2. Replacement parts, including additional guardrails, maybe obtained from any of our dealers of GigaCloud Technology, (USA) /18961 ARENTH AVENUE,CITY OF INDUSTRY,CA, 91748 .
3. Follow the information on the warnings appearing on the upper bunk bed end structure and on the carton. Do not remove warning label from bed.
4. Always use the recommended size mattresses or mattress supports, or both, to help prevent the likelihood of entrapment or falls.
5. Surface of mattress must be at least 5" (127mm) below the upper edge of guardrails.
6. Do not allow children under 6 years of age to use the upper bunk.
7. Periodically check and ensure that the guardrail, ladder, and other components are in their proper position, free from damage, and that all connectors are tight.
8. Do not allow horseplay on or under the bed and prohibit jumping on the bed.
9. Always use the ladder for entering and leaving the upper bunk.
10. Do not use substitute part. Contact the manufacture or dealer for replacement part.
11. Use of a night light may provide added safety precaution for a child using the upper bunk.
12. Always use guardrails on both long sides of the upper bunk. If the bunk bed will be placed next to the wall, the guardrail that runs the full length of the bed should be placed against the wall to prevent entrapment between the bed and wall.
13. The use of water or sleep flotation mattresses is prohibited.
14. STRANGULATION HAZARD - Never attach or hang items to any part of the bunk bed that are not designed for use with the bed; for example, but not limited to, hook, belts and jump ropes.
15. Keep these instruction for future reference.

Detail View



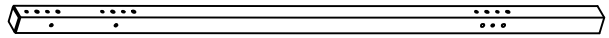
Part List

A



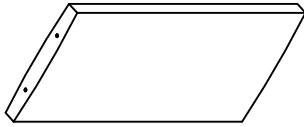
Leg - 2pcs

A1



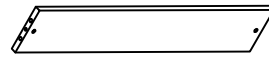
Leg - 2pcs

E



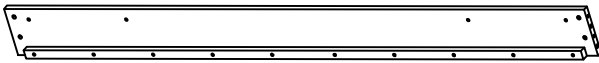
Hb. Fb. Upper Panel - 2pcs

E1



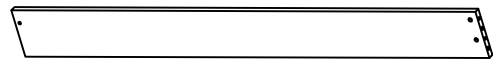
Hb. Fb. Lower Panel - 2pcs

G



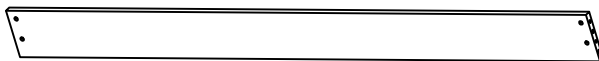
Side Rail Upper & Lower (Front & Back) - 4pcs

H



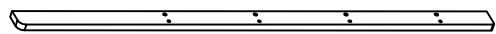
Guardrail Upper (Front) - 1pc

I



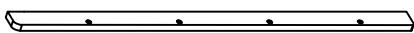
Guardrail Upper (Back) - 1pc

L



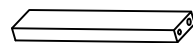
Ladder Rail Left (Long) - 1pc

L1



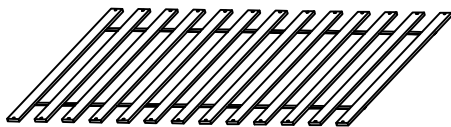
Ladder Rail Right (Short) - 1pc

M




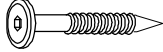

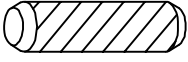
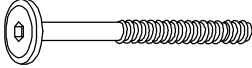
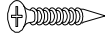




Ladder Step - 4pcs

N

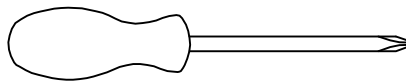


Bed Slats - 2Sets

Hardware List





1  M6 x 90mm JCBC (26pcs)	2  M6 x 50mm JCBC-W (13pcs)	3  M6 x 15mm Barrel Nut (26pcs)
4  M10 x 30mm Wood Dowel (38pcs)	5  M8 x 80mm JCB (8pcs)	6  M4 x 25mm CSK Screw (44pcs)
7  M6 x 30mm JCBC-W (8pcs)	8  Sticker Cap (10pcs)	9  M4 Allen Key (1pc)
10  M5 Allen Key (1pc)		

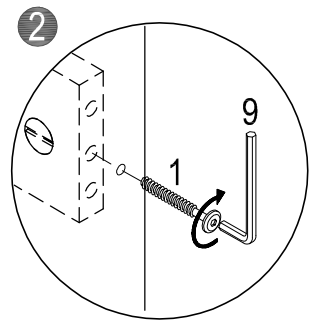
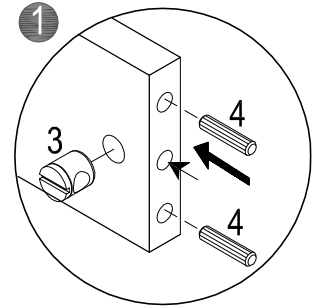
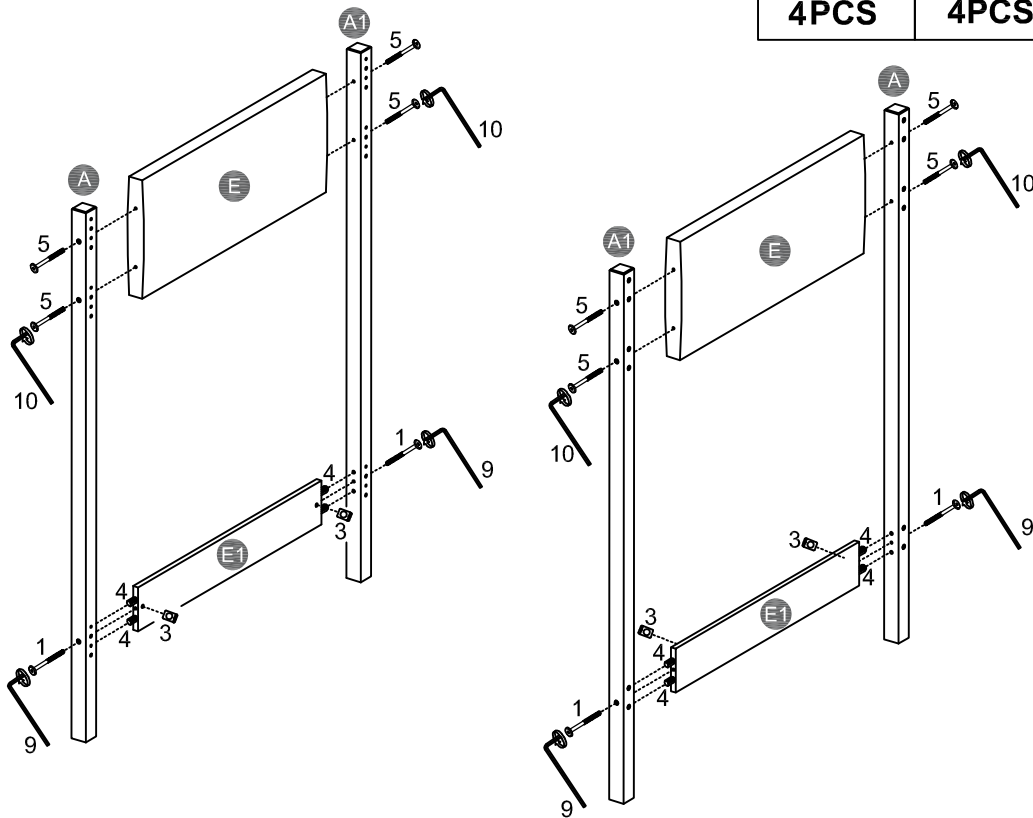
ASSEMBLY TOOLS REQUIRED (NOT INCLUDED)






PLEASE BE CAREFUL DO NOT DAMAGE THE HOLE POSITION WHEN YOU USE POWER TOOLS !

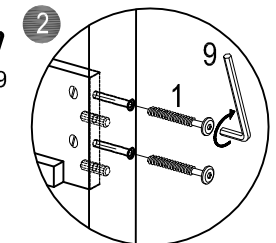
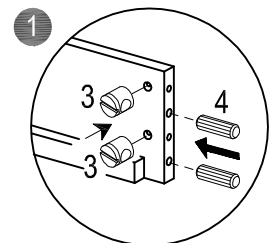
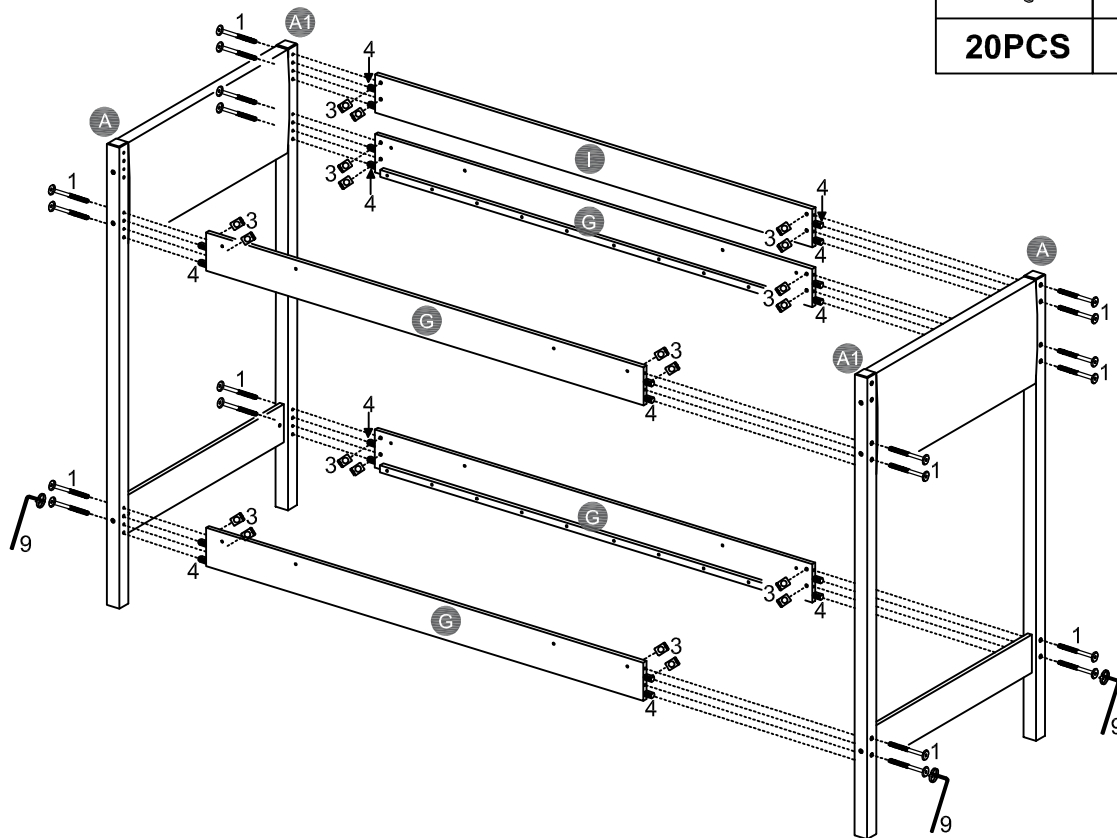
STEP 1:

1		3		4		5	
4PCS		4PCS		8PCS		8PCS	

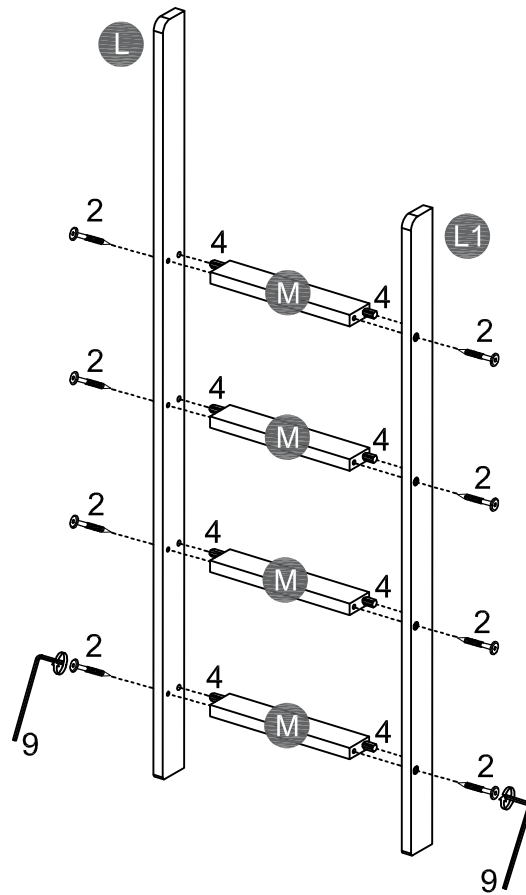


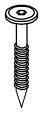

STEP 2:

1		3		4	
20PCS		20PCS		20PCS	

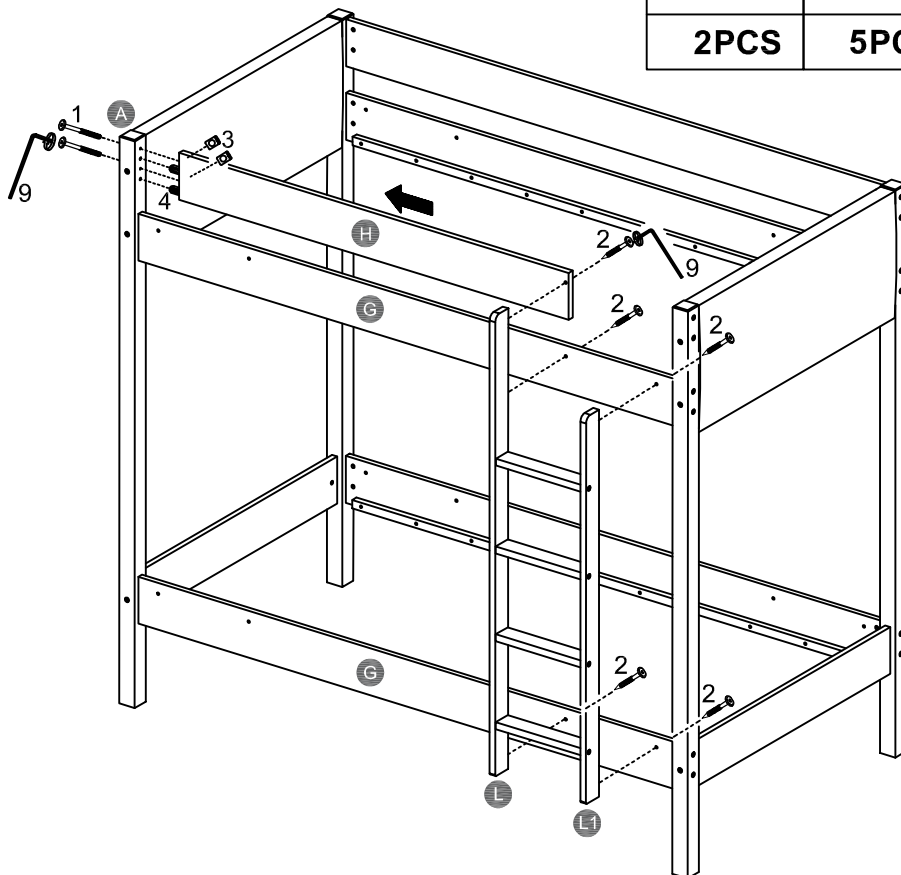






STEP 3:

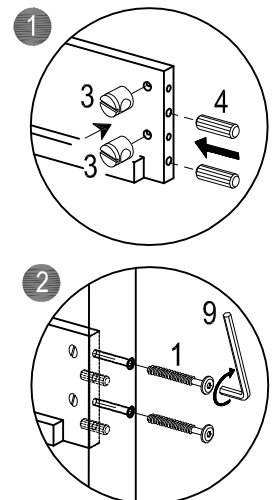


2		4	
8PCS		8PCS	

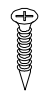

STEP 4:

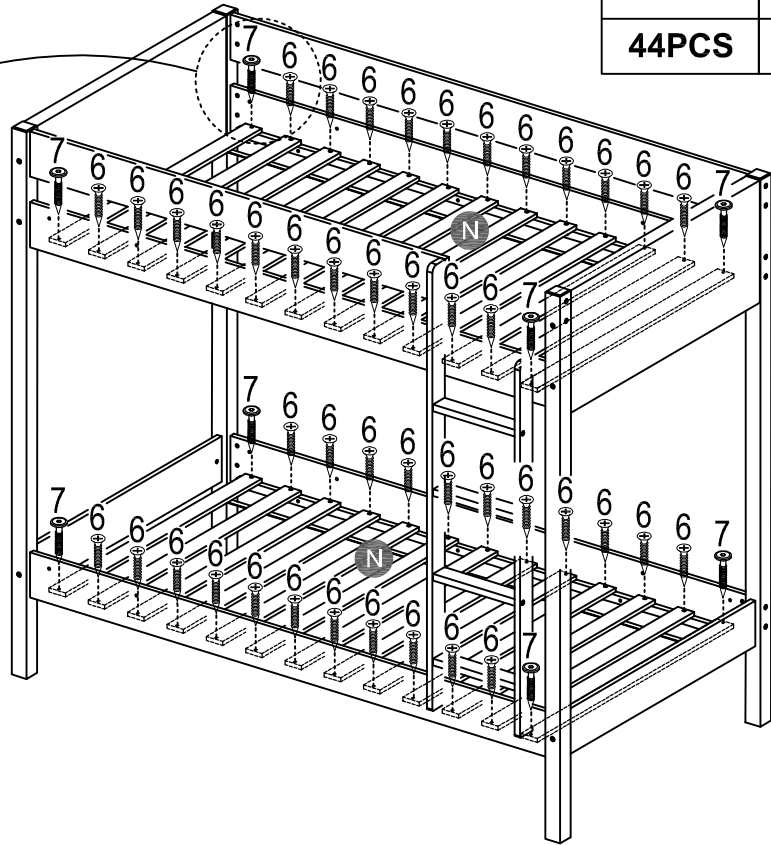
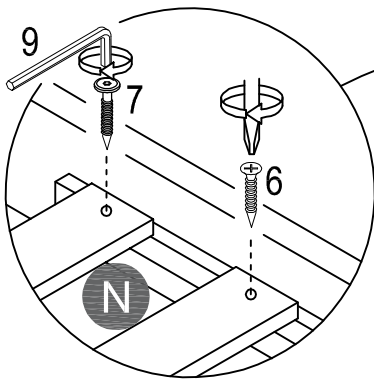


1		2		3		4	
2PCS		5PCS		2PCS		2PCS	




STEP 5:

6		7	
44PCS		8PCS	



STEP 6:

8	
10PCS	

