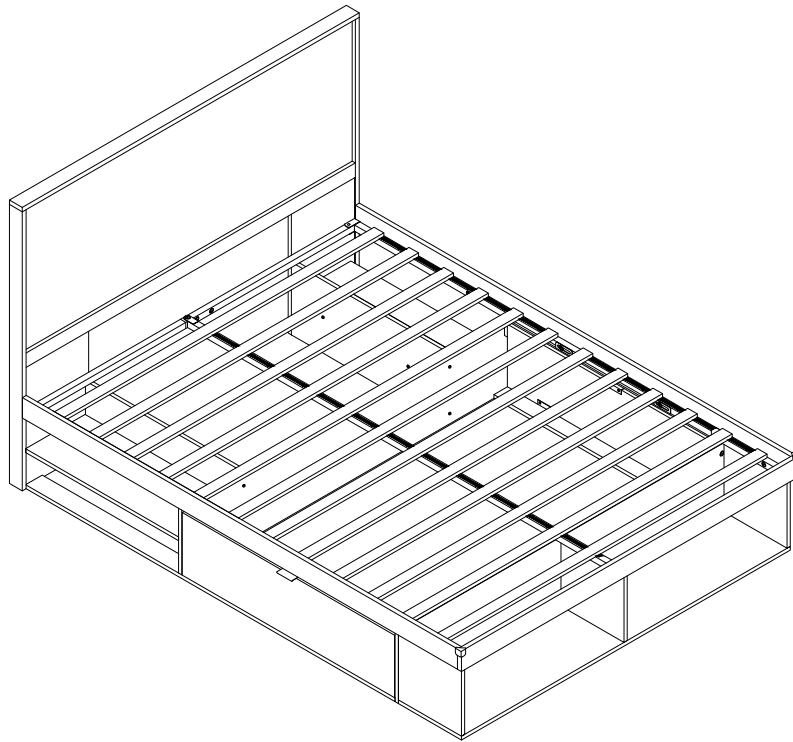


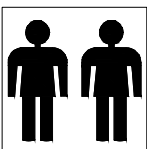
ASSEMBLY INSTRUCTION



ITEM NUMBER: QF291

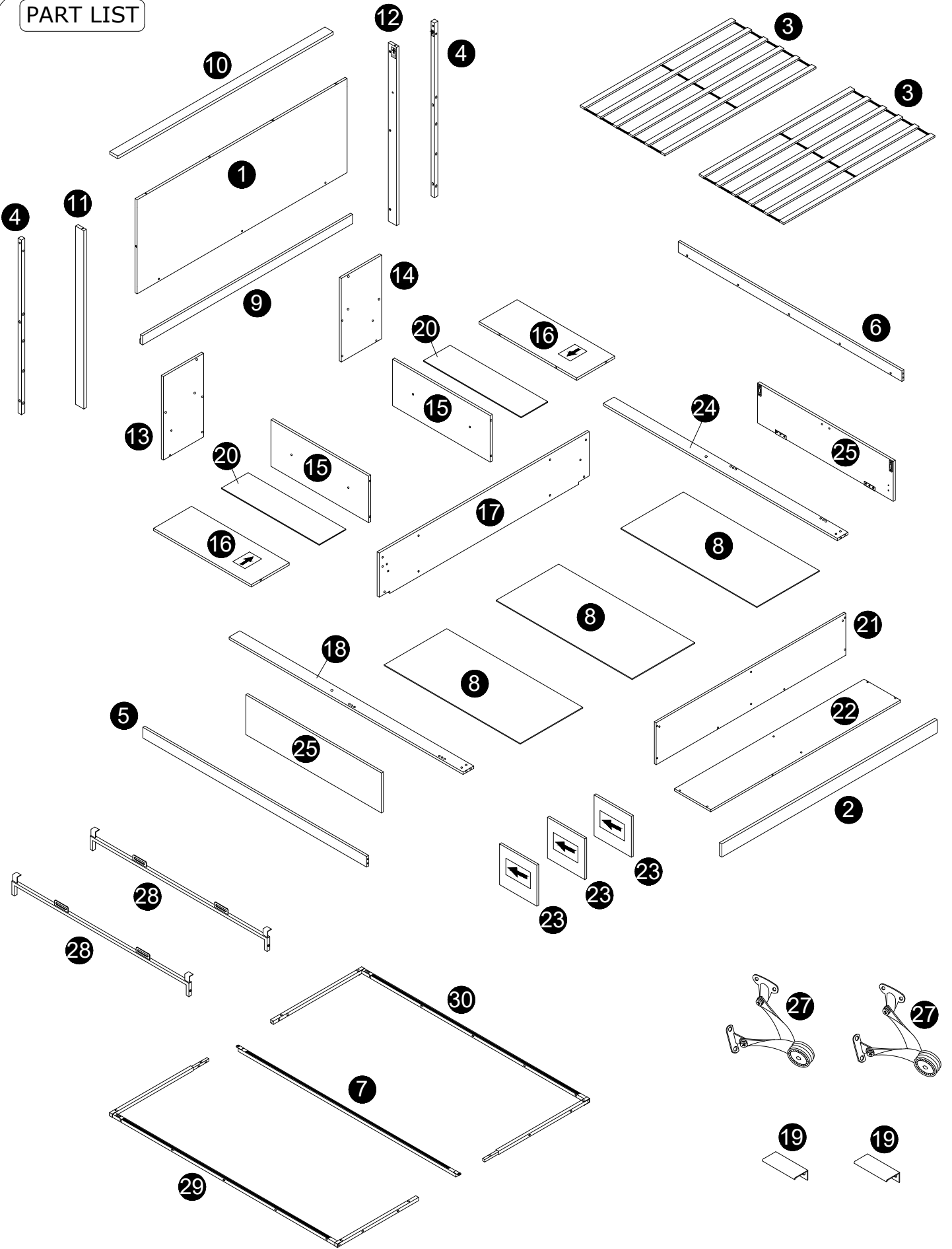
IMPORTANT NOTE

1. For the protection of your furniture, place all parts on a clean and smooth surface to prevent any damage.
2. Keep fittings out of children's reach and keep children well away from construction area.
3. When moving your assembled bed, it is best to lift the bed and never to drag it.
4. Do not use this product if parts are missing, damaged or worn.
5. This product should only be used on firm, level ground.
6. Please periodically check all fittings and re-tighten as necessary.
7. Do not use the bed unless all bolts and screws are firmly secured.
8. For further assistance, please provide a screenshot of your order and contact us via email at happycustomerscn@hotmail.com



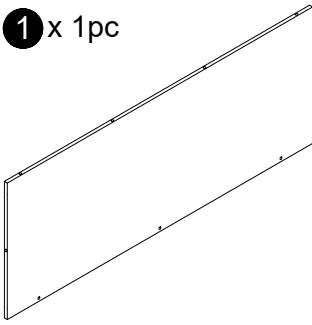
Minimum two
person assembly

PART LIST

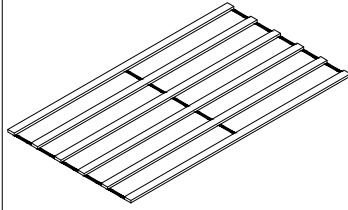


Components of Carton A

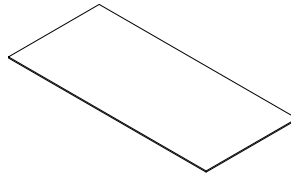
1 x 1pc



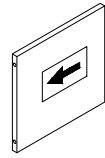
3 x 2pcs



8 x 3pcs

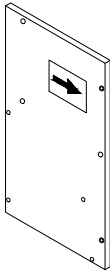


23 x 3pcs

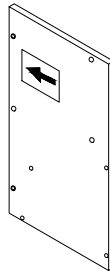


Components of Carton B

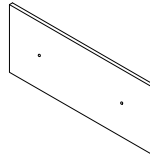
13 x 1pc



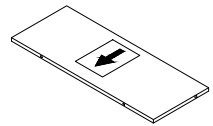
14 x 1pc



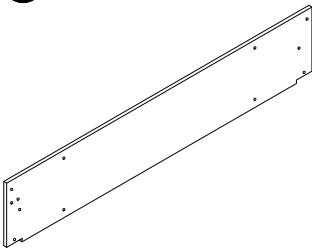
15 x 2pcs



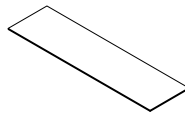
16 x 2pcs



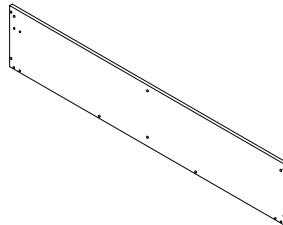
17 x 1pc



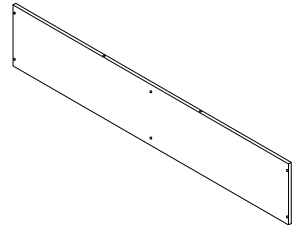
20 x 2pcs



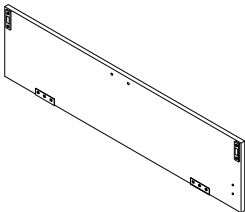
21 x 1pc



22 x 1pc

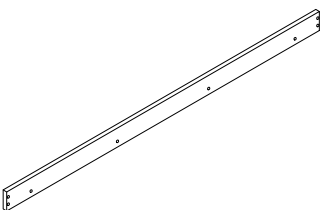


25 x 2pcs



Components of Carton C

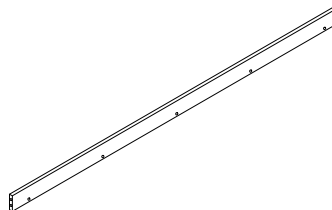
2 x 1pc



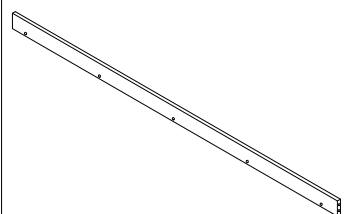
4 x 2pcs

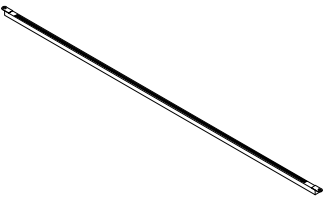
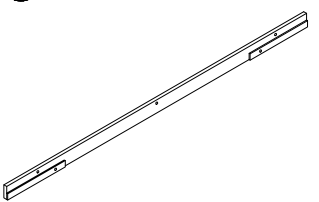
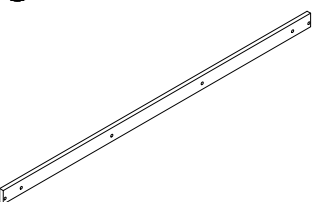


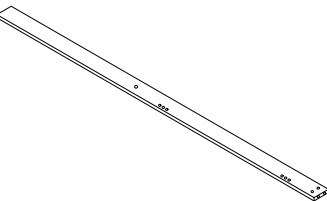
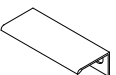
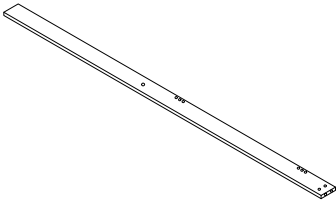
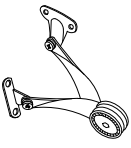
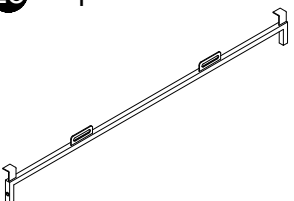
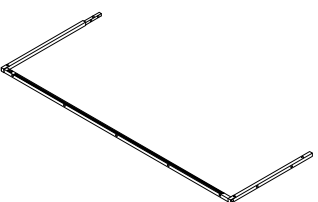
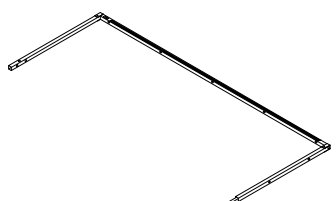


5 x 1pc


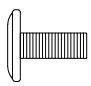
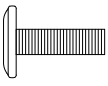
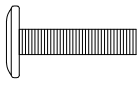


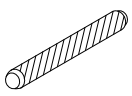


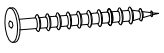

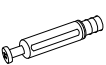
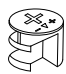

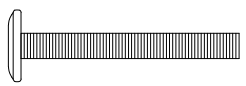


6 x 1pc



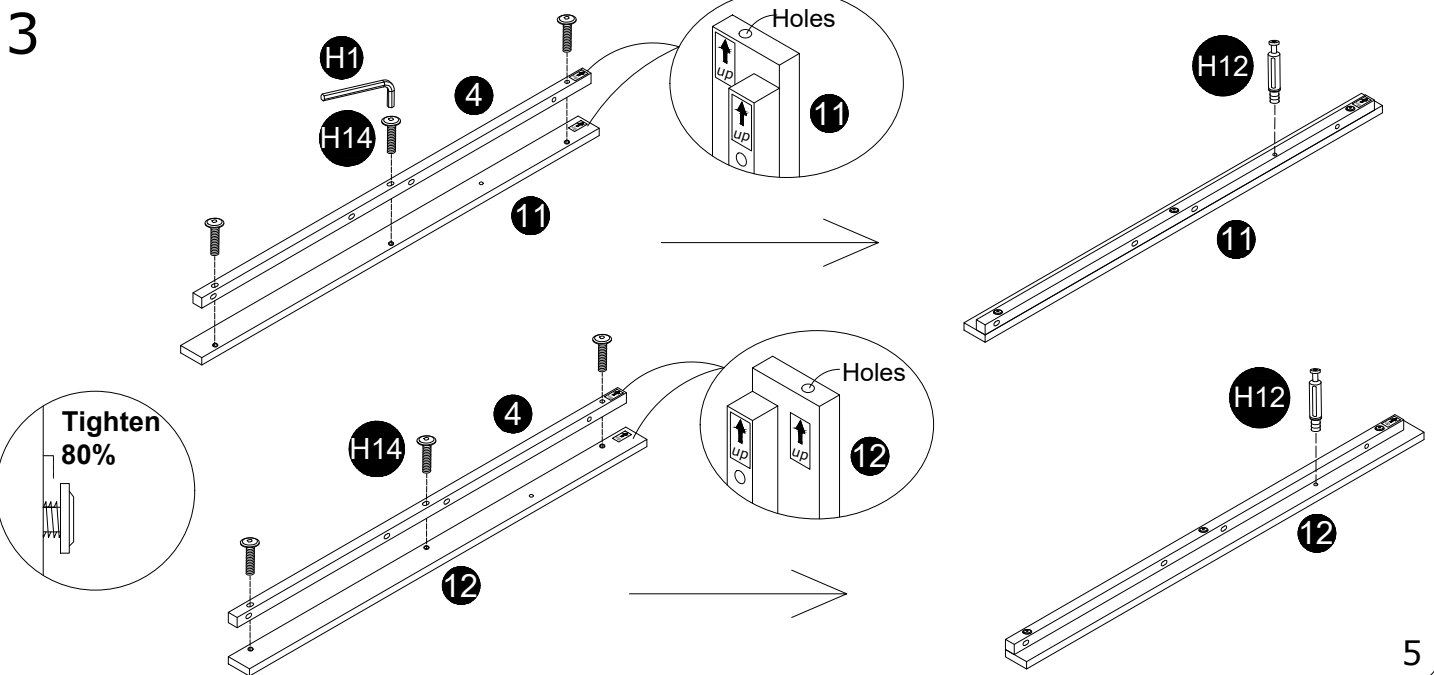
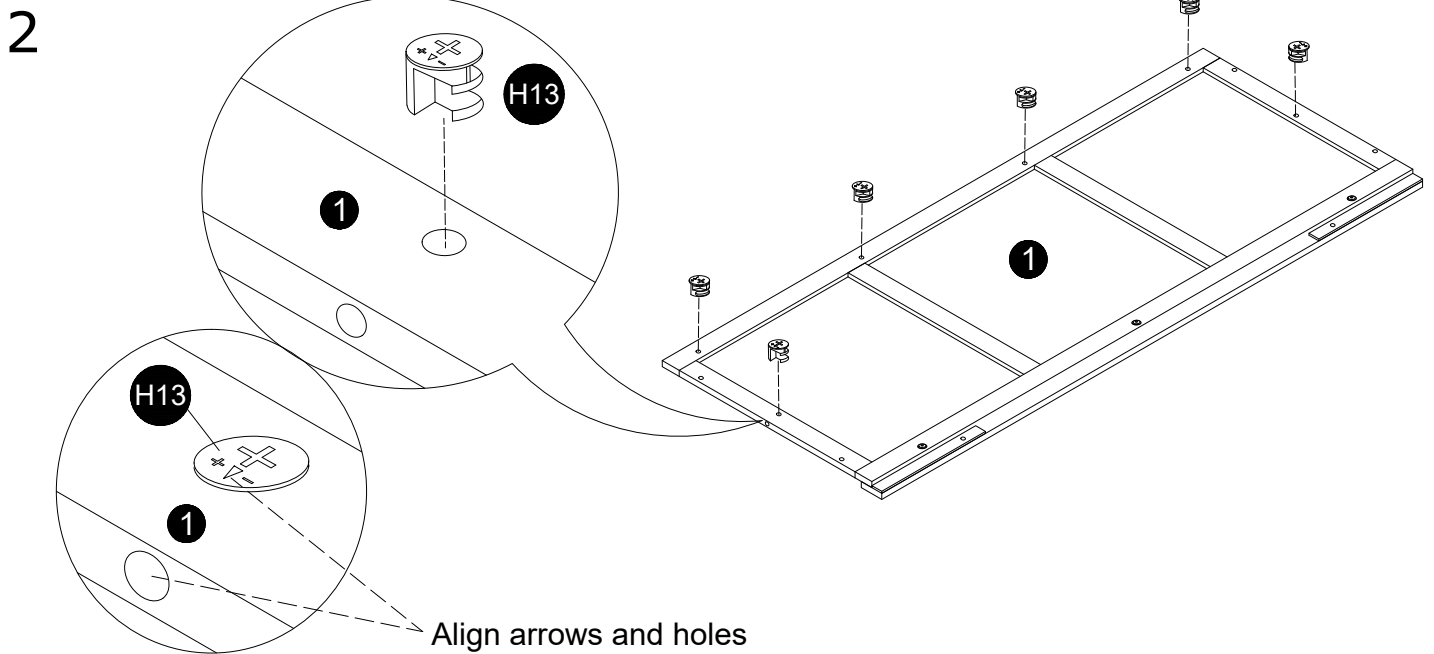
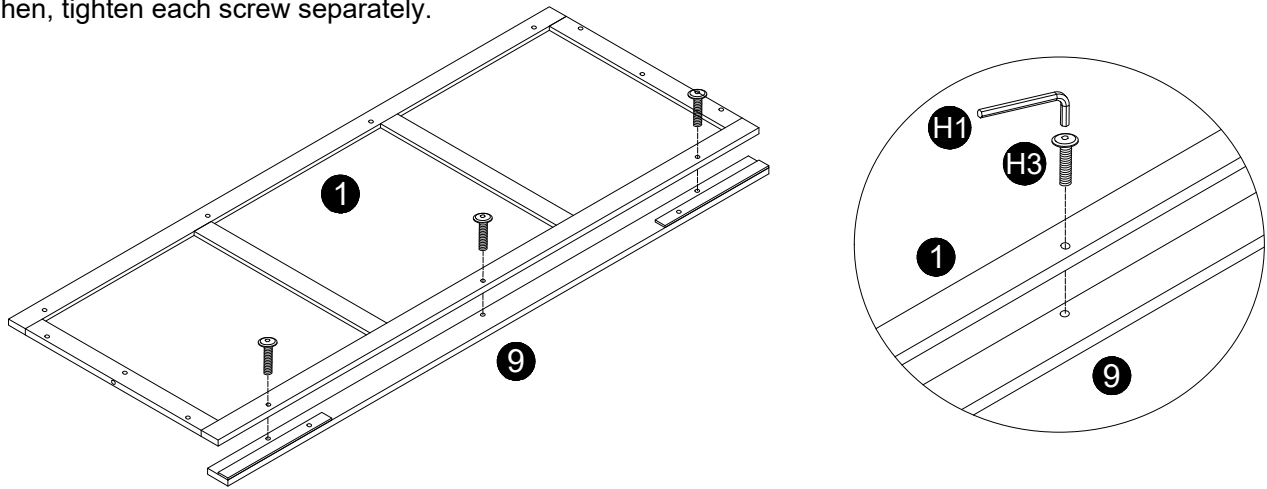
7 x 1pc 	9 x 1pc 	10 x 1pc 	11 x 1pc 
12 x 1pc 	18 x 1pc 	19 x 2pcs 	24 x 1pc 
27 x 2pcs 	28 x 2pcs 	29 x 1pc 	30 x 1pc 

HARDWARE LIST

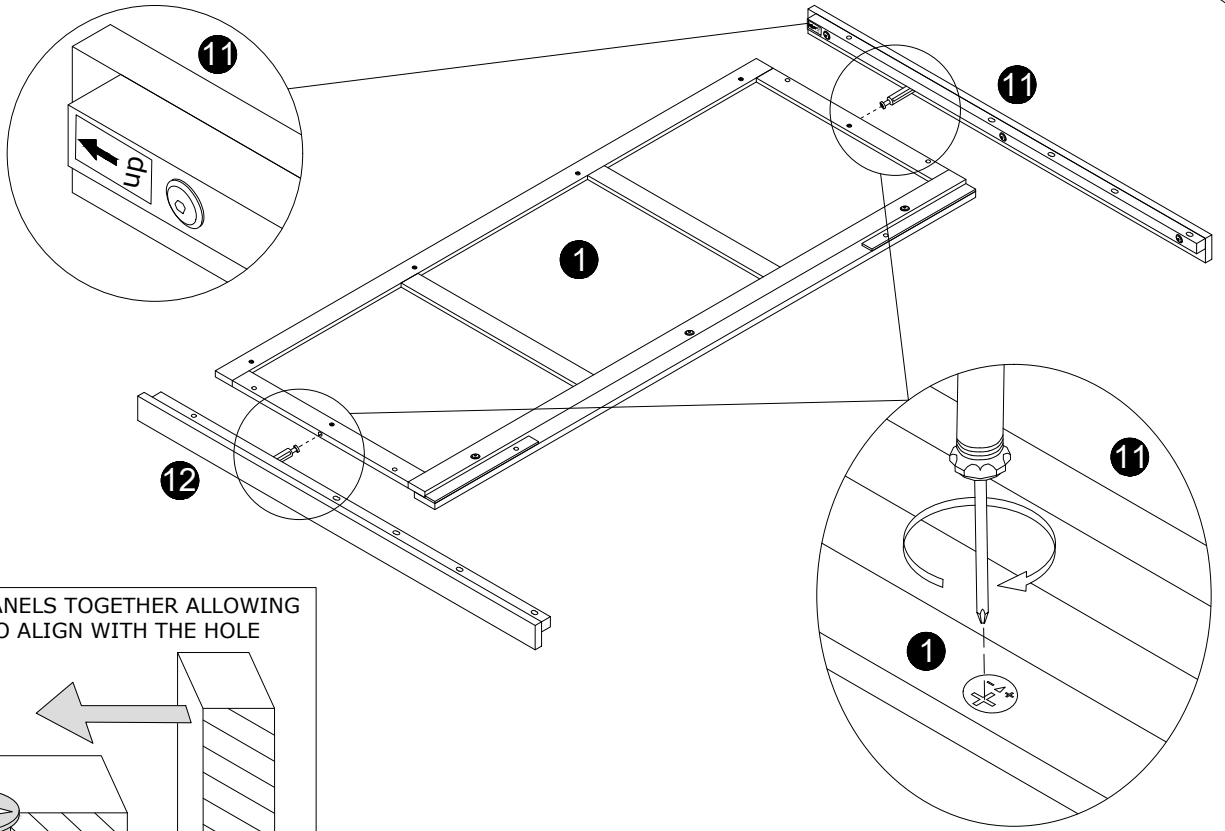
 H1 M5 x 1pc	 H2 M8x20mm x 6pcs	 H3 M8x30mm x 5pcs	 H4 M8x38mm x 14pcs
 H5 M4x12mm x 24pcs	 H6 x 2pcs	 H7 M8x40mm x 6pcs	 H8 M6x25mm x 4pcs
 H9 Ø13mm x 10pcs	 H10 M6x45mm x 32pcs	 H11 M4 x 1pc	 H12 x12pcs
 H13 x 12pcs	 H14 M8x35mm x 16pcs	 H15 M8x80mm x 2pcs	

Please ensure to thoroughly inspect the small inner cardboard box containing the hardware, which are tied with a red string, before disposing of the box.

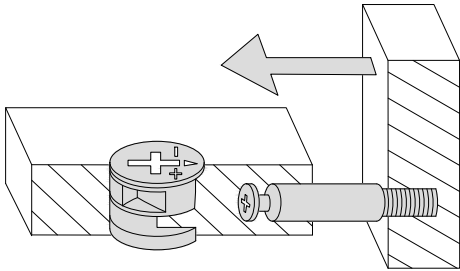
1 As shown in the diagram, align the screws with the corresponding holes and pre-fix them. Then, tighten each screw separately.



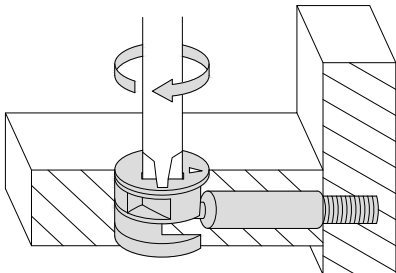
4



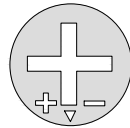
PUSH THE TWO PANELS TOGETHER ALLOWING THE DOWEL TO ALIGN WITH THE HOLE



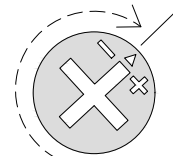
TURN THE CAM IN A CLOCKWISE DIRECTION



DON'T STOP UNTIL THE 2 O'CLOCK LOCK
TURN THE CAM IN A CLOCKWISE DIRECTION UNTIL THE ARROW POINTS IN THE POSITIONS SHOWN IN THE DIAGRAMS BELOW



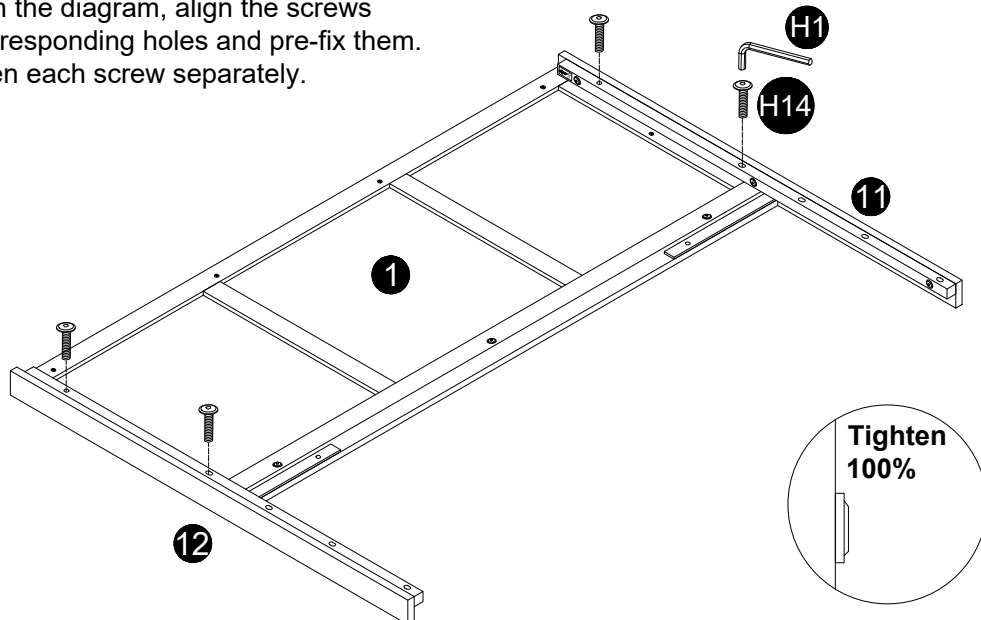
OPEN



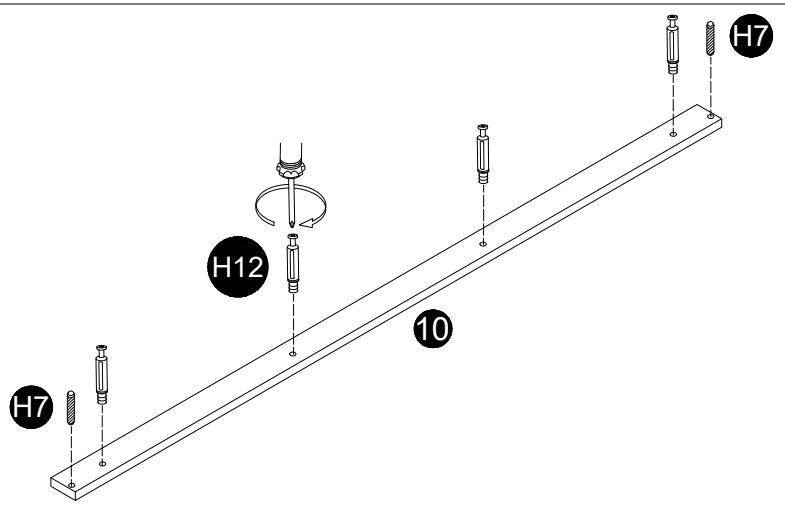
LOCKED

5

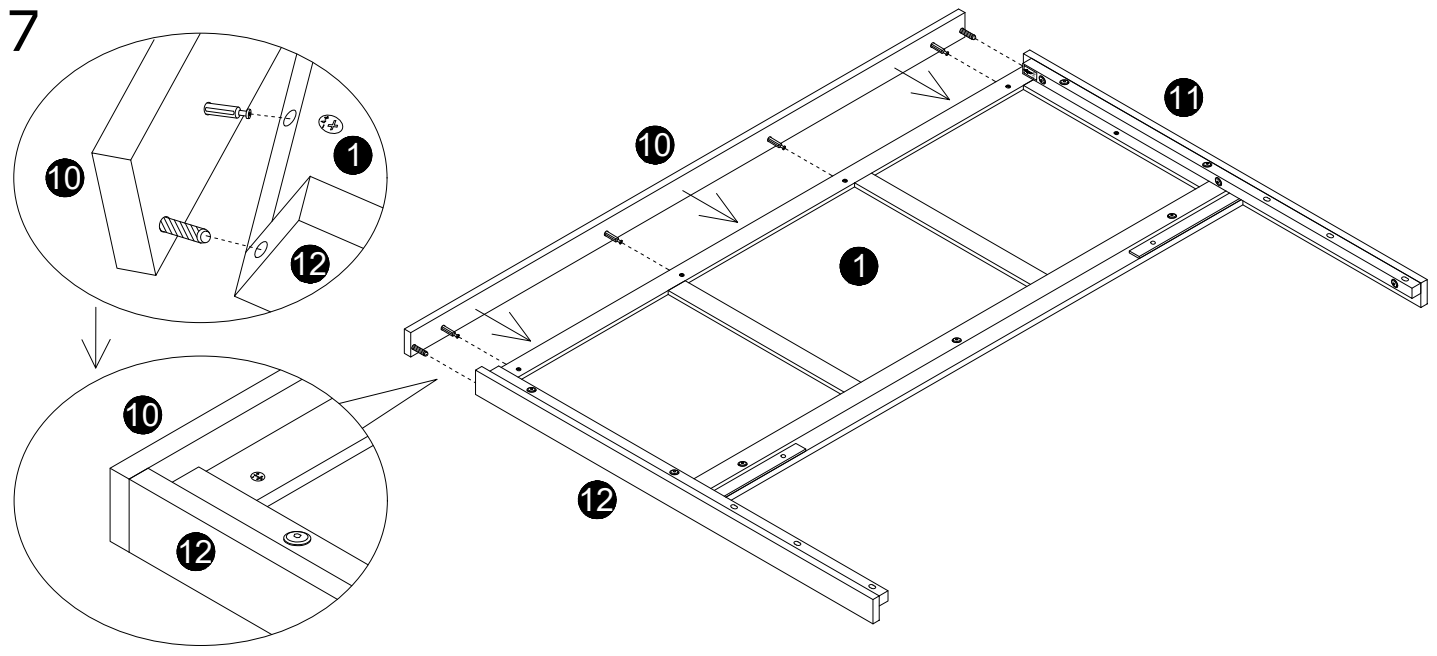
As shown in the diagram, align the screws with the corresponding holes and pre-fix them. Then, tighten each screw separately.



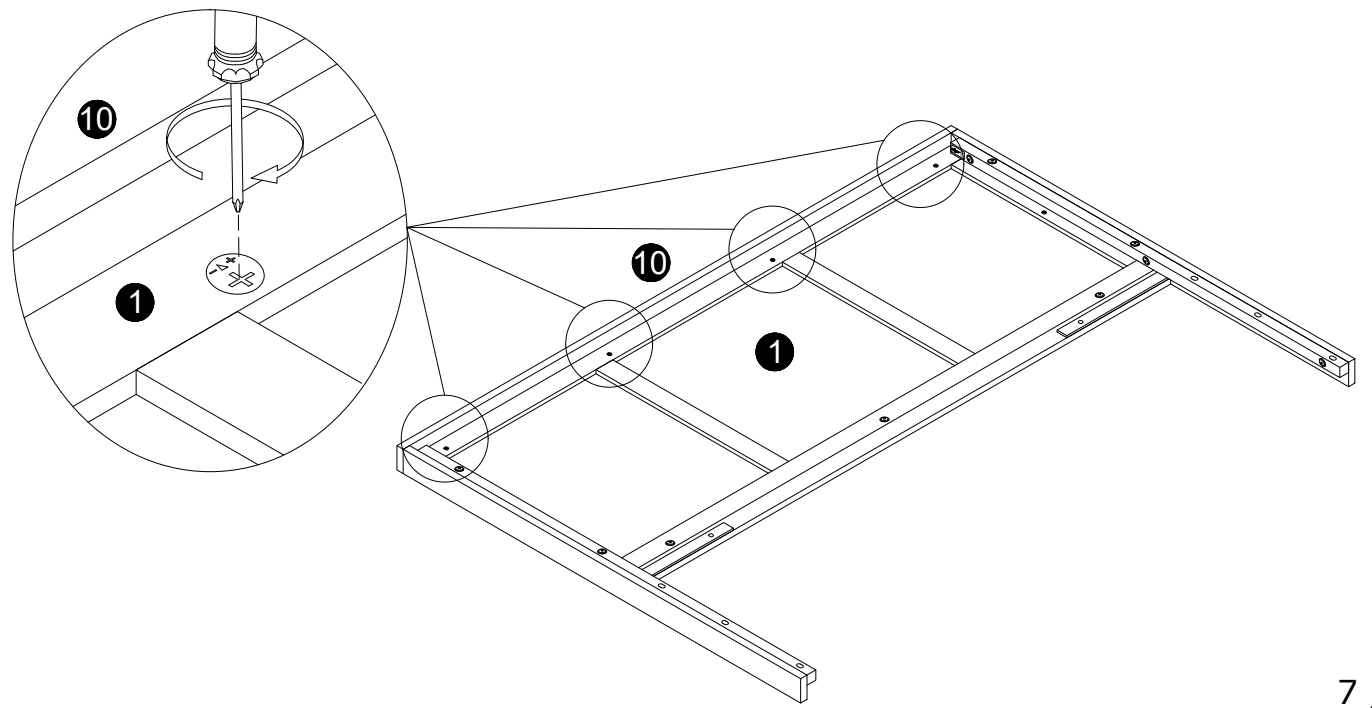
6



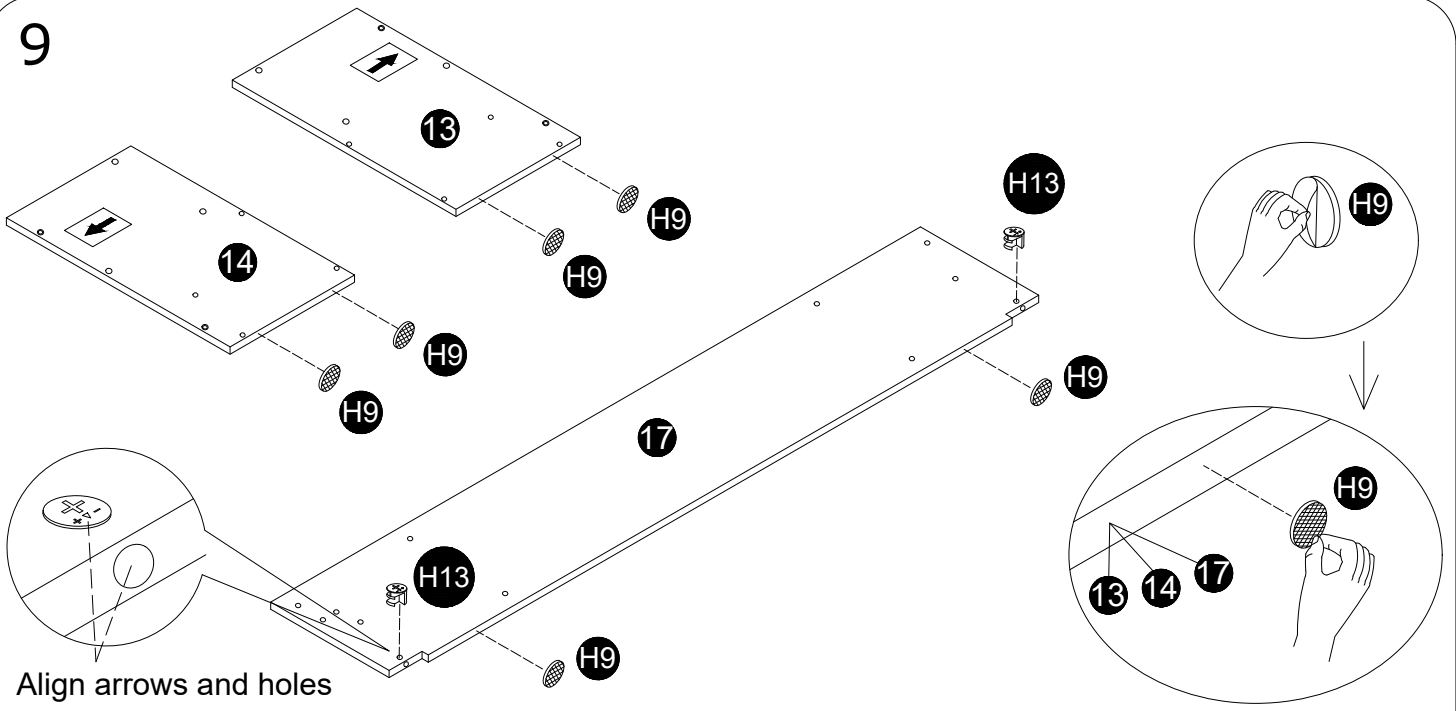
7



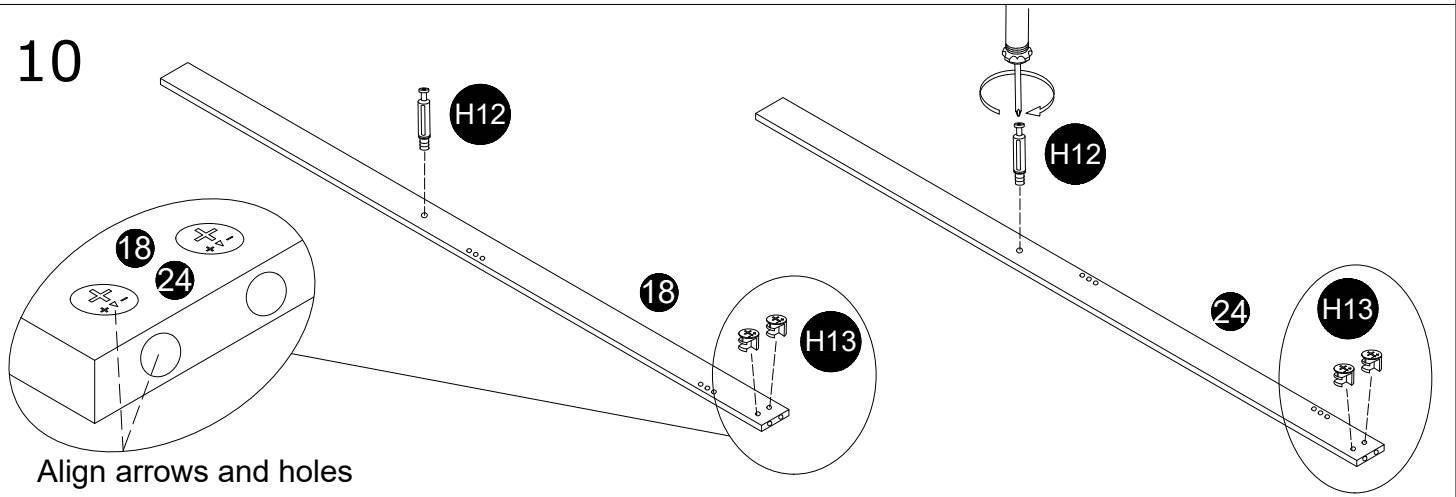
8



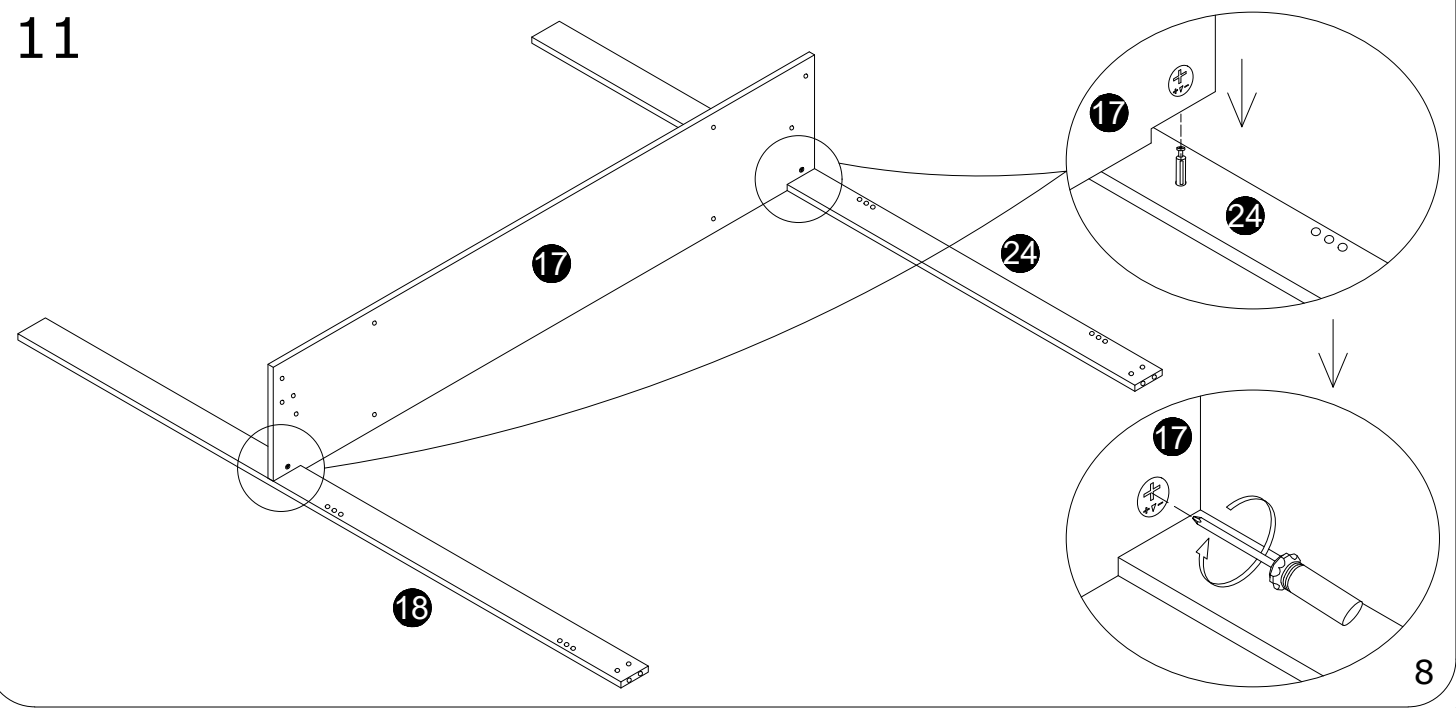
9



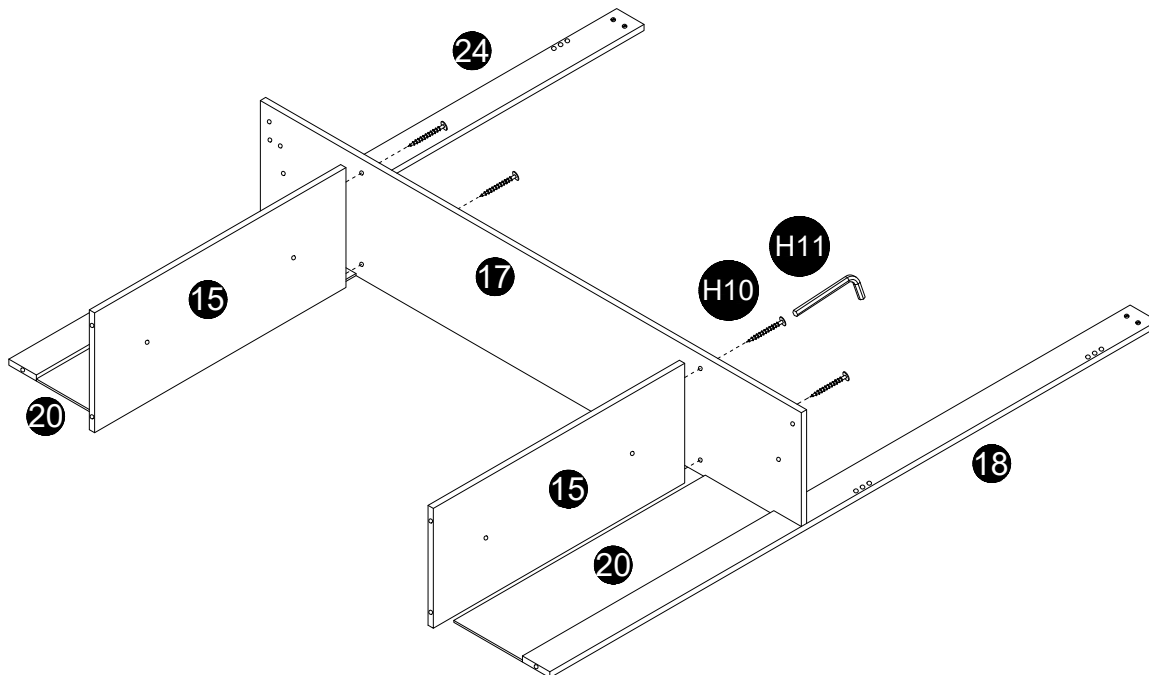
10



11

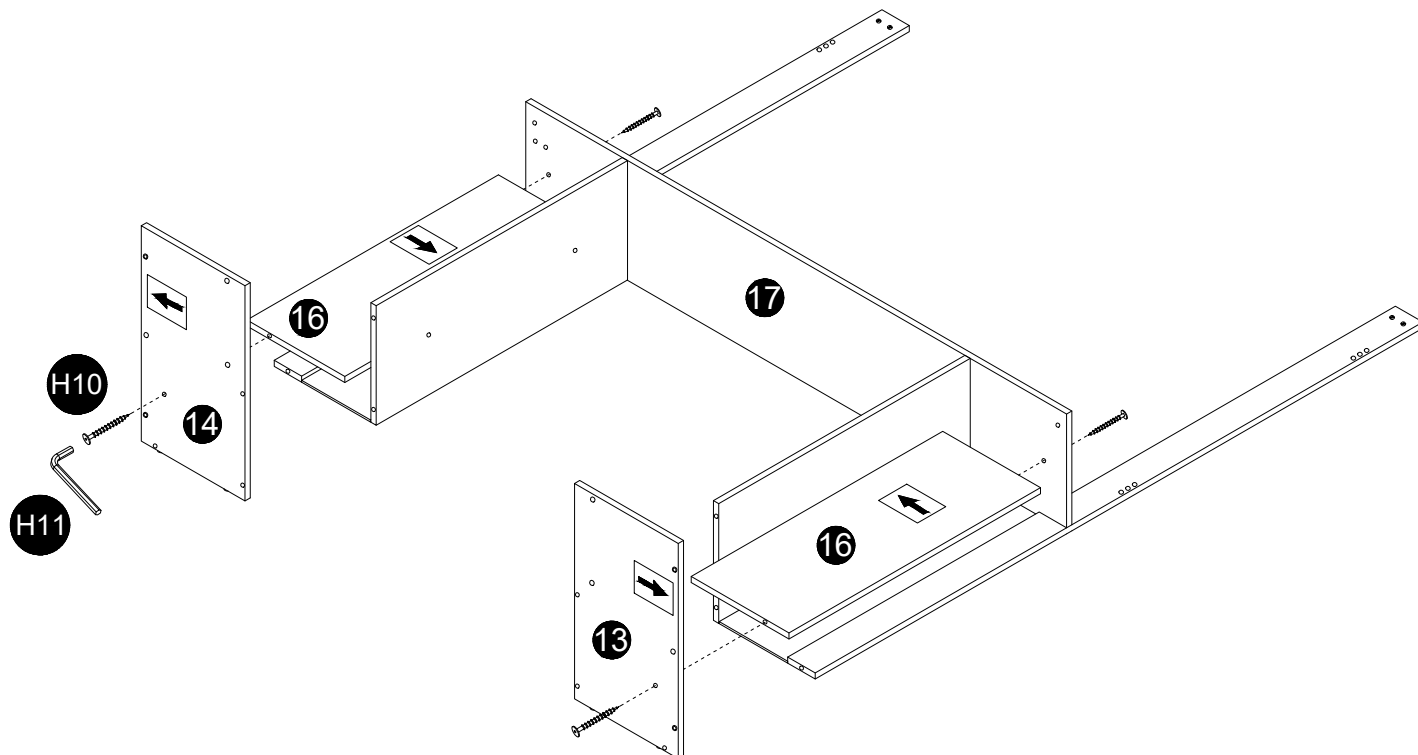


12



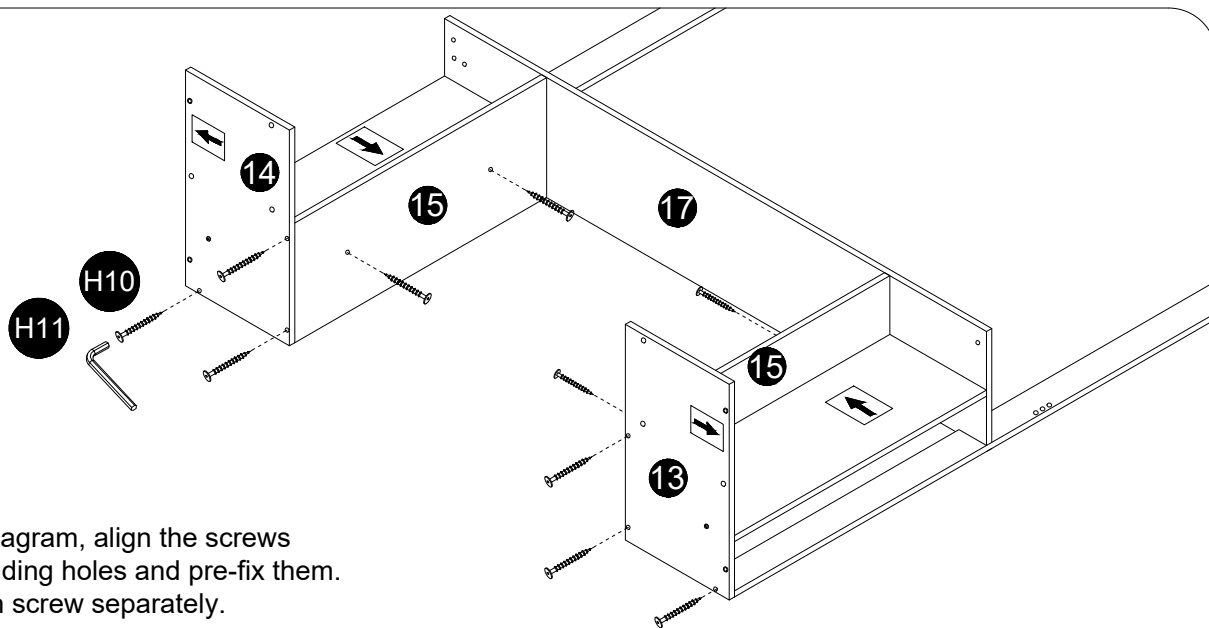
As shown in the diagram, align the screws with the corresponding holes and pre-fix them. Then, tighten each screw separately.

13



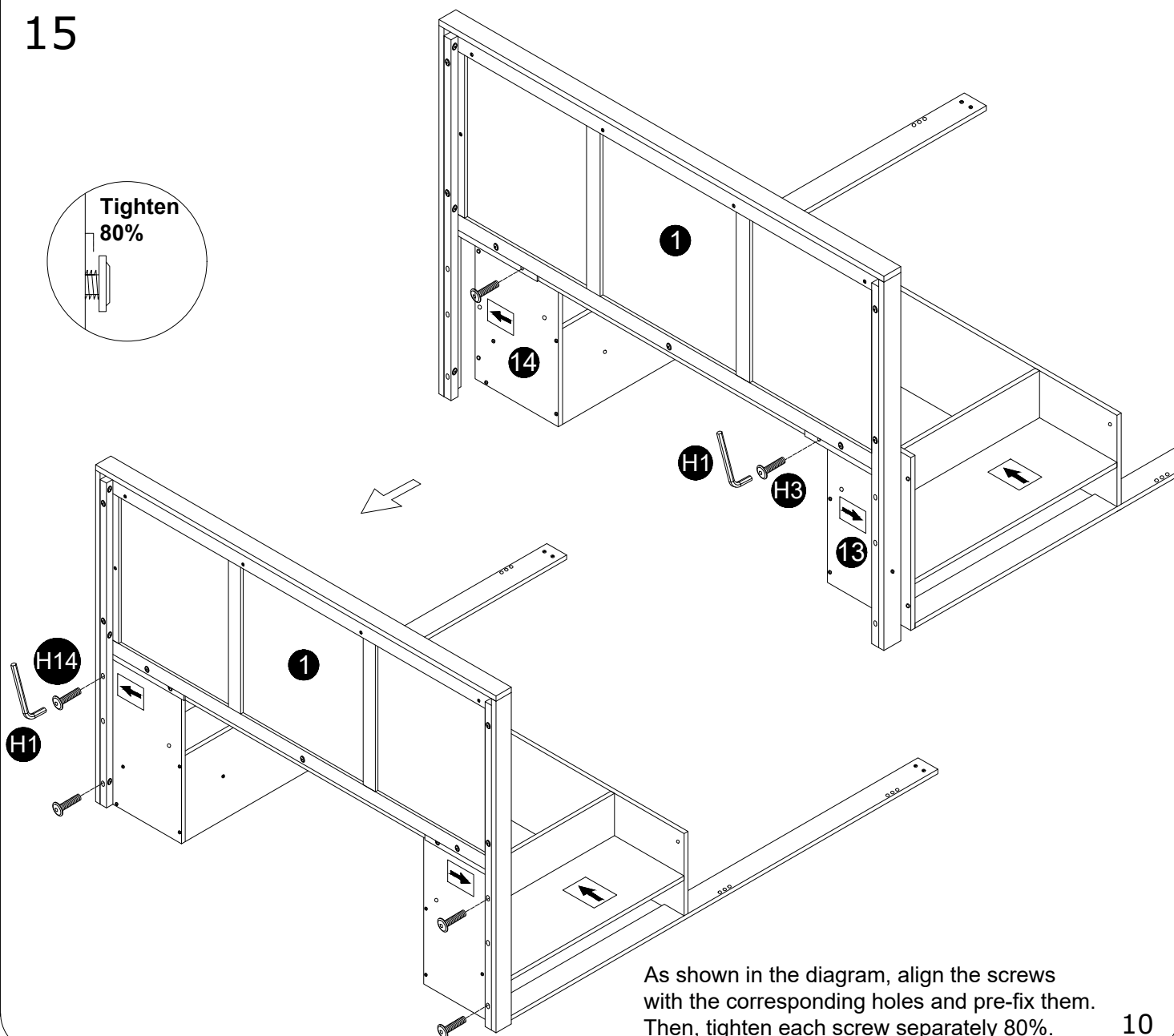
As shown in the diagram, align the screws with the corresponding holes and pre-fix them. Then, tighten each screw separately.

14



As shown in the diagram, align the screws with the corresponding holes and pre-fix them. Then, tighten each screw separately.

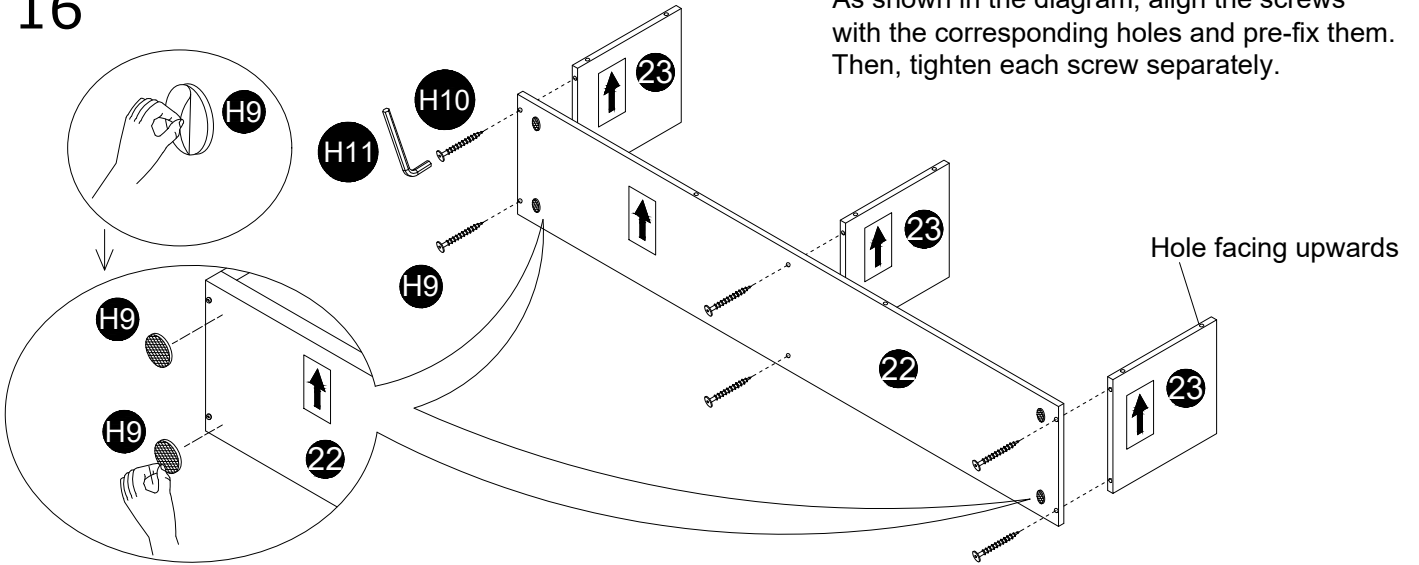
15



As shown in the diagram, align the screws with the corresponding holes and pre-fix them. Then, tighten each screw separately 80%.

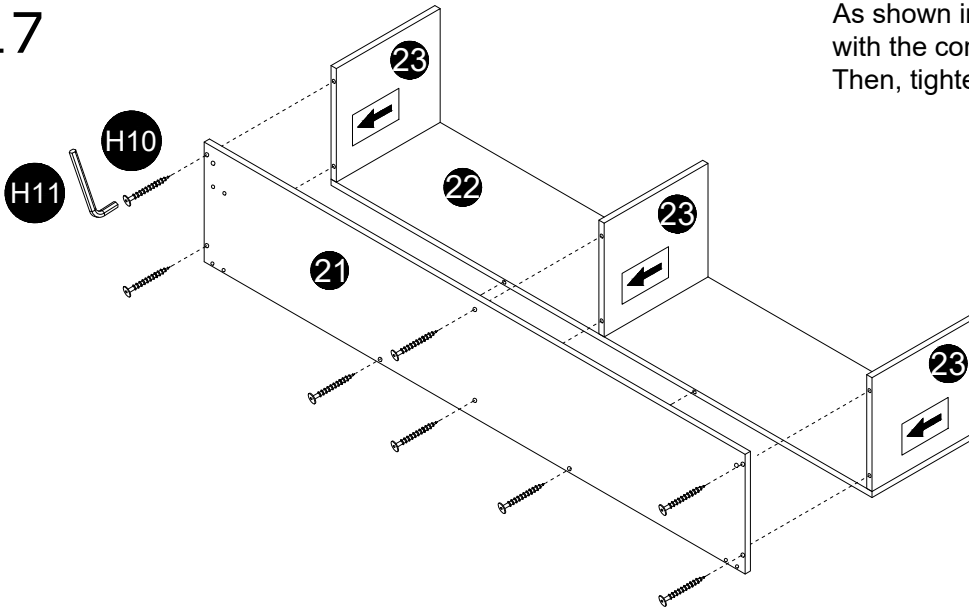
16

As shown in the diagram, align the screws with the corresponding holes and pre-fix them. Then, tighten each screw separately.



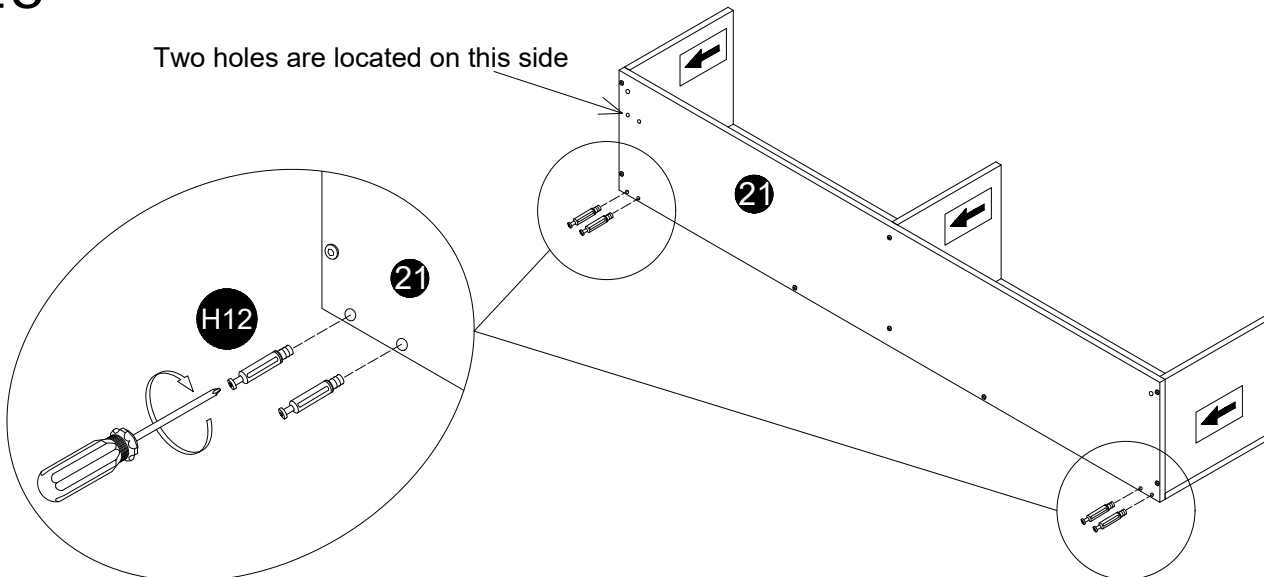
17

As shown in the diagram, align the screws with the corresponding holes and pre-fix them. Then, tighten each screw separately.

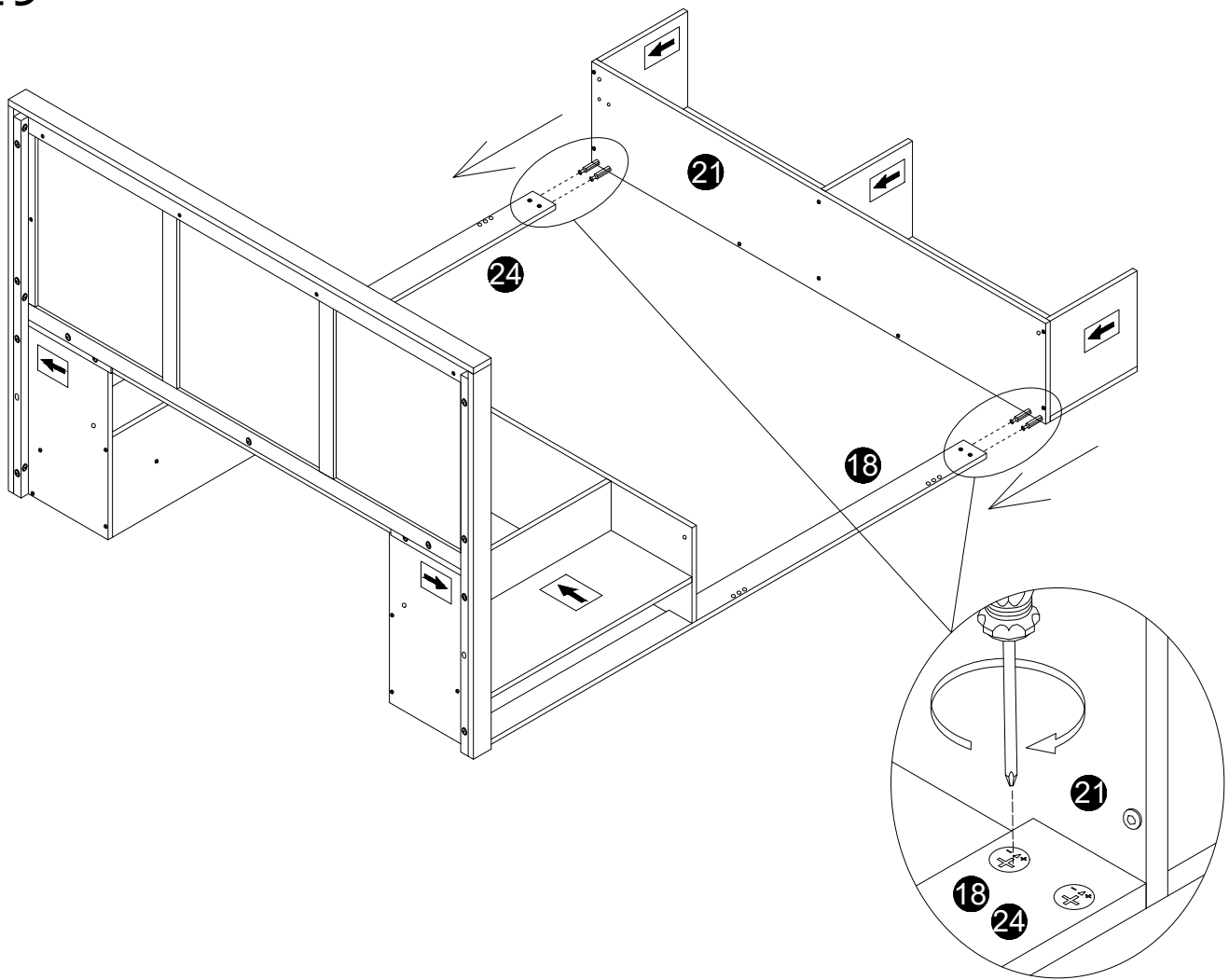


18

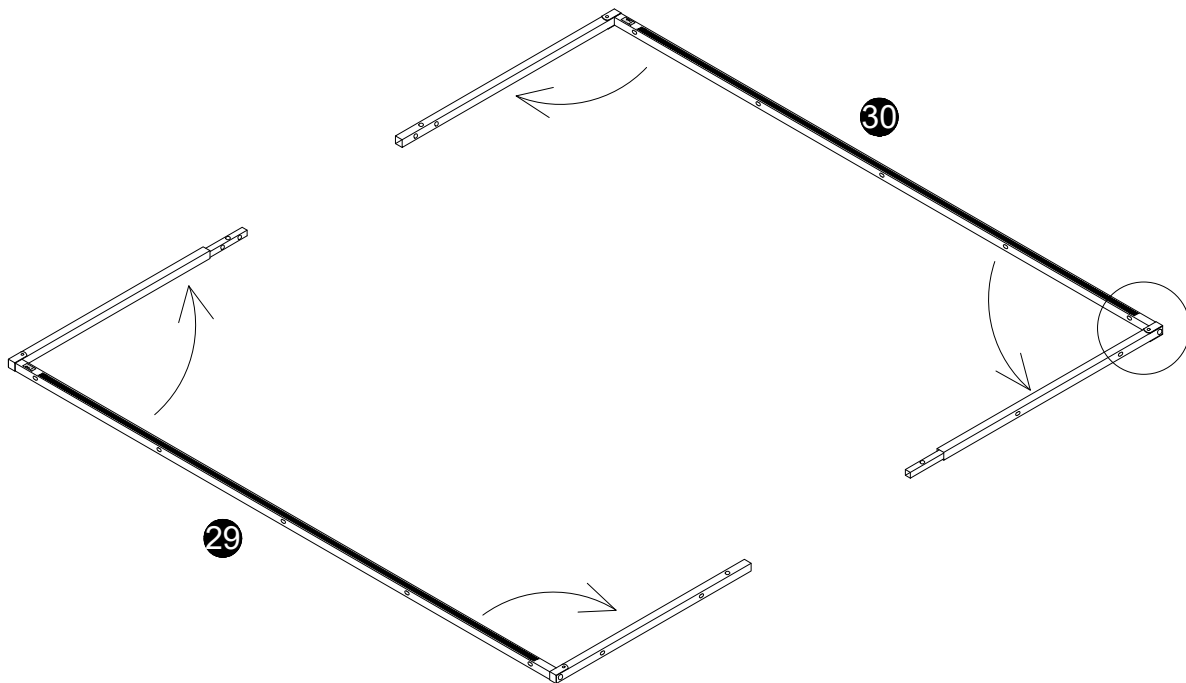
Two holes are located on this side



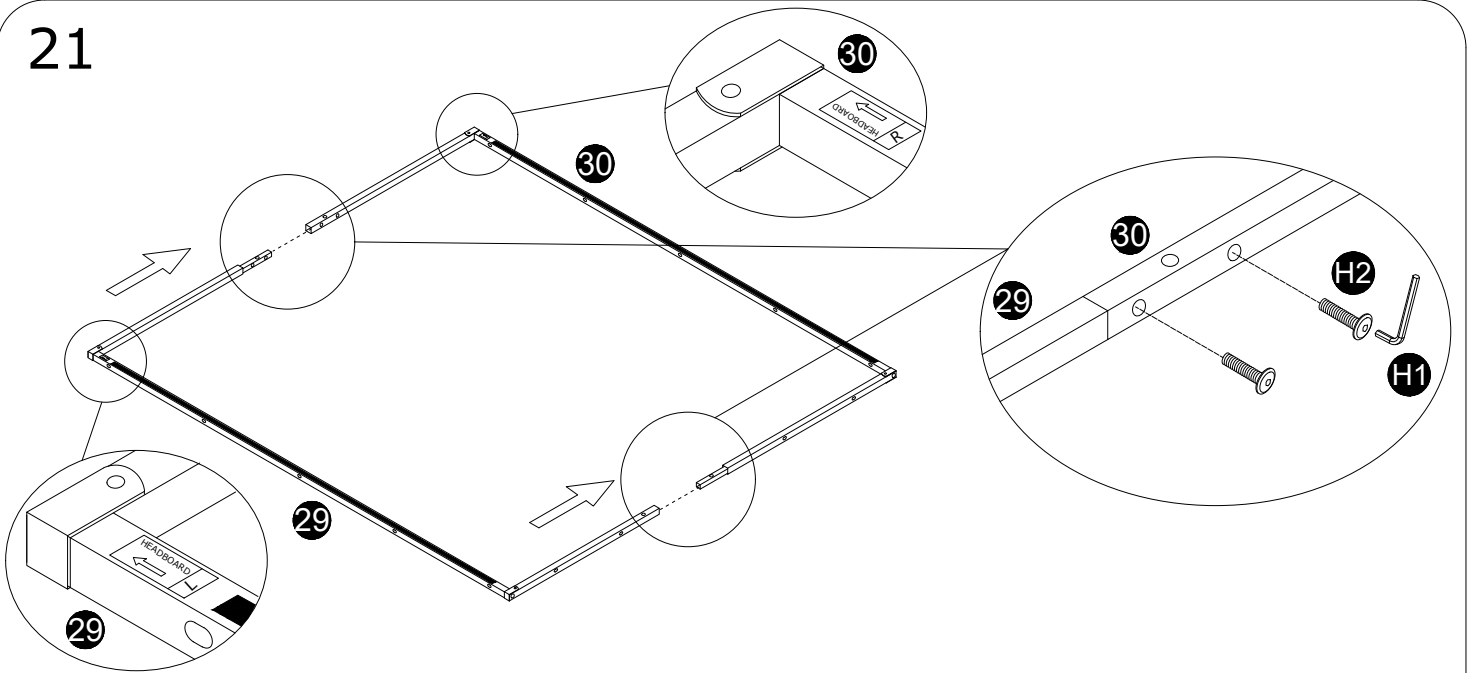
19



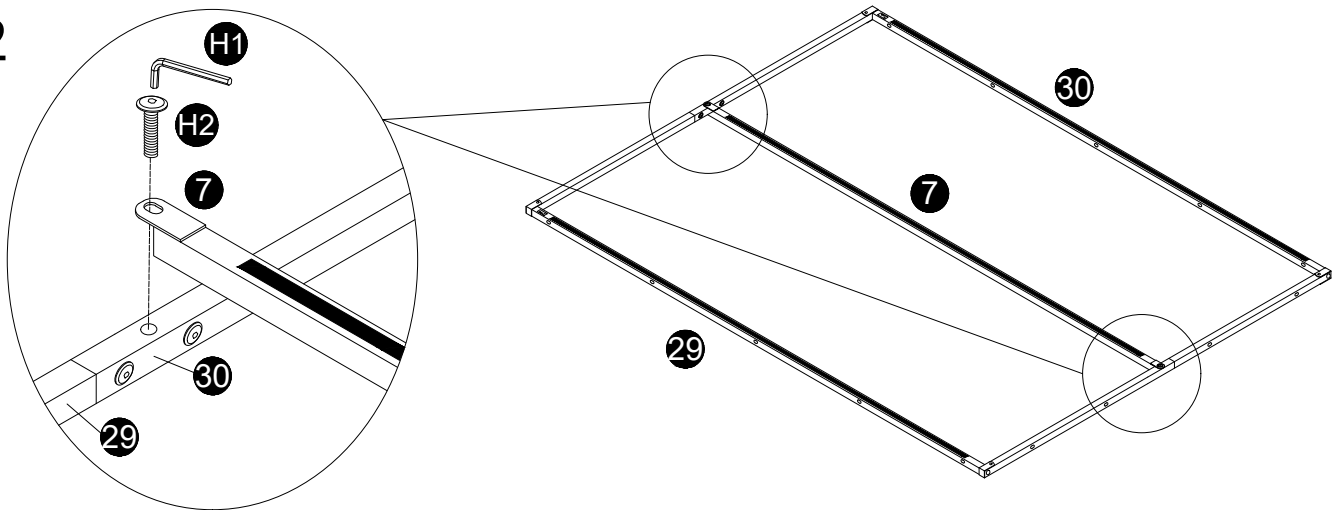
20



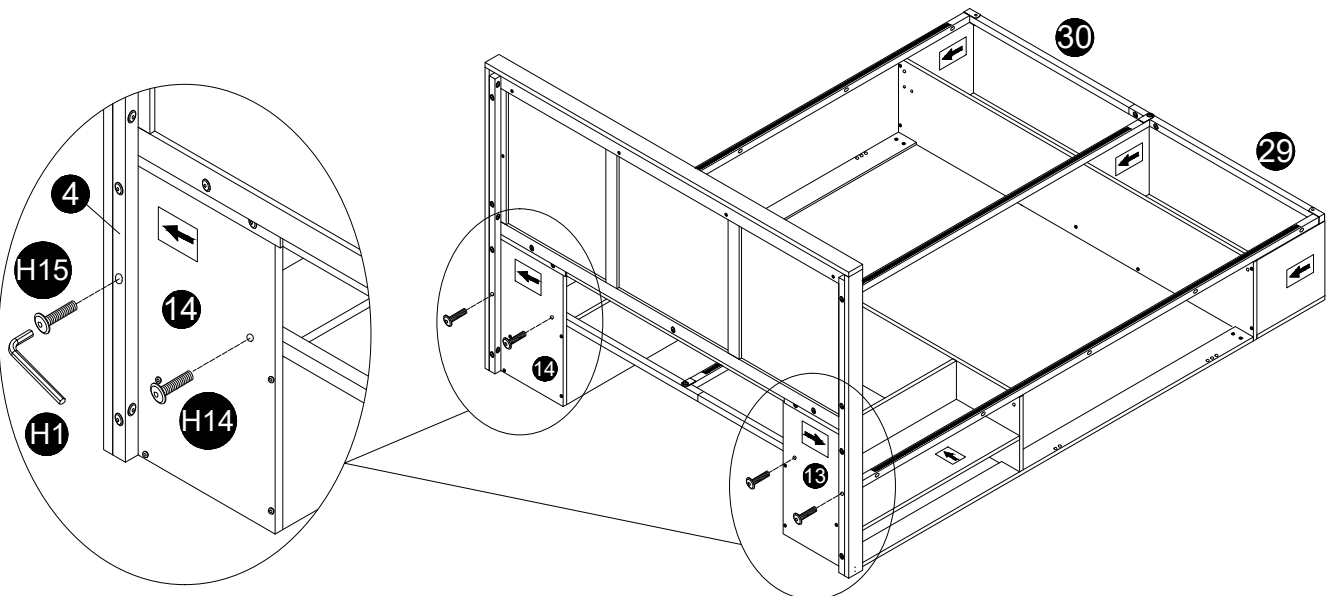
21



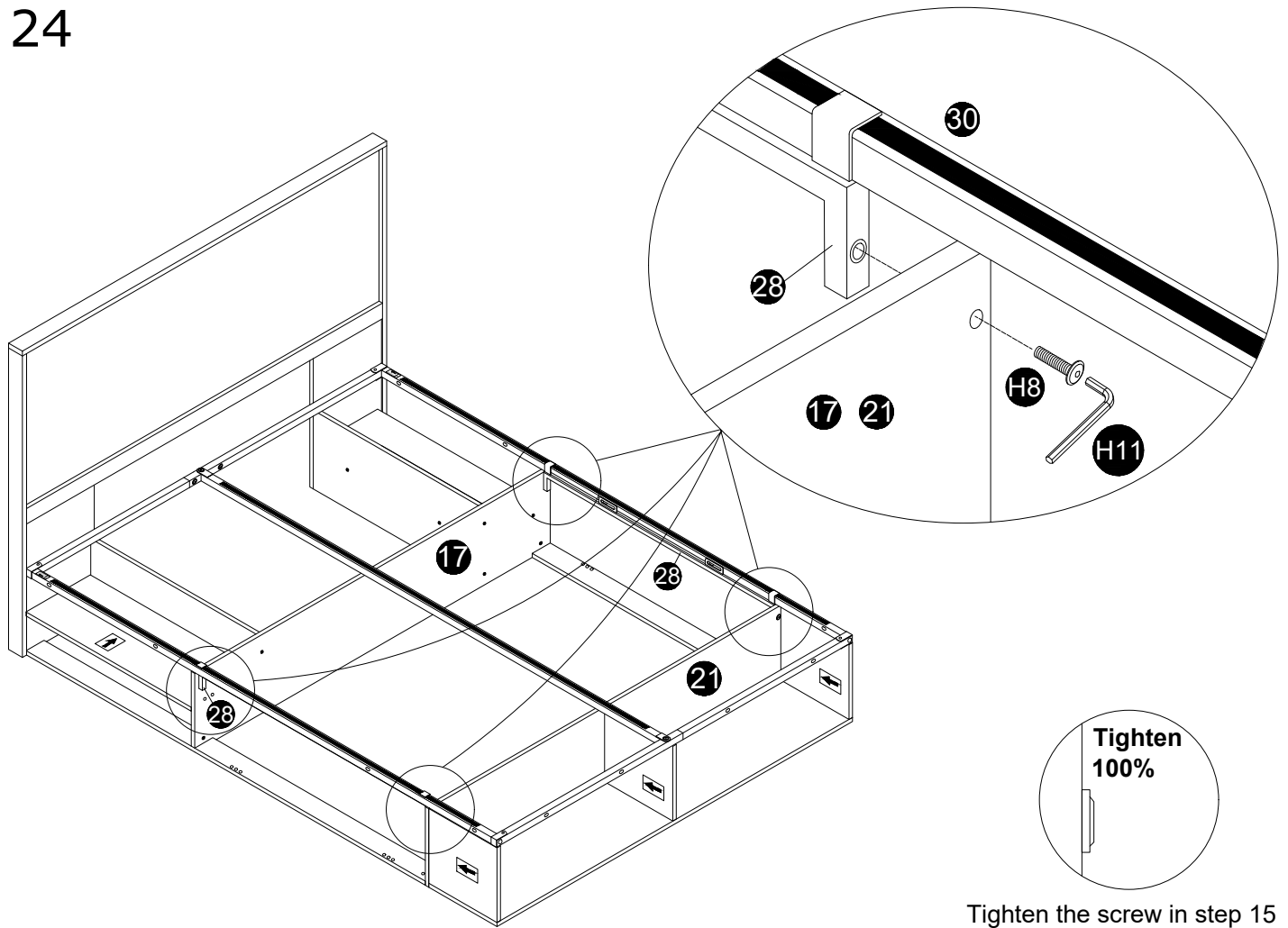
22



23

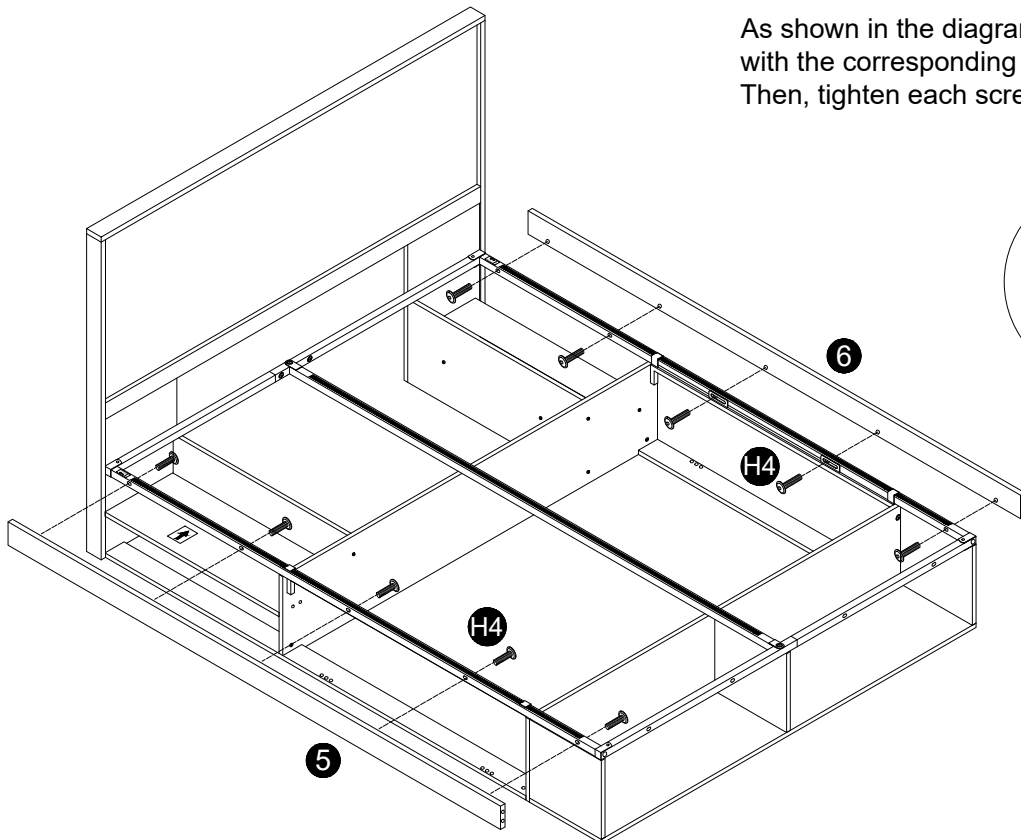


24



Tighten the screw in step 15

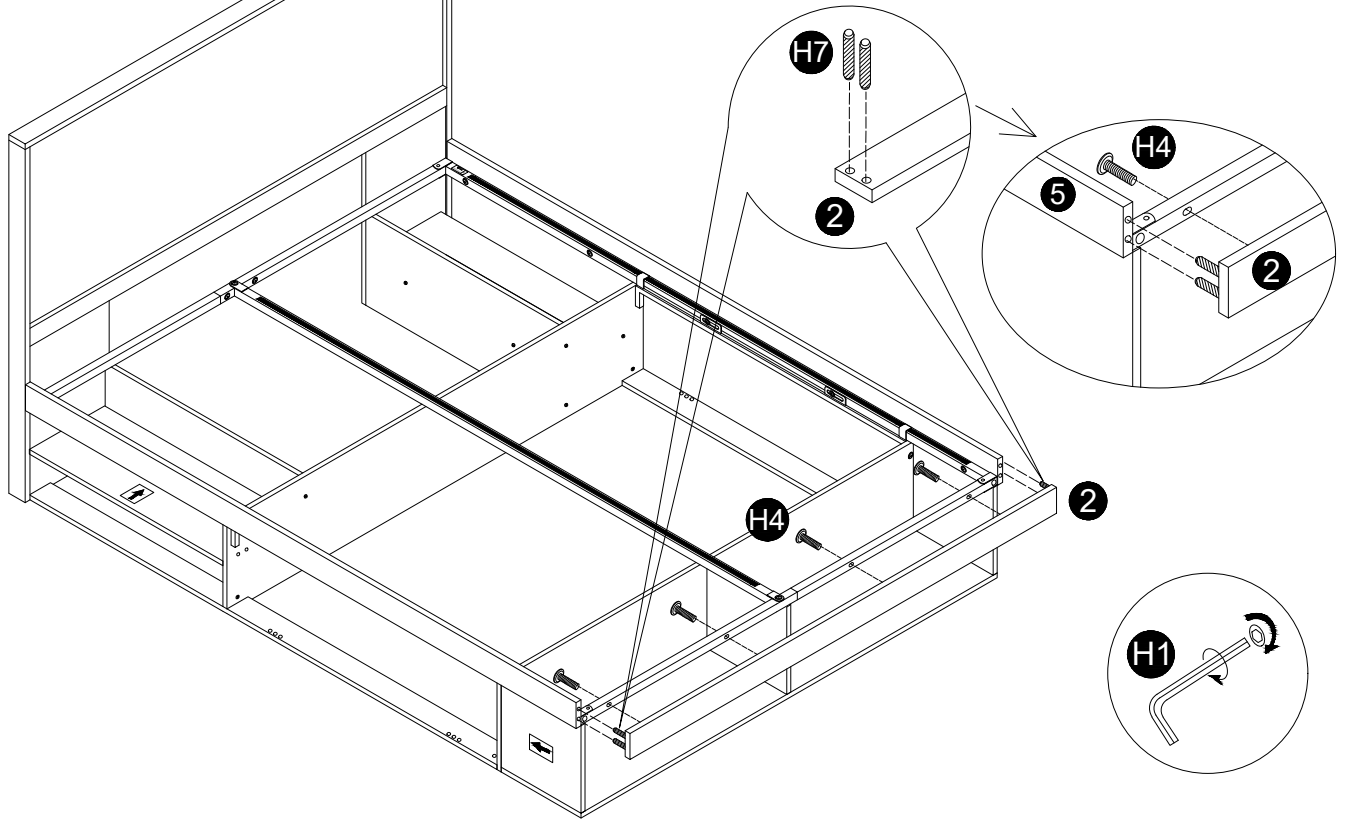
25



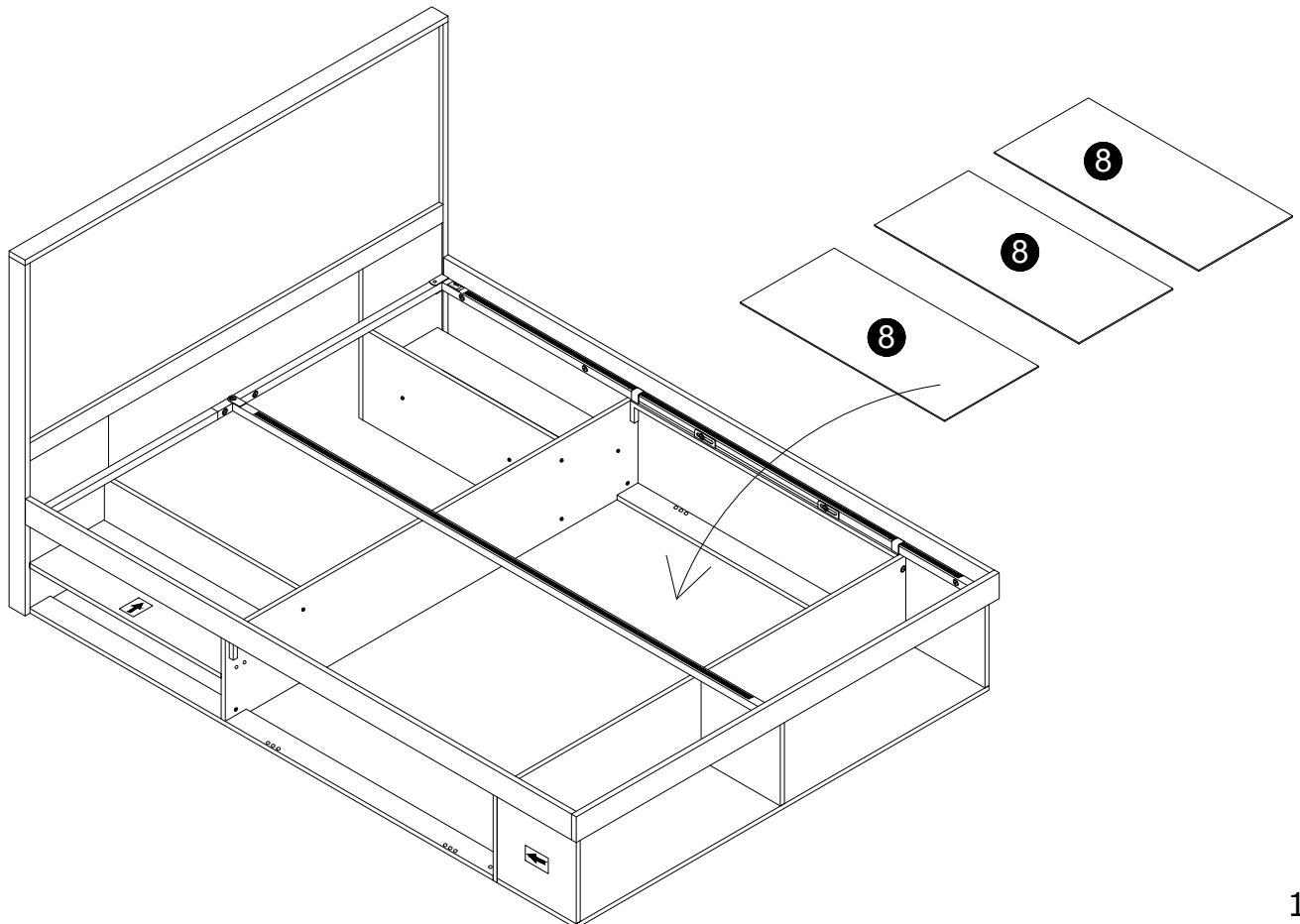
As shown in the diagram, align the screws with the corresponding holes and pre-fix them. Then, tighten each screw separately.

26

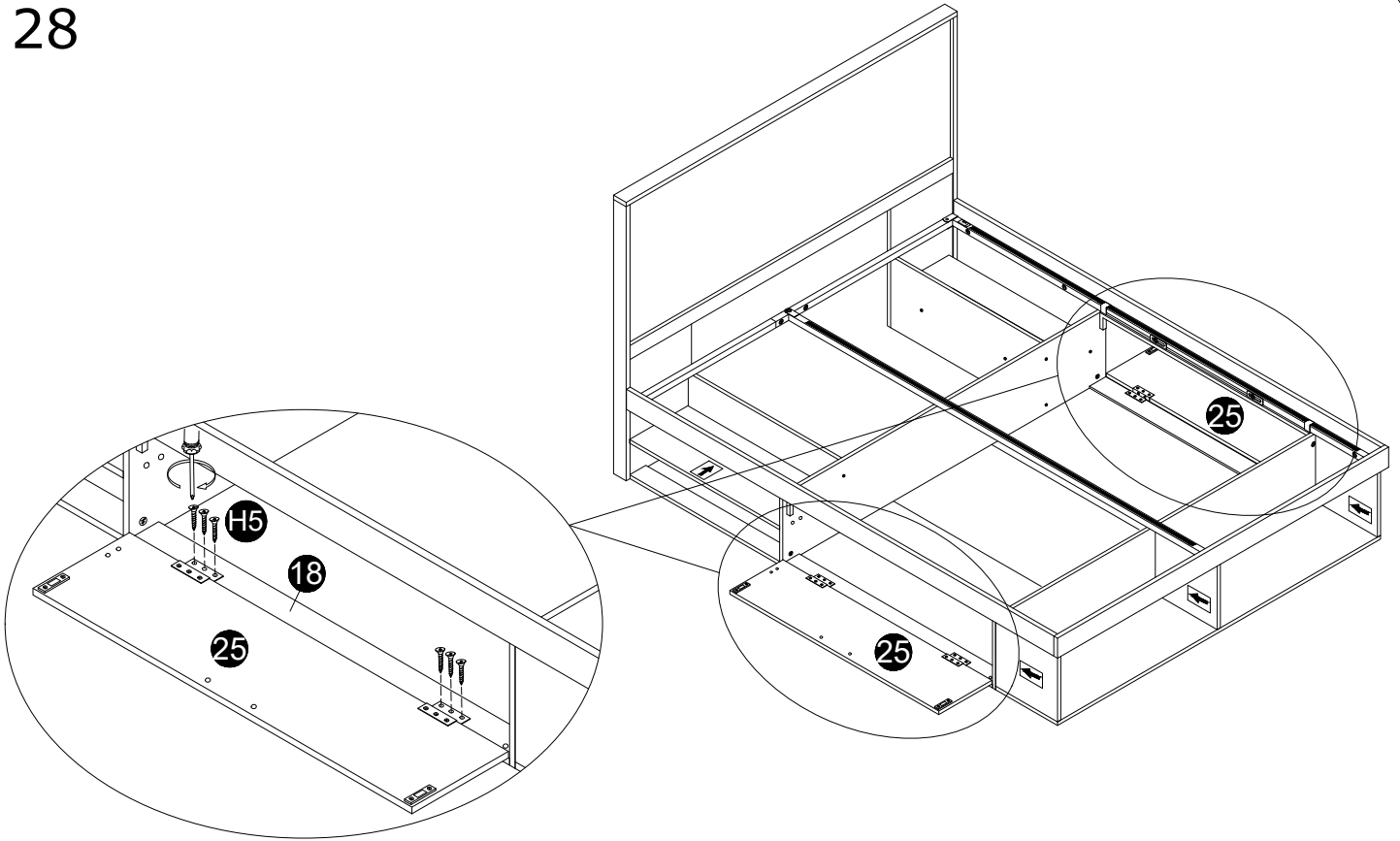
As shown in the diagram, align the screws with the corresponding holes and pre-fix them. Then, tighten each screw separately.



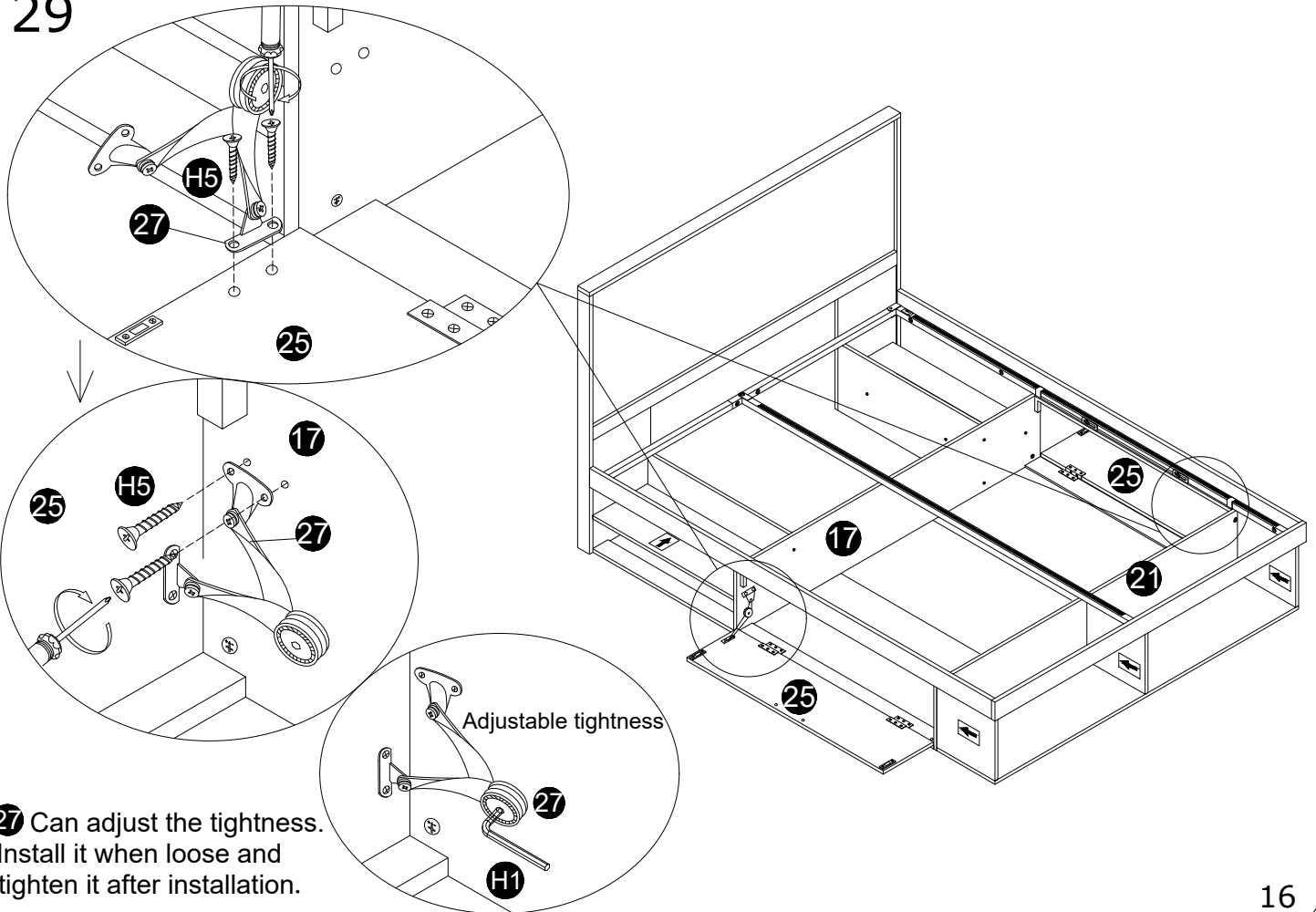
27



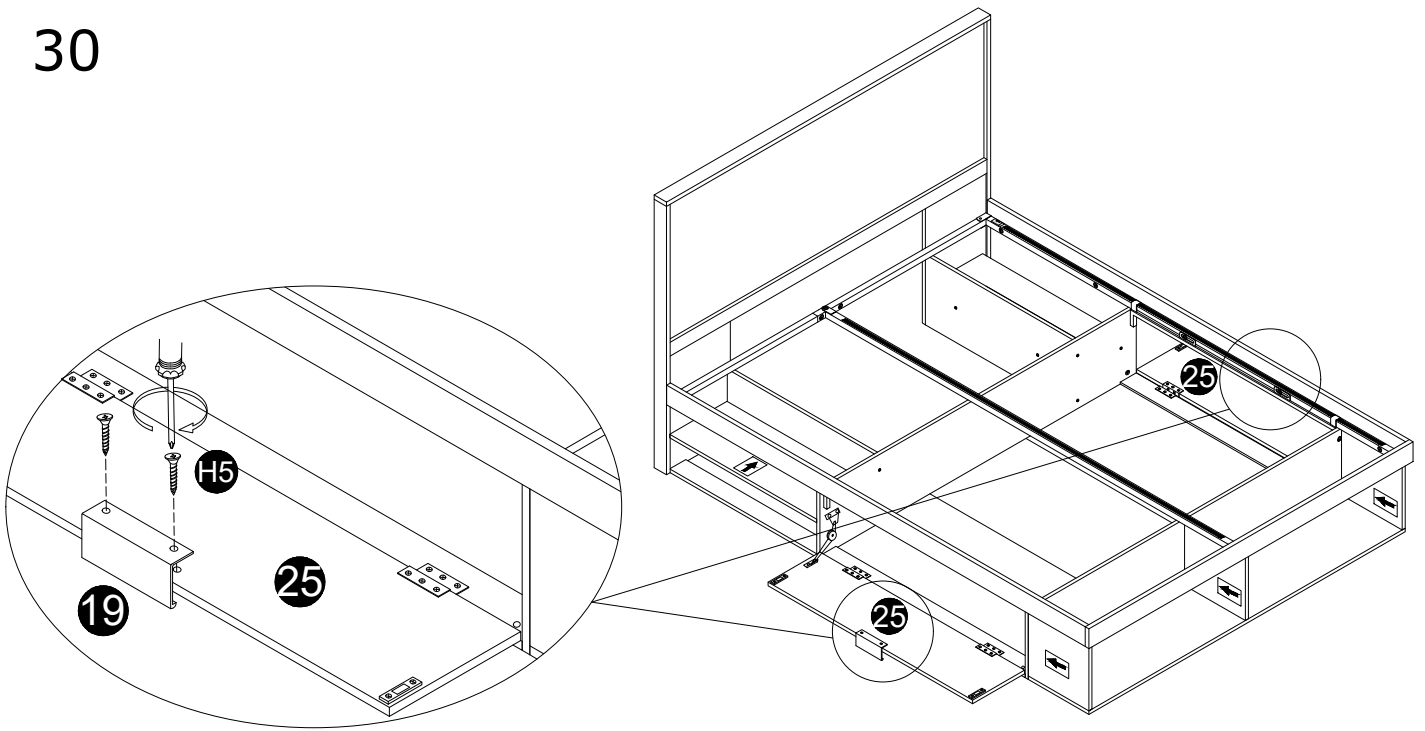
28



29



30



31

