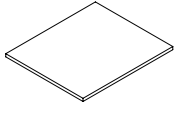
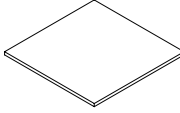
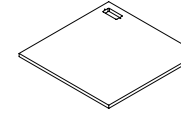

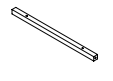
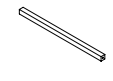
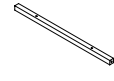
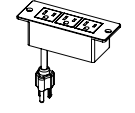
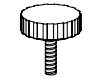



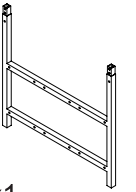
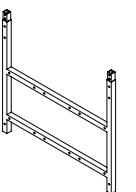


PART LIST

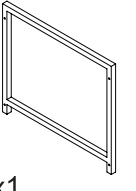
											
F x1	G x1	H x1	J x12	K x2	L x3	M x4	N x1	P x6	Q x8+1	R x54+1	S x2



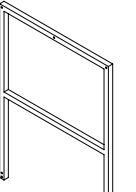
A x1



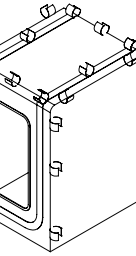
B x1



C x1

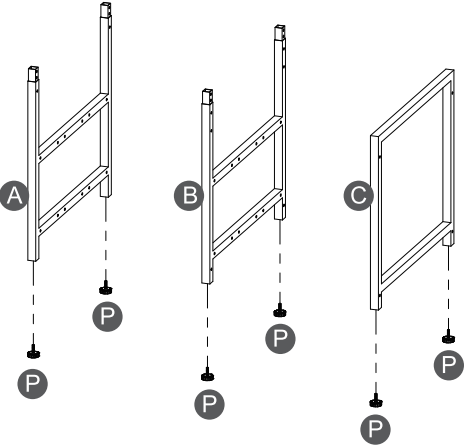


D x2

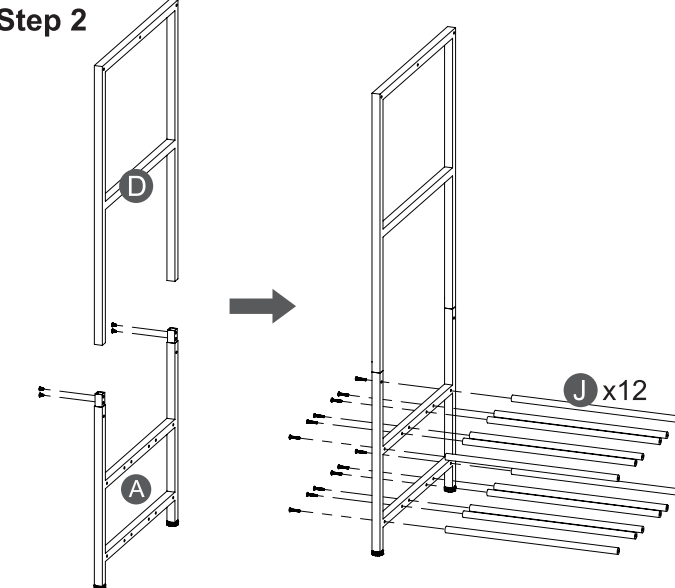


E x1

Step 1



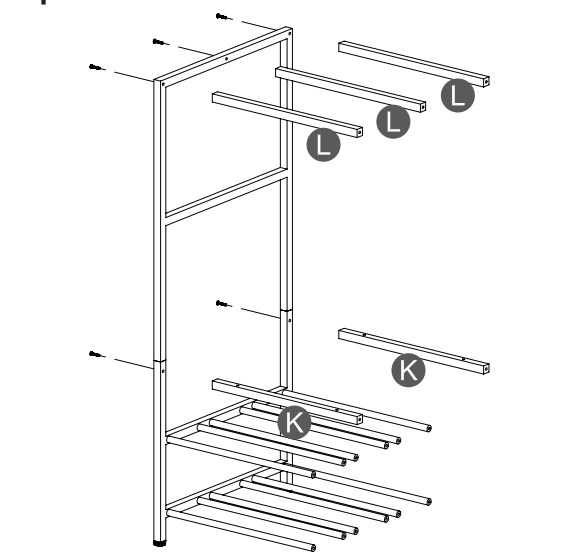
Step 2



J x12

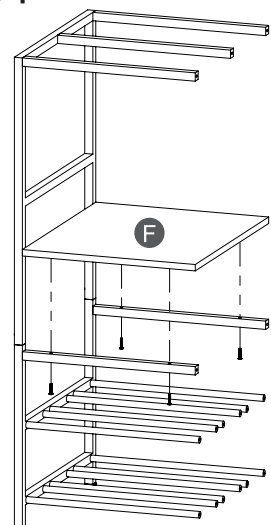
Q x4 **R** x12

Step 3



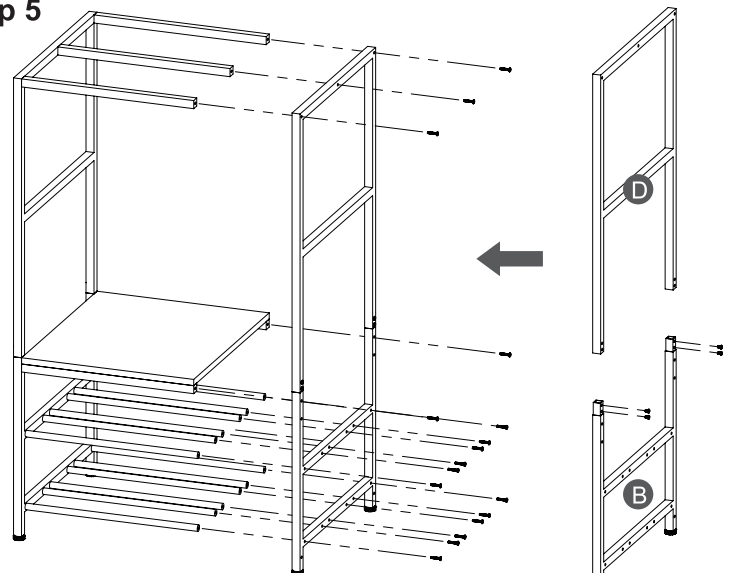
R x5

Step 4



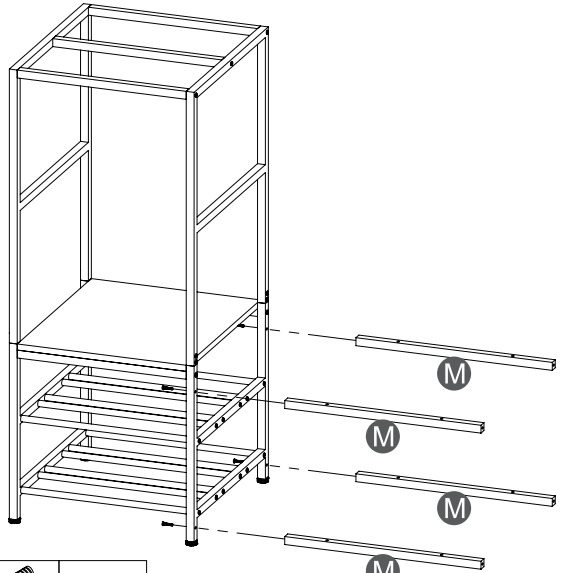
R x4

Step 5



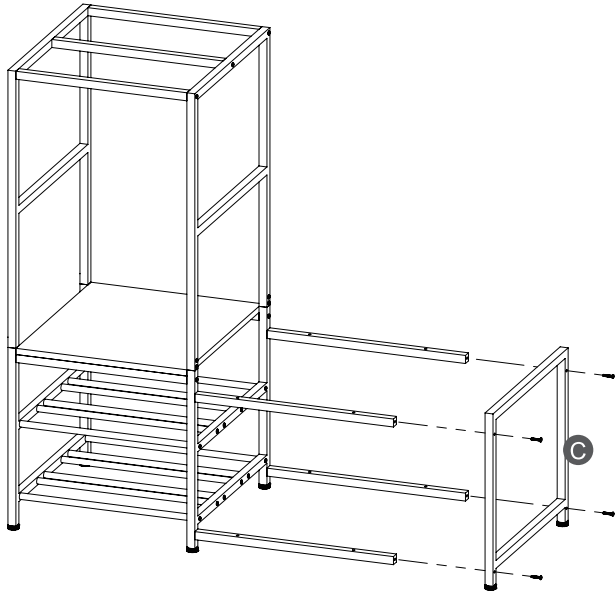
R x17 **Q** x4

Step 6



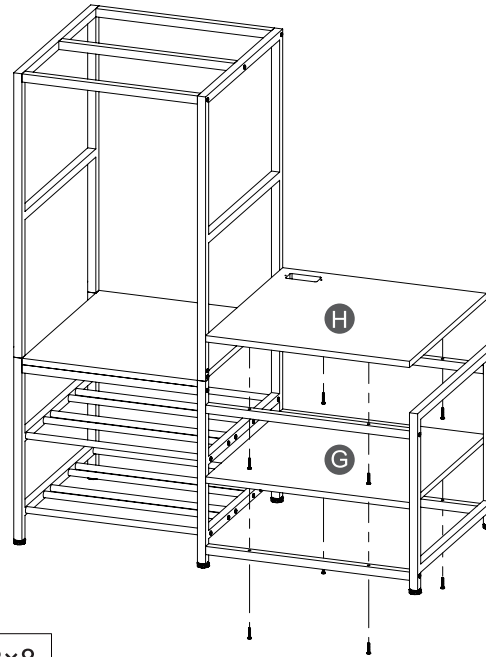
R x4

Step 7



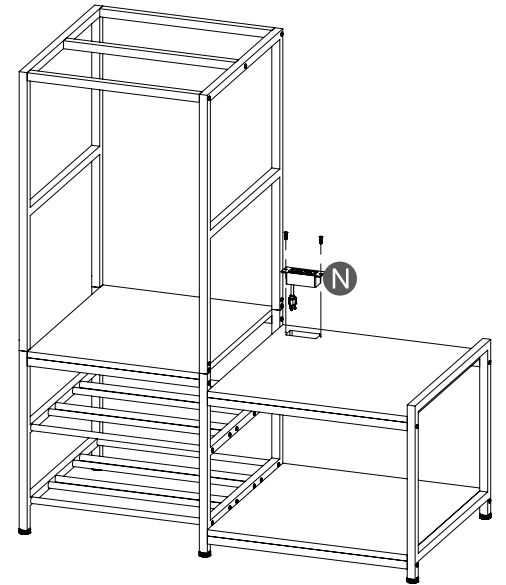
R×4

Step 8



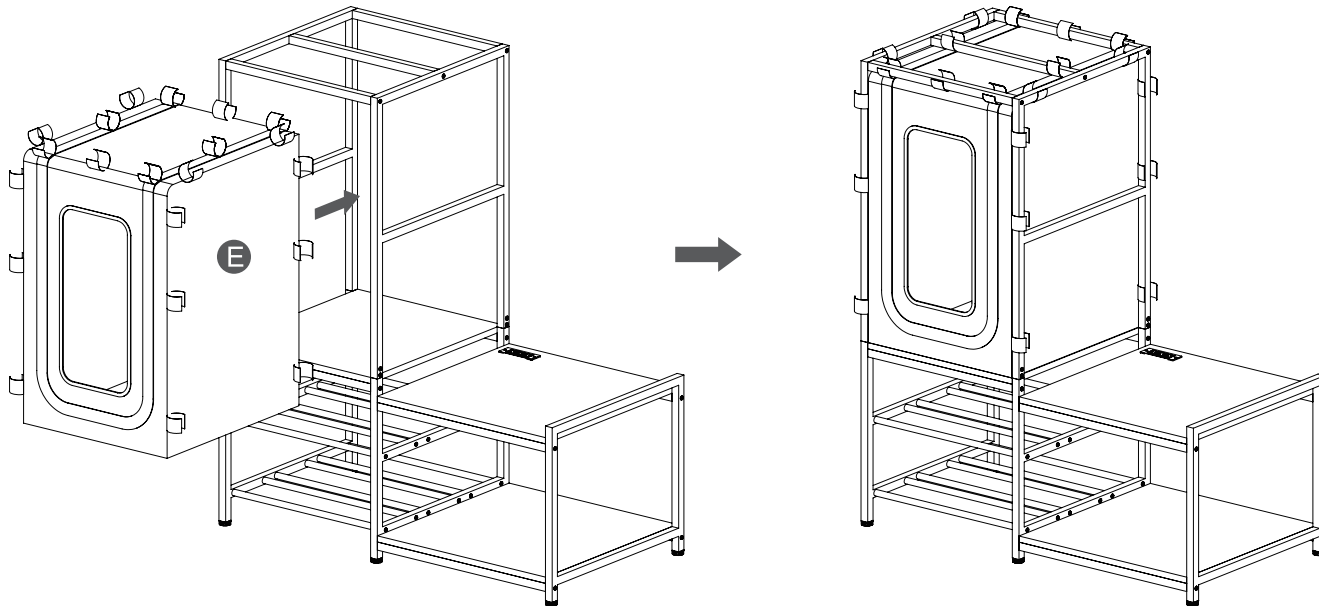
R×8

Step 9



S×2

Step 10



COMPLETION

