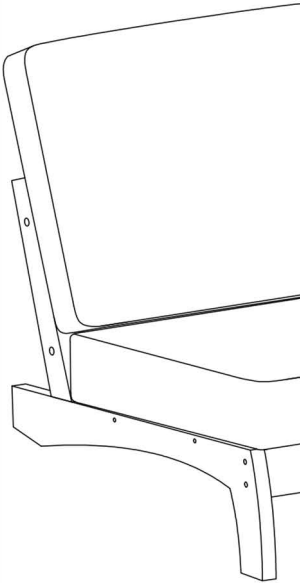


Owner Manual



WARRANTY

We strive to offer high quality product and we also try our best to satisfy each customer that order from us, no matter on products or services as needed. Each customer receives a record of their order, such as the order number or item receipt. For any items that are out of warranty period, you may still be able to purchase the replacement parts from our company if they are available.



MAINTENANCE AND WARNING

Please read the manual thoroughly before you start installing.

Please keep the product away from sharp object.

Packaging and small parts may have choking hazard, please keep them away from children and pets.

Please clean the product according to each clean code, check the product description for more information.

Please keep the product away from fire.

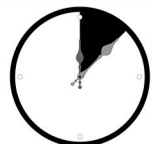
If you have any other questions, please contact us, we will be glad to help you out.

If the product is placed under direct sunlight, the pattern or color might fade away overtime.

Check the product periodically to make sure everything is secured and tightened.

Always use proper tools for installation.

Do not jump on the product.



PRODUCT DESCRIPTION

The waterproof cotton blend fabric keeps you dry and comfortable, even in rainy weather, making this chair perfect for year round outdoor use.

Crafted with a durable solid wood frame, this chair supports up to 400 lbs, offering solid strength for long lasting outdoor enjoyment.

The chair features soft, cushioned seating that adds comfort for hours of relaxation in your garden, patio, or balcony.

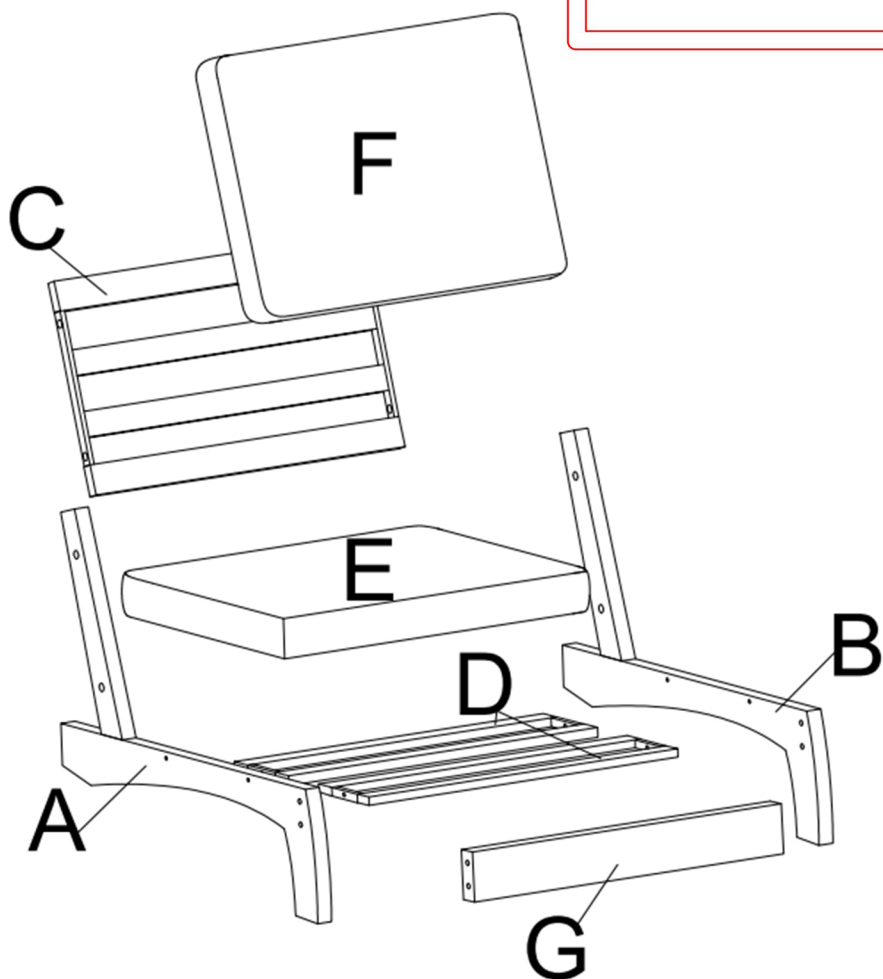
Set up is quick and simple, allowing you to enjoy your outdoor seating area without hassle.

This set includes two chairs, making it an ideal choice for couples, guests, or small outdoor gatherings.

EXPLODED VIEW

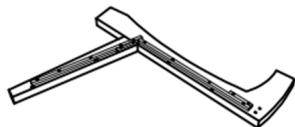


the product's left and right are determined by sitting posture



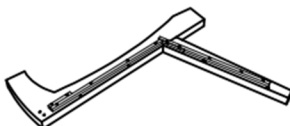
PARTS

Ax2



Right leg

Bx2



Left leg

Cx2



Back frame

Dx4



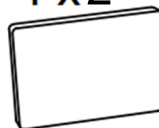
Seat frame

Ex2



Seat cushion

Fx2



Back cushion

Gx2



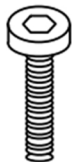
The front seat rail

HARDWARE

TOOL LIST

NOTE: Designated with (★) We provide additional spare parts in the hardware package

①x24



★ Bolt
M6*45mm

③x1



Allen wrench

④x8



★ Nuts

⑤x24

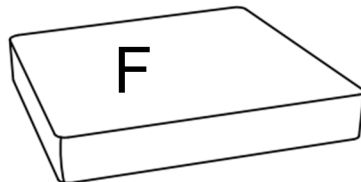
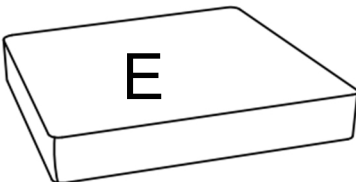
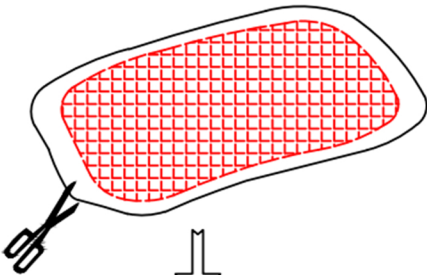
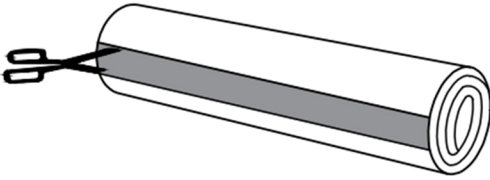


★ Plastic caps

Please make sure all hardware&packing material fitting the list. Especially some small accessories may be missing during transportation. Please contact us if you have any question.

step 1

Cut open the compression bag along the paper strip on the roll bag. Remove the seat cushion (E) and back cushion (F) and let them rest to recover their shape. Full recovery may take up to 48 hours, but you can gently slap the cushions to speed up the process.



Please be careful, do not cut yourself or product.

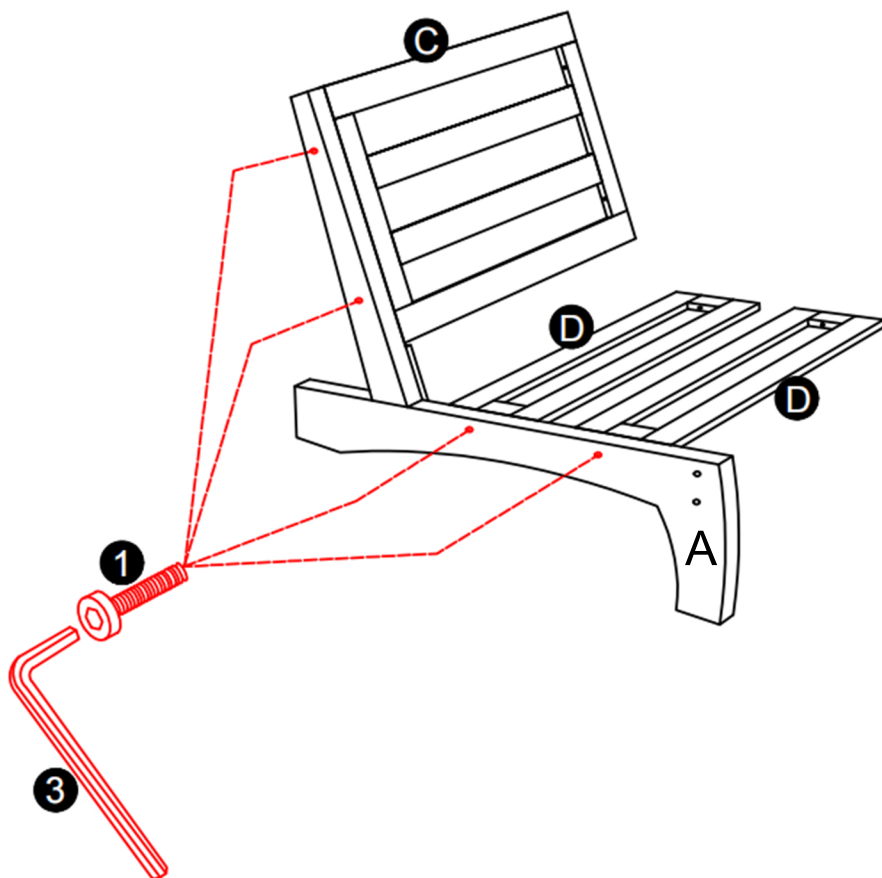


Both seat and backrest cushions have spare zipper sliders pre-attached at the zipper ends. If the current slider fails, simply replace it with the spare to restore full functionality.

X2

step 2

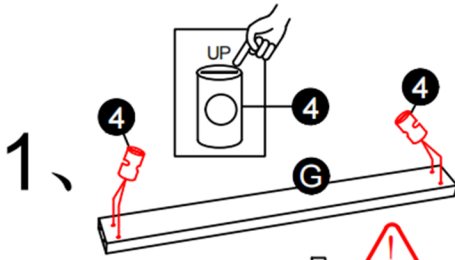
Use screws (1) and an Allen wrench (3) to attach the seat frame(D) and back frame(C) to the right leg(A).



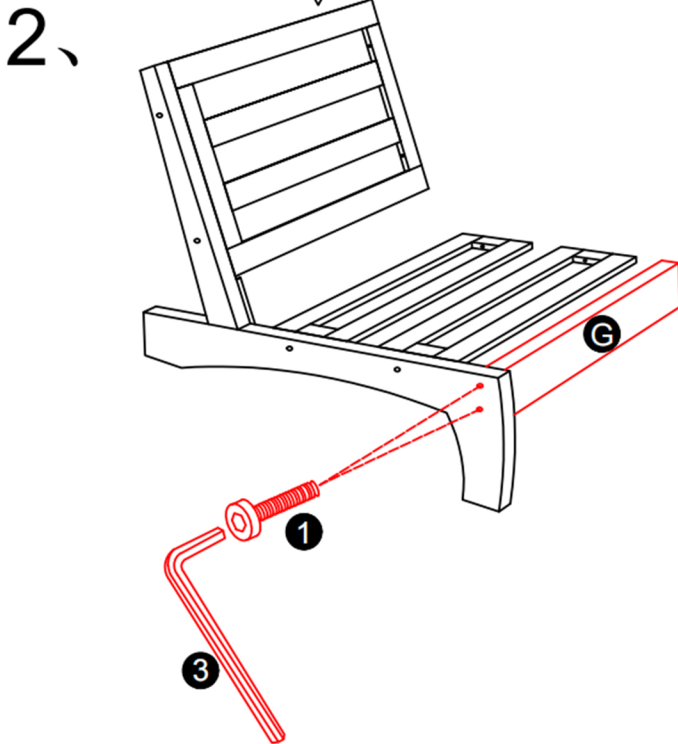
X2

step 3

Attach the front seat rail (G) with nuts(4) to the right leg using screws(1) and an Allen wrench (3), ensuring the side with nuts faces inward.



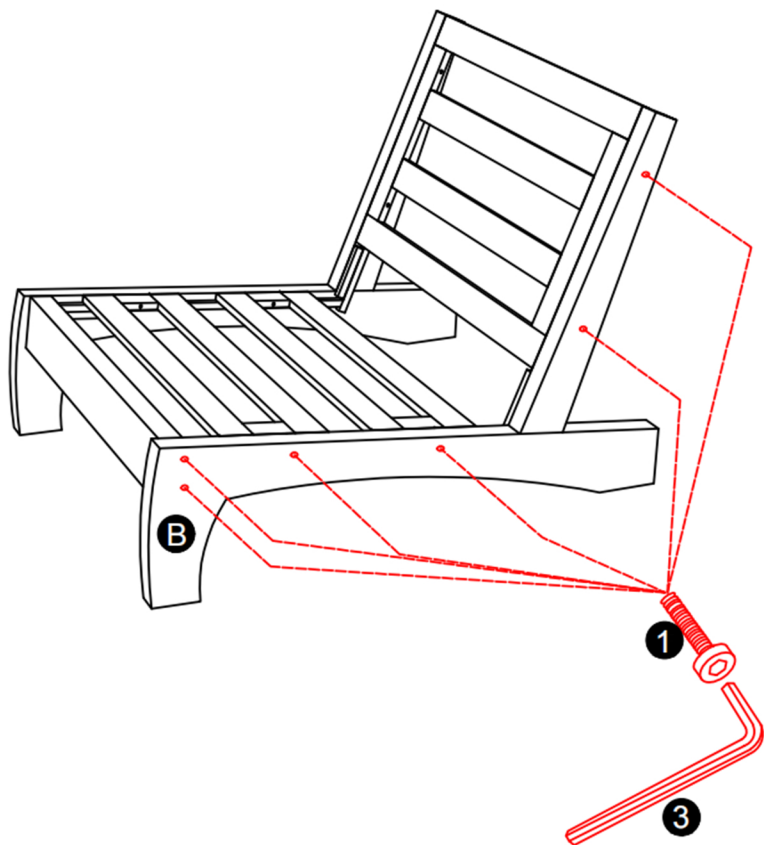
Make sure the holes on both nuts and rail are correctly aligned.



X2

step 4

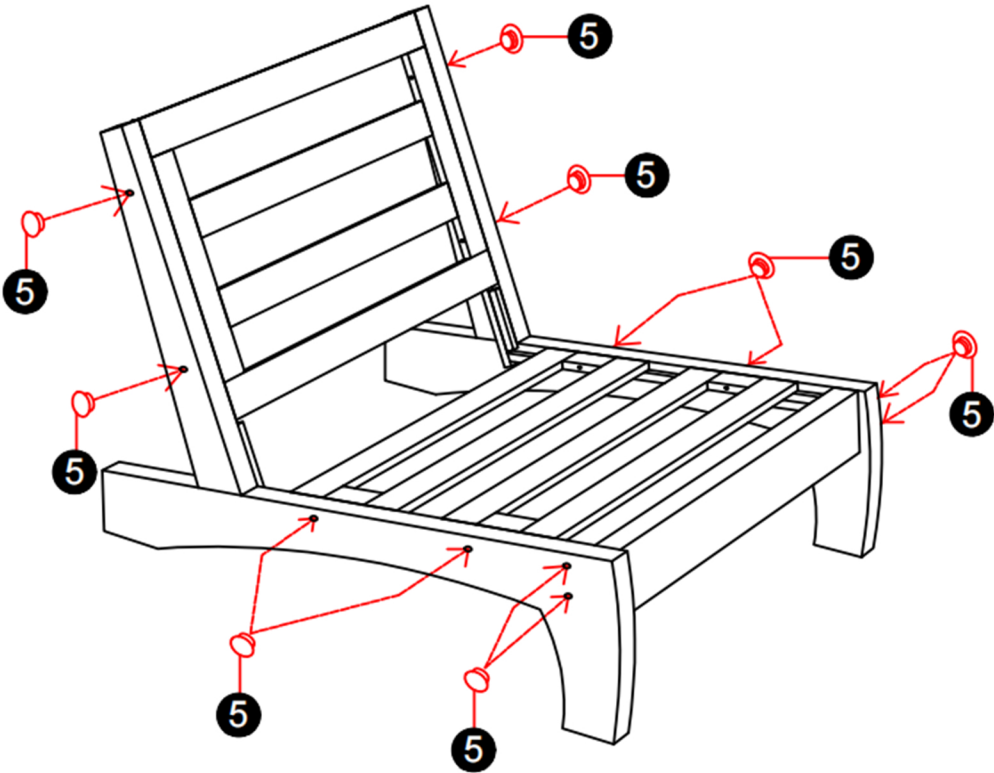
Flip the frame over and install the left leg (B) using screws(1) and an Allen wrench (3).



X2

step 5

Cover all screw holes on both sides of the legs with plastic caps (5).



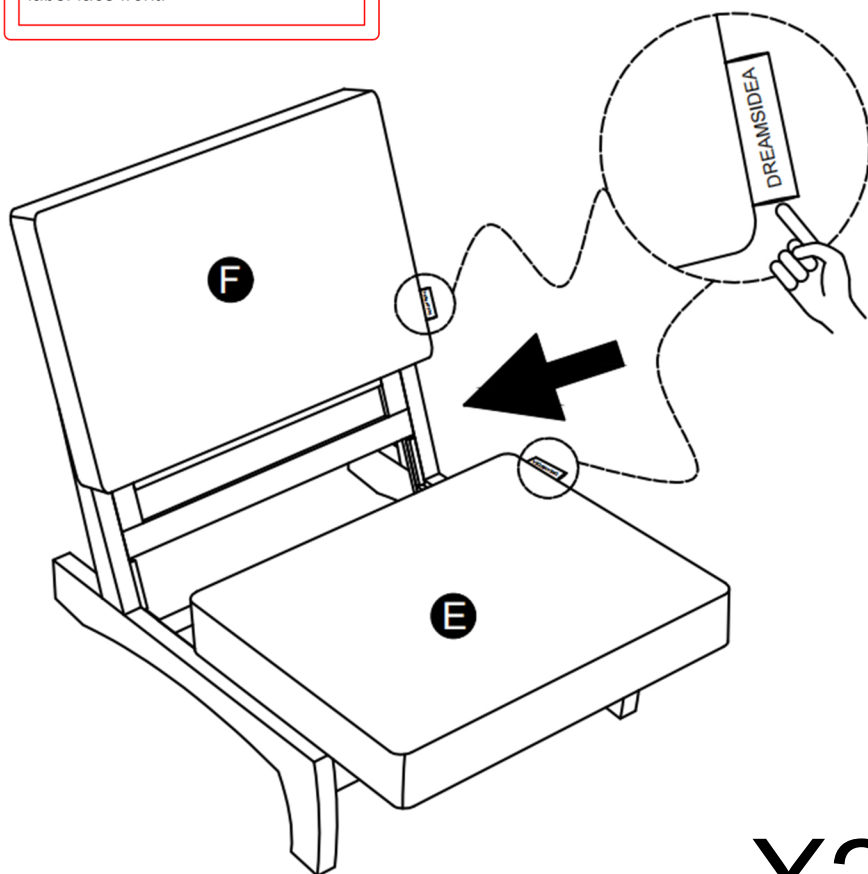
X2

step 6

Place the seat cushion (E) on the seat frame and the back cushion (F) on the back frame.



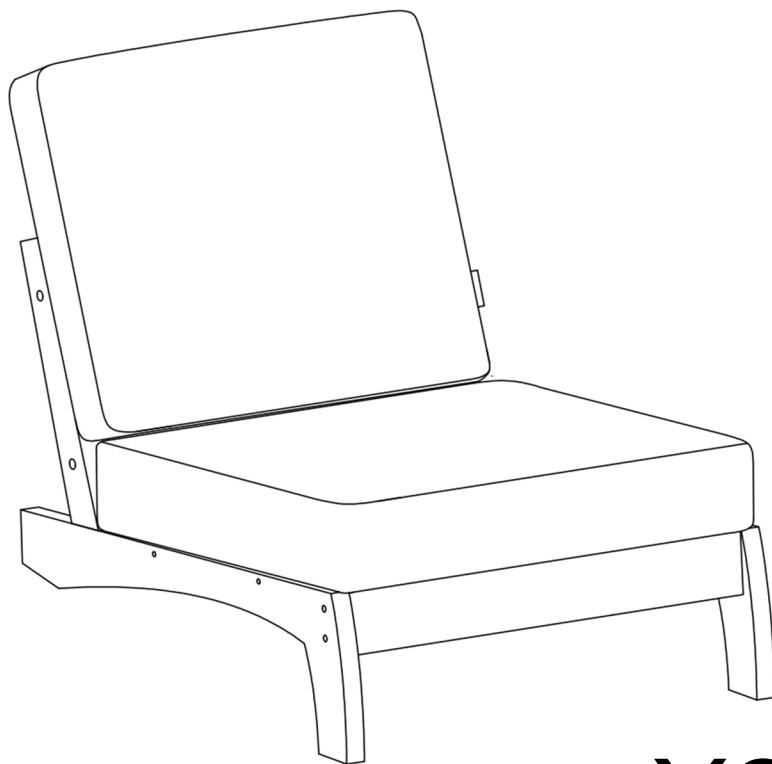
Place the seat cushion with sewn-in label face up.
Place the back cushion with sewn-in label face front.



X2

step 7

Congradulations! You have finished the assembly, thank you again for choosing our product! Please enjoy!



X2