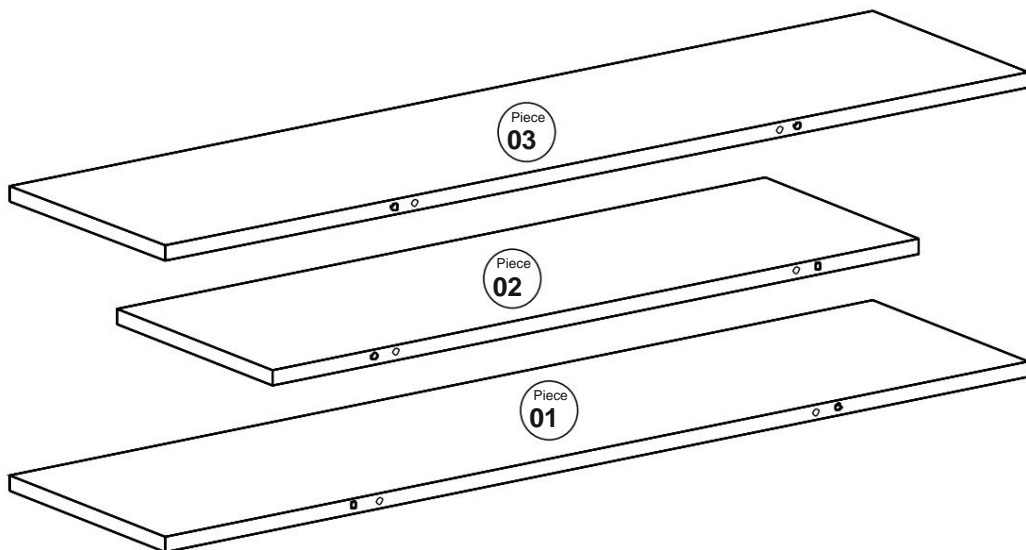
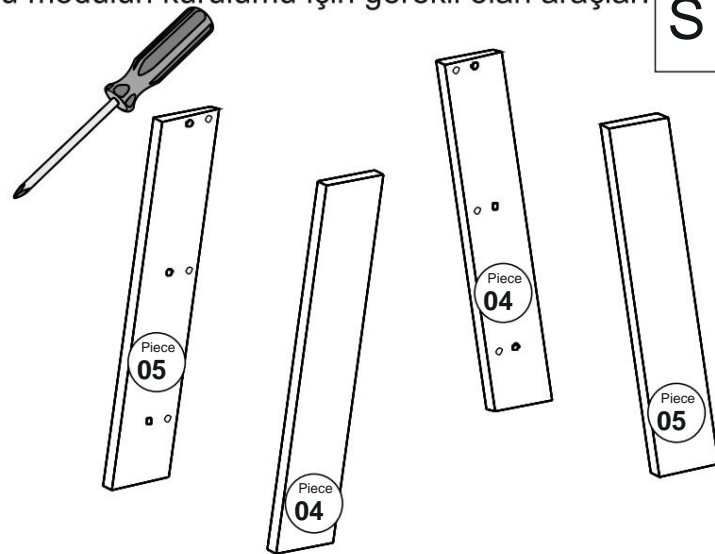
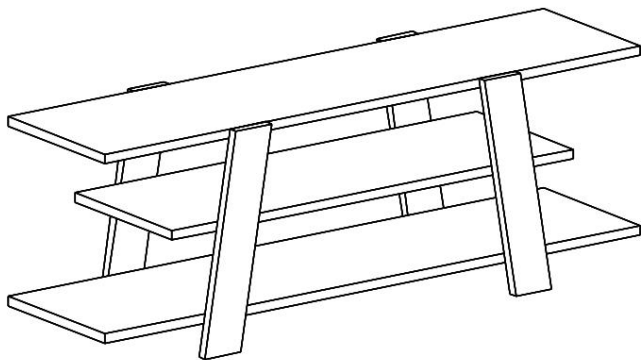


Bu modülün kurulumu için gerekli olan araçlar.

S 1



ACCESSORIES LIST

Minifix Body



A01

12x

Minifix Mil



A02

12x

Kavela



A02

12x

Minifix Plug



A04 12x

PARTS LIST

NO	IN	BOY	THICKNESS	QUANTITY
1	1200	300	18	1
2	900	300	18	1
3	1200	300	18	1
4	FOOT - 1		18	2
5	FOOT - 2		18	2

Dear Customer,

The product you have purchased has undergone all necessary tests and checks by us before reaching you. Even under these circumstances, it's possible for some parts to be damaged during transport. If this happens, do not return the entire product. Request only the damaged part. When requesting the necessary part, please refer to the service card and identify the part precisely. The missing part will be sent to you as quickly as possible.

Before beginning assembly, please check all parts and accessories included in the boxes according to the lists. Begin assembly only after verifying that all parts and accessories are complete and in good condition. Before beginning assembly, clean each part with a damp cloth.

If you have purchased more than one product, to avoid any confusion, assemble one product first before moving on to the next. Never drag the products while carrying them. Lift and disassemble the product and carry it with at least two people. For long-distance shipments, always transport the product in its original packaging.

The surfaces of the furniture you have purchased are very easy to clean. Simply wipe them with a damp, soapy cloth or other household cleaner. Since furniture is sensitive to extreme heat, cold, and humidity, avoid exposing your furniture directly to these elements. Do not use your furniture for purposes other than its intended use.

Dear Customer,

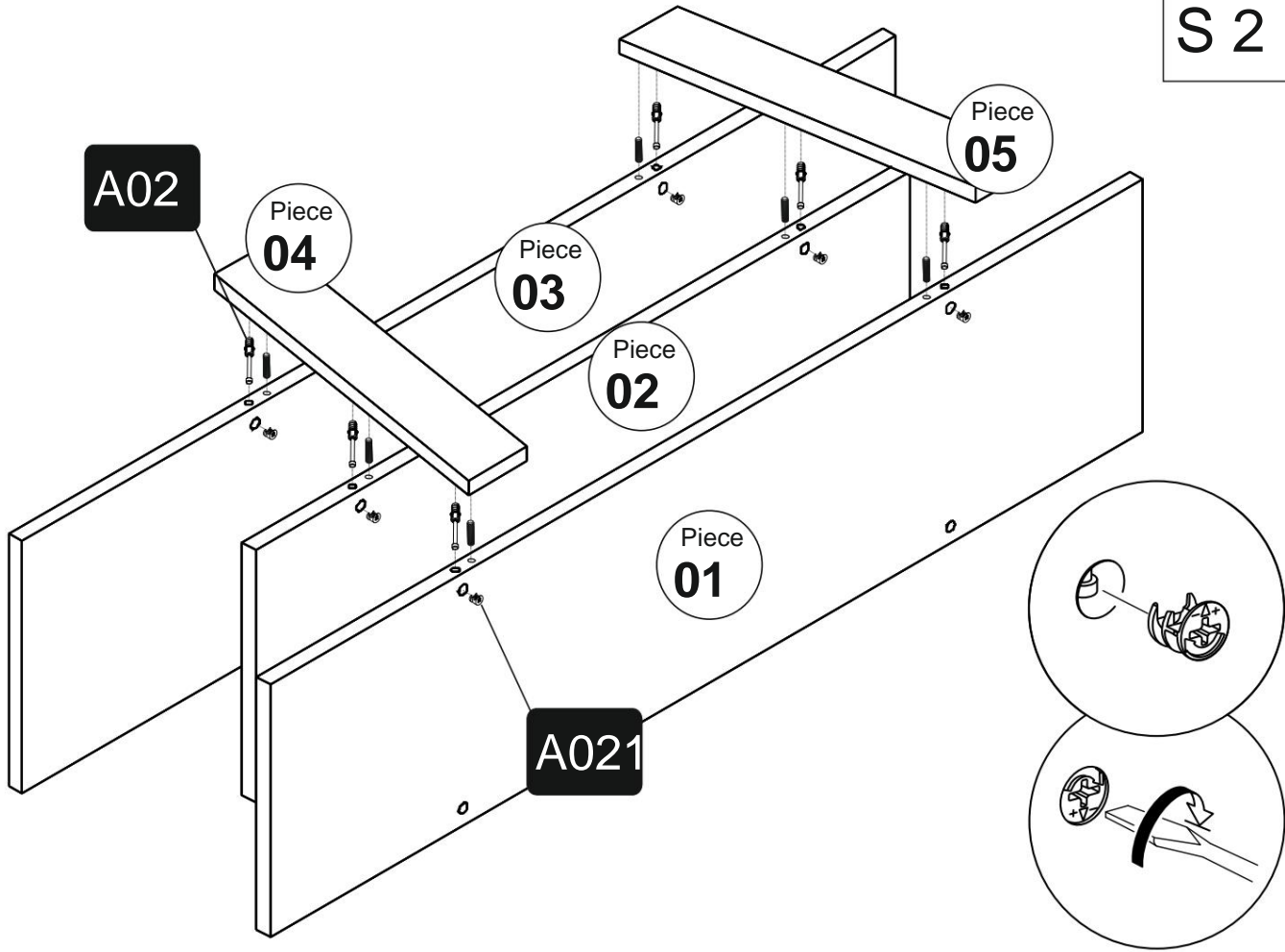
The product you bought was subjected to all sorts of tests and control before sending out to you. Even in this situation, sometimes happen that some component is damaged during the transportation. In such case please do not send the whole article back to us. Just request/order the damaged part. While requesting the required part, describe it exactly by looking to service card. Missing part will be sent to you as soon as possible. Before start assembling, please check the whole components and accessories according to the lists. After being sure that every part and accessory are okay and right, start assembling. Before start assembling, please clean all the components with a damp cloth. If you bought more than one product, to prevent confusion be sure that you completed the first product. Then start the other product's assembling. Never draw the products. While carrying, disassociate and lift the product and carry with minimum 2 people. For long distances carry the product with the package.

It is very easy to clean the surfaces of your product. It is enough to wipe with a damp and soapy cloth or other household cleaners. Do not directly contact your furniture with excessive heat, cold and humidity because the product can be affected. Do not use your furniture for out of purposes.

ASSEMBLY INSTRUCTIONS FOR FLOWER TV UNIT

S 2

1. PROCEDURE



2. PROCEDURE

