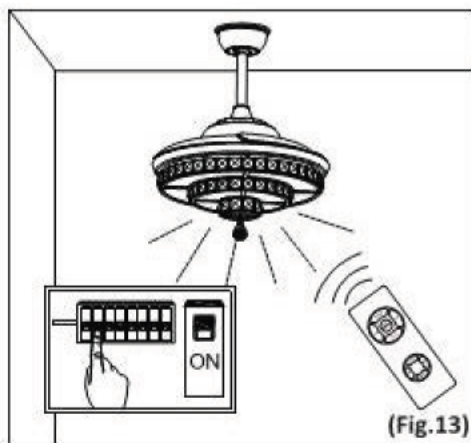


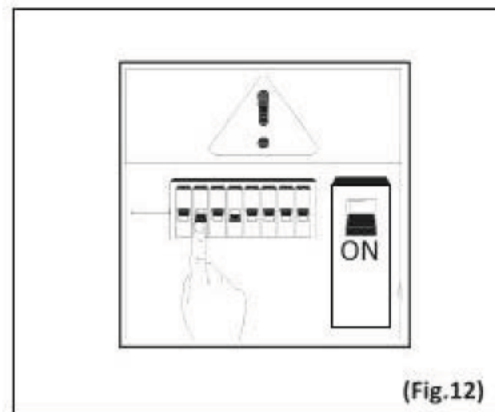
# Instructions for the use of fans and lamps

Be sure to check and confirm that the whole installation process conforms to the specifications shown in the instruction manual, and strictly follow the instructions to install and connect cables. Then power on using the remote control using the fan lamp

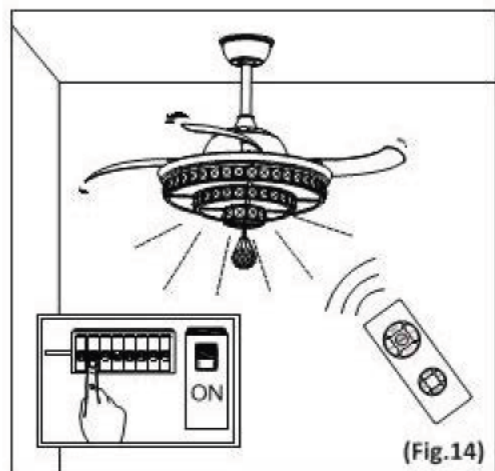
1. Switch on.

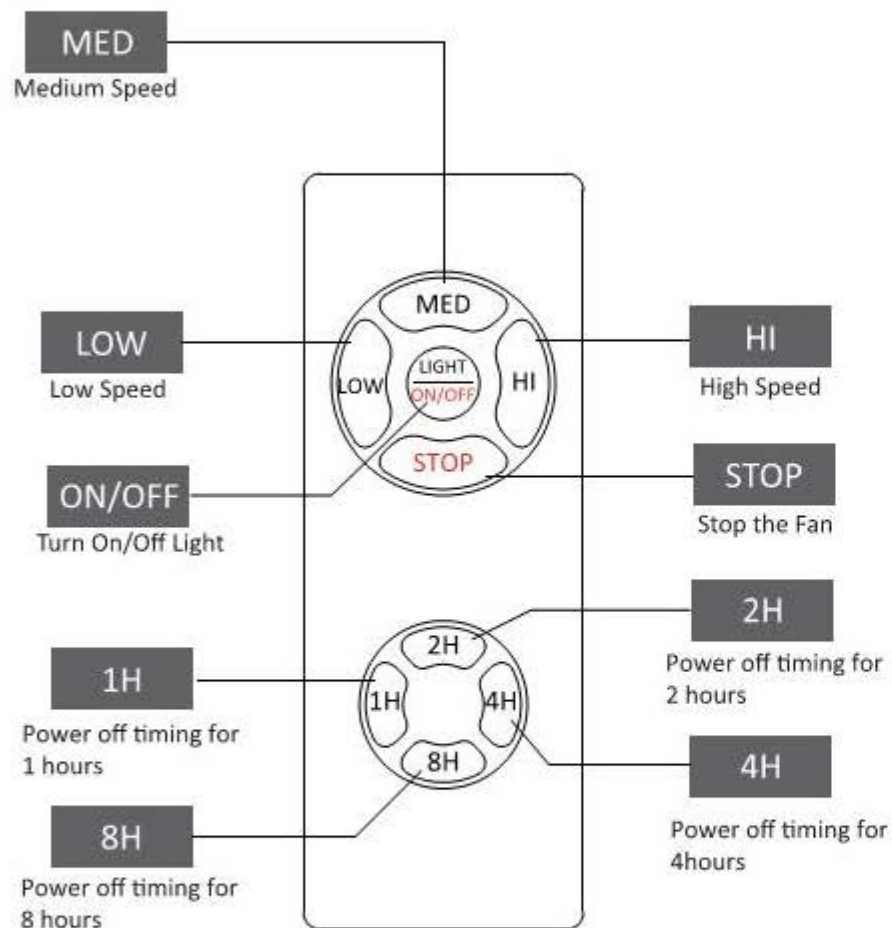


3. Control Fan With Remote.



2. Control Light With Remote.





If you have difficulty operating your new ceiling fan, it may be the result of incorrect assembly, or wiring. In some cases, these installation errors may be regarded as defects of the LED ceiling fan. If you experience any faults, please check this Trouble Shooting Guide. If problem cannot be solved, please consult with your authorized electrician and please feel free to contact us.

**Before:**

1. This is LED ceiling fan, DO NOT install any dimmer switch for this.
2. Install the Remote OR Wall Switch, DO NOT install both of them.
3. Check circuit fuses or breakers and make sure the battery is installed correctly.
4. Check line wire connections to the fan and switch wire connections in the switch housing.

**CAUTION:** Make sure main power is off.

### Problem: Fan doesn't work

- Make sure power switch is on.
- Check the circuit breaker to ensure the power is turned on.
- Make sure the blades spin freely.
- Turn off power from the circuit breaker, then loosen the canopy and check all the connections according to the wiring diagram.

### Problem: Excessive Wobbling

- Make sure the blades are properly installed on the blade iron posts.
- Turn the power off, support the fan carefully, and check that the hanger ball is properly seated.
- Use the provided balancing kit and instructions to balance the fan.

### Problem: Noisy Operation

- Make sure the blades are properly installed.
- Check to see if any of the blades are cracked. If so, replace all of the blades.

### Problem: Remote Control of Fan is Erratic

- Make sure the battery is installed correctly.
- Install a fresh battery.