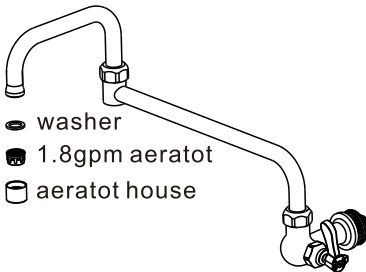
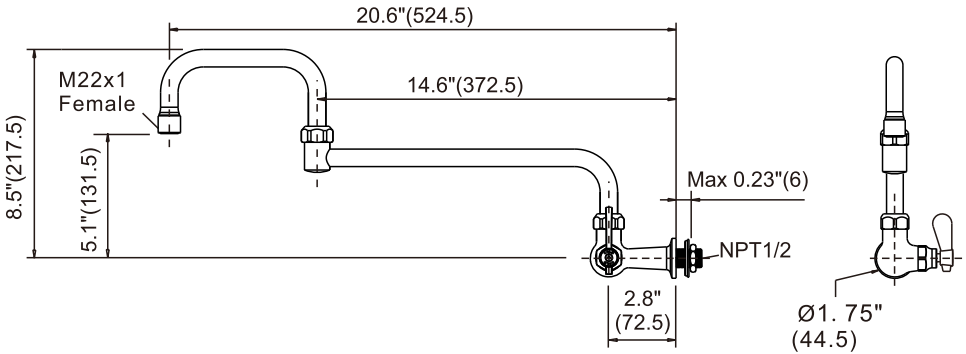


Installation instructions

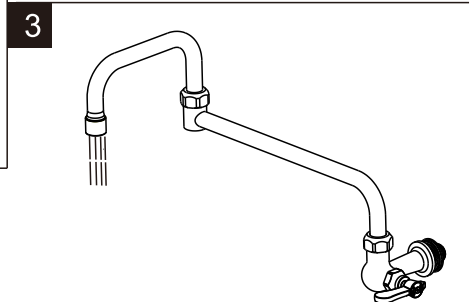
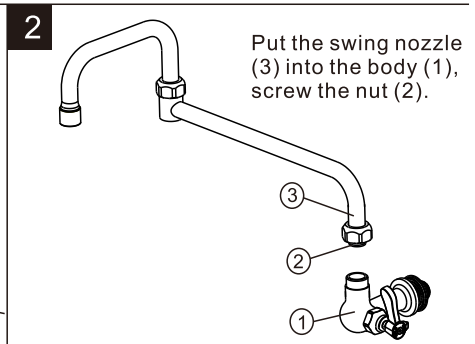
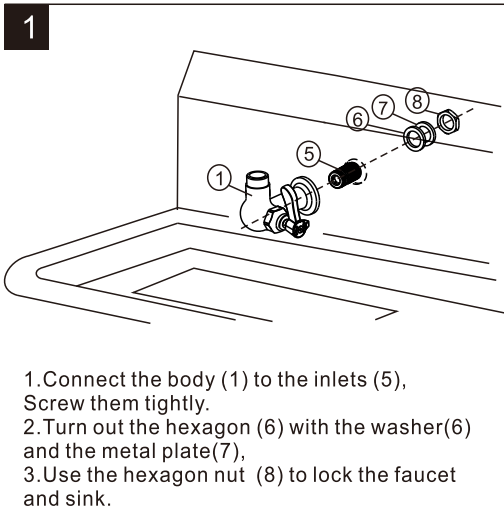
Pantry and Workboard Faucets

2319600C
unit:inch (mm)



With 1.8 gpm are compliant with California water efficiency regulations, Complies with California Proposition 65 and with the Federal Safe Drinking Water Act.

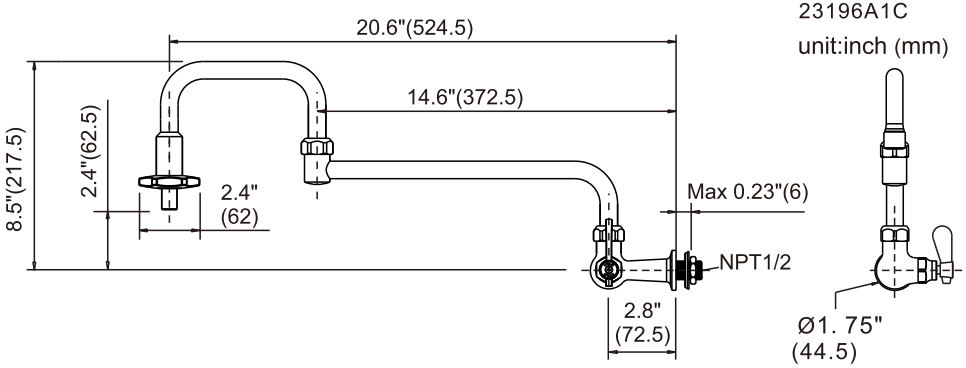
In areas with extremely low water pressure causing the faucet water flow to be unsatisfactory, replace the 2.2 gpm aerator to improve the water flow in the faucet.



FLUSH SYSTEM/CHECK FOR LEAKS.
Turn on hot and cold water supplies and flush water lines for one minute.
Check all connections at arrows for leaks.
Retighten if necessary, but do not overtighten.

Installation instructions

Pantry and Workboard Faucets

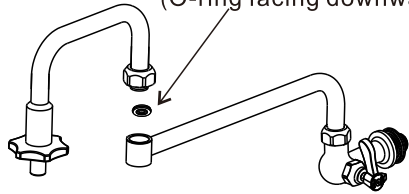


With 1.8 gpm are compliant with California water efficiency regulations, Complies with California Proposition 65 and with the Federal Safe Drinking Water Act.

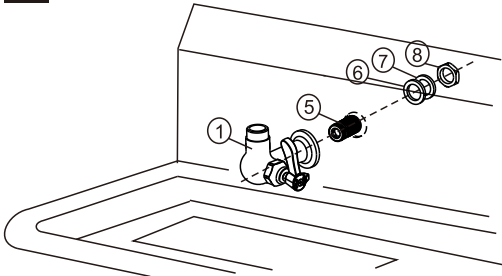
Water Use Information: 1.8 gpm 6.8L/min, You can choose to replace the current limiting device and O-ring facing downwards.

In areas with extremely low water pressure causing the faucet water flow to be unsatisfactory, Remove the water folw regulator.

1.8GPM WATER FOLW REGULATOR (O-ring facing downwards)

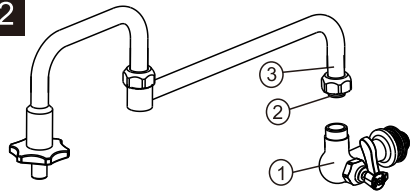


1



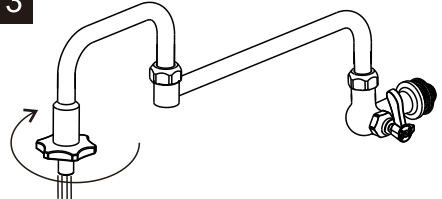
1. Connect the body (1) to the inlets (5), Screw them tightly.
2. Turn out the hexagon (6) with the washer (6) and the metal plate (7),
3. Use the hexagon nut (8) to lock the faucet and sink.

2



Put the swing nozzle (3) into the body (1), screw the nut (2).

3



Notice:
Simple on/off control by rotating handle . Shut off both handle cartridges when not in use or left unattended. Improper use or inadequate drainage below faucet may cause water damage.

FLUSH SYSTEM/CHECK FOR LEAKS.
Turn on hot and cold water supplies and flush water lines for one minute. Check all connections at arrows for leaks. Retighten if necessary, but do not overtighten.