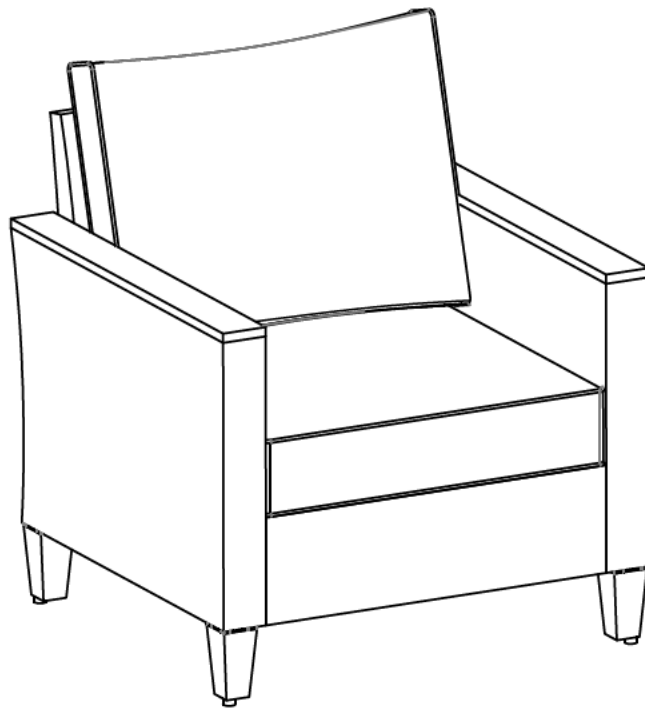


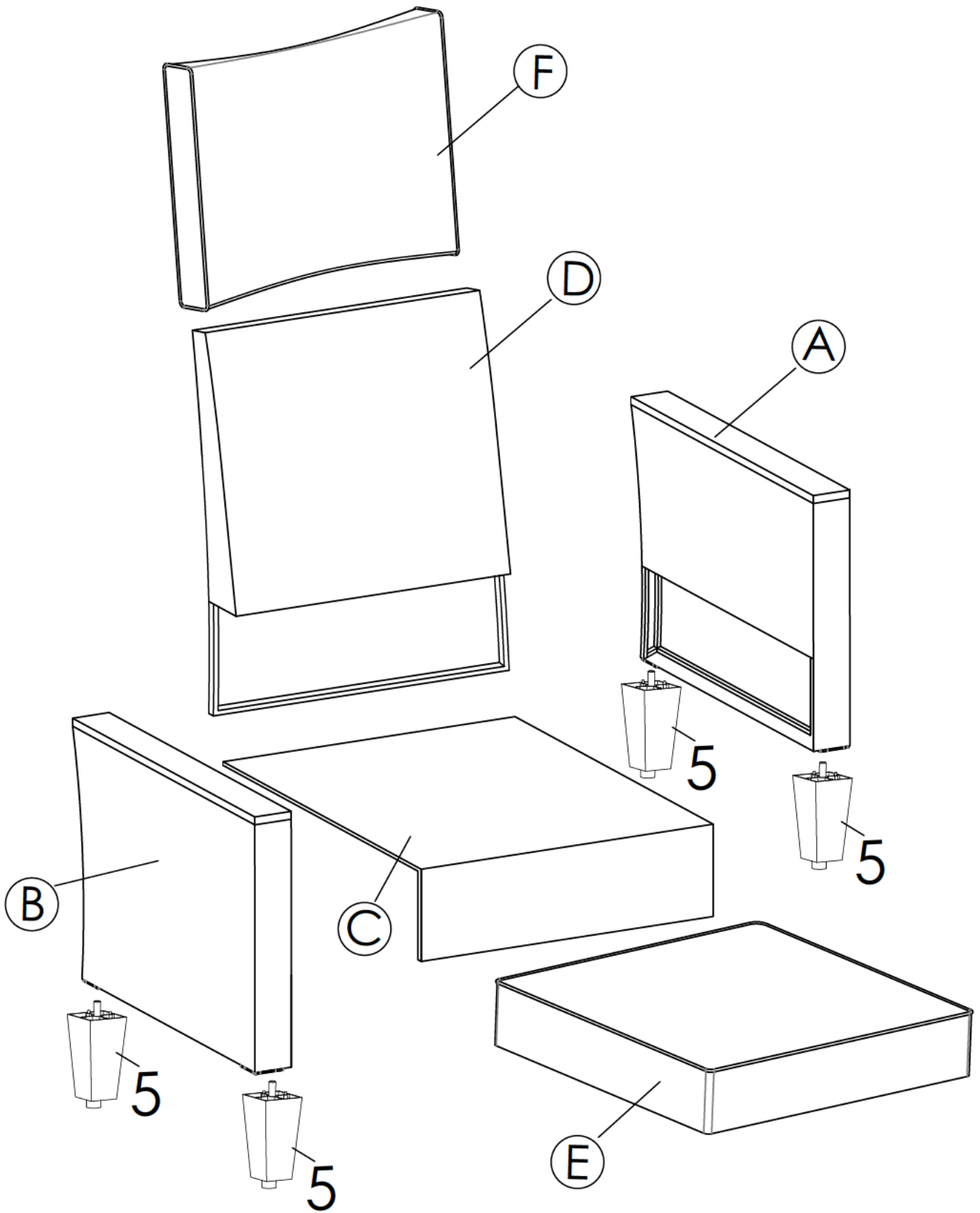
Assembly Manual

Single Sofa



Please read this manual carefully before any operation and keep it properly for future use.

Exploded View



Components List

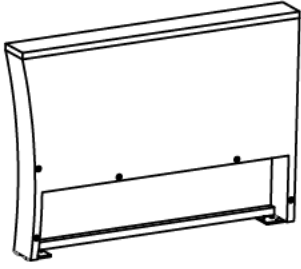
40 min

Assembly Time



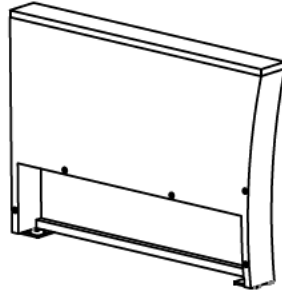
Two People

A



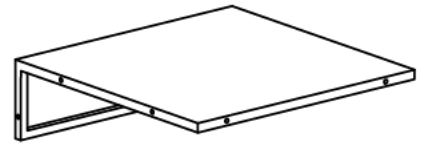
Left Arm (X2)

B



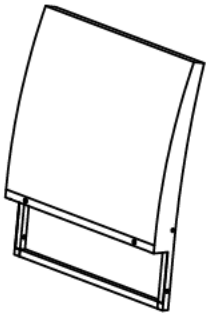
Right Arm (X2)

C



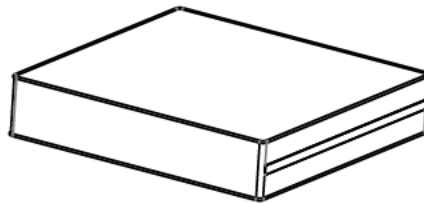
Seat Frame (X2)

D



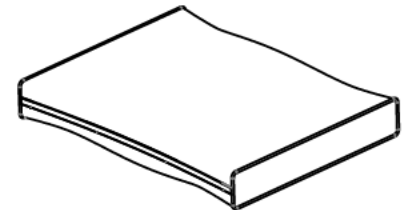
Back Frame (X2)

E





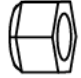


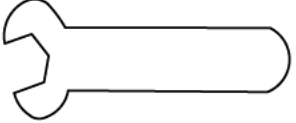
Seat Cushion (X2)

F



Back Cushion (X2)

Components list

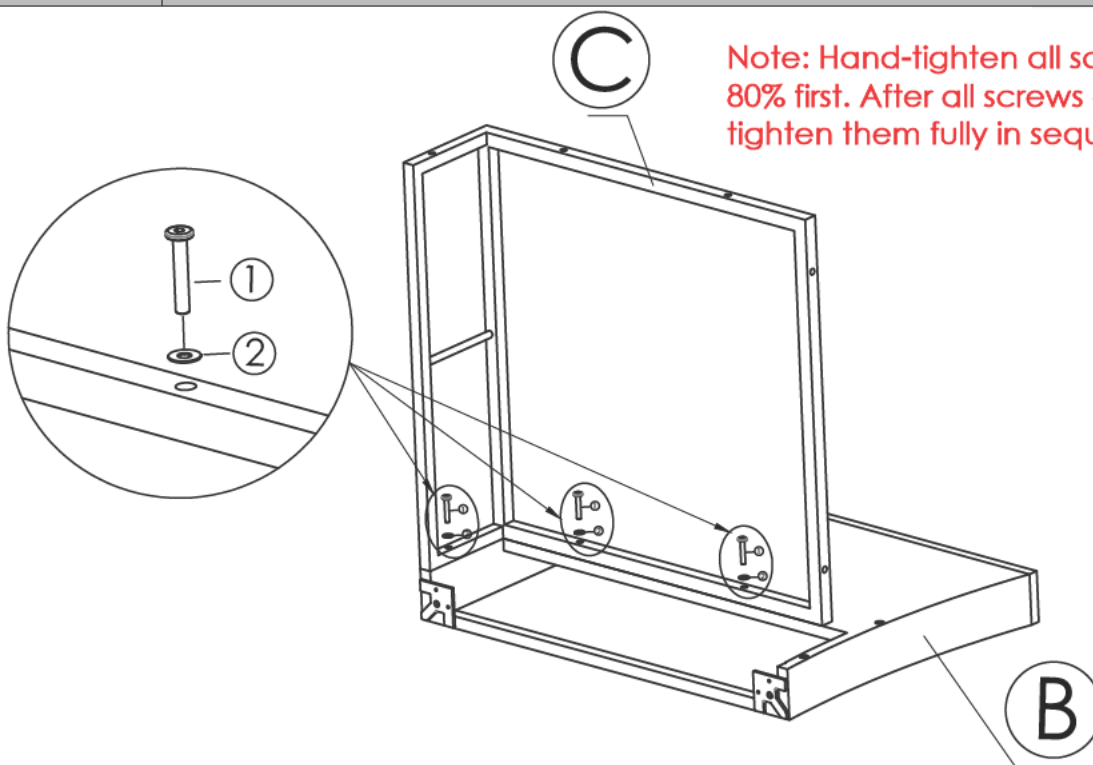
1			2			3		
								
Bolt	M6x35	24+2	Washer	M6	24+2	Nut	M8	8+1
4			5			6		
								
Allen wrench	M6	1	Foot		8	wrench	M8	1

Note: The qty after "+" sign indicates the extra piece(s).

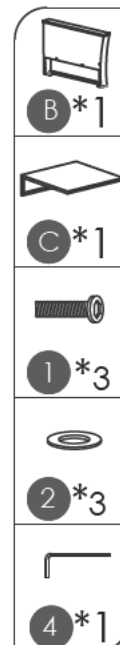
Assembly Instruction

STEP 1

Attach right armrest(B) to seat frame(C) using bolts(1), washers(2) and Allen wrench(4).

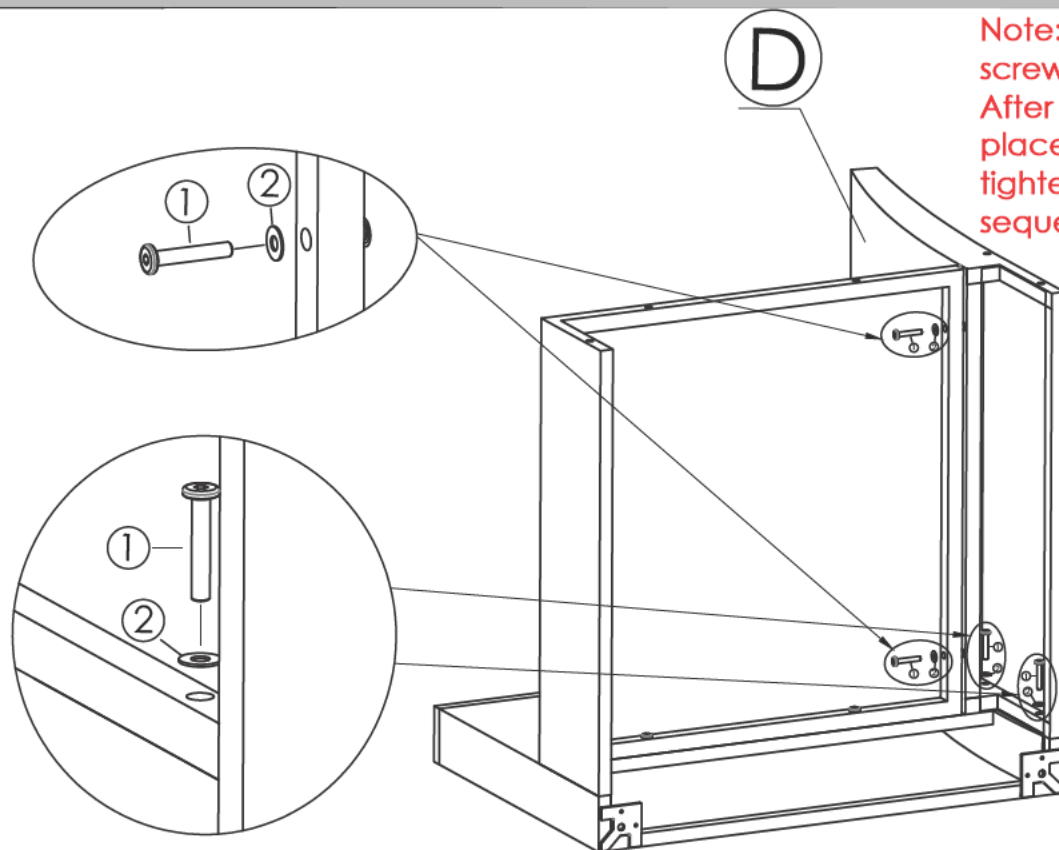


Note: Hand-tighten all screws to about 80% first. After all screws are in place, tighten them fully in sequence.



STEP 2

Attach back frame(D) to seat frame(C) using bolts(1), washers(2) and Allen wrench(4).



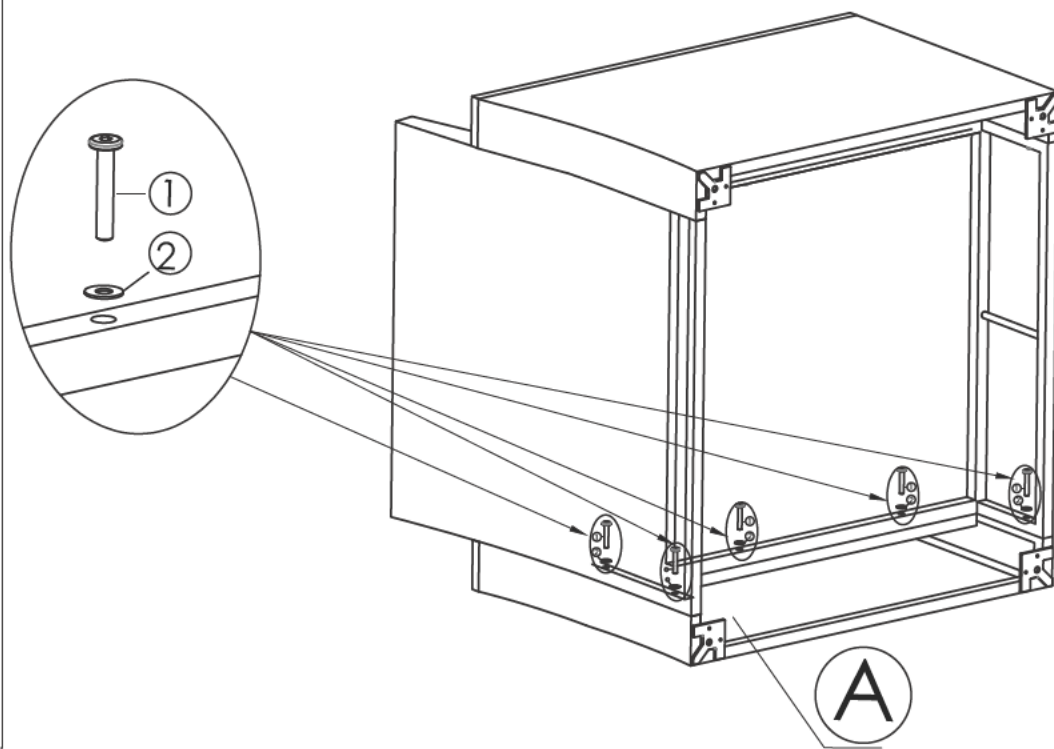
Note: Hand-tighten all screws to about 80% first. After all screws are in place, tighten them fully in sequence.



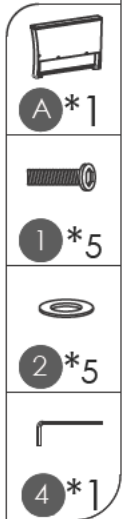
Assembly Instruction

STEP 3

Attach left armrest(A) to seat frame(C) and back frame(D) using bolts(1), washers(2) and Allen wrench(4).



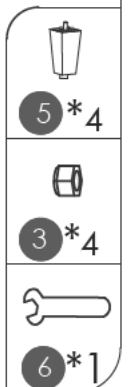
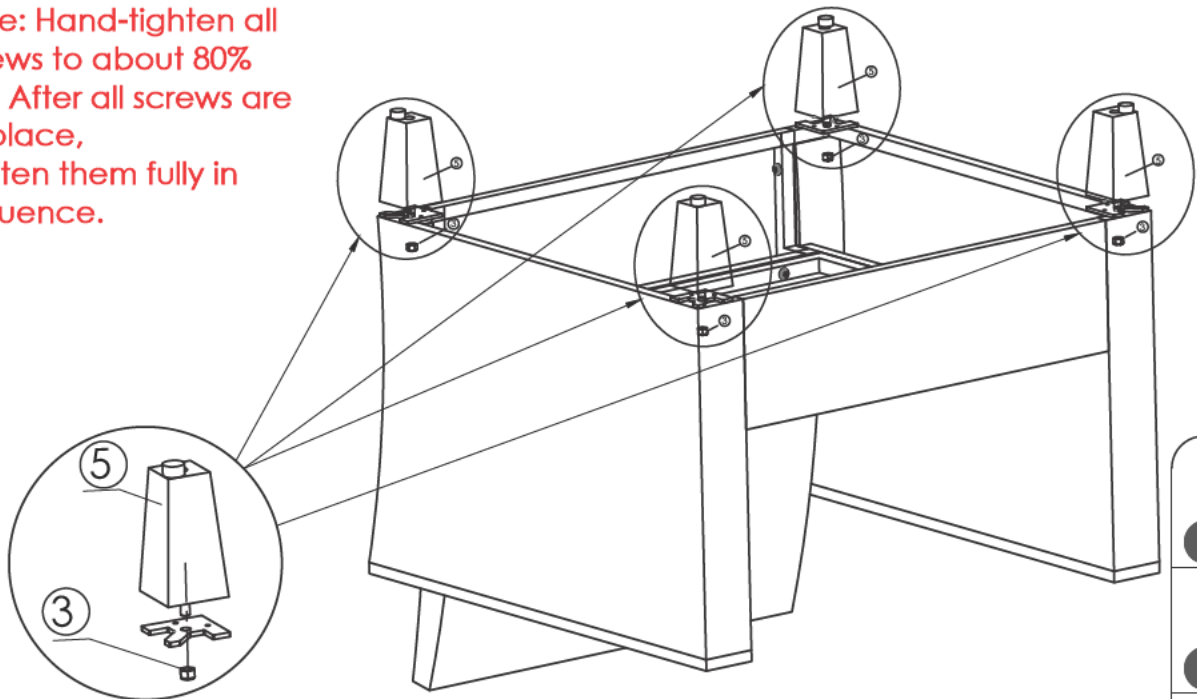
Note: Hand-tighten all screws to about 80% first. After all screws are in place, tighten them fully in sequence.



STEP 4

Attach feet(5) using nuts(3) and wrench(6).

Note: Hand-tighten all screws to about 80% first. After all screws are in place, tighten them fully in sequence.



Assembly Instruction

STEP 5

Tighten all bolts 100%, flip the sofa over and put the seat cushions(E) and back cushions(F) on the seat frame. The assembly is done. If you find the sofa not level, please adjust the feet accordingly.

