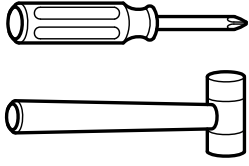
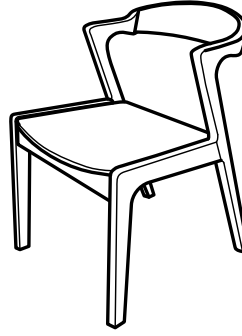


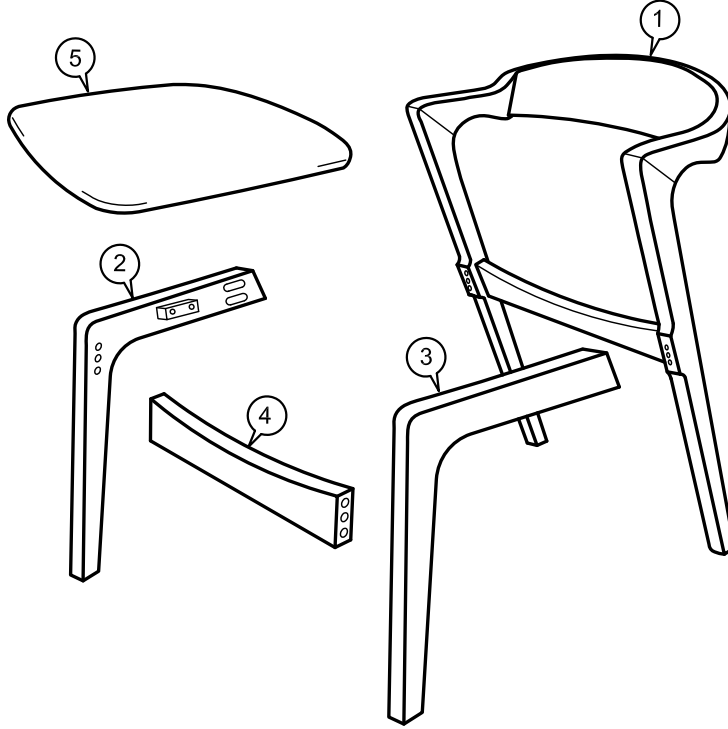
ASSEMBLY
INSTRUCTIONS

Item : Dining Chair

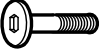


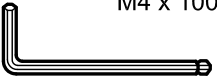
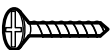


Not Provided

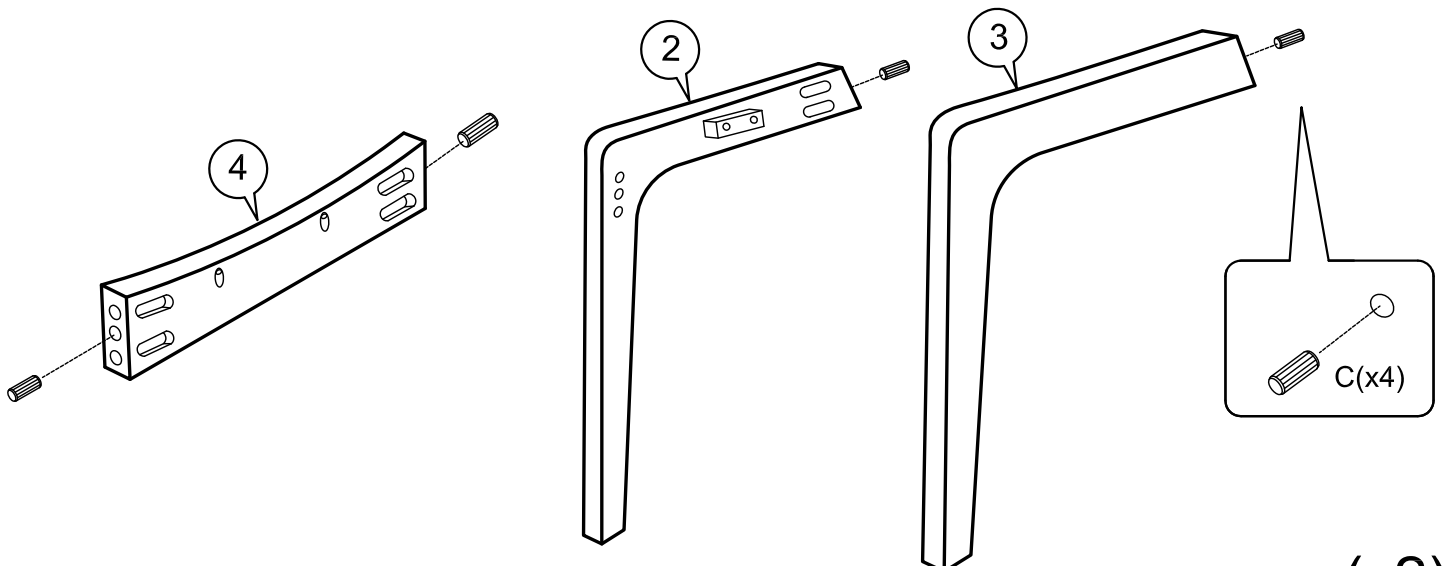
Part List :



HARDWARE LIST :

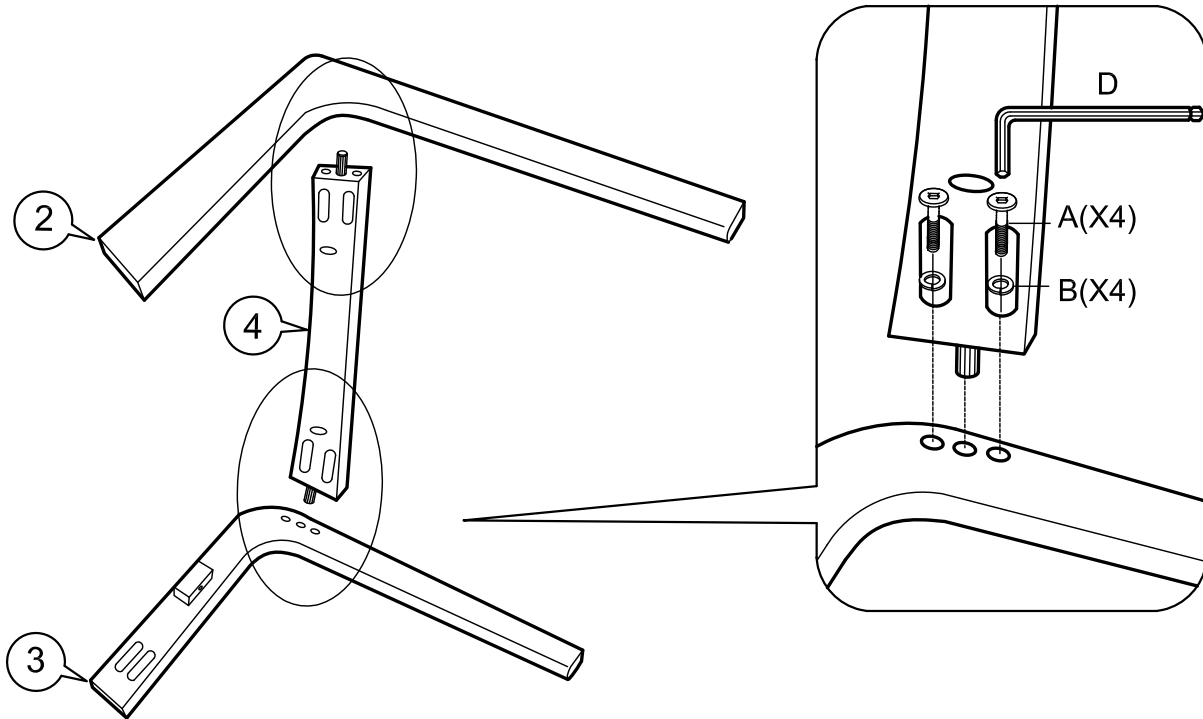
<p>A M6 x 50mm = 16</p> 	<p>B 5/16" = 16</p> 	<p>C M8 x 30mm = 8</p> 	<p>D M4 x 100mm = 1</p> 
<p>E M4 x 32mm = 12</p> 			

1



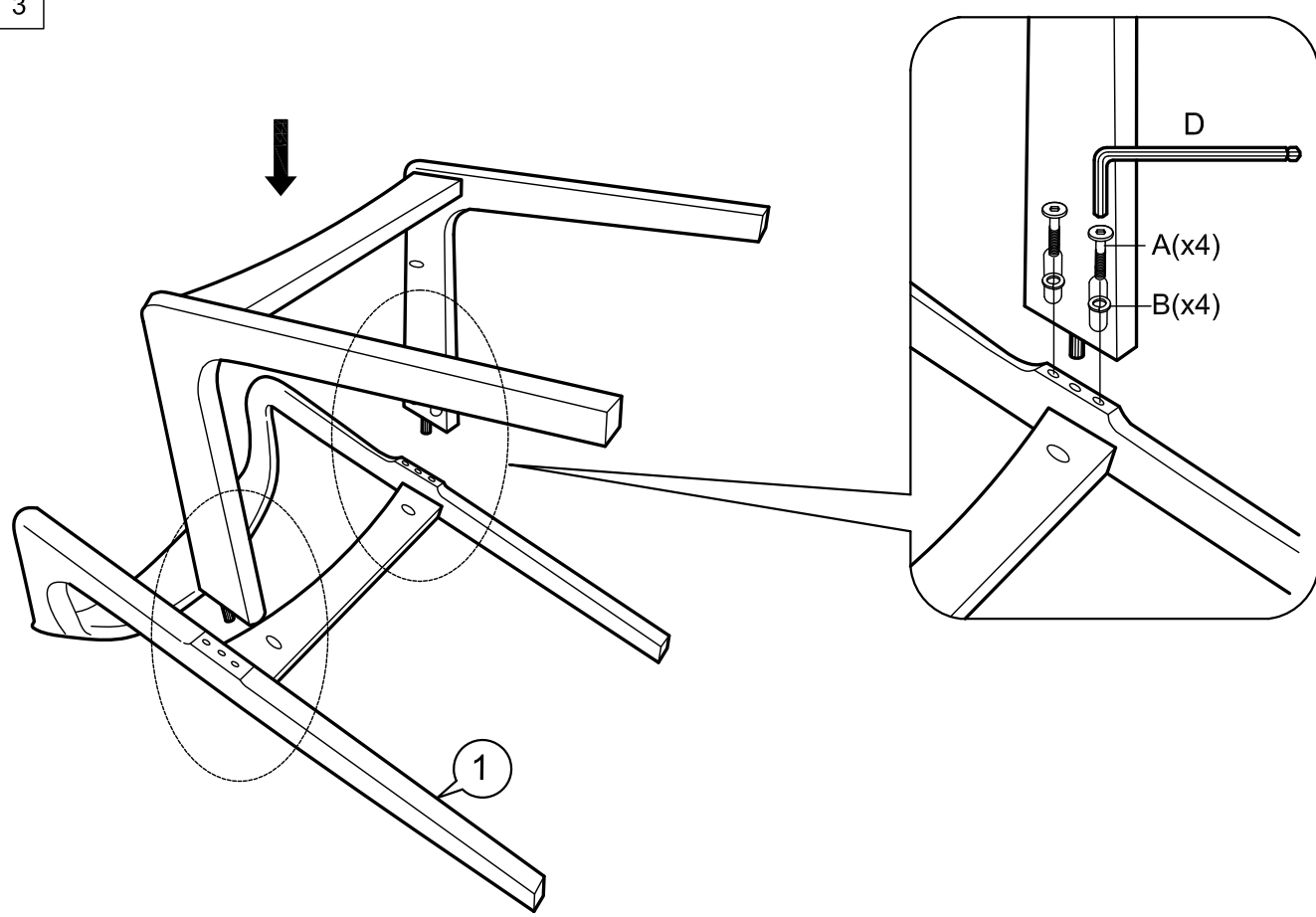
(x2)

2



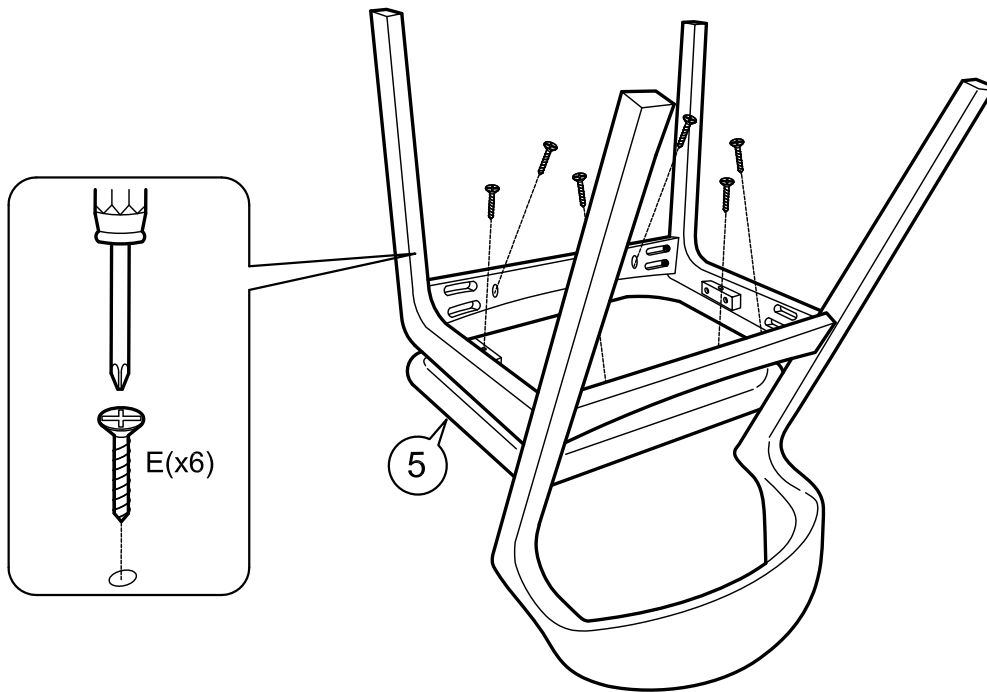
(x2)

3



(x2)

4



(x2)