

# INSTRUCTION MANUAL ENCLOSED

## ATTENTION

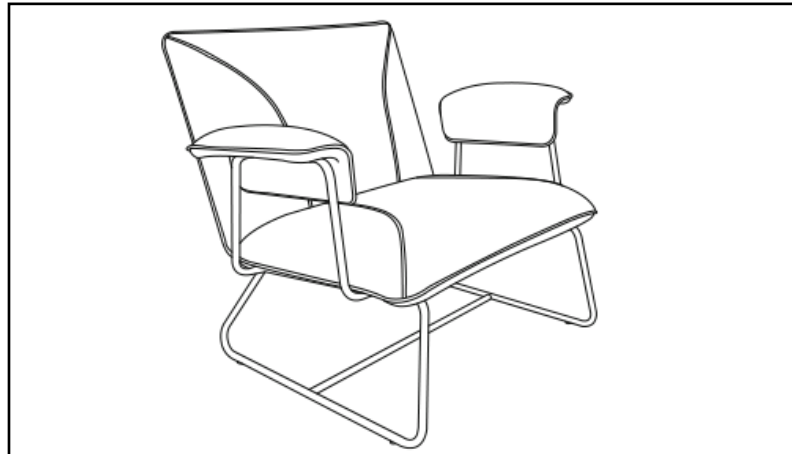
IF YOU HAVE ANY PROBLEMS OR QUESTIONS, PLEASE EMAIL OR CALL THE CUSTOMER SERVICE BEFORE YOU RETURN THIS PRODUCT TO THE STORE WHERE YOU PURCHASED FROM.

## ATTENTION













SI VOUS RENCONTREZ UN PROBLÈME OU AVEZ DES QUESTIONS, VEUILLEZ CONTACTER LE SERVICE À LA CLIENTÈLE AVANT DE RETOURNER LE PRODUIT AU MARCHAND DUQUEL VOUS L'AVEZ ACHETÉ

# INDOOR CHAIR

## INDOOR CHAIR ASSEMBLY INSTRUCTION



PARTS LIST			
Part	Description	Quantity	
<i>PARTS</i>			
A	Seat	1	
B,C,D	Arms	4	
E,F,G	Base	3	
<i>HARDWARE</i>			
H	Bolt M6 ×30mm	2	
I	Bolt M6 ×14mm	4	
J	Bolt M6 ×20mm	16	
K	M6 Allen Key	1	
L	M4 Allen Key	1	

A  1PC	B  2PCS	C  1PC	D  1PC	E  1PC	F  1PC
G  1PC	H  2PCS	I  4PCS	J  16PCS	K  1PC	L  1PC

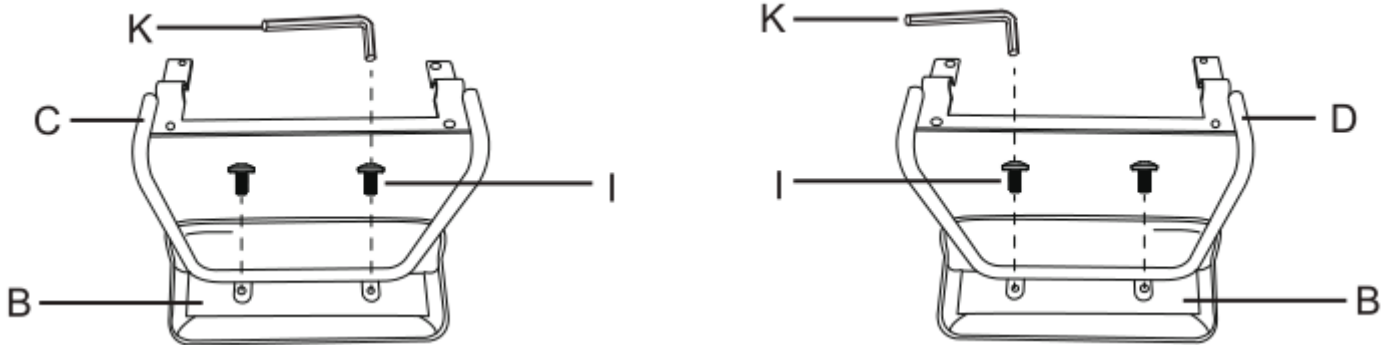
# PLEASE READ AND FOLLOW ALL SAFETY TIPS

## GETTING STARTED

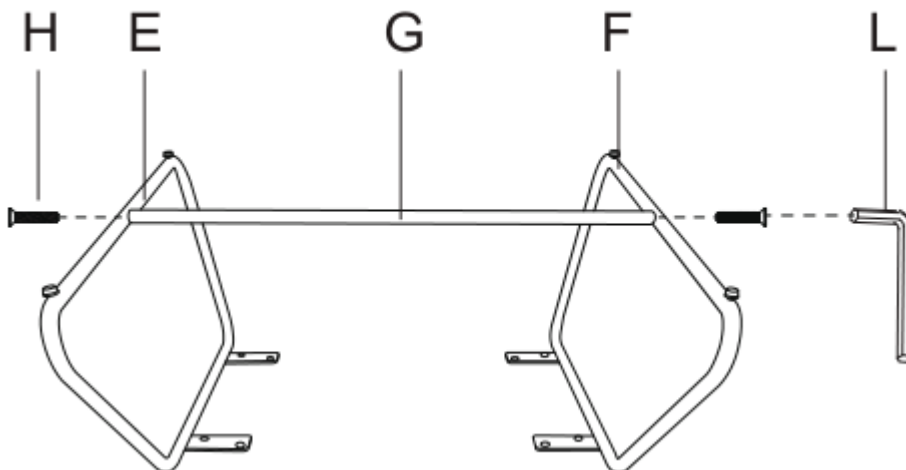
1. Before assembly, CAREFULLY use scissors or utility knife to cut and unwrap all parts. Make sure you do not discard the hardware.

\*\*\*Do not tight up the bolts before finishing all steps.

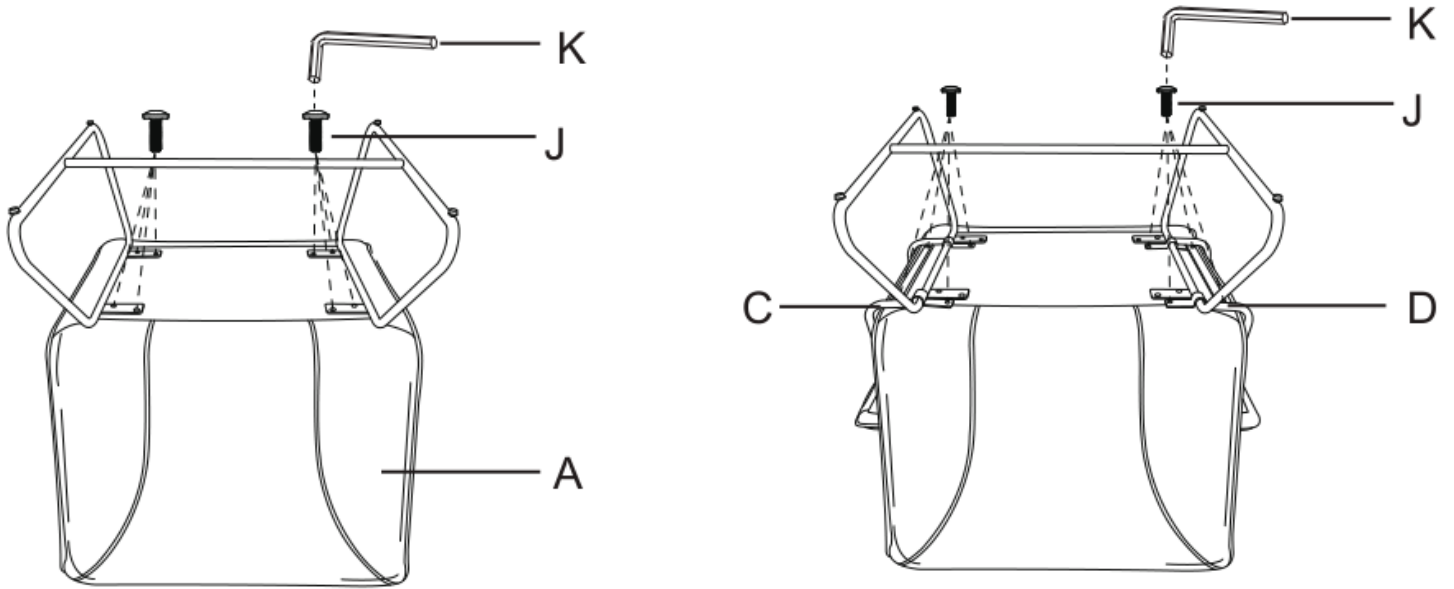
1. Flip over the Arms and locate the C to the B by aligning the pre-drilled holes. Fasten all 2 pieces of Bolts (I) with Allen Key(K).



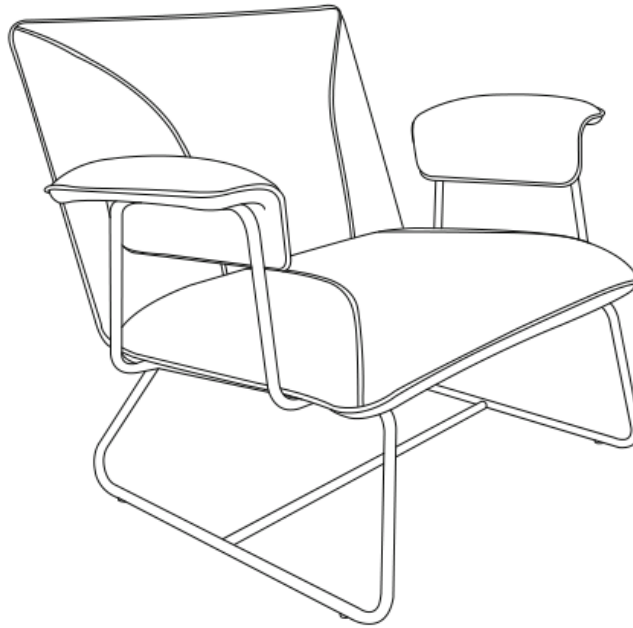
2. Assembly the base, Fasten all 2 pieces of Bolts (H) with Allen Key(L)



3. Flip over the seat and locate the Base to the Seat (A) by aligning the pre-drilled holes. Fasten all 4 pieces of Bolts (J) with Allen Key(K).
4. Put the arms to the Seat, Fasten all 4 pieces of Bolts (J) with Allen Key(K).



5. Turn back the whole assembled chair.



Till now you have finished the whole assembly.