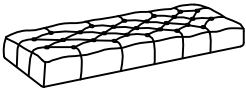
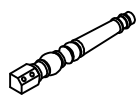



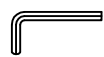
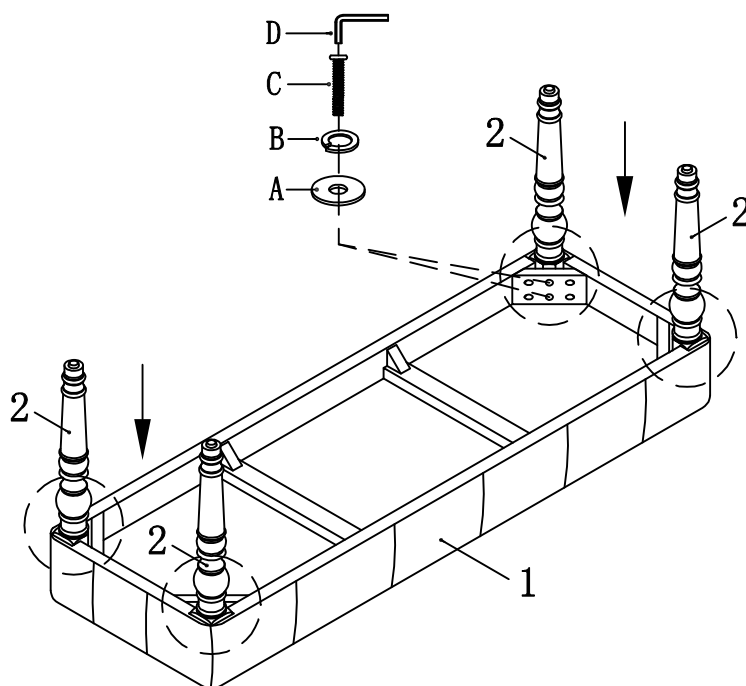


# ASSEMBLY INSTRUCTION

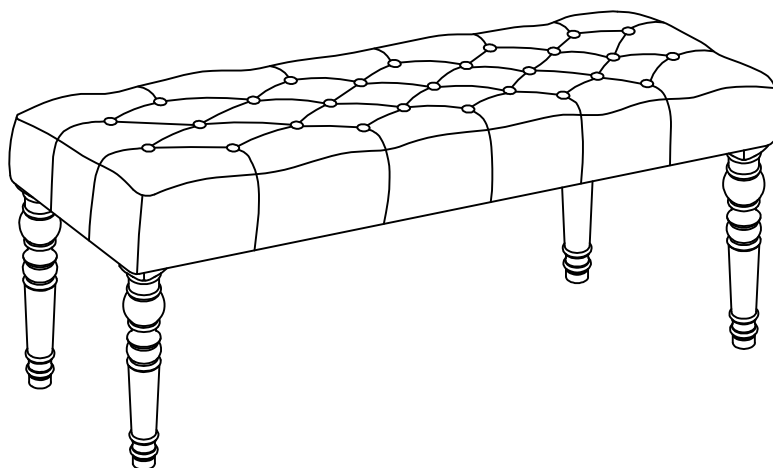
PARTS			
1		Seat Cushion	1 Pc
2		Leg	4 Pcs

HARDWARE LIST			
A		$\phi 5/16" \times 22 \times 2 \text{mm}$	8 Pcs
B		$\phi 5/16"$	8 Pcs
C		$\phi 5/16" \times 2-1/4"$	8 Pcs
D		$\phi 5 \text{ mm}$	1 Pc

## STEP 1



## STEP 2



Do not tighten screws until completely assembled