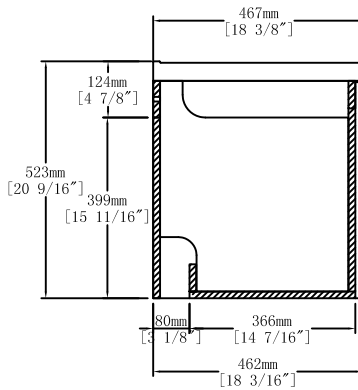
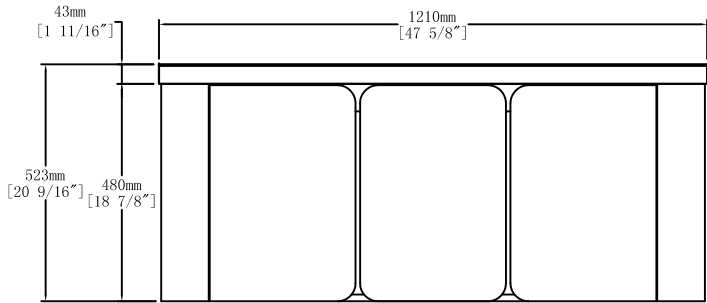
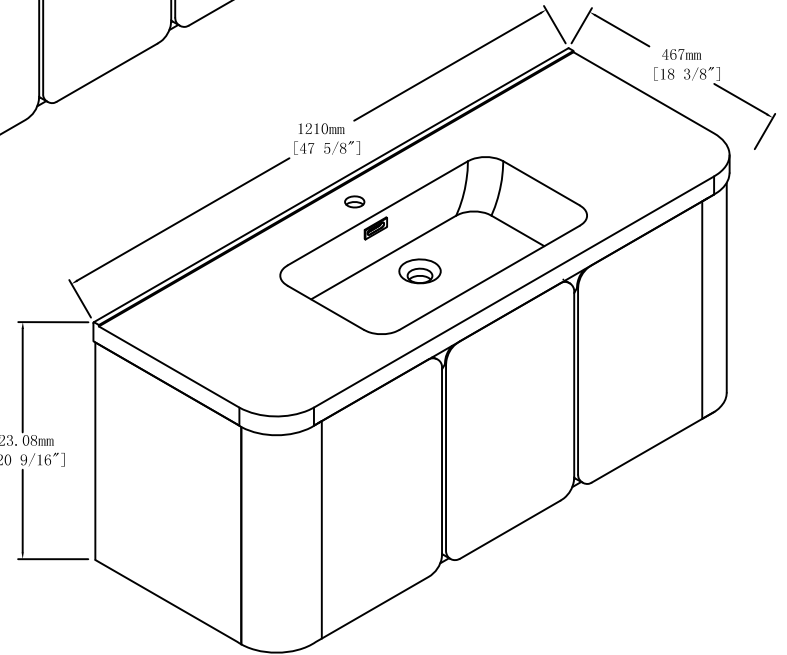
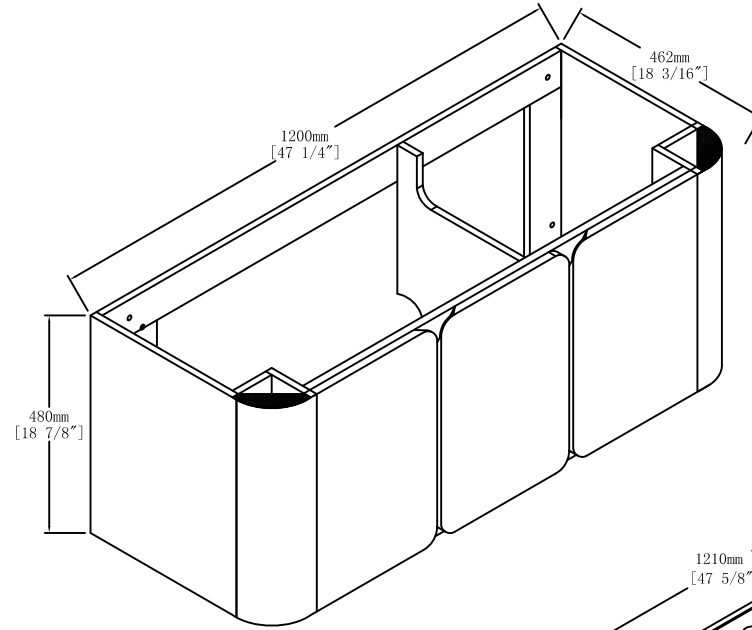


Top View



|   |          |           |         |            |
|---|----------|-----------|---------|------------|
|  | Item NO. | BV H12448 | Version | V1         |
|   | Project  |           | Date    | 2025-10-28 |