

## NOTICE

- \* Please make sure that you have all parts indicated and they are in good condition before you begin assembly of this item. Refer to part list and hardware list below for guidance.
- \* This item should be assembled on a soft surface to prevent scratching the finish during assembly.
- \* This item may require periodic tightening.
- \* If you are having difficulty, our friendly Customer Care team is always here to help.












## PREPARATION

- \* Before beginning assembly of product, make sure all parts are present. Compare parts with part contents list and hardware contents list.
- \* If any part is missing or damaged, do not attempt to assemble the product.
- \* Estimated Assembly Time: 60 minutes.
- \* Tools Required for Assembly : Phillips Screwdriver

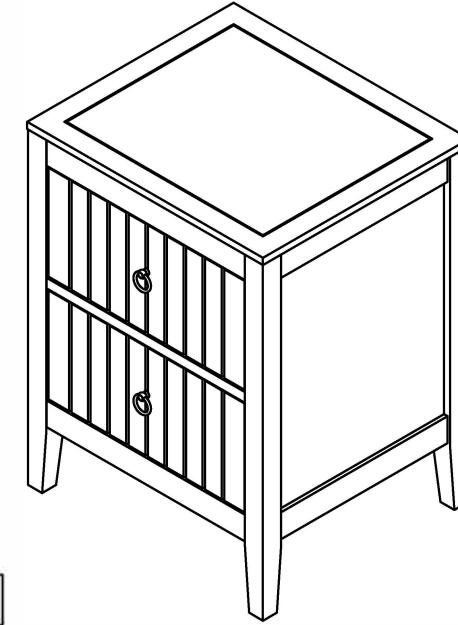
## CARE AND MAINTENANCE

Adhesive felt pads should always be applied to areas of furniture which make direct contact with flooring, said application will prevent damage to the furniture and or surfaces on which the furniture lies. Objects placed on articles of furniture should rest on non abrasive material as to prevent damage to the wood finish. Wipe up spills immediately and avoid common hazards such as hot dishes, harsh solvents and abrasives. Cleaning should be done with a soft lint free cotton cloth dampened with water or furniture polish.

## Part List and Hardware List

PIECE	DESCRIPTION	PICTURE	QUANTITY
A	TOP PANEL		1X
B	LEFT ASSEMBLY		1X
C	RIGHT ASSEMBLY		1X
D	FRAME 1		3X
E	FRAME 2		2X
F	BACK PANEL		1X
G	DRAWER FRONT		2X
H	DRAWER LEFT		2X
I	DRAWER RIGHT		2X
J	DRAWER BACK		2X
K	DRAWER BASE		2X










Product Dimensions: 18"W x 15.8"D x 24"H



**⚠ WARNING**

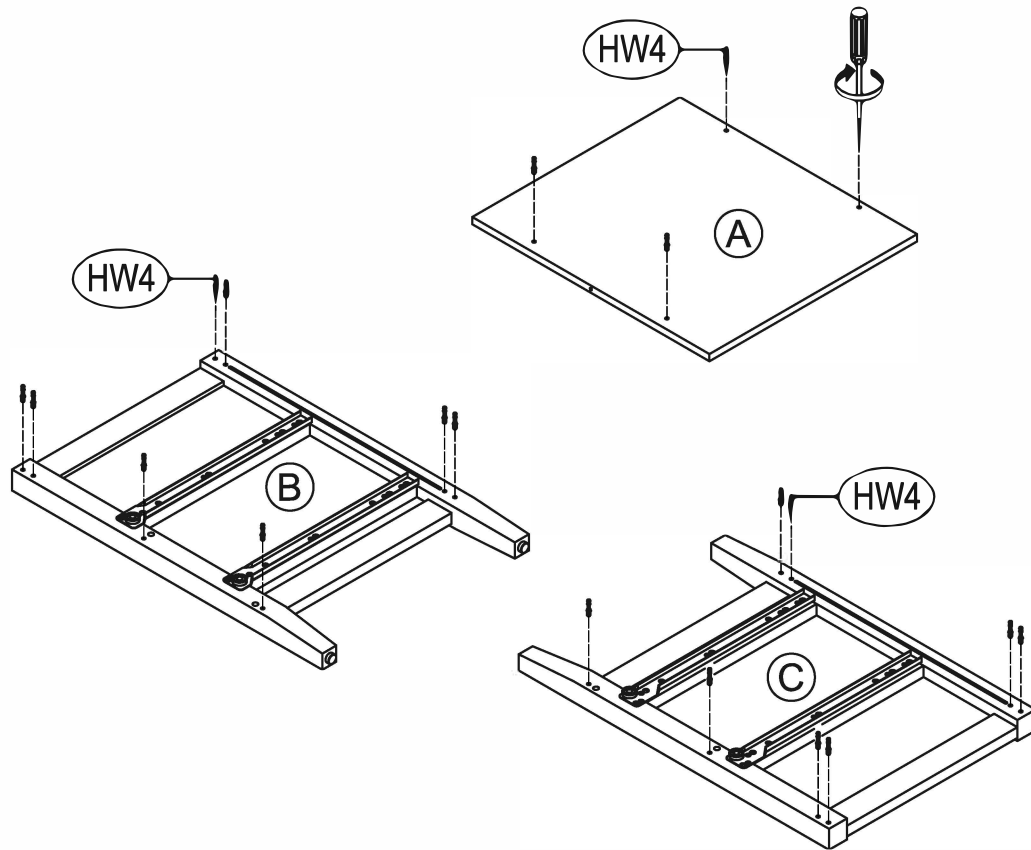
TOTAL WEIGHT CAPACITY: 32 LBS

Top Load Capacity: 22 lbs  
 Drawer Load Capacity: 10 lbs  
 Warning: Do not stand on night stand  
 Warning: Do not over torque bolts

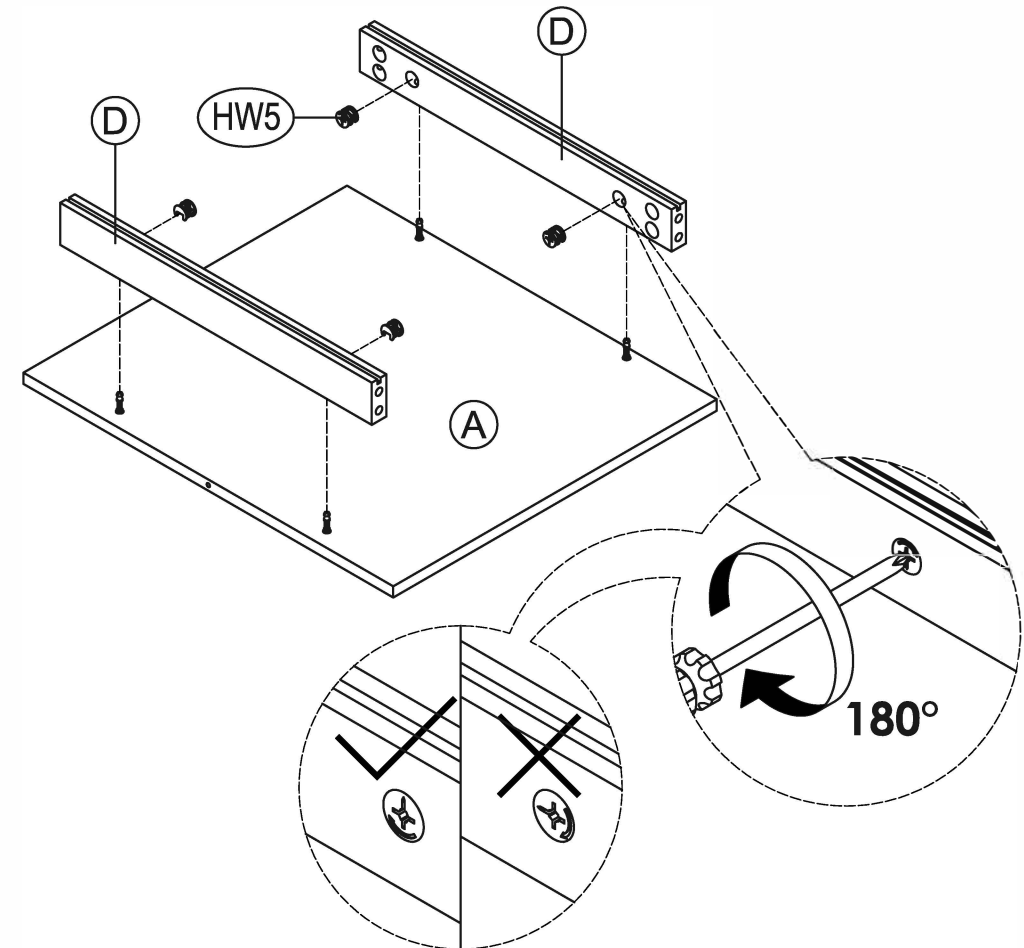
PIECE	DESCRIPTION	PICTURE	QUANTITY
HW1	FLAT HEAD SCREW 3 x 1 x 32 MM		16X
HW2	FLAT HEAD SCREW 3 x 1 x 19 MM		4X
HW3	FLAT HEAD SCREW 3 x 1 x 16 MM		6X
HW4	CAMBOLT		20X
HW5	CAMLOCK		20X
HW6	MACHINE SCREW 5 x 1 x 19 MM		2X
HW7	HANDLE		2X
HW8	DOWEL		4X
HW9	WEDGE		6X

## PREPARATION

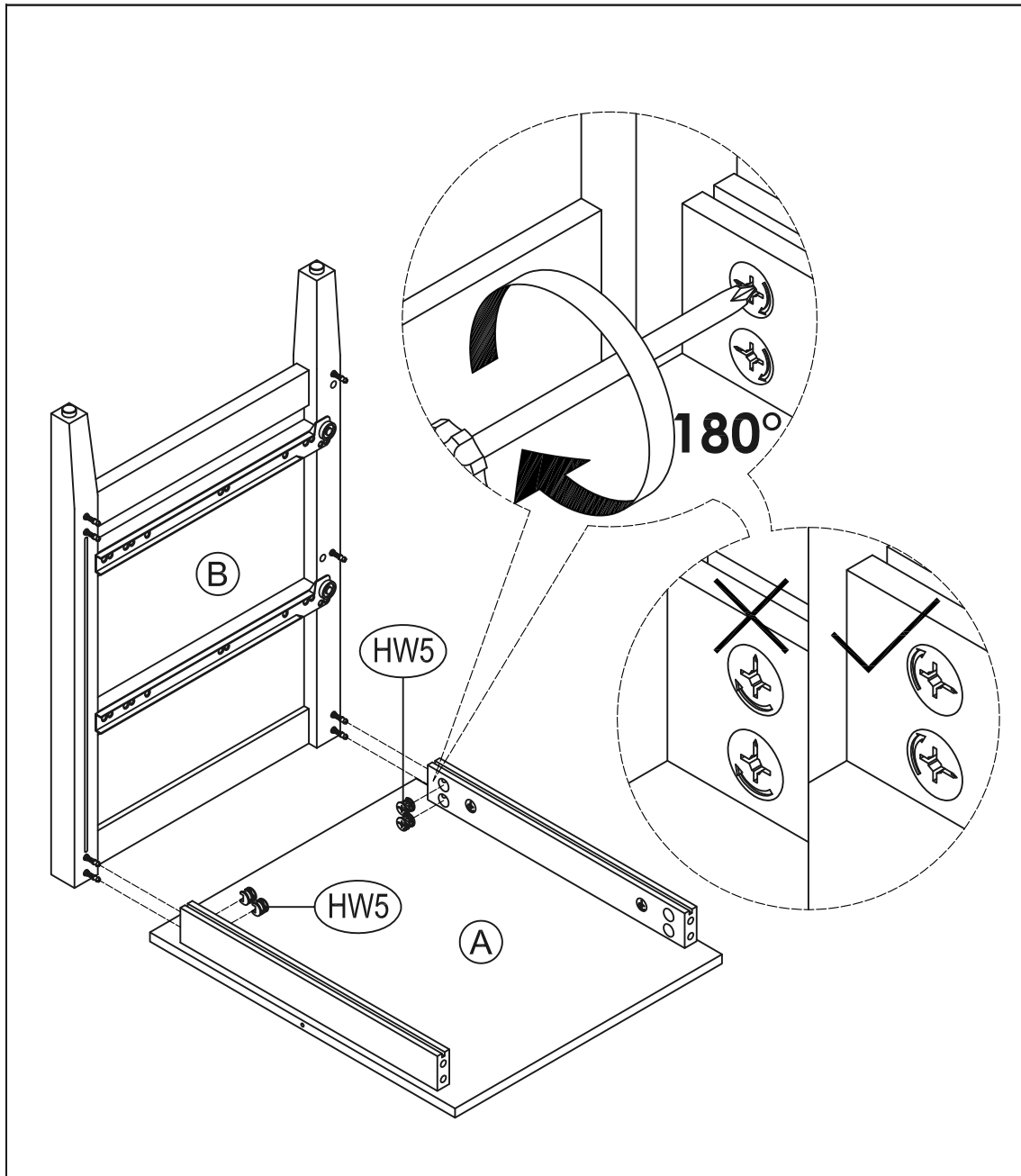
- \* Before beginning assembly of product, make sure all parts are present. Compare parts with package contents list and hardware contents list.
- \* If any part is missing or damaged, do not attempt to assemble the product.
- \* Estimated Assembly Time: 60 minutes.
- \* Tools Required for Assembly : Phillips Screwdriver
- \* If you are having difficulty, our friendly Customer Care team is always here to help.



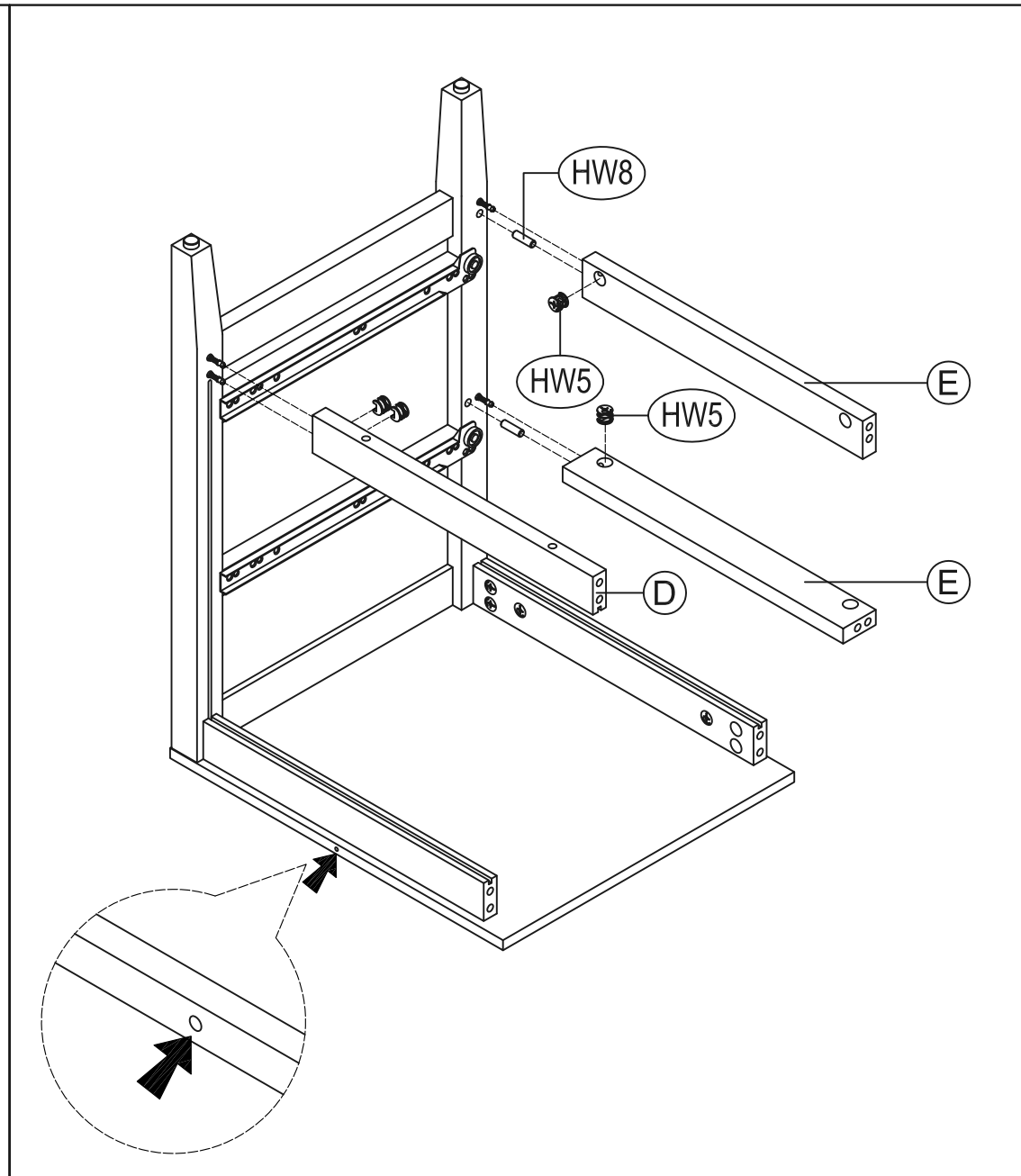
**STEP 1** ATTACH CAMBOLTS (HW4) TO TOP PANEL (A), LEFT ASSEMBLY (B) AND RIGHT ASSEMBLY (C).



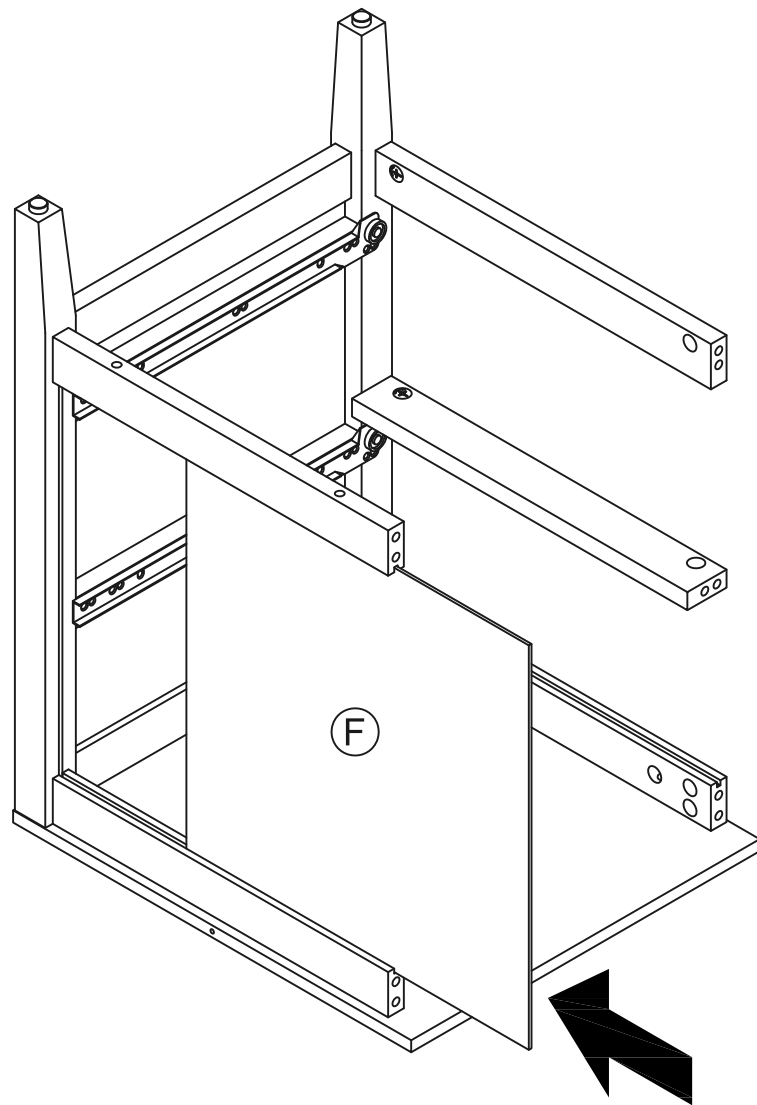
**STEP 2** ATTACH FRAMES (D) TO TOP PANEL (A) USING CAMLOCKS (HW5).



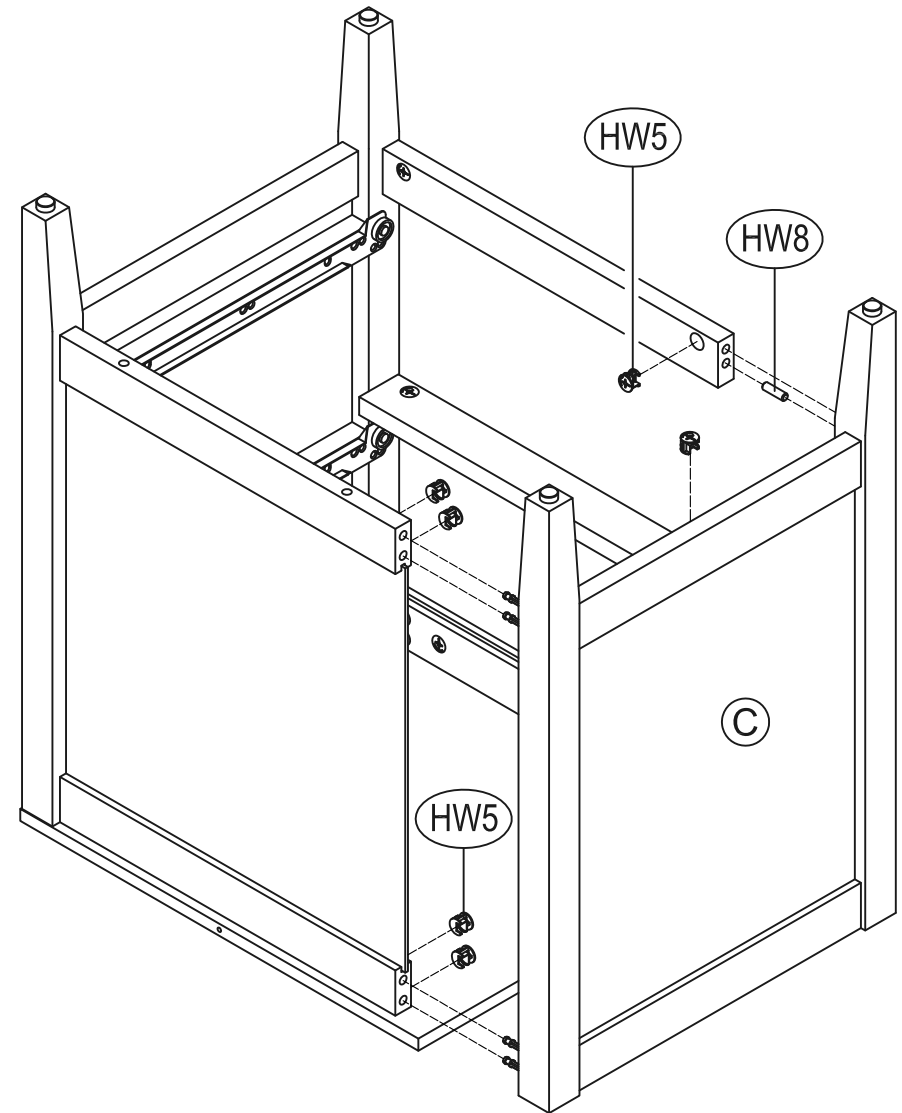
**STEP 3** ATTACH LEFT ASSEMBLY (B) TO UNIT USING CAMLOCKS (HW5).



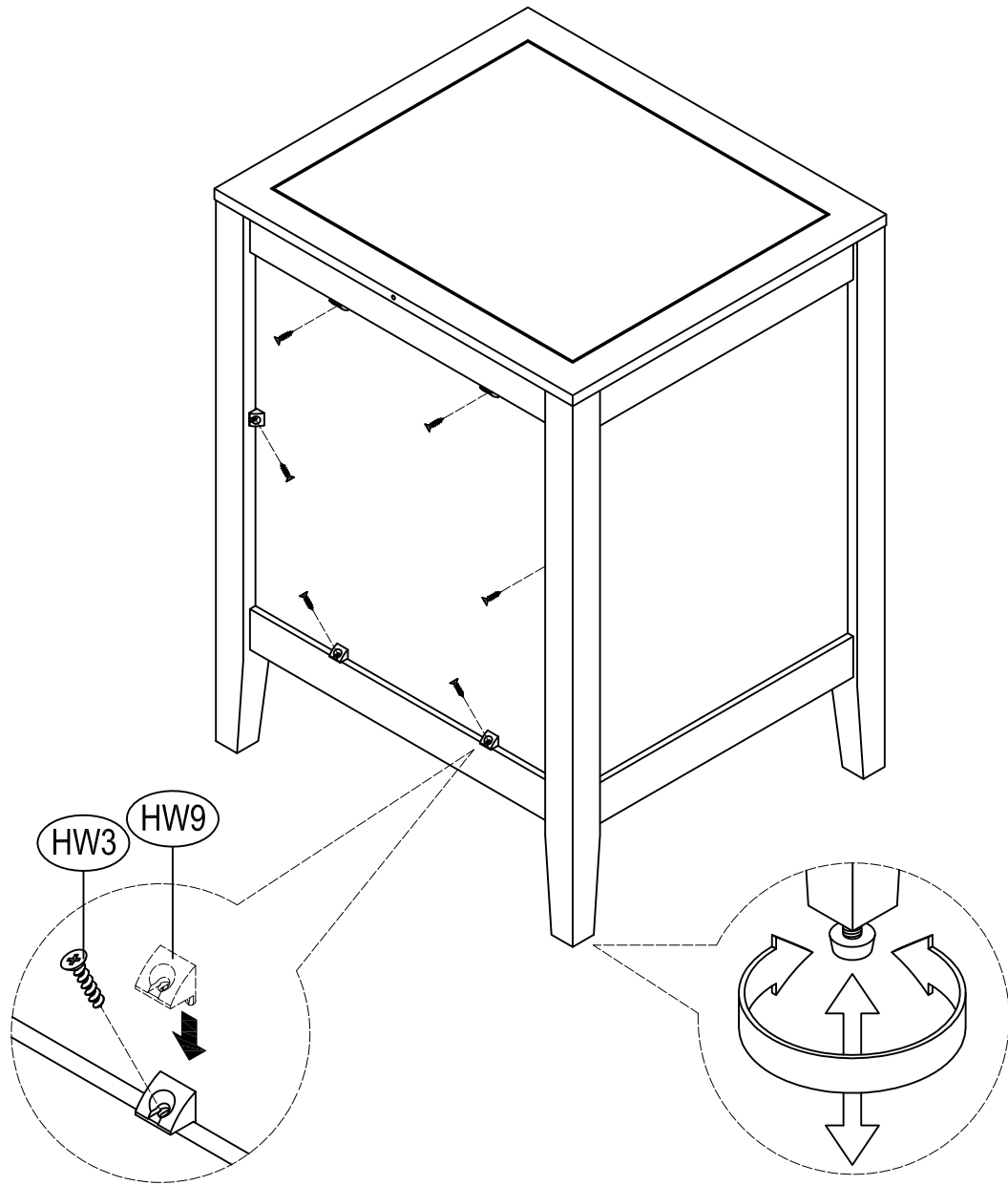
**STEP 4** ATTACH FRAME 1 (D) AND FRAMES 2 (E) TO UNIT USING CAMLOCKS (HW5) AND DOWELS (HW8).



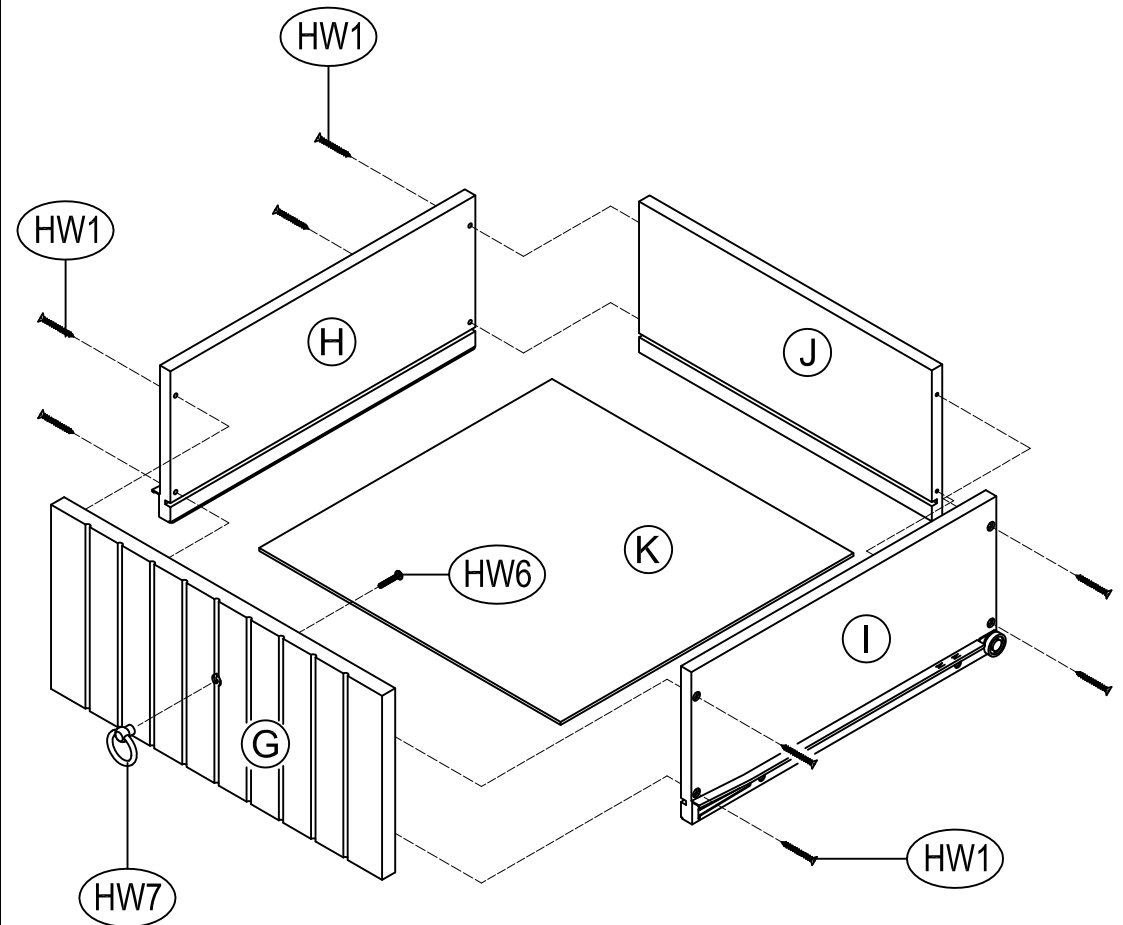
**STEP 5** SLIDE BACK PANEL (F) INTO THE GROOVE OF UNIT.



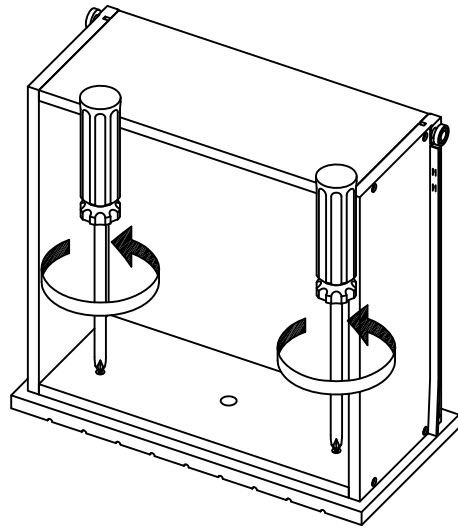
**STEP 6** ATTACH RIGHT ASSEMBLY (C) TO UNIT USING CAMLOCKS (HW5) AND DOWELS (HW8).



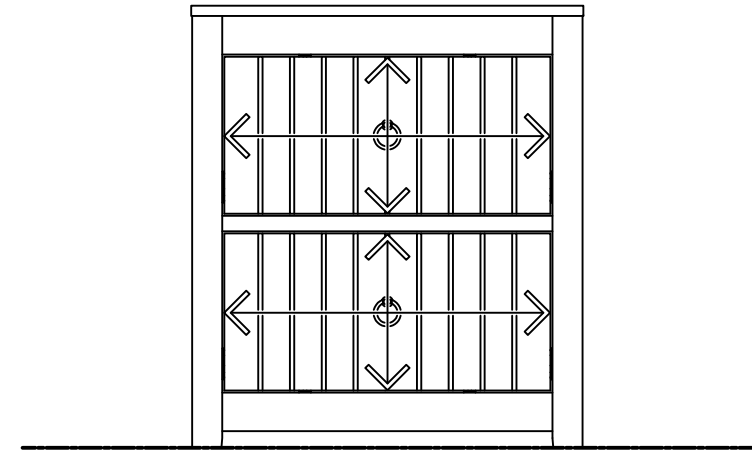
**STEP 7** ATTACH WEDGES (HW9) TO UNIT USING FLAT HEAD SCREWS 16 MM (HW3). ADJUST THE ADJUSTER THAT HAS ALREADY BEEN ASSEMBLED TO THE LEGS TO STABILIZE YOUR UNIT.



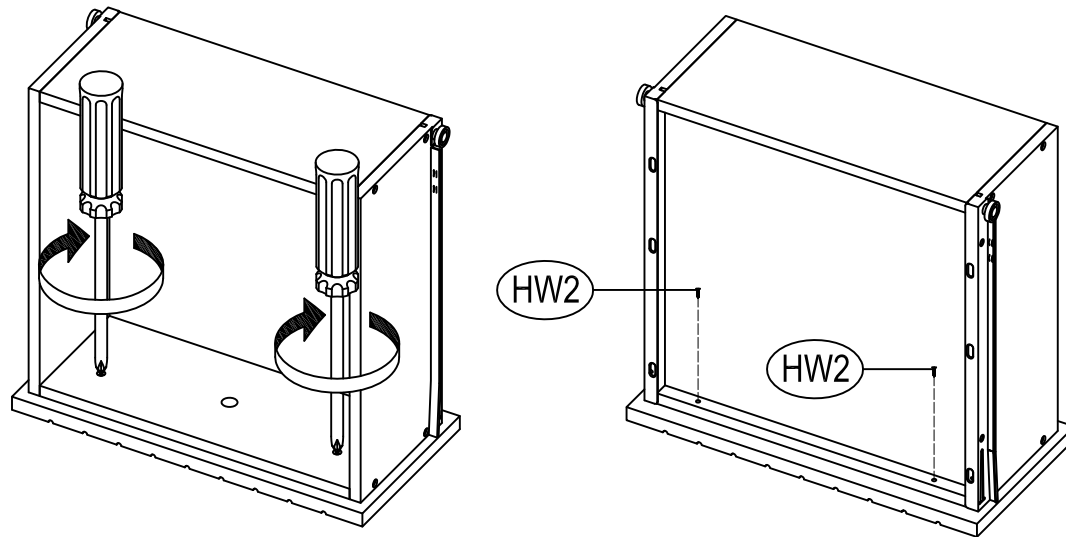
**STEP 8** ATTACH HANDLE (HW7) TO DRAWER FRONT (G) USING MACHINE SCREWS (HW6). ATTACH DRAWER LEFT (H) AND DRAWER RIGHT (I) TO DRAWER BACK (J) USING FLAT HEAD SCREWS 32 MM (HW1). SLIDE DRAWER BASE (K) INTO THE GROOVE. ATTACH DRAWER FRONT (G) TO DRAWER LEFT (H) AND DRAWER RIGHT (I) USING FLAT HEAD SCREWS 32 MM (HW1).



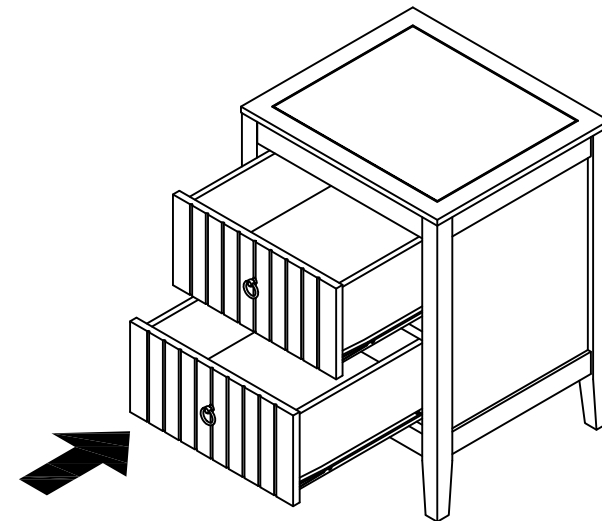
**STEP 9** LOOSEN SLIGHTLY THE SCREWS PRE-INSTALLED ON THE BACK OF THE DRAWER FRONTS.



**STEP 10** INSERT THE DRAWER INTO THE UNIT, THEN ADJUST THE DRAWER FRONT PANEL LEFT OR RIGHT AND UP OR DOWN UNTIL THE DRAWER GAPS LOOK PROPORTIONAL.



**STEP 11** PULL THE DRAWER OPEN SLOWLY AND RE-TIGHTEN THE SCREWS FROM STEP 9. MAKE SURE THE FRONT PANEL DOES NOT MOVE AND LOCK THE DRAWER FRONT PANEL INTO POSITION WITH FLAT HEAD SCREWS 19 MM (HW2).



**STEP 12** SLIDE THE DRAWERS INTO UNIT.