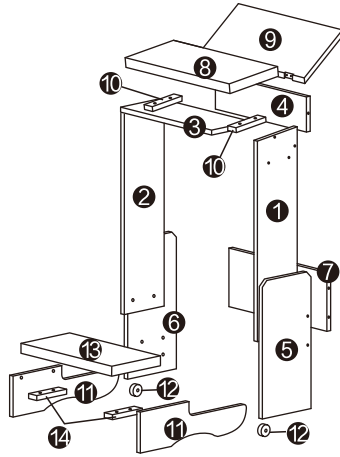
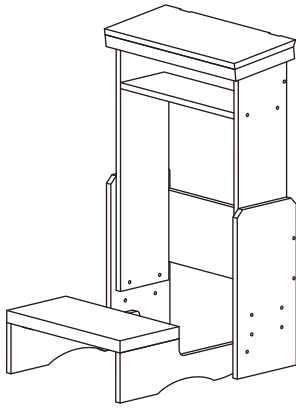


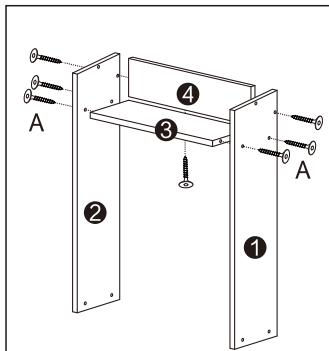
## Product Parts List



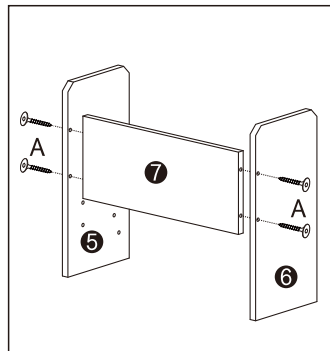
A	x26	
B	x4	
C	x2	
D	x8	
E	x2	
F	x1	

## Installation Guide

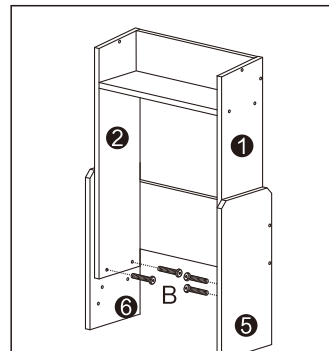
Align with the pre-drilled screw holes and fasten in order as shown in the diagram



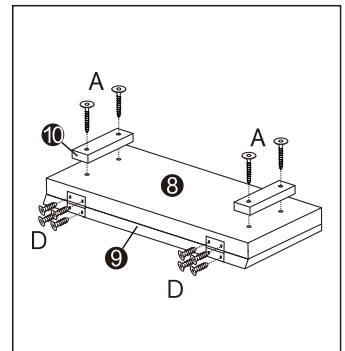
Step 1: Connect 1/2/3/4 with A



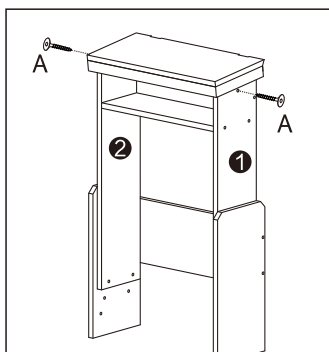
Step 2: Connect 5/6/7 with A



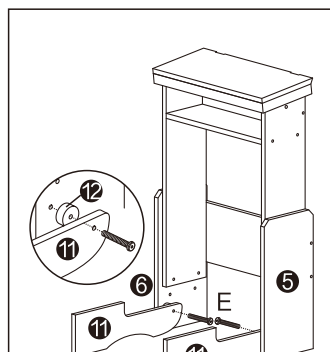
Step 3: Connect 2/6 with A, and connect 1/5  
TIPS: There are three rows of screws here, suitable for different height selections. Simply fix it to one of the rows



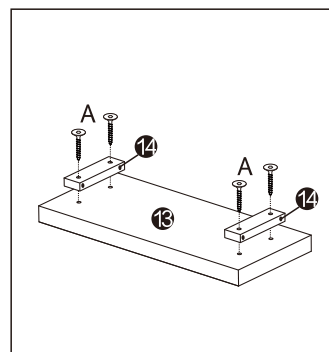
Step 4: Connect 8/10 with A, and connect 8/9 through C with D



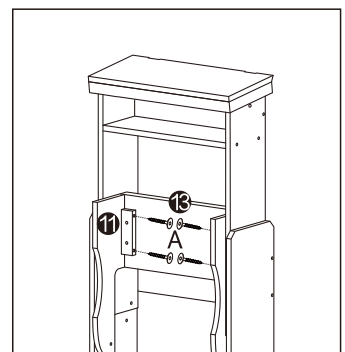
Step 5: Connect the assembled Step 4 to 1/2 using A



Step 6: Connect 11/12 to 5/6 using E



Step 7: Connect 13/14 with A



Step 8: Connect the assembled steps 7 and 11 with A

## Caution & Safety Tips

**Prayer Bench Care Tips**  
Keep your prayer bench in great condition by wiping it with a soft dry cloth and avoiding harsh cleaners or excess moisture. Place it away from direct sunlight to prevent fading, and occasionally tighten screws for stability.

For any product related inquiries please don't hesitate to reach out to us at: [jiamismty@163.com](mailto:jiamismty@163.com)