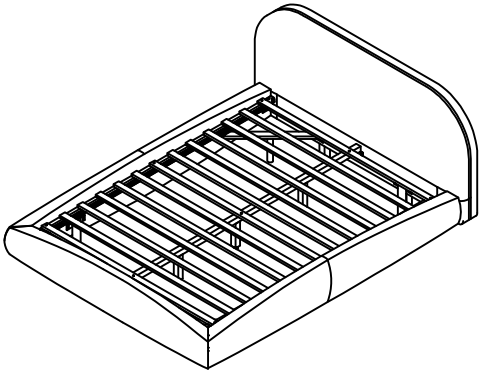


# ASSEMBLY INSTRUCTIONS

## GENESIS - QUEEN

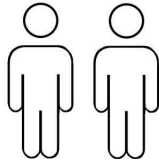
meridian.  
furniture



### + Do Not Use Power Tools



### + Suggested Adults



**NOTE:** For questions about parts or assembly please email [support@meridianfurnitureusa.com](mailto:support@meridianfurnitureusa.com) or call us at 718-758-4455.

- 1 Read instructions cover to cover.
- 2 Save all packaging until assembly is completed.

### 1 IMPORTANT SAFETY INFORMATION

Do not assemble the product if any of the following parts arrived damage:

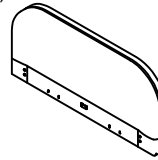
- Part 3 - Side Rails
- Part 4 - Center Support Bar
- Part 5 - Support Legs
- Part 6 - Slats

### 2 IMPORTANT ASSEMBLY INFORMATION

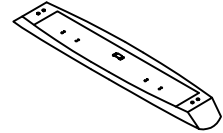
**Assembly Step** Ensure the side rail bracket is fully hooked onto bolt loosely threaded with both washers on the OUTSIDE of the bracket first, then proceed to fully tightening all 4 corners.

### + Parts Included

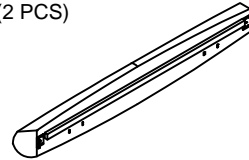
① HEADBOARD  
(1 PC)



② FOOTBOARD  
(1 PC)



③ SIDE RAILS  
(2 PCS)



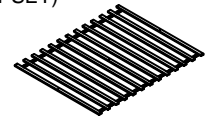
④ CENTER SUPPORT BAR  
(1 PC)



⑤ SUPPORT LEGS  
(3 PCS)



⑥ SLATS  
(1 SET)



⑦ BED LEG  
(4 PCS)



⑧ HB SUPPORT LEG  
(2 PCS)



### + Hardware Included

A M8 x 30mm  
(32 PCS)



B M8  
(32 PCS)



C M8  
(32 PCS)



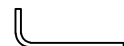
D M4 x 38mm  
(9 PCS)



E M4 x 20mm  
(2 PCS)



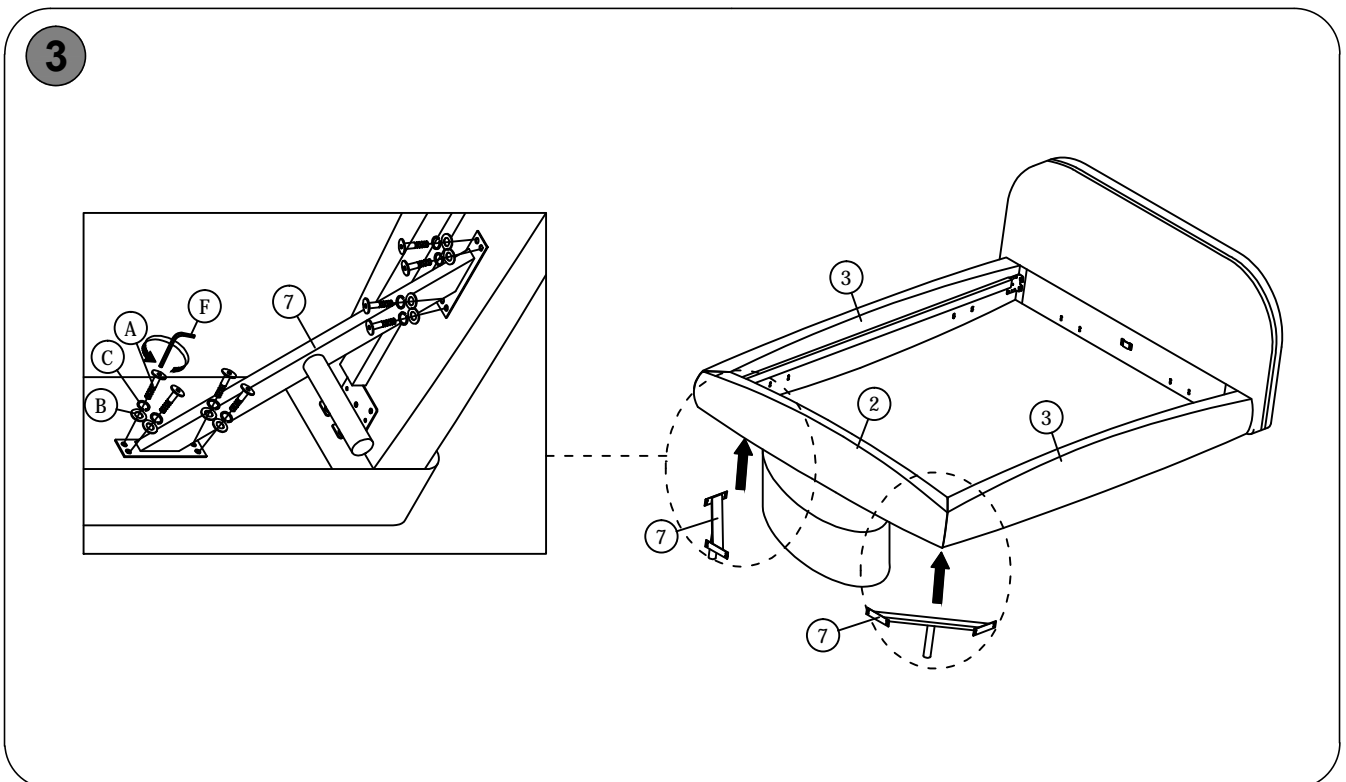
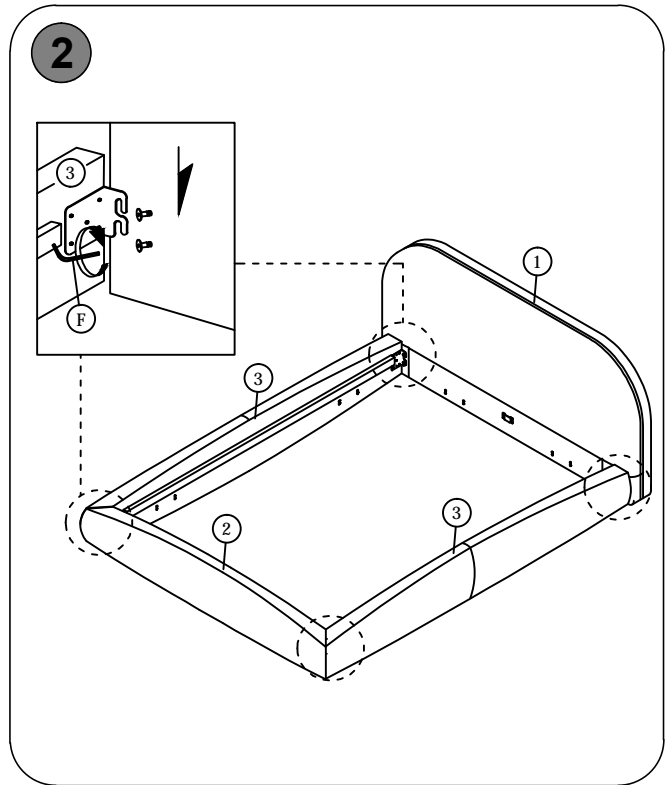
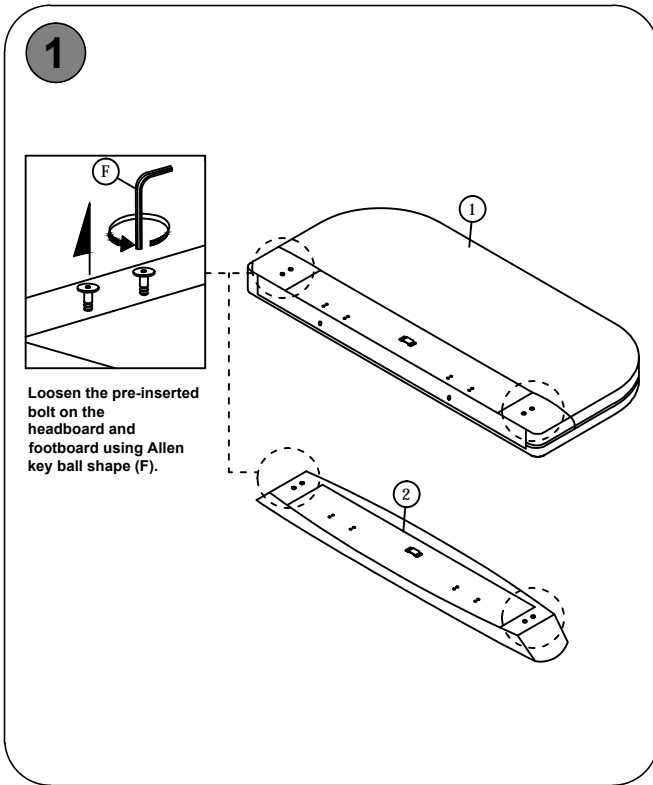
F M5  
(1 PC)



# ASSEMBLY INSTRUCTIONS

## GENESIS - QUEEN

meridian.  
furniture



**NOTE:** For questions about parts or assembly please email [support@meridianfurnitureusa.com](mailto:support@meridianfurnitureusa.com) or call us at 718-758-4455.

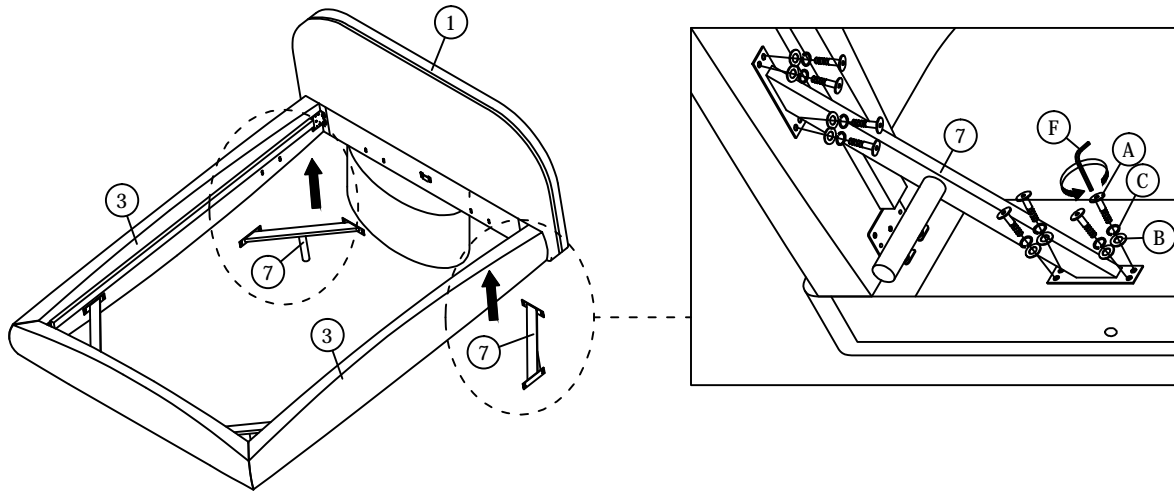
[www.MeridianFurnitureUSA.com](http://www.MeridianFurnitureUSA.com) | [support@meridianfurnitureusa.com](mailto:support@meridianfurnitureusa.com)

# ASSEMBLY INSTRUCTIONS

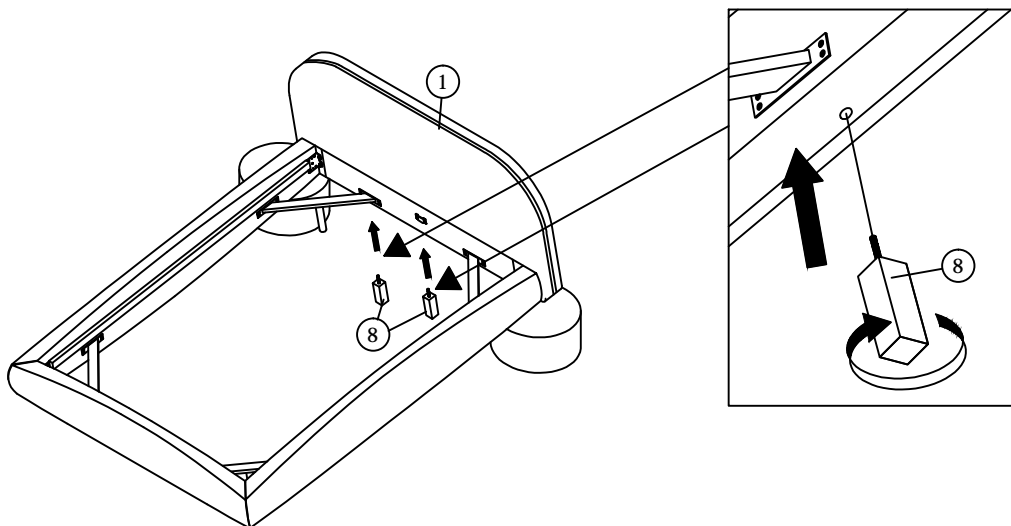
## GENESIS - QUEEN

meridian.  
furniture

4



5



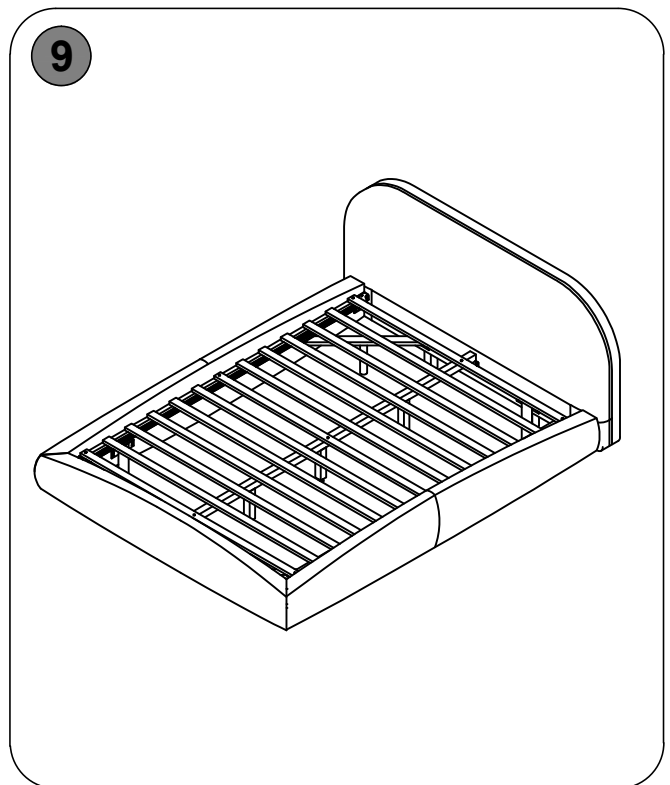
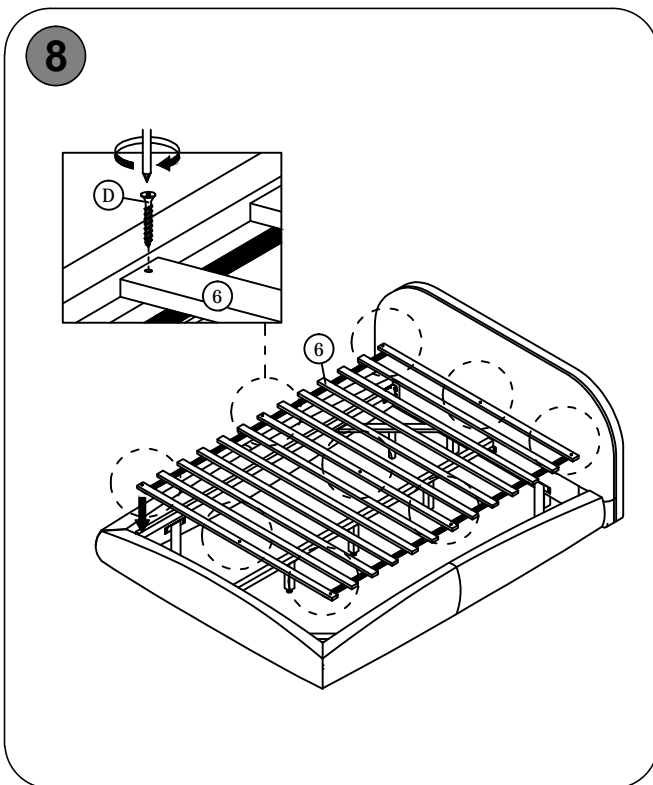
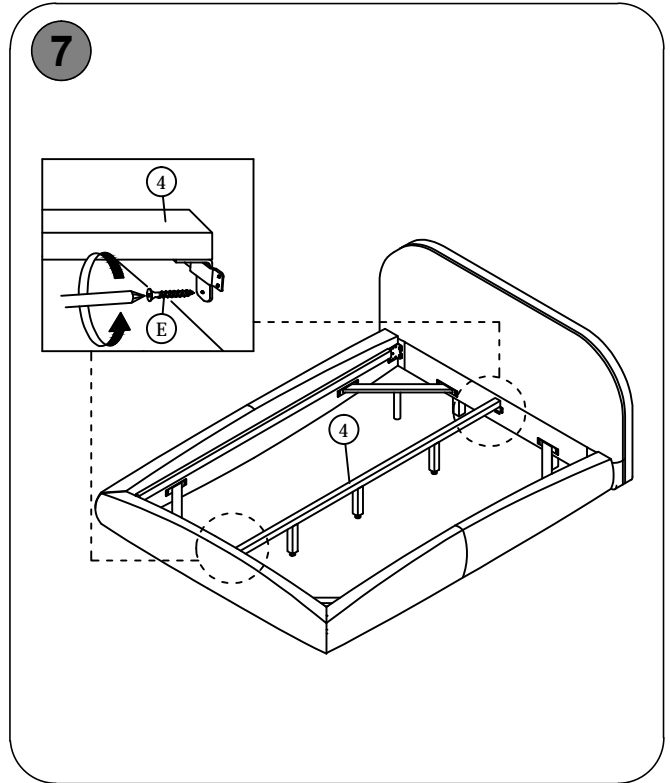
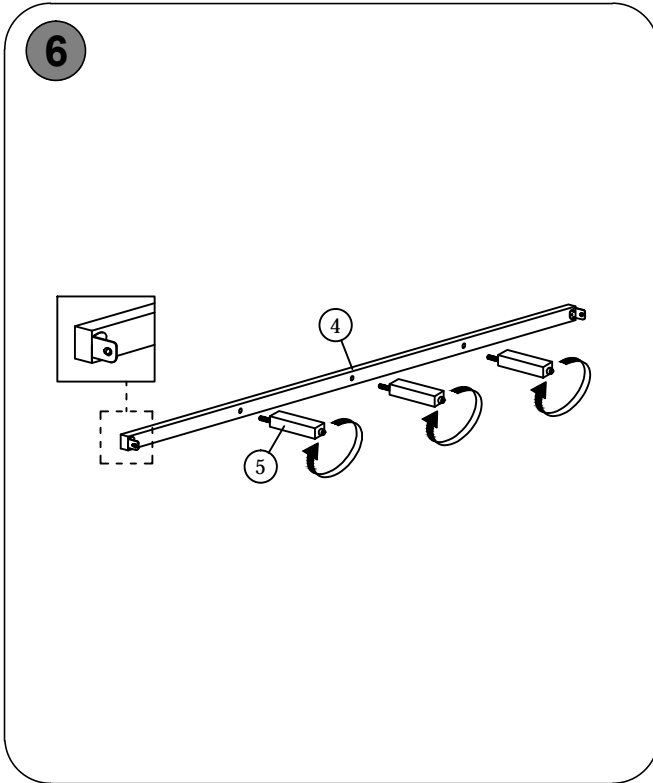
**NOTE:** For questions about parts or assembly please email [support@meridianfurnitureusa.com](mailto:support@meridianfurnitureusa.com) or call us at 718-758-4455.

[www.MeridianFurnitureUSA.com](http://www.MeridianFurnitureUSA.com) | [support@meridianfurnitureusa.com](mailto:support@meridianfurnitureusa.com)

# ASSEMBLY INSTRUCTIONS

## GENESIS - QUEEN

meridian.  
furniture



**NOTE:** For questions about parts or assembly please email [support@meridianfurnitureusa.com](mailto:support@meridianfurnitureusa.com) or call us at 718-758-4455.

[www.MeridianFurnitureUSA.com](http://www.MeridianFurnitureUSA.com) | [support@meridianfurnitureusa.com](mailto:support@meridianfurnitureusa.com)