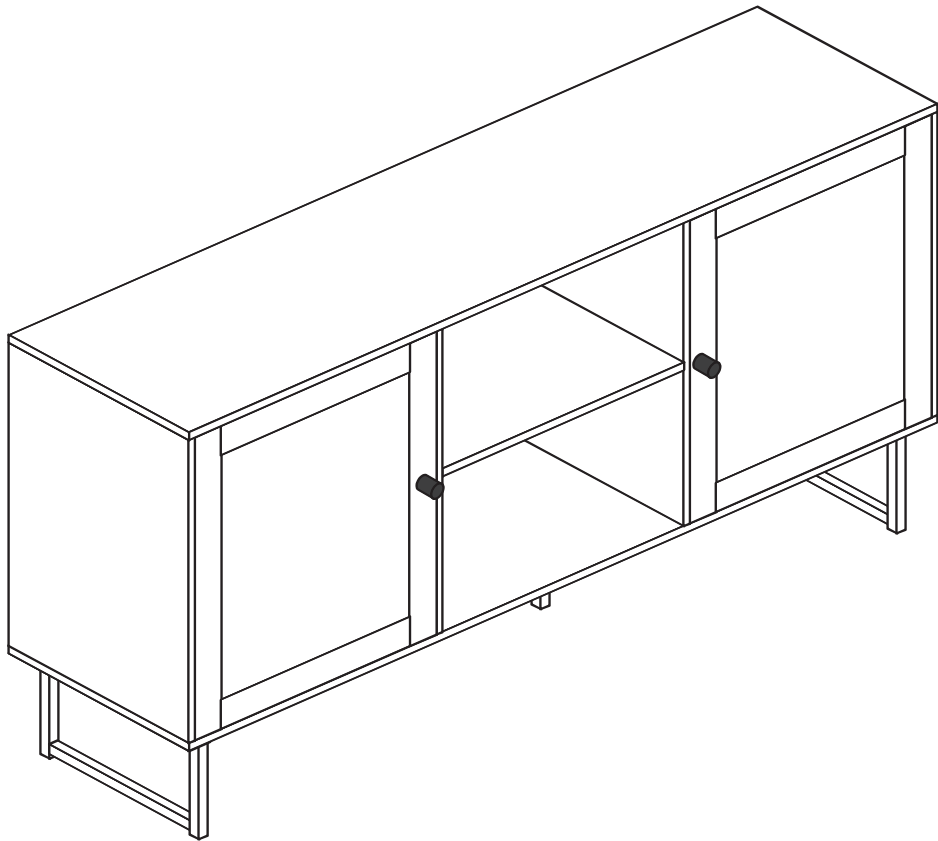


45 MINUTE
45
ASSEMBLY



What's included

| Description | Qty |
|---------------------------|-----|
| A Top Panel | 1 |
| B Bottom Panel | 1 |
| C Left Side Panel | 1 |
| D Right Side Panel | 1 |
| E Left Middle Side Panel | 1 |
| F Right Middle Side Panel | 1 |
| G Right Side Back Panel | 1 |
| H Middle Shelf | 1 |
| I Side Shelf | 2 |
| J Left Door | 1 |
| K Right Door | 1 |
| L Back Stretcher | 1 |
| M Side Metal Frame | 2 |
| N Middle Back Panel | 1 |
| O Left Side Back Panel | 1 |

Estimated time for assembly



45:00

What you need

- Some of your favourite bubbly or your preferred relaxant
- Use the packaging carton as a working surface to prevent product damage during assembly
- Phillips-head screwdriver

Do not use a drill



Weight Limitation



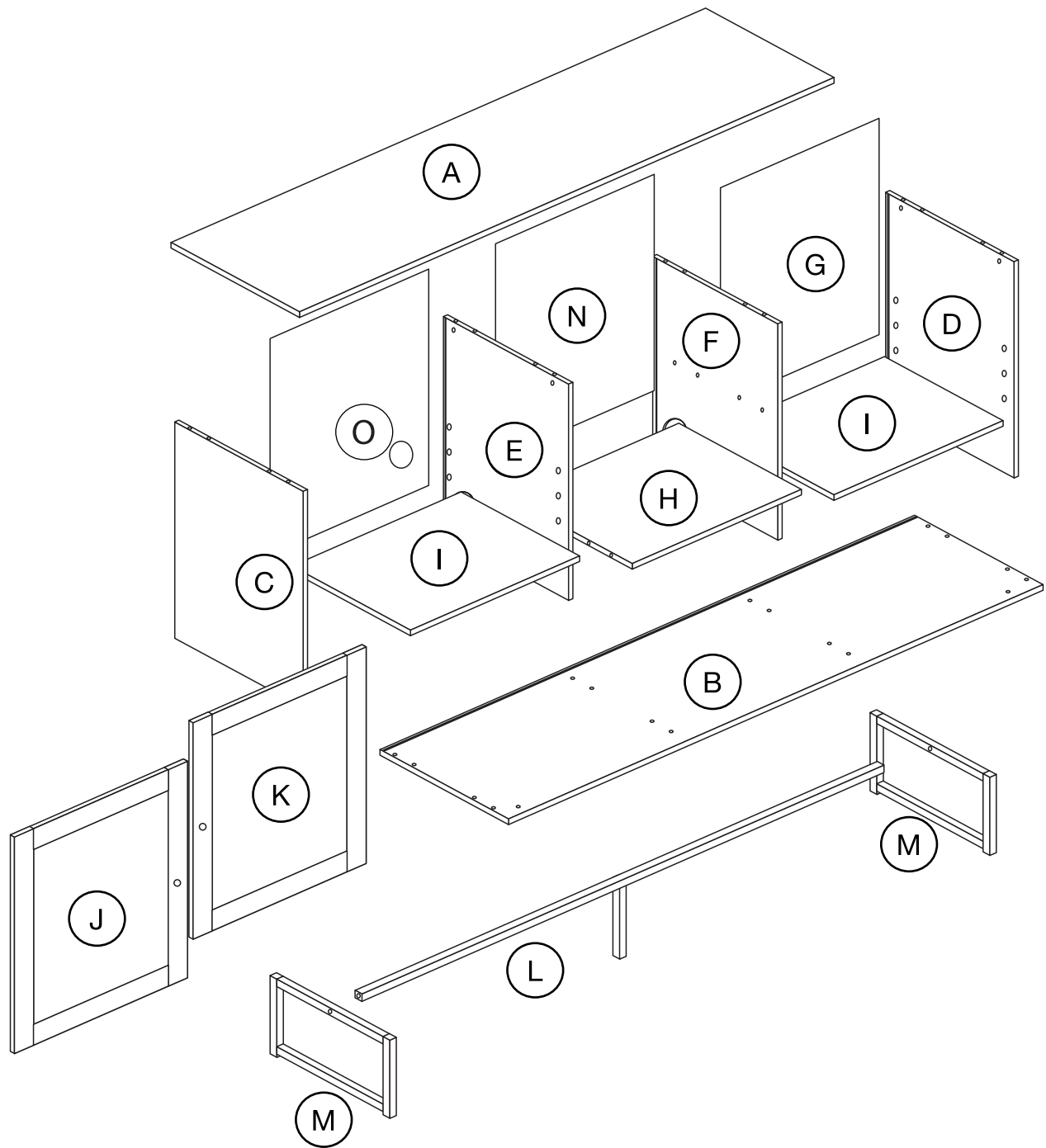
300 lbs (max. capacity)



100 lbs
top of cabinet

33 bs
per adjustable shelf
(x3)

The goods



IMPORTANT

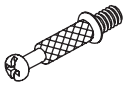
1. Do not tighten bolts / screws completely until all bolts / screws are lined up and inserted into holes.
2. Do not over tighten screws and bolts to avoid stripping.
3. Please use hand tools to assemble this product. Do not use power tools.

What's included

| | Description | Qty |
|----|----------------------|-----|
| 1 | M6*35mm Cam Bolt | 12 |
| 2 | 15*10mm Cam Lock | 12 |
| 3 | M6*30mm Wooden Dowel | 20 |
| 4 | M4*35mm Screw | 8 |
| 5 | Magnetic Door Catch | 2 |
| 6 | Metal Hinge | 4 |
| 7 | Metal Pin | 8 |
| 8 | M4*14mm Screw | 12 |
| 9 | M6*28mm Bolt | 8 |
| 10 | Handle | 2 |
| 11 | M3*12mm Screw | 2 |
| 12 | M4*16mm Bolt | 2 |
| 13 | Allen Key | 1 |

The goods

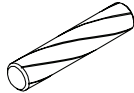
1



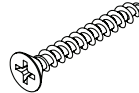
2



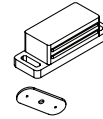
3



4



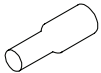
5



6



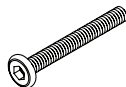
7



8



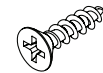
9



10



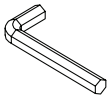
11



12



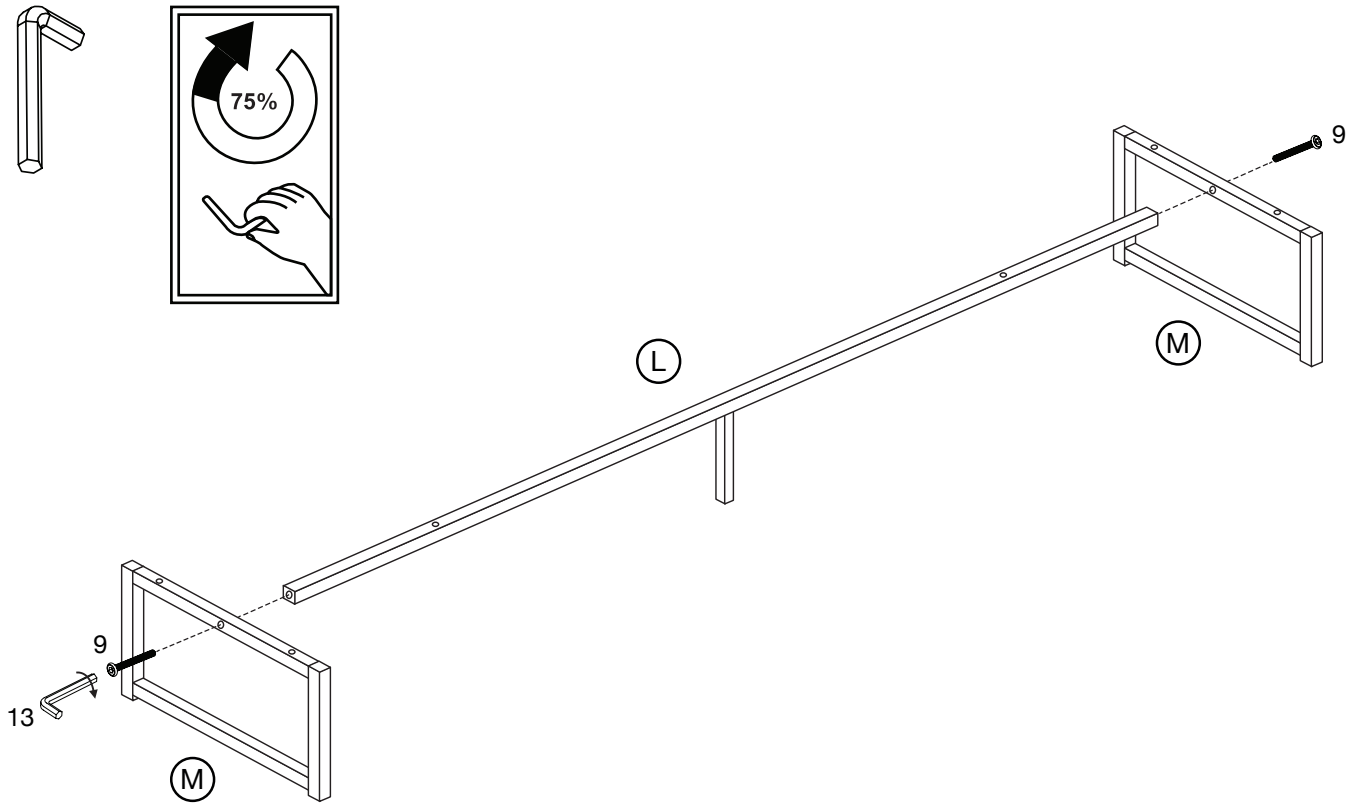
13



Step 1

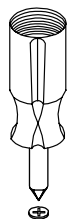
Let's get this thing fired up!

Start by screwing on the Back Stretcher (L) to the Side Metal Frames (M) using the M6*28mm Bolts (9). Tighten to 75% using the Allen Key (13).

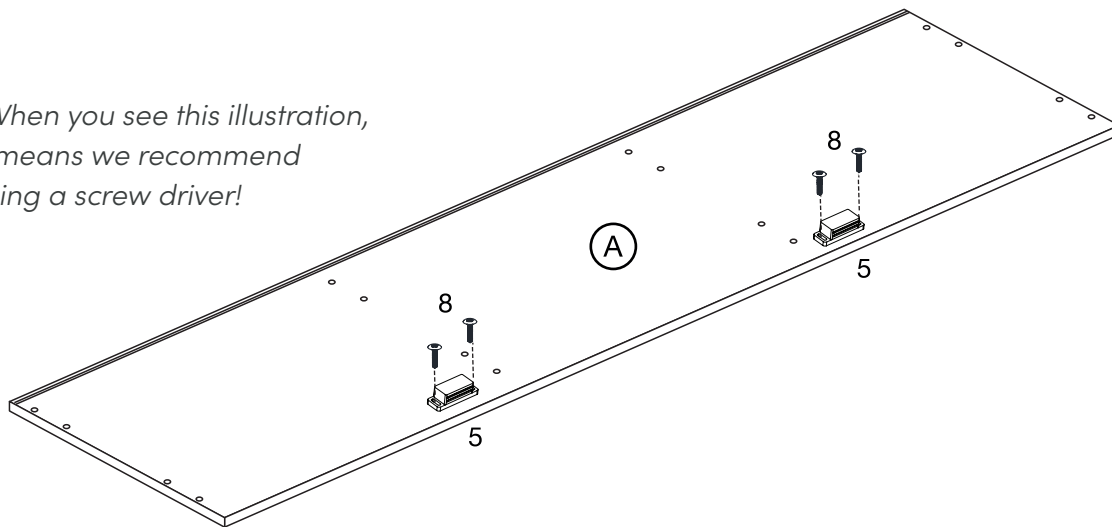


Step 2

Buckle up, this is where things get tricky...JK, simply screw on the Magnetic Door Catches (5) to the Top Panel (A) using the M4*14mm Screws (8) with a Phillips head screw driver.

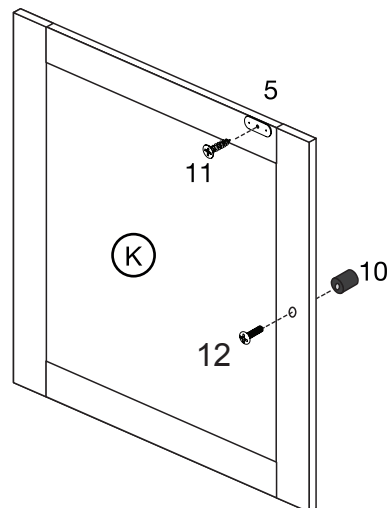
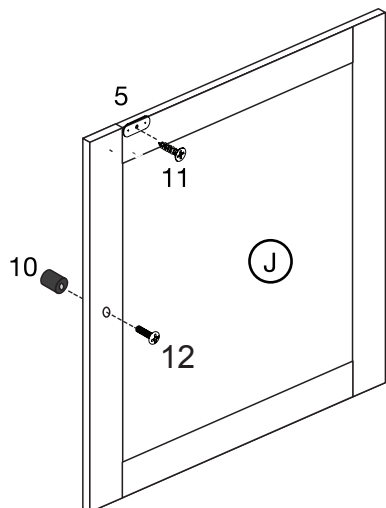
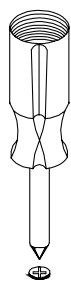


**When you see this illustration, it means we recommend using a screw driver!*



Step 3

Attach the other half of the Magnetic Door Catches (5) and Handles (10) on both sets of doors. Attach using the M3*12mm Screws (11) for the Magnetic Door Catches (5) and the M4*16mm Bolts (12) for the Handles (10).



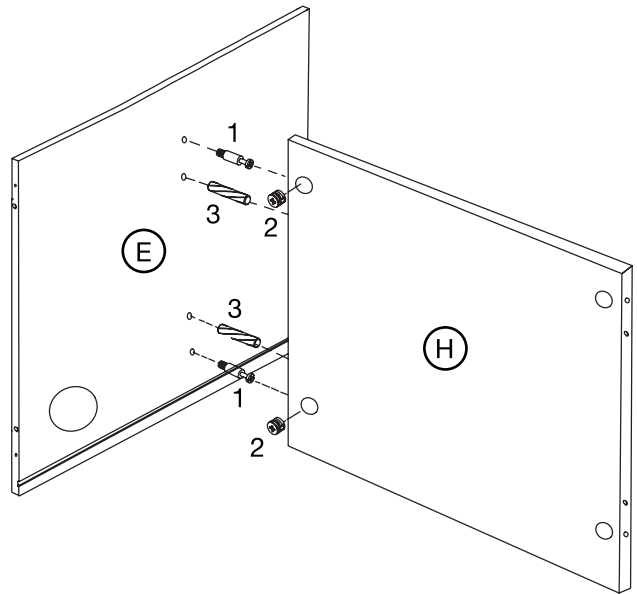
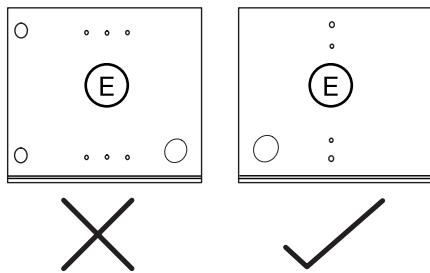
Step 4

How much wood could a woodchuck chuck?...I apologize, please insert M6*30mm Wooden Dowels (3) and the M6*35mm Cam Bolts (1) into Left Middle Side Panel (E).

Attach the Left Middle Side Panel (E) to the Middle Shelf (H) by aligning the Wooden Dowels (3) and Cam Bolts (1) with the holes in the side of the Middle Shelf (H). Lock the Cam Bolts (1) in place using the 15*10mm Cam Locks (2).

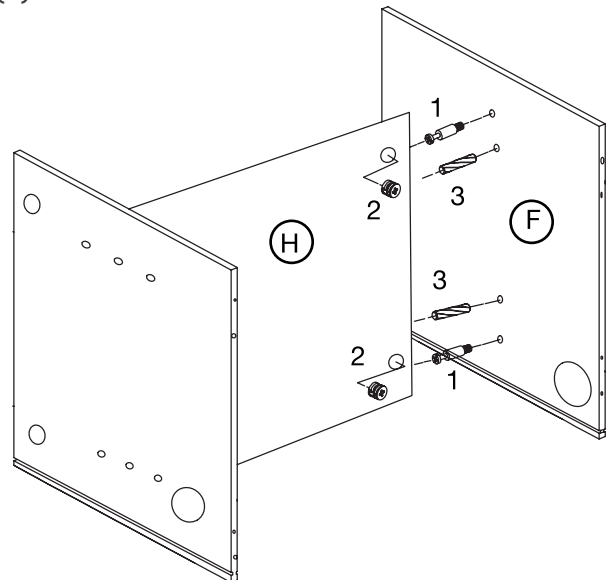
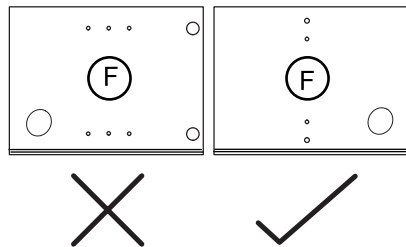
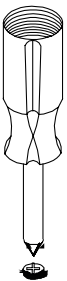


See the following page for a quick guide on cam locks!



Step 5

Repeat this process with the Right Middle Side Panel (F).



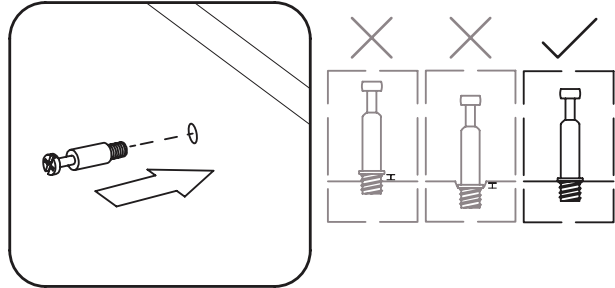
How to use cam locks

Did you know?

Cam locks are used to join two panels together, usually the edge of one to the flat side of another.

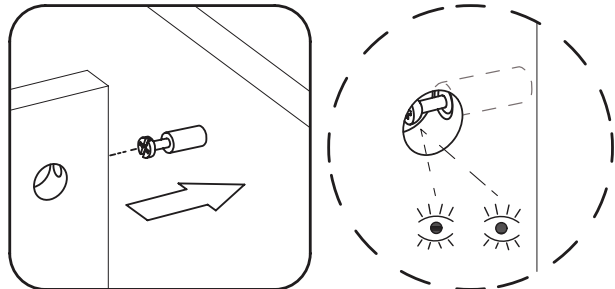
First, your cam bolt (or cam pin) will need to be properly inserted into the flat side of the board.

Important Note: Only tighten the cam bolt until it is secure. Do not over-tighten.



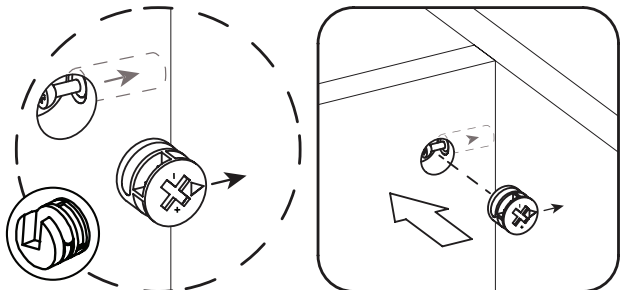
Next, you will fit the proper hole on the edge of the associated joining panel over the cam bolt.

Important Note: When installed properly, the head of the cam bolt will be visible through the larger hole on the side of the joining panel.



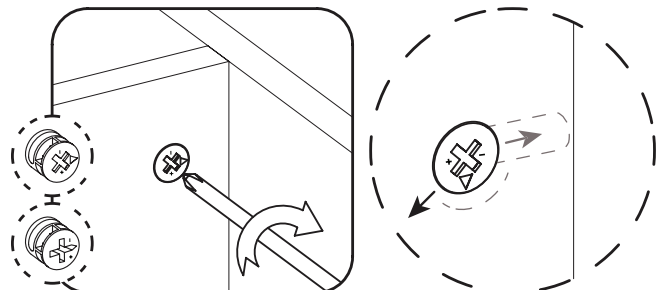
Next, you will notice the cam lock has a "C" shaped back. Commonly, an arrow on the front of the cam lock points in the same direction as the open section on back.

Using these as your cue, insert the cam lock into the large hole so the opening of the "C" fits over the head of the cam bolt.



Using a screwdriver, you will turn the cam lock until it stops, usually between 130° or 180°. You will feel the panels pulling closer until they are secured.

Important Note: Only turn the cam lock until the panels are fully engaged & feel secure. Turning too far may lead to hardware failure.



Still having issues?

If a cam lock seems to be spinning in place or is not "catching" or pulling the panels together as expected, first remove the cam lock & try again while making sure that everything is properly positioned & oriented.

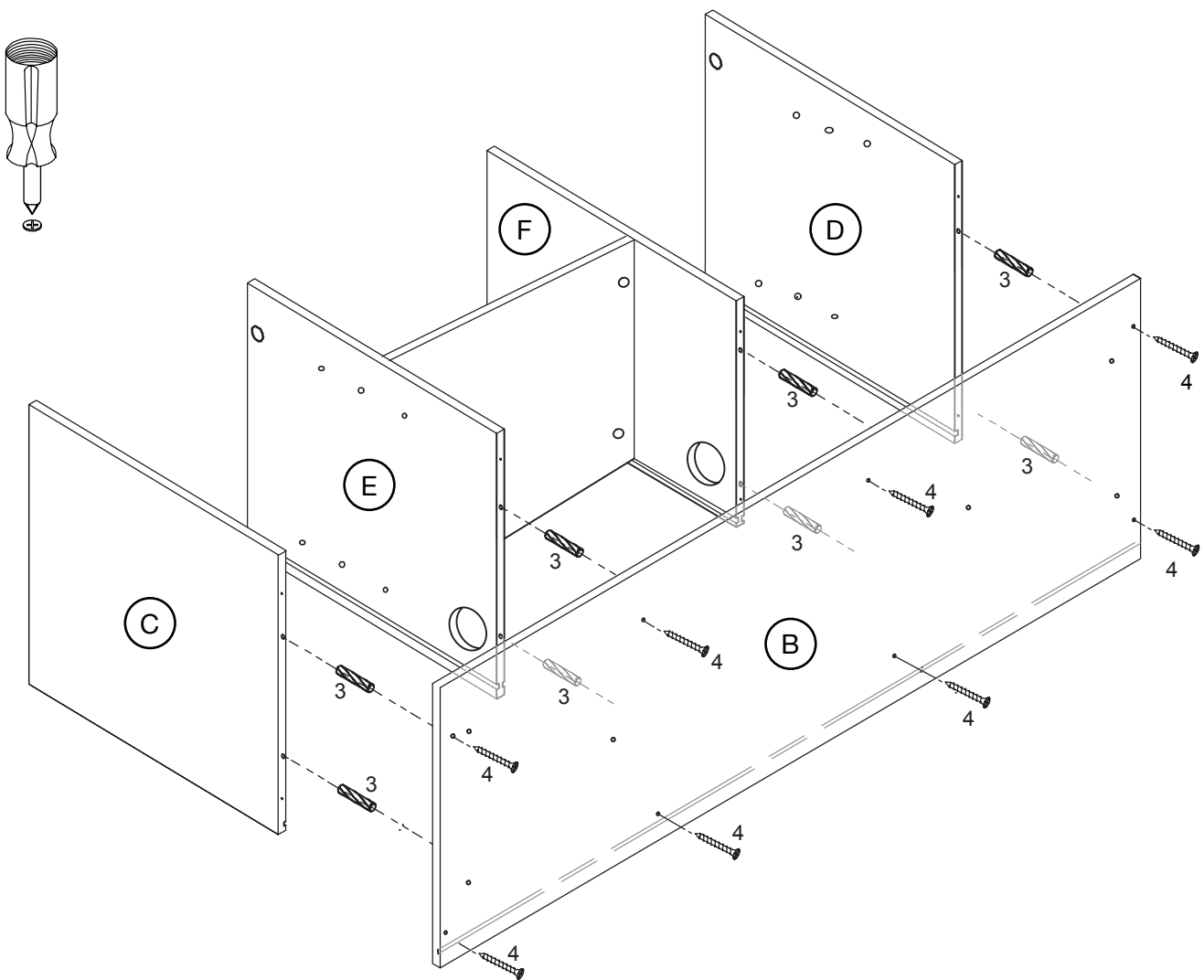
If you are still having issues getting things working as expected, first remove the cam lock then unscrew the cam bolt slightly (less than 1 complete turn) to see if that helps with the alignment of the cam lock & bolt.

Step 6

Stay strong, you're halfway there!

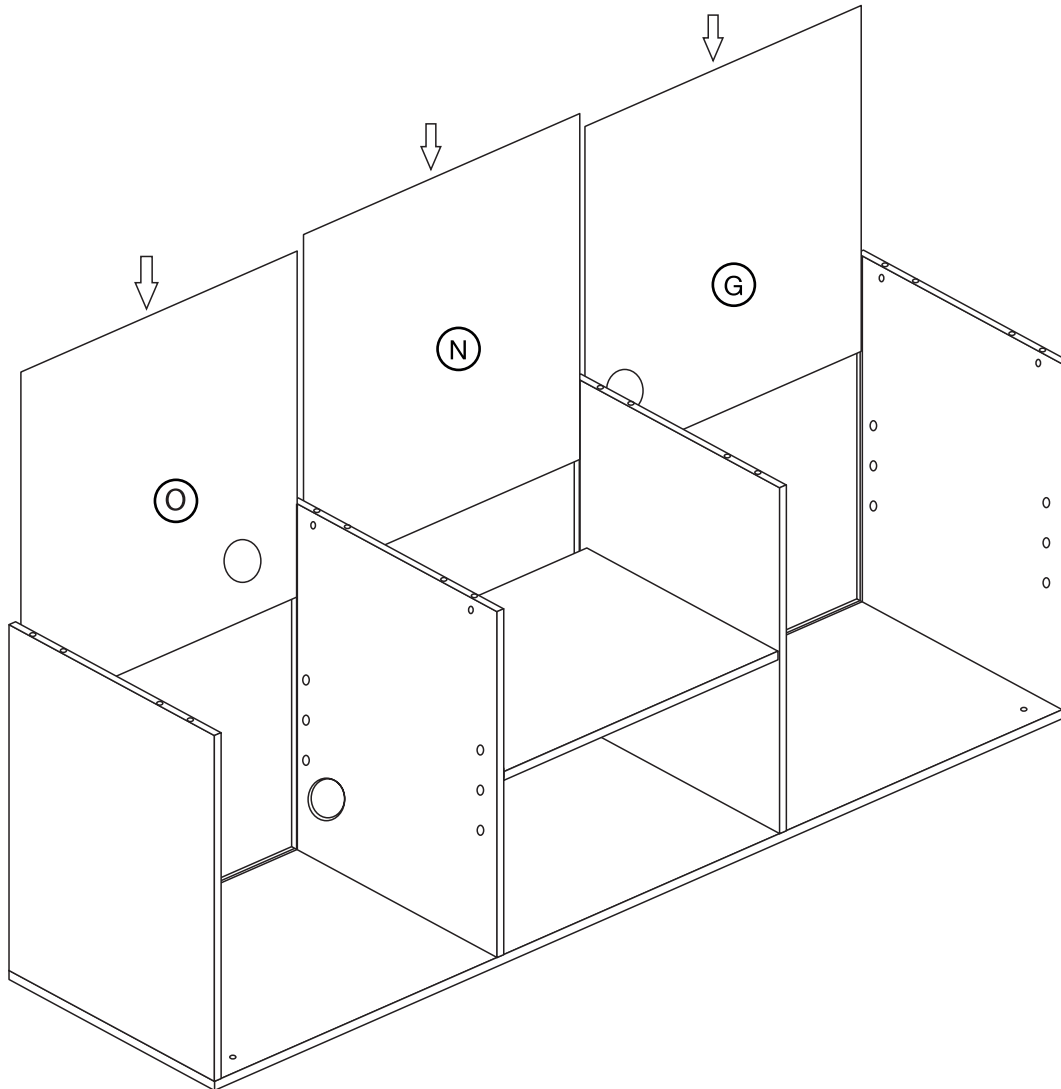
Now it's time to start attaching all of the panels together. Attach the Left Side Panel (C) to the Bottom Panel (B) by inserting Wooden Dowels (3) into the holes along the side of the Left Side Panel (C) and aligning it with the holes in the Bottom Panel (B). Once aligned, use the M4*35mm Screws (4) to secure in place.

Repeat this process with the Right Side Panel (D) and the middle section (E)(F)(H) that you assembled in the previous step.



Step 7

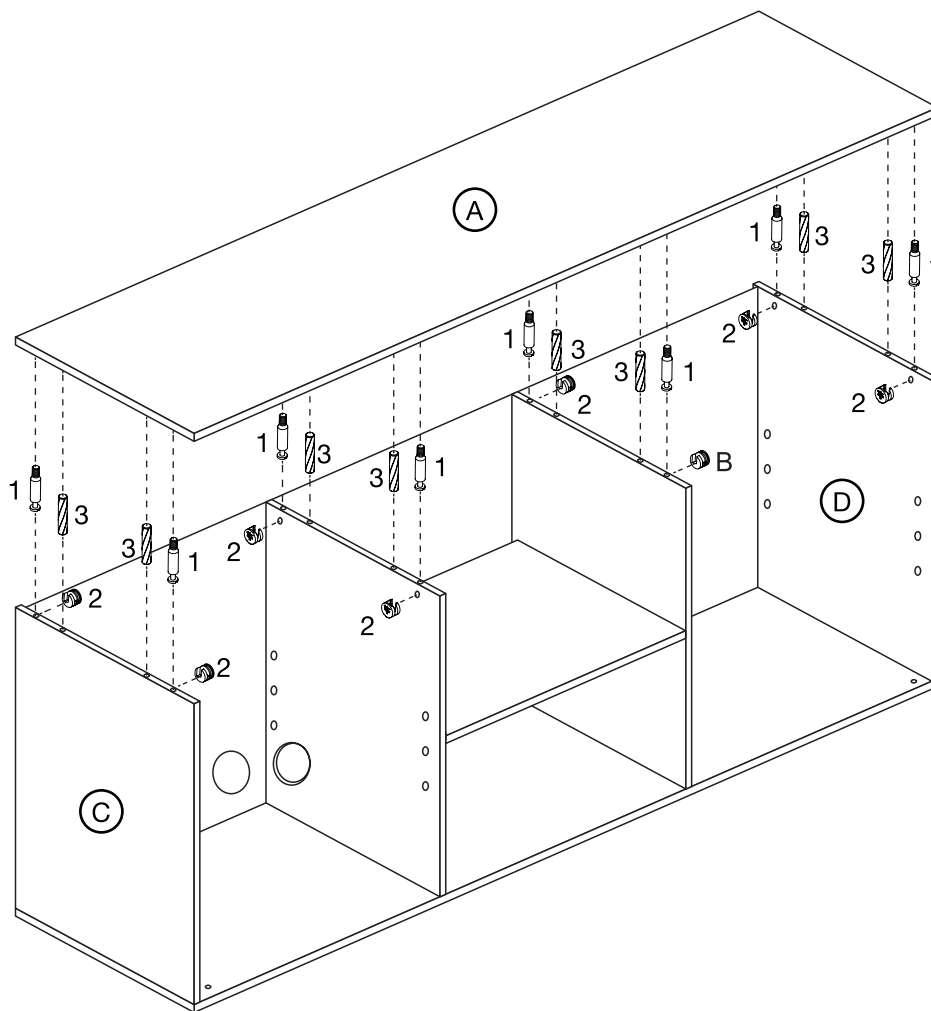
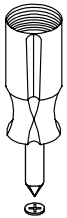
Slide in the Middle Back Panel (N) and Side Back Panels (G) and (O).



Step 8

Here comes those wooden dowels again...don't worry, this is the last step you'll be using them. Now might be a good time to order some pizza, because you're almost done!

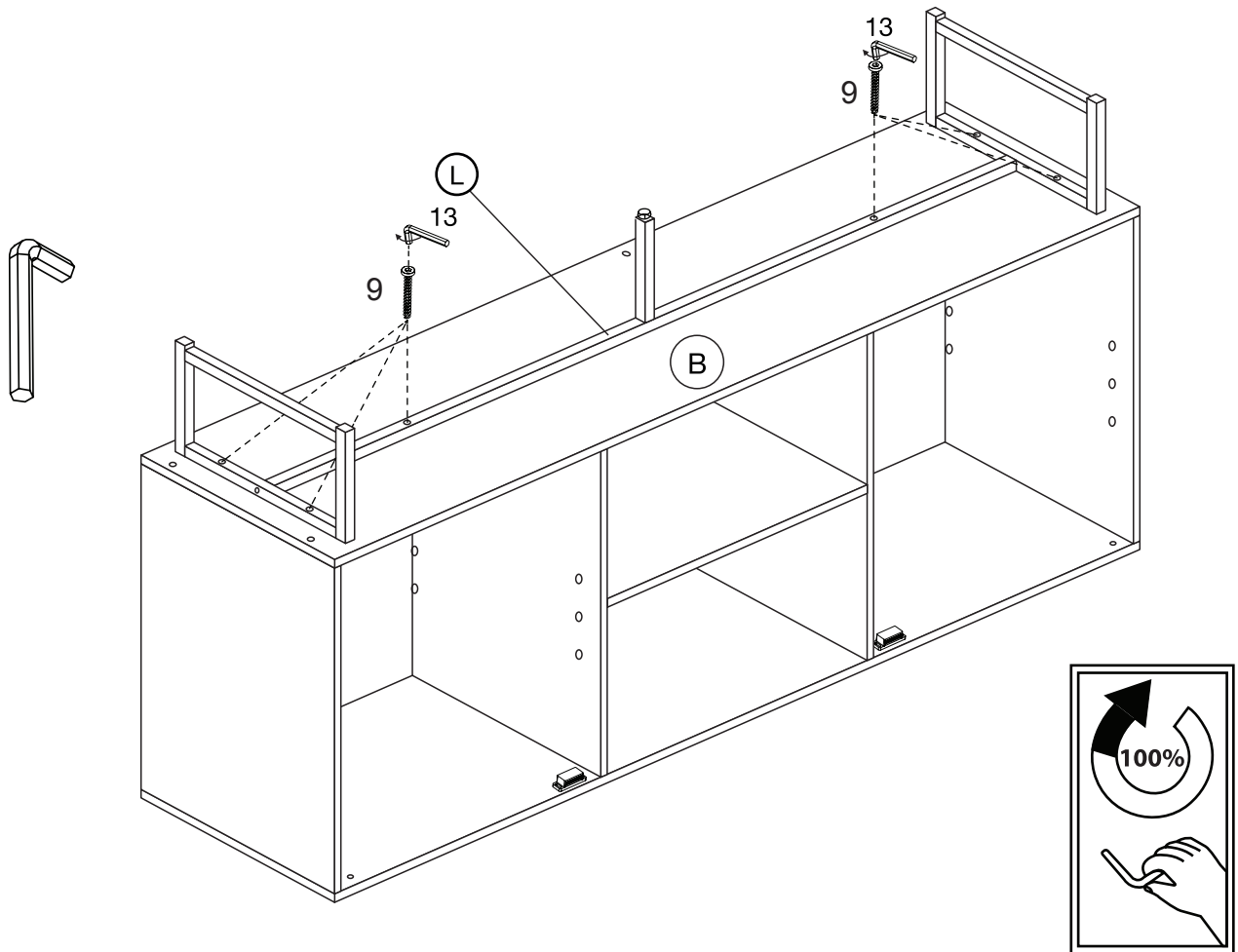
Now attach the Top Panel (A) to the rest of the cabinet by inserting the M6*35mm Cam Bolts (1) and M6*30mm Wooden Dowels (3) into the coordinating holes. See the diagram below for proper placement. Lock the Cam Bolts (1) in place using the 15*10mm Cam Locks (2).



Step 9

If you couldn't tell by now, we've been building it upside down, but don't worry there won't be a demogorgon (Stranger Things reference).

Time to attach the legs before we can flip this puppy over! Use the M6*28mm Screws (9) to attach the Back Stretcher (L) that you built in step 1 to the cabinet base. After everything is lined up, tighten to 100% using the Allen Key (13).

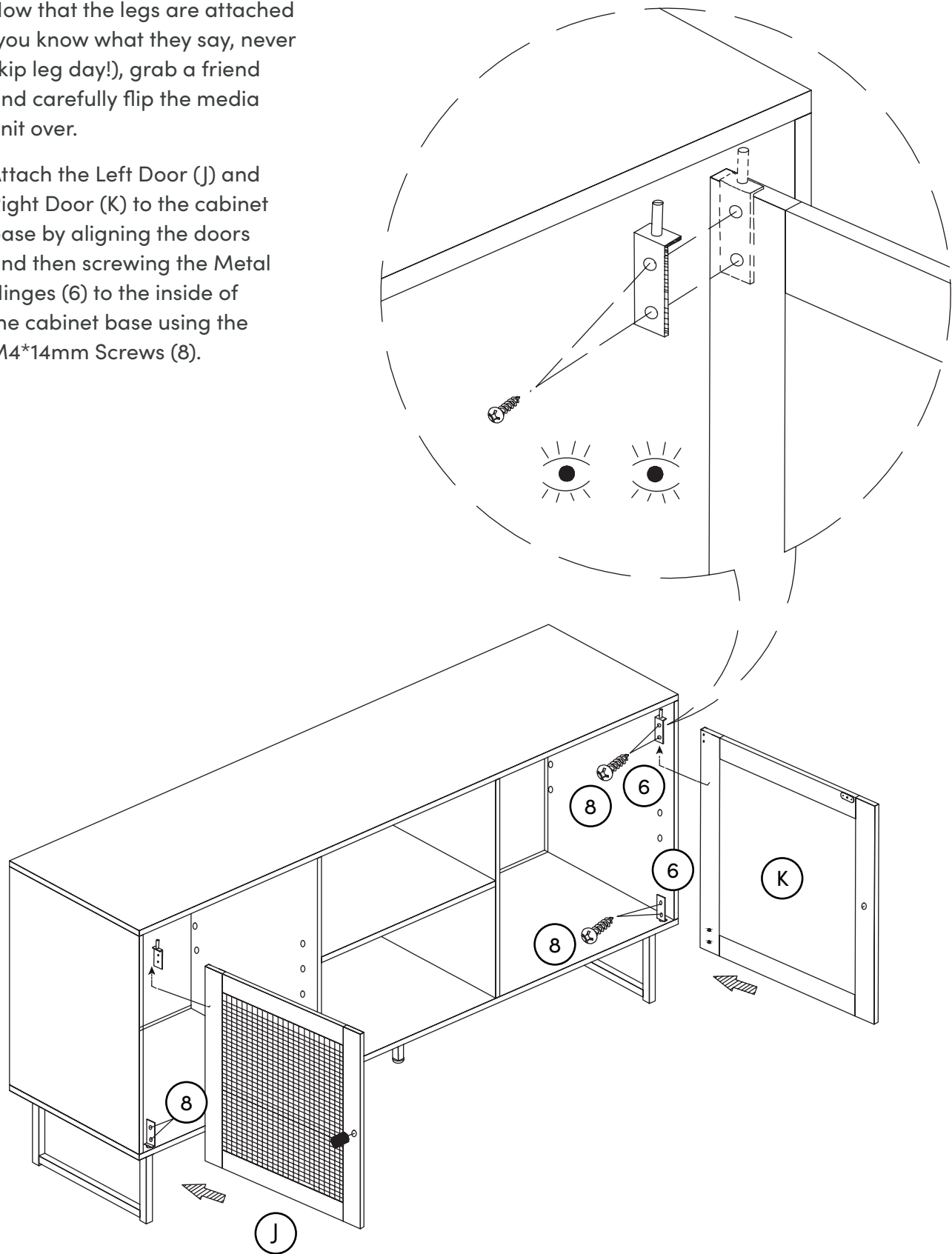


Once everything is lined up and partially tightened, go ahead and tighten ALL connections to 100%

Step 10

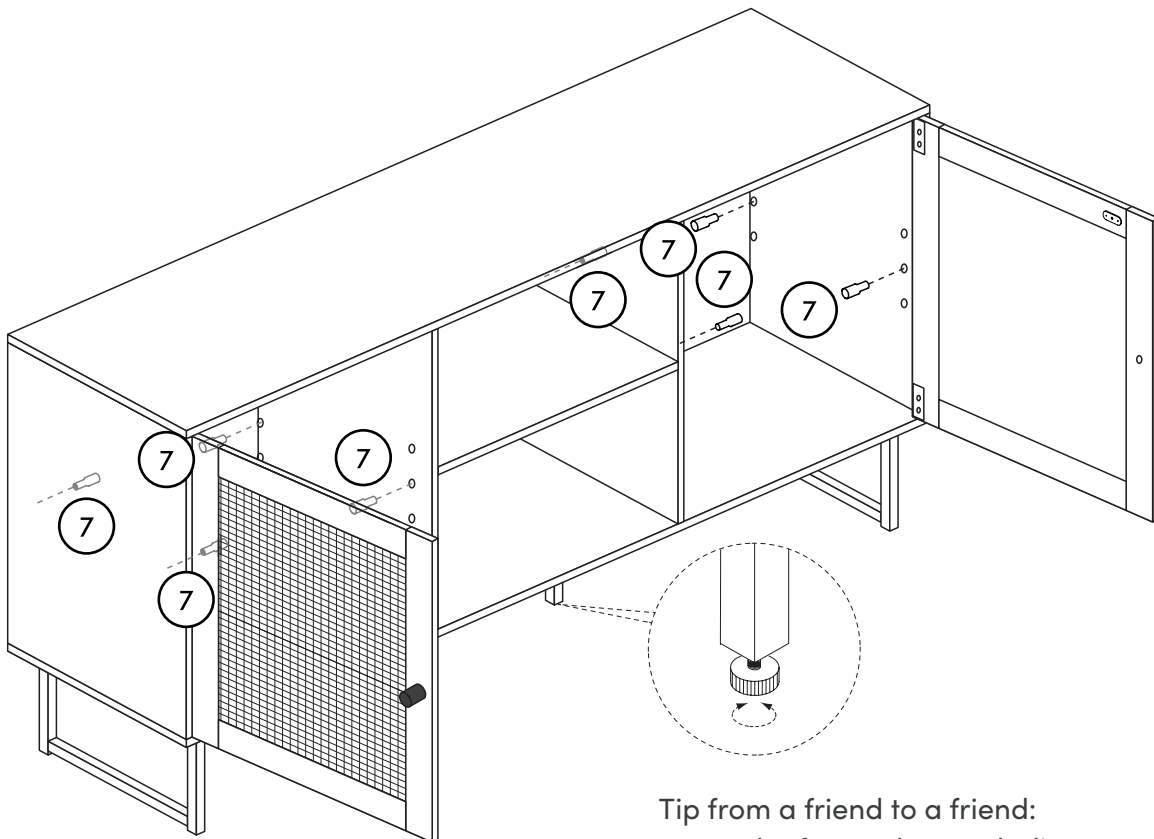
Now that the legs are attached (you know what they say, never skip leg day!), grab a friend and carefully flip the media unit over.

Attach the Left Door (J) and Right Door (K) to the cabinet base by aligning the doors and then screwing the Metal Hinges (6) to the inside of the cabinet base using the M4*14mm Screws (8).



Step 11

Twist in the Metal Pins (7) to the cabinet base at your desired height. These are what your shelves will rest on.

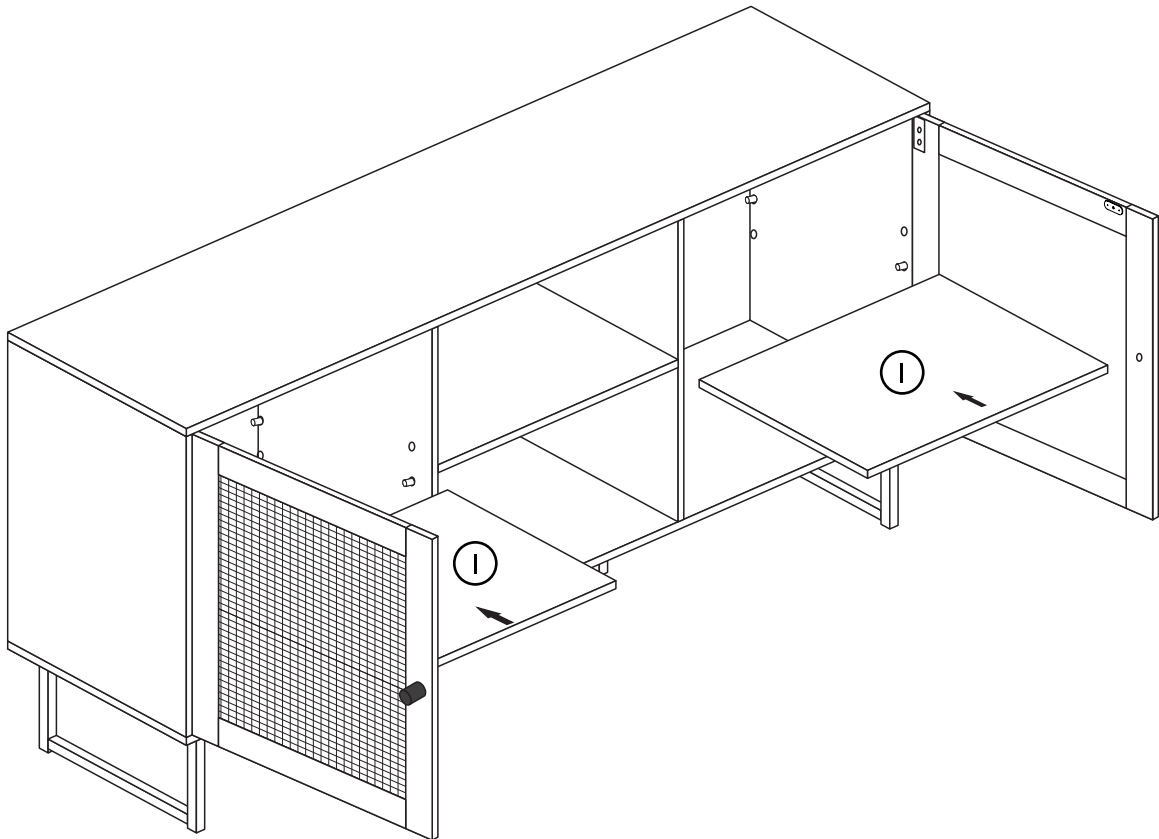


Tip from a friend to a friend:
rotate the footpads to stabilize
the media unit.

Step 12

Last, but not least, slide your
Side Shelves (I) in. Ta-da!
All done!

Cue the party music

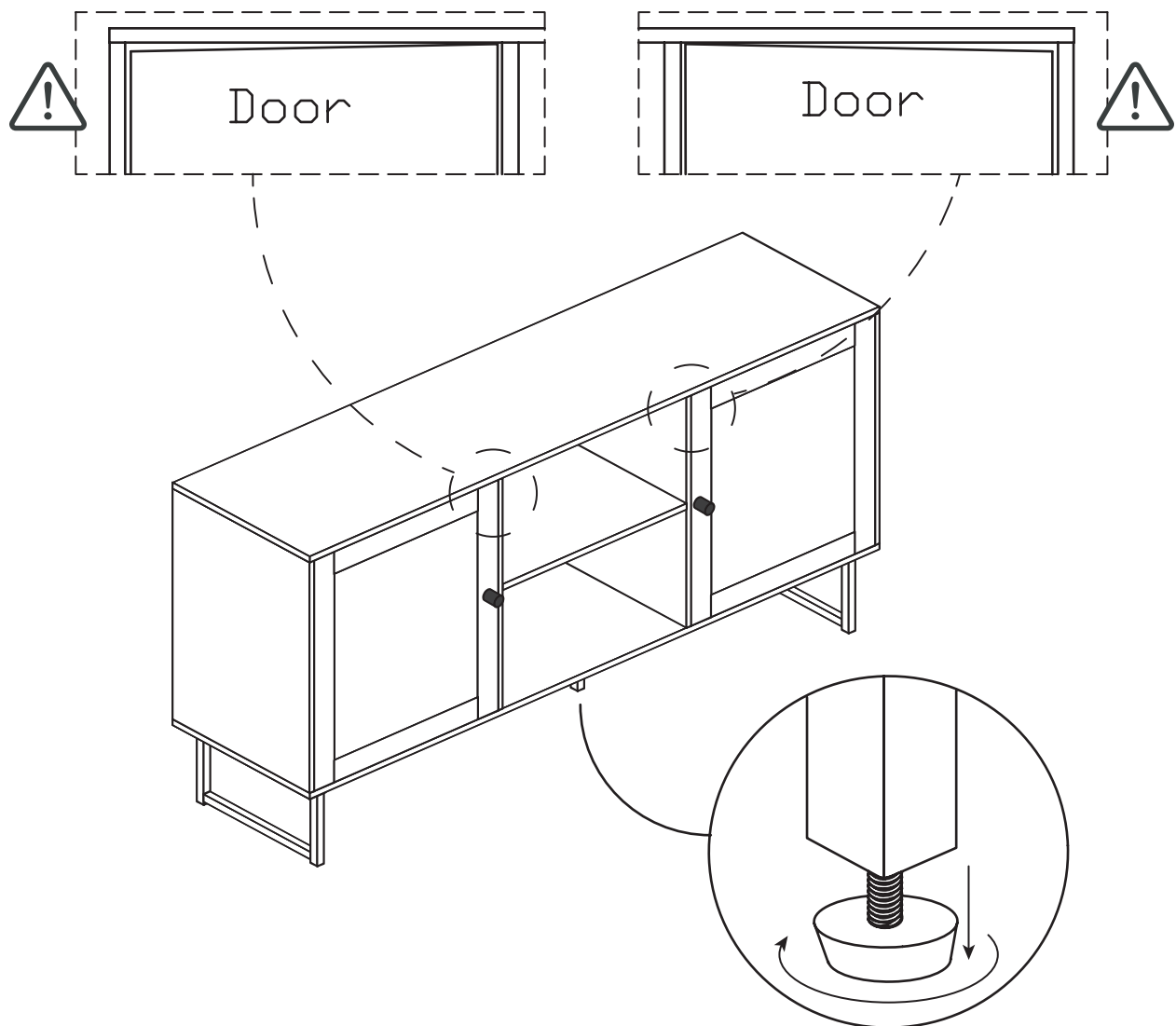


Are the doors on your media unit jamming or sitting askew?

If your media unit seems to be experience issues with the doors jamming or not closing properly, try adjusting the adjustable foot on the middle support leg under the unit.

This will prove to be especially helpful if you didn't start to notice an issue with the doors until after you started filling the cabinets, shelves, etc...

The adjustable nature of the middle support leg is specifically intended to help prevent the middle of the unit from sagging when loaded with all of your belongings.



Our way



Give us a call



Replacement



You

Their way



Re-package item



Schedule pick up



Track package



Replacement



You

Safe use of this product starts with you.

Use this media unit responsibly with the primary concern for your safety. Follow assembly instructions carefully and inspect product upon receipt and each use.

Nathan James and its parent companies cannot be held legally responsible for any injuries or death resulted from failure to follow instructions or improper use of this product.

Do not modify the structure of this product in any way.

Our products have been tested to meet specific safety measures as they were originally intended to be sold. Any modifications will present the risk of creating significant safety issues which NJ will not be responsible for.

Proper use

- DO NOT** use for commercial purposes
- DO NOT** place on uneven floor or surface
- DO NOT** use as a step-stool or stand on media unit
- DO NOT** put hot serving liquid directly on media unit
- DO NOT** leave spilled liquid on media unit
- DO NOT** use if media unit is damaged or broken
- DO NOT** make temporary repairs
- DO NOT** use outdoors

We are only in business if you're happy

For starters, thanks for being you.

We do our best to ensure your furniture arrives without any problems, but occasionally mistakes happen—as humans we are imperfect beings. In the event that a part is damaged or missing, we will be more than happy to provide you with replacement part(s) for free.

Warranty

This product comes with a lifetime warranty from the date of purchase.