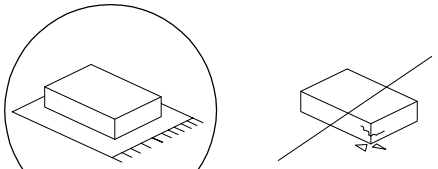

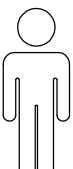
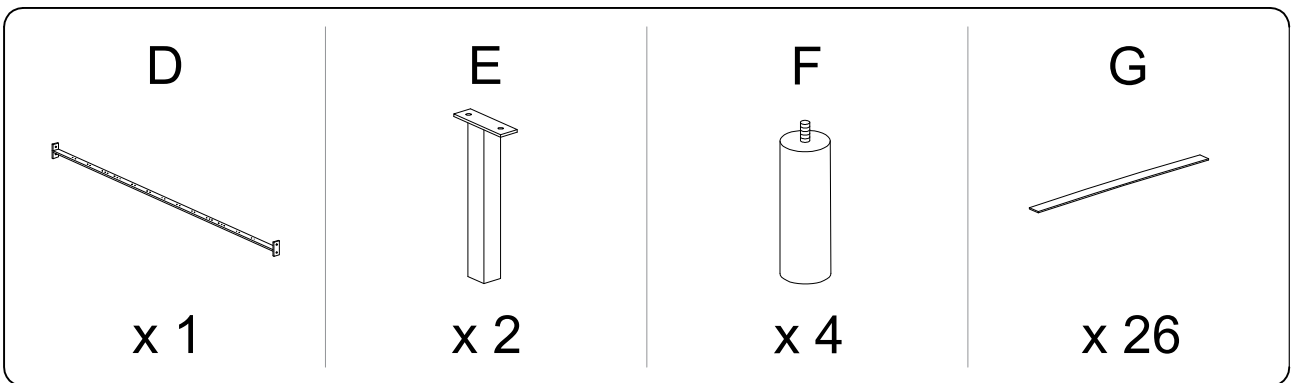
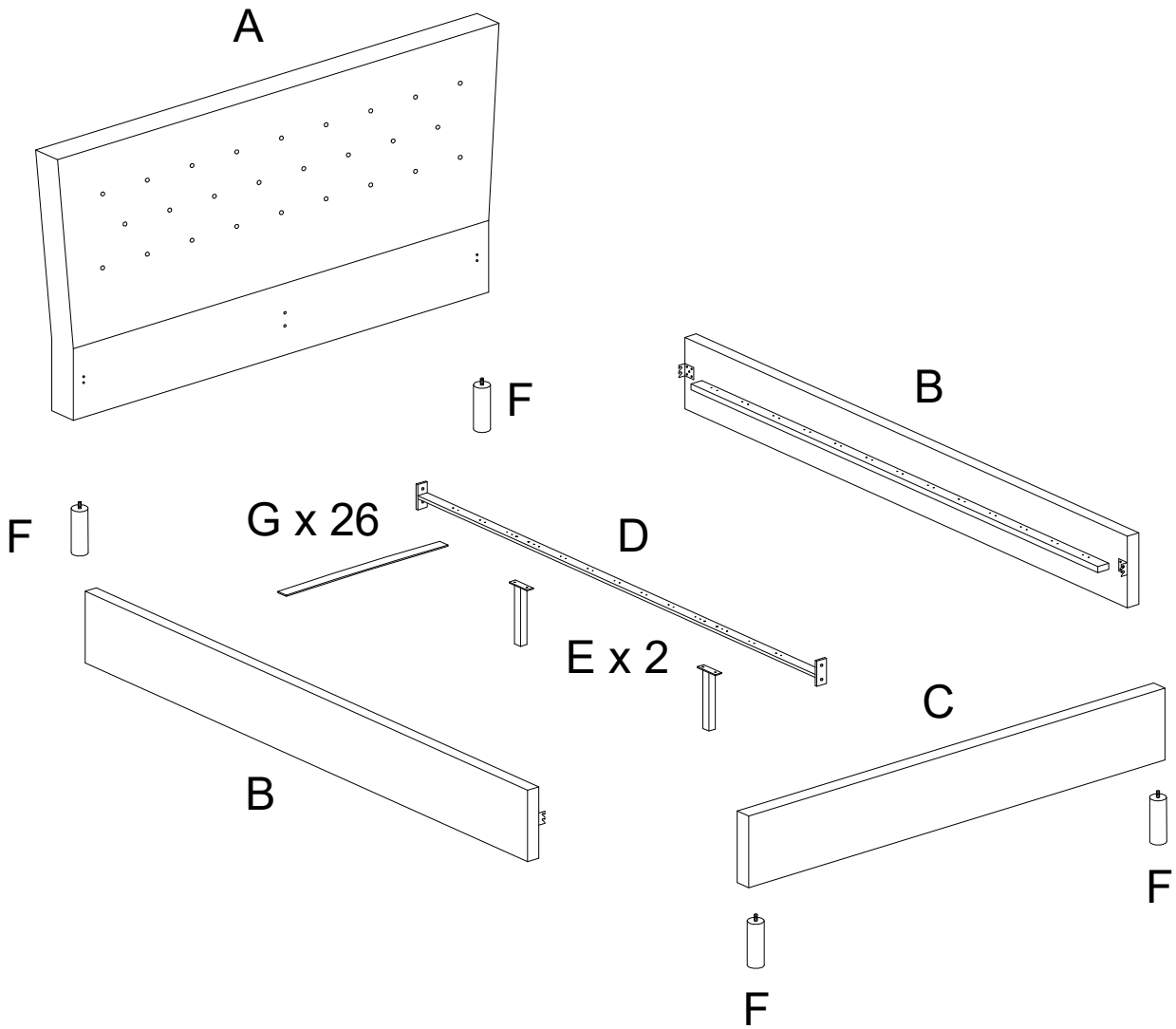
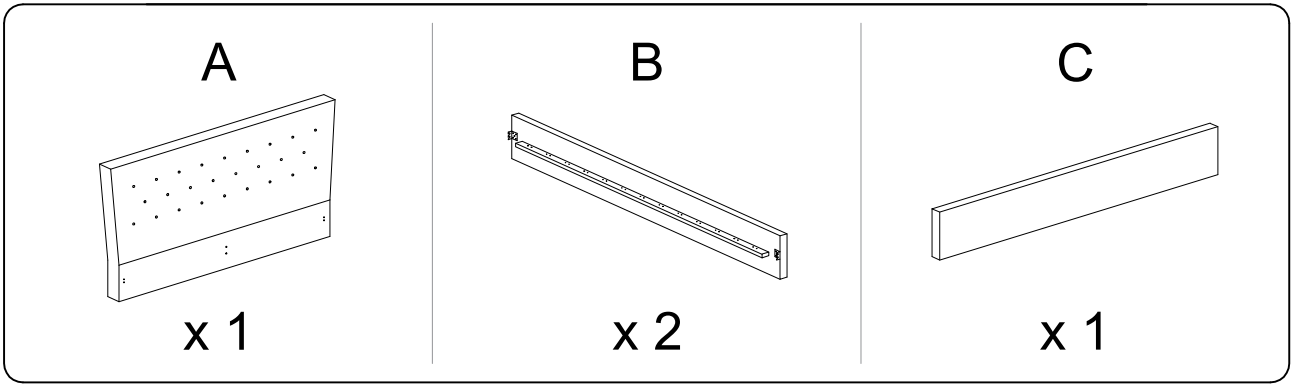
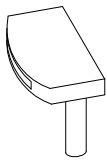

		<b>45'</b>
		
		<b>2</b>

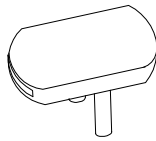


H



x 26

I



x 13

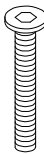
J



M8  
x  
30

x 8

K



M8  
x  
40

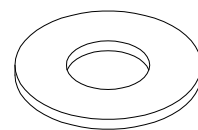
x 8

L



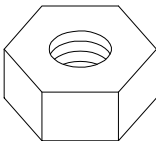
x 16

M



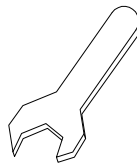
x 16

N



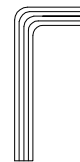
x 4

O



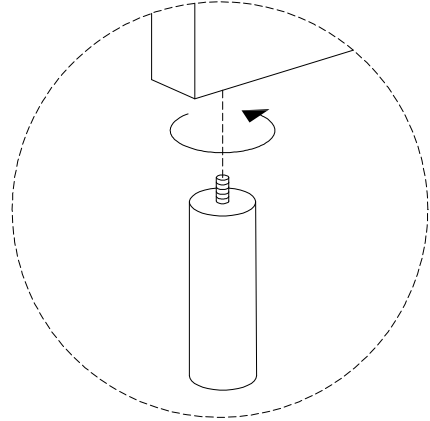
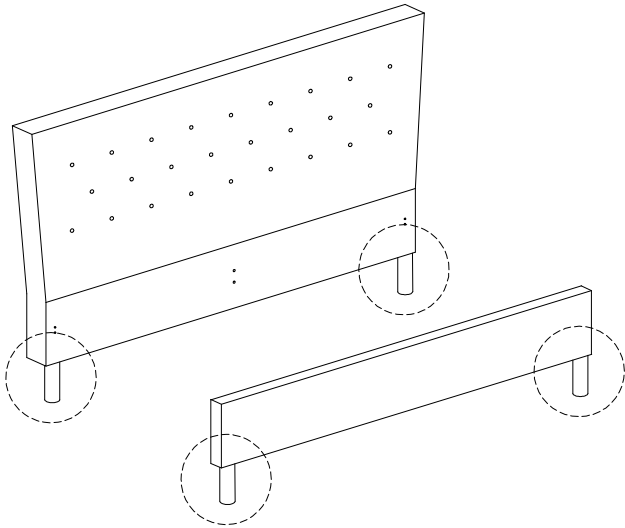
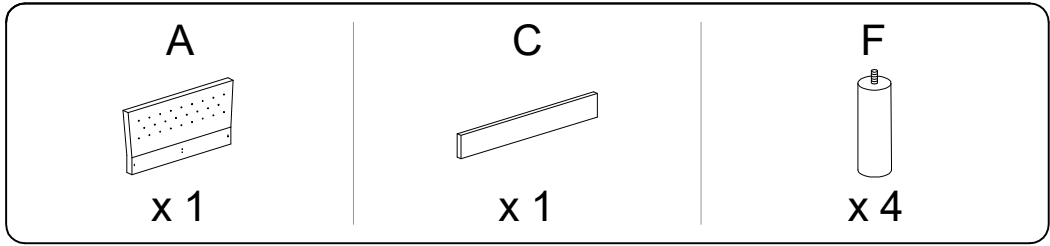
x 1

P

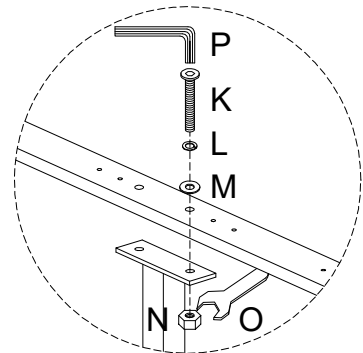
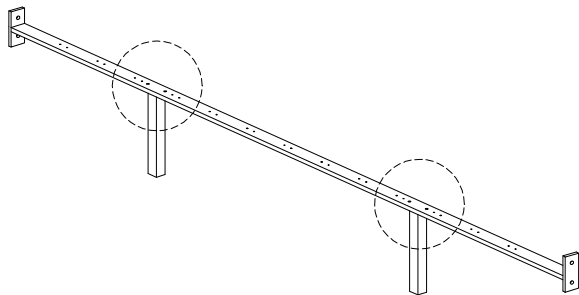
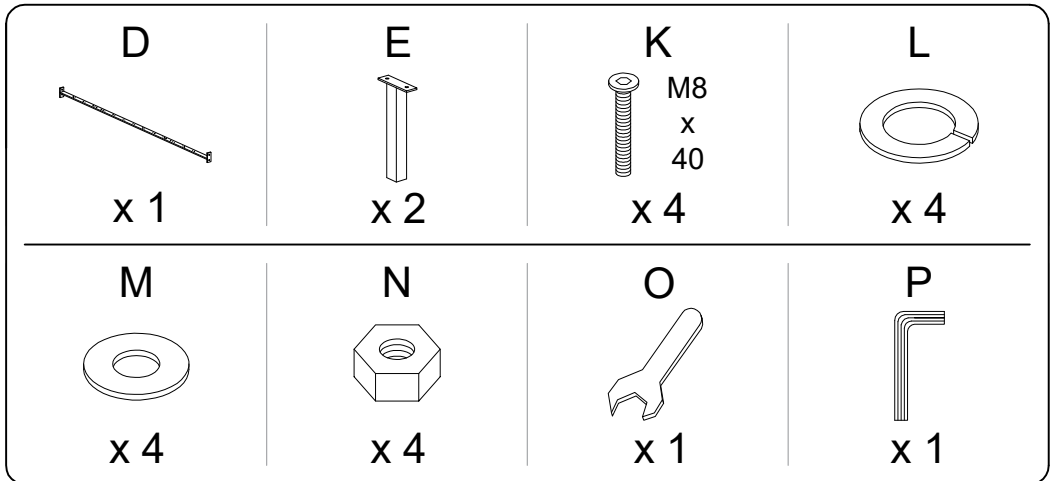


x 1

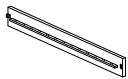
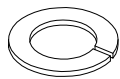
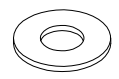
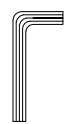
1

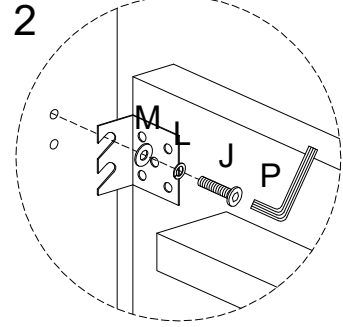
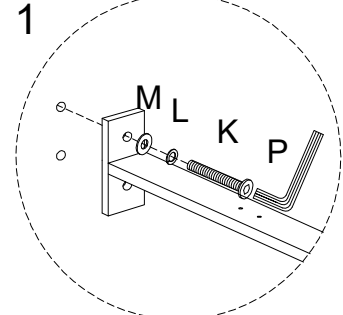
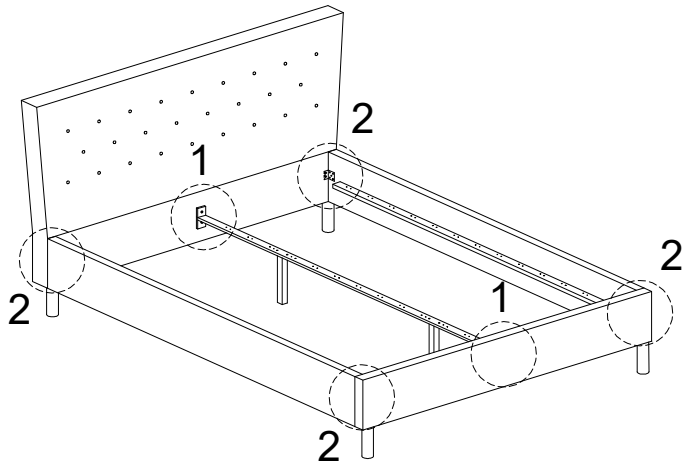


2


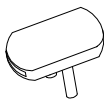


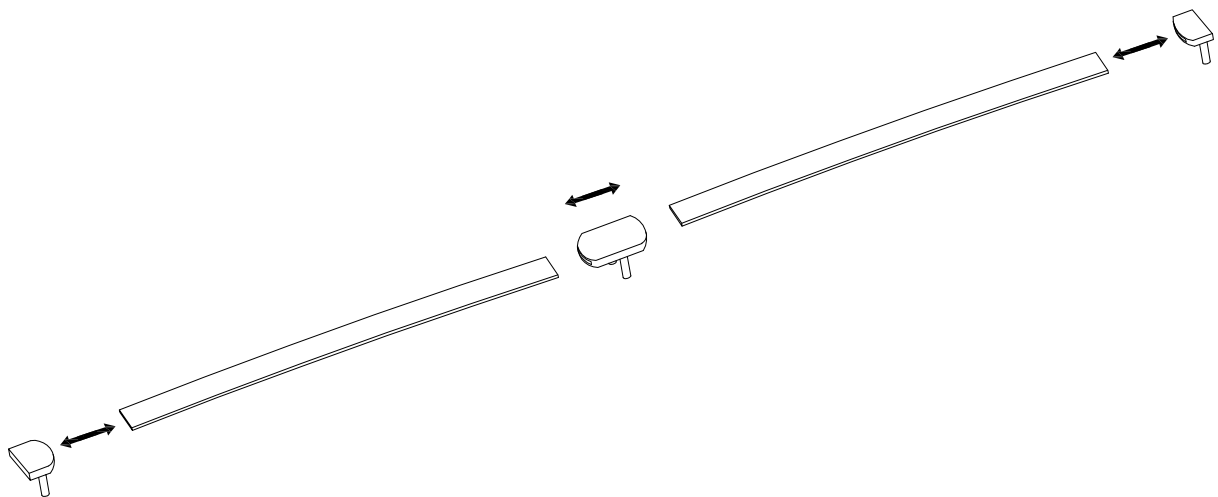
3

<b>B</b>  x 2	<b>J</b> M8 x 30 x 8	<b>K</b> M8 x 40 x 4	<b>L</b>  x 12	<b>M</b>  x 12	<b>P</b>  x 1
--	-------------------------------	-------------------------------	--	---	--



4

<b>G</b>  x 26	<b>H</b>  x 26	<b>I</b>  x 13
---	---	---



5

