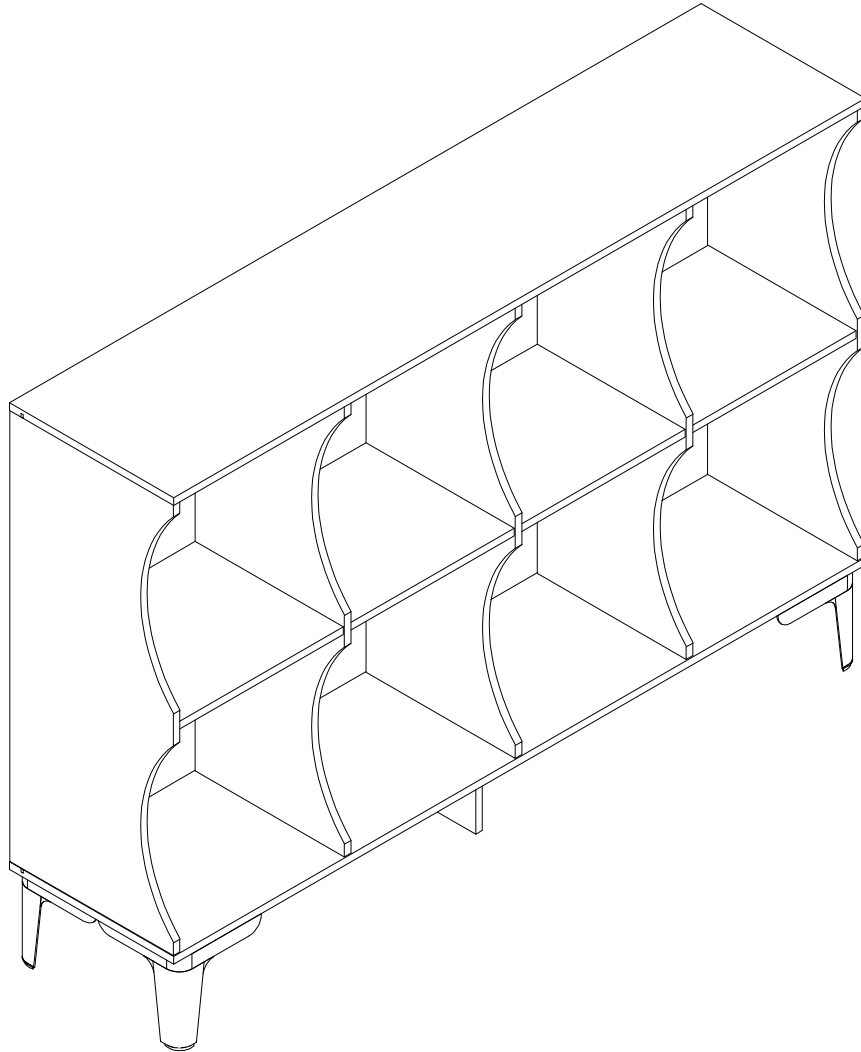




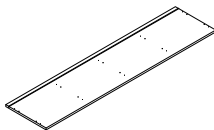




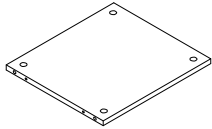
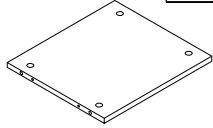
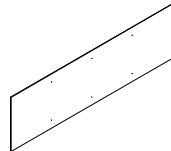
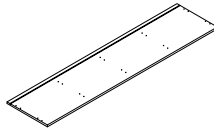
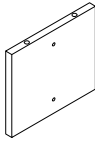
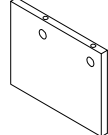
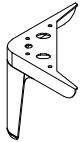
Thanks for purchasing from us. If you need tutorial videos, FAQs and more help, Please scan the QR code to get your after-sales service.

Contact us

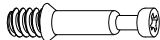










Email: service2025514@gmail.com

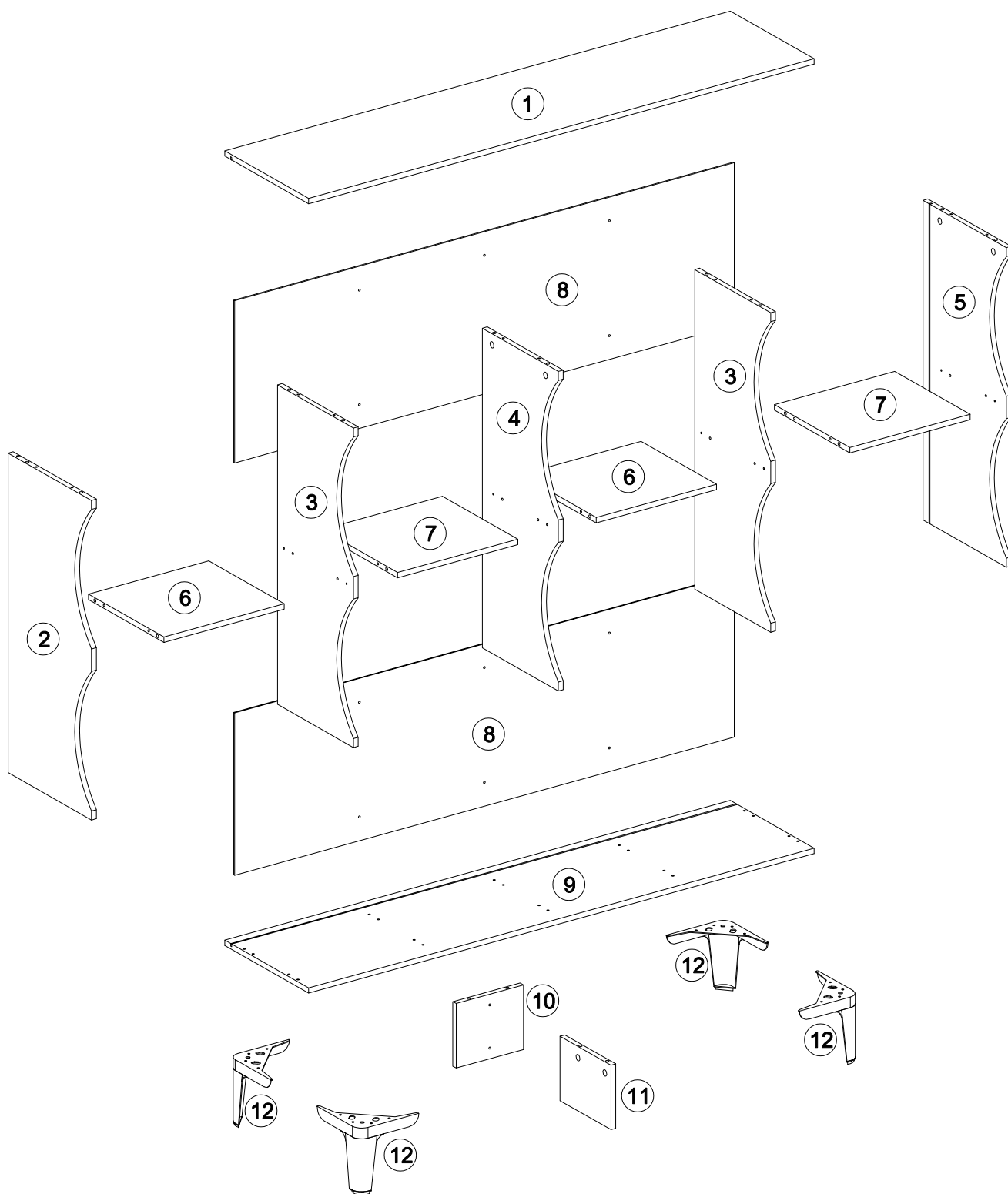


Parts List

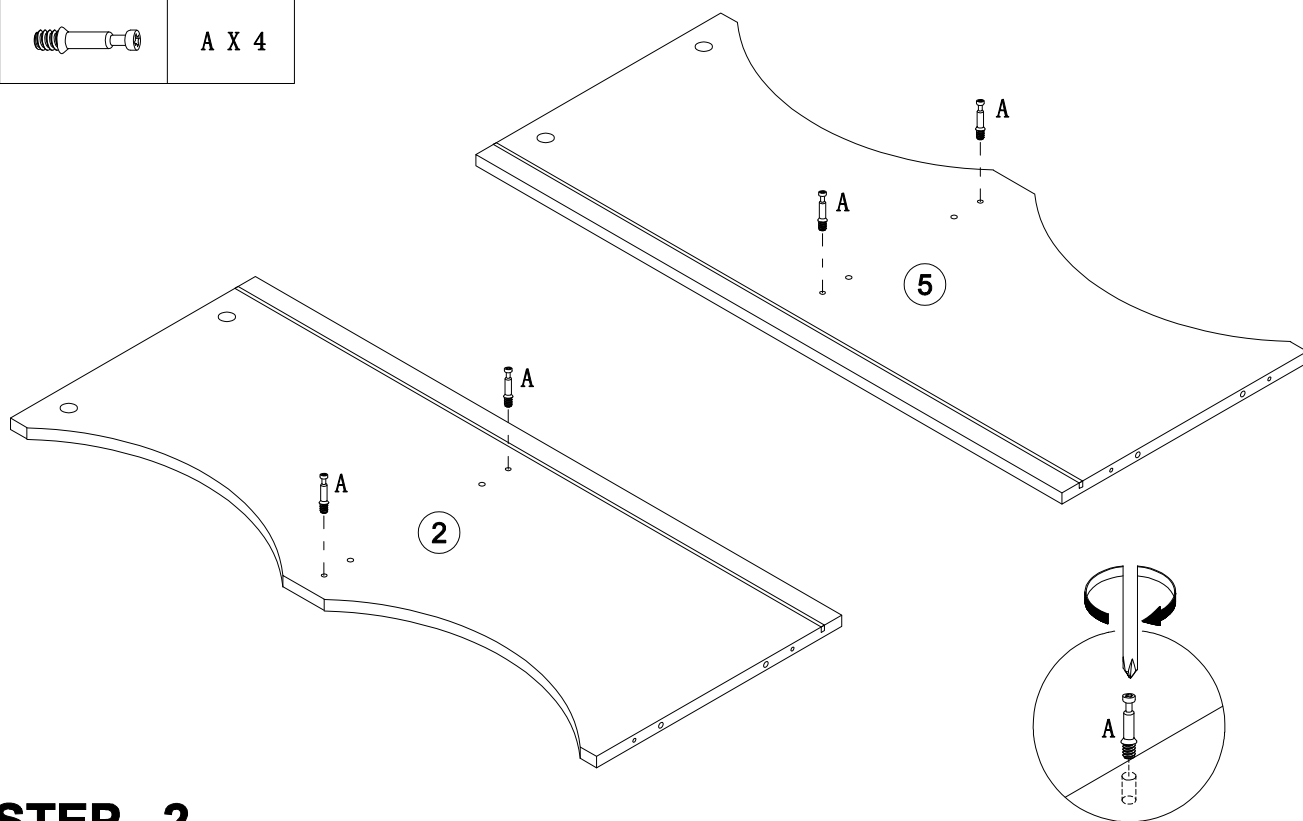
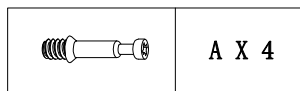
 1 X 1	 2 X 1	 3 X 2	 4 X 1
 5 X 1	 6 X 2	 7 X 2	 8 X 2
 9 X 1	 10 X 1	 11 X 1	 12 X 4

Hardware List

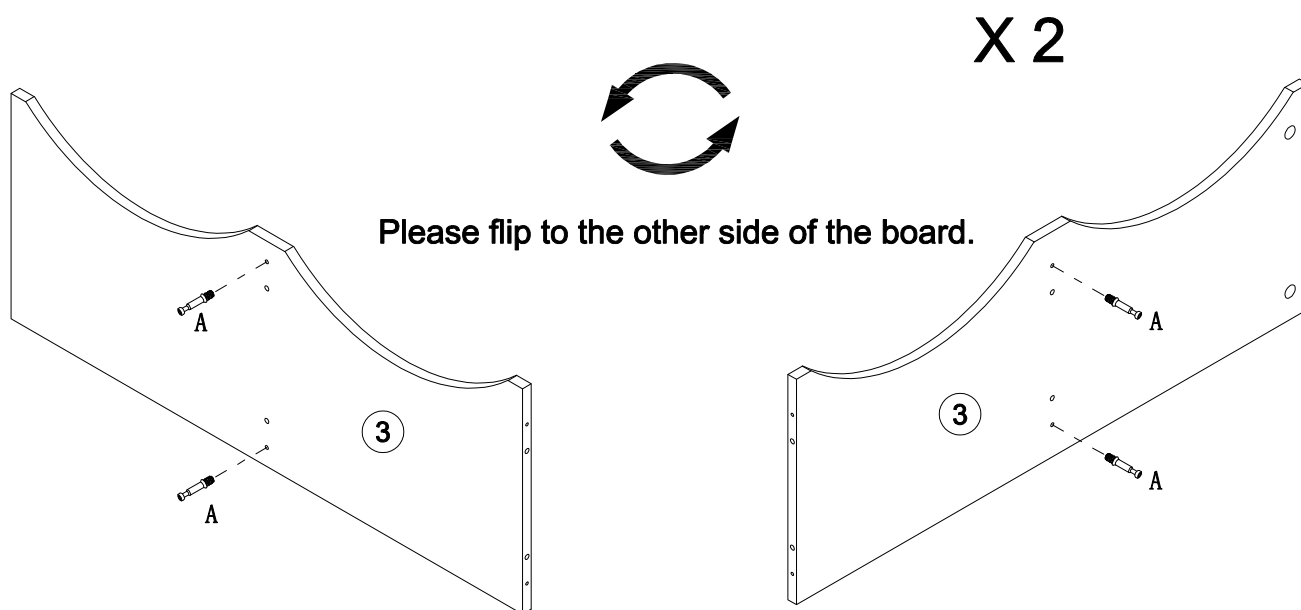
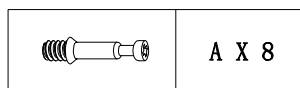
 A x 30 ø6*32 +2 (spare)	 B x 30 ø15*9 +2 (spare)	 C x 36 ø6*30 +3 (spare)
 D x 12 ø5*48 +1 (spare)	 E x 28 ø3.5*12 +2 (spare)	 F x 1 M3
 G x 1 M4	 H x 2 ø4*12	 I x 2
 J x 2	 K x 2 ø4*38	



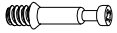
STEP 1



STEP 2

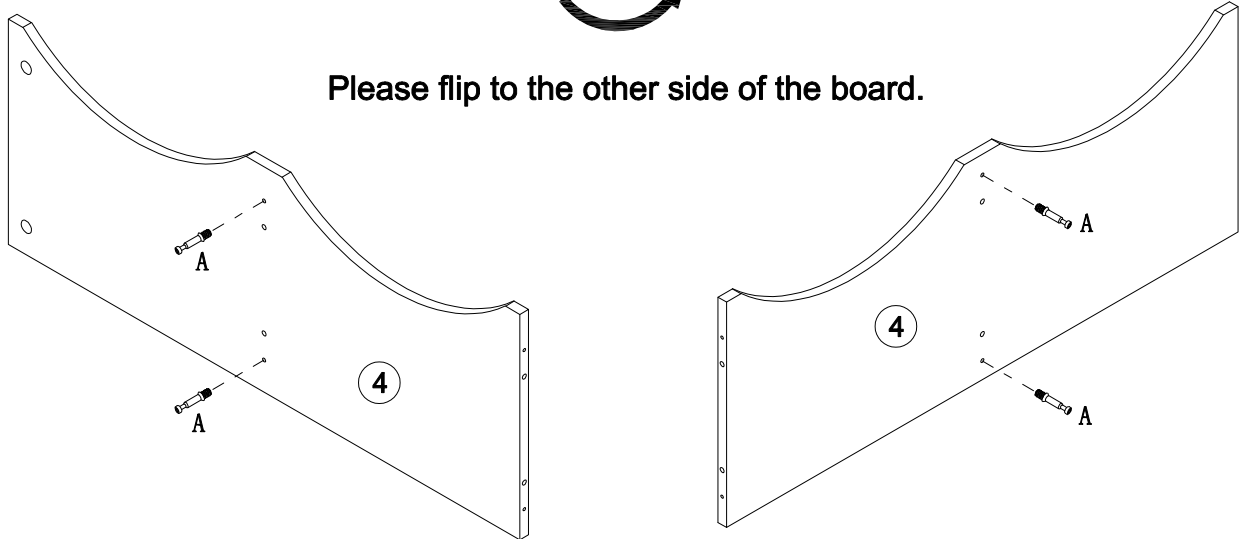


STEP 3



	A X 4
---	-------

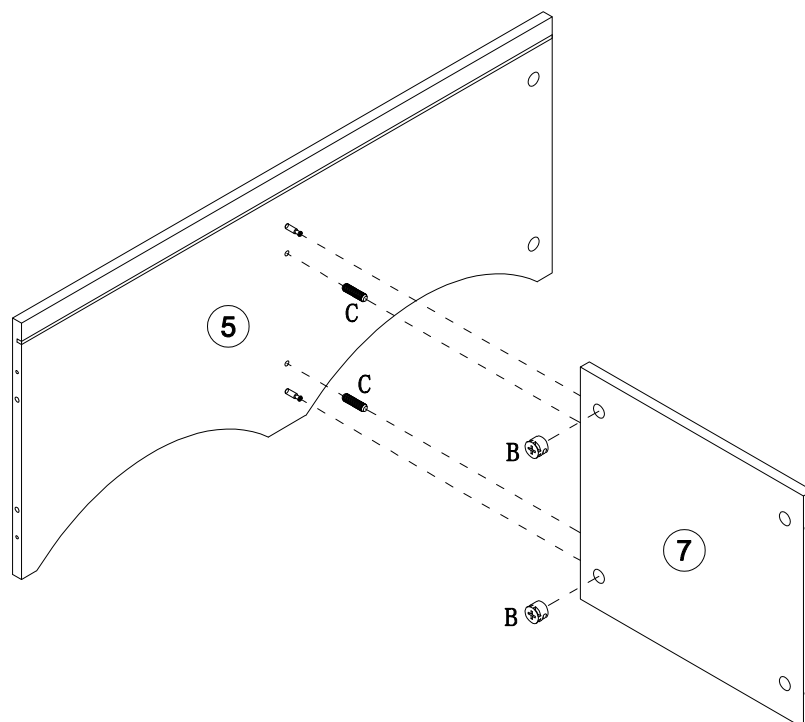


Please flip to the other side of the board.





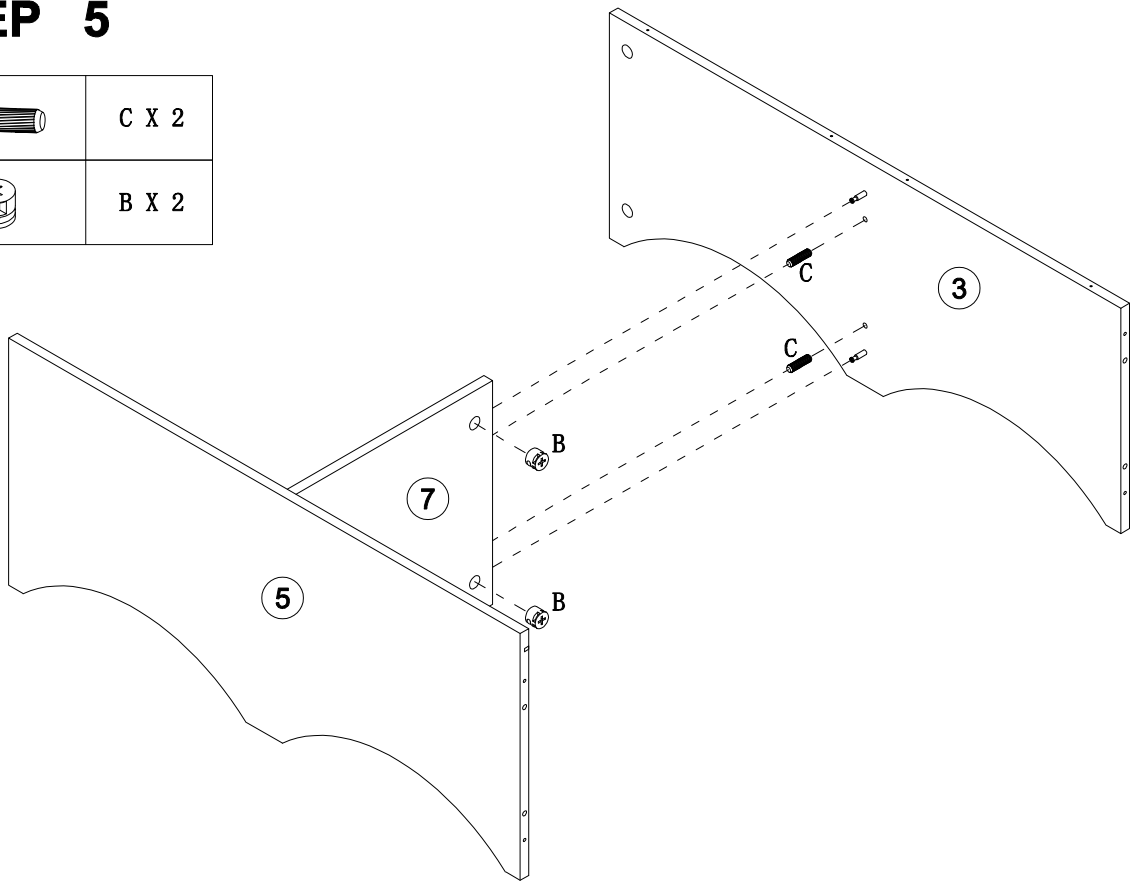
STEP 4



	C X 2
	B X 2

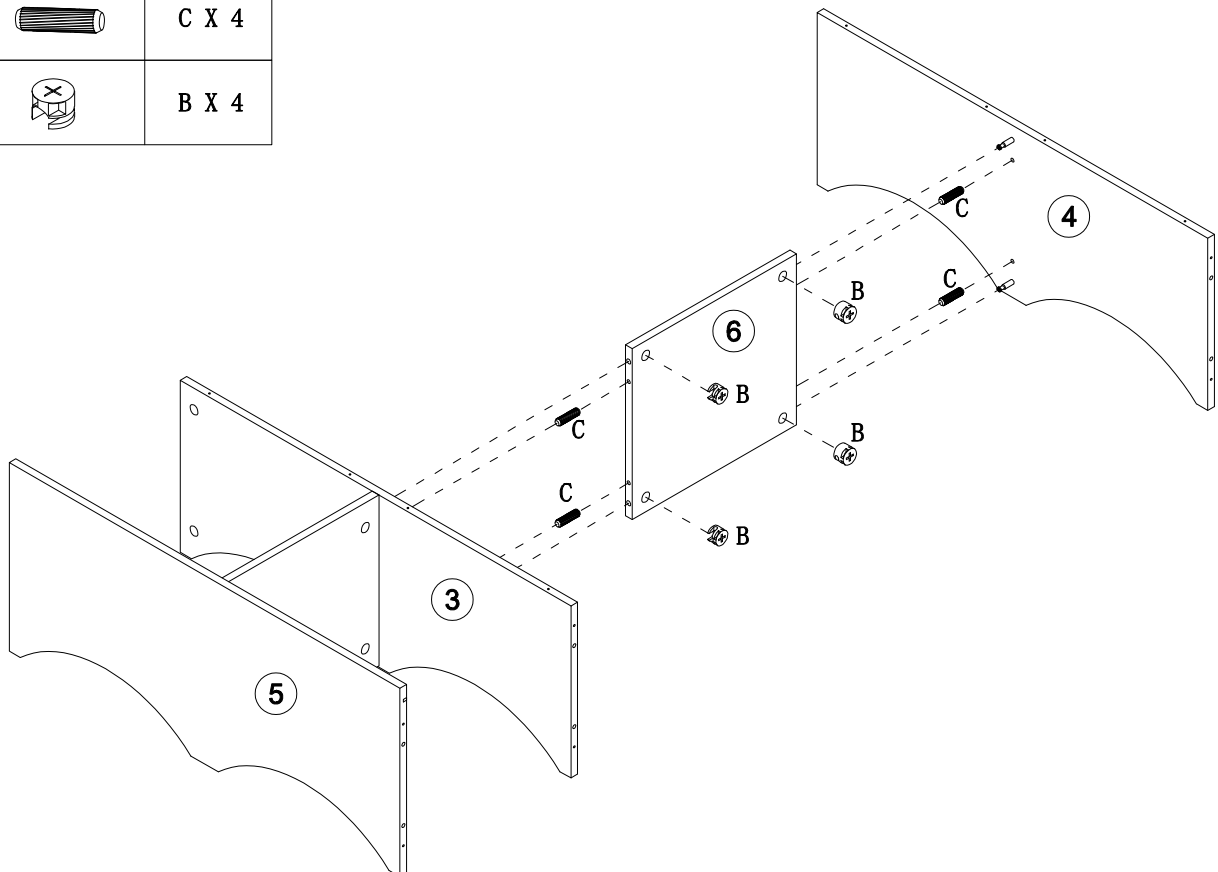


STEP 5



	C X 2
	B X 2

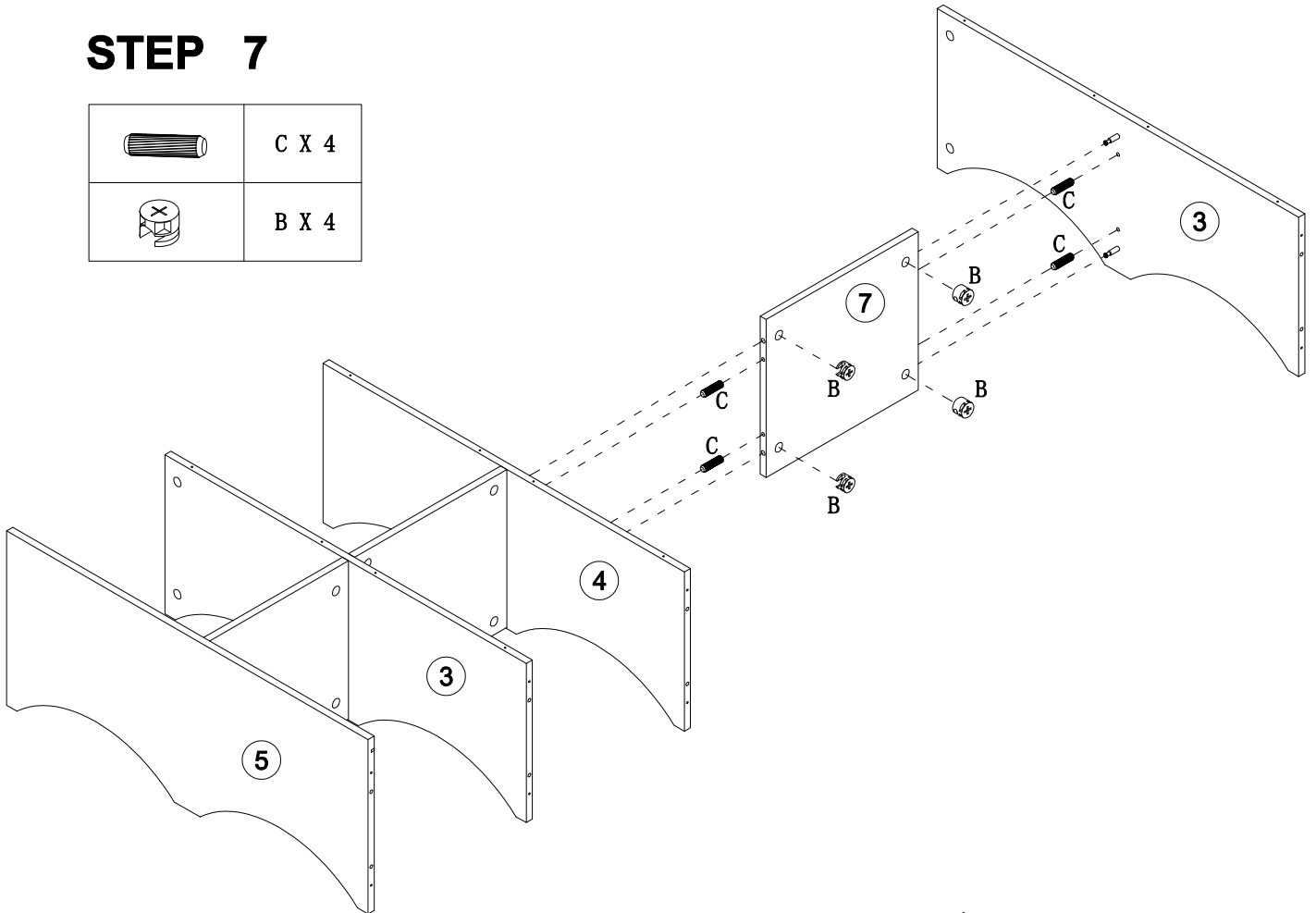
**STEP 6**



	C X 4
	B X 4

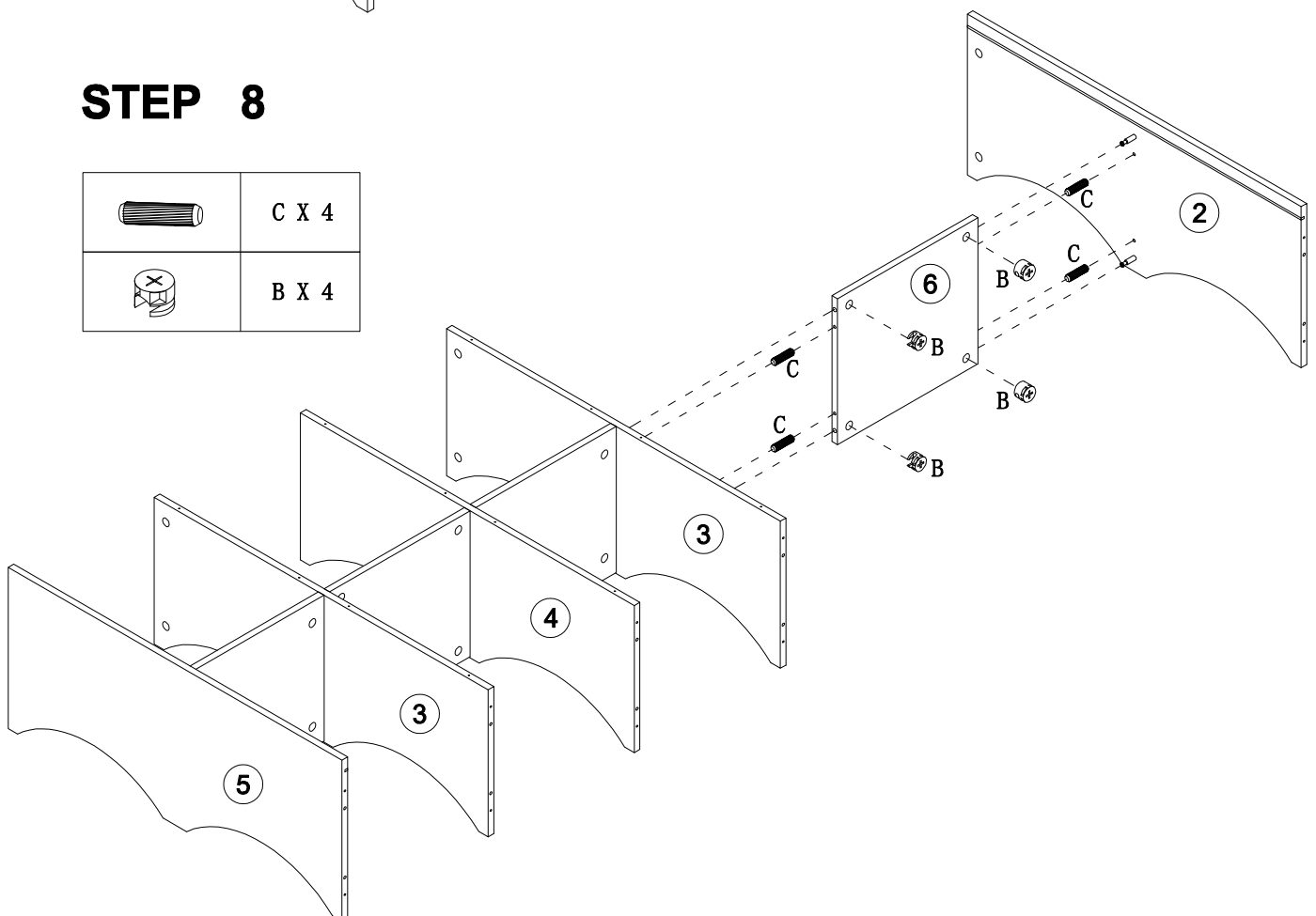


STEP 7

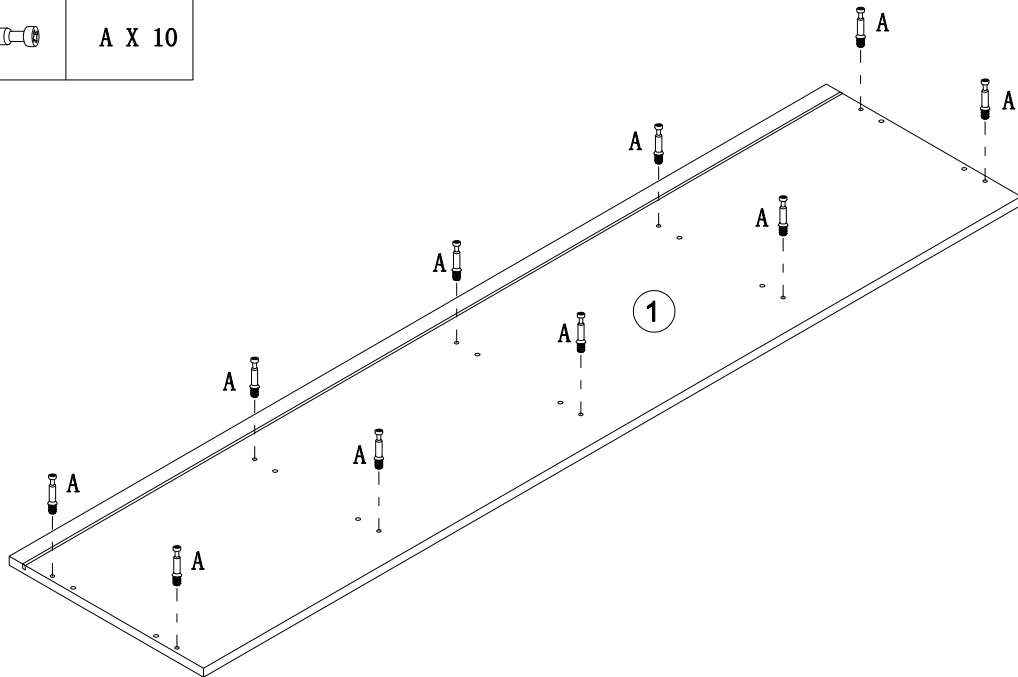
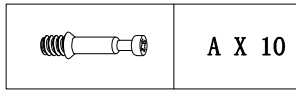
	C X 4
	B X 4

**STEP 8**

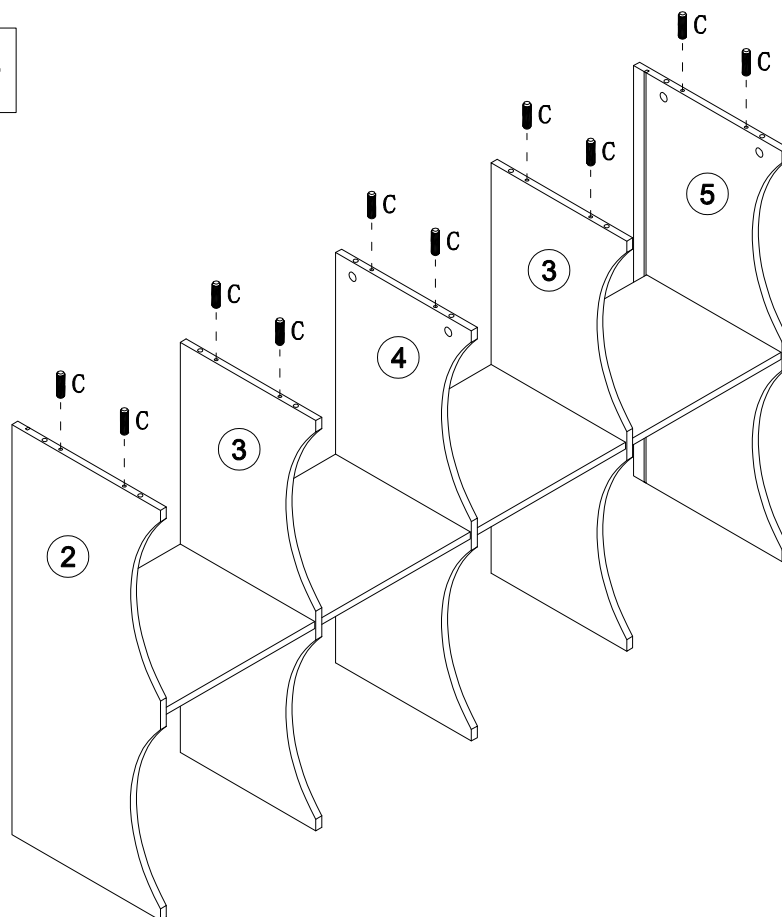
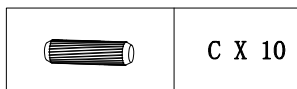
	C X 4
	B X 4



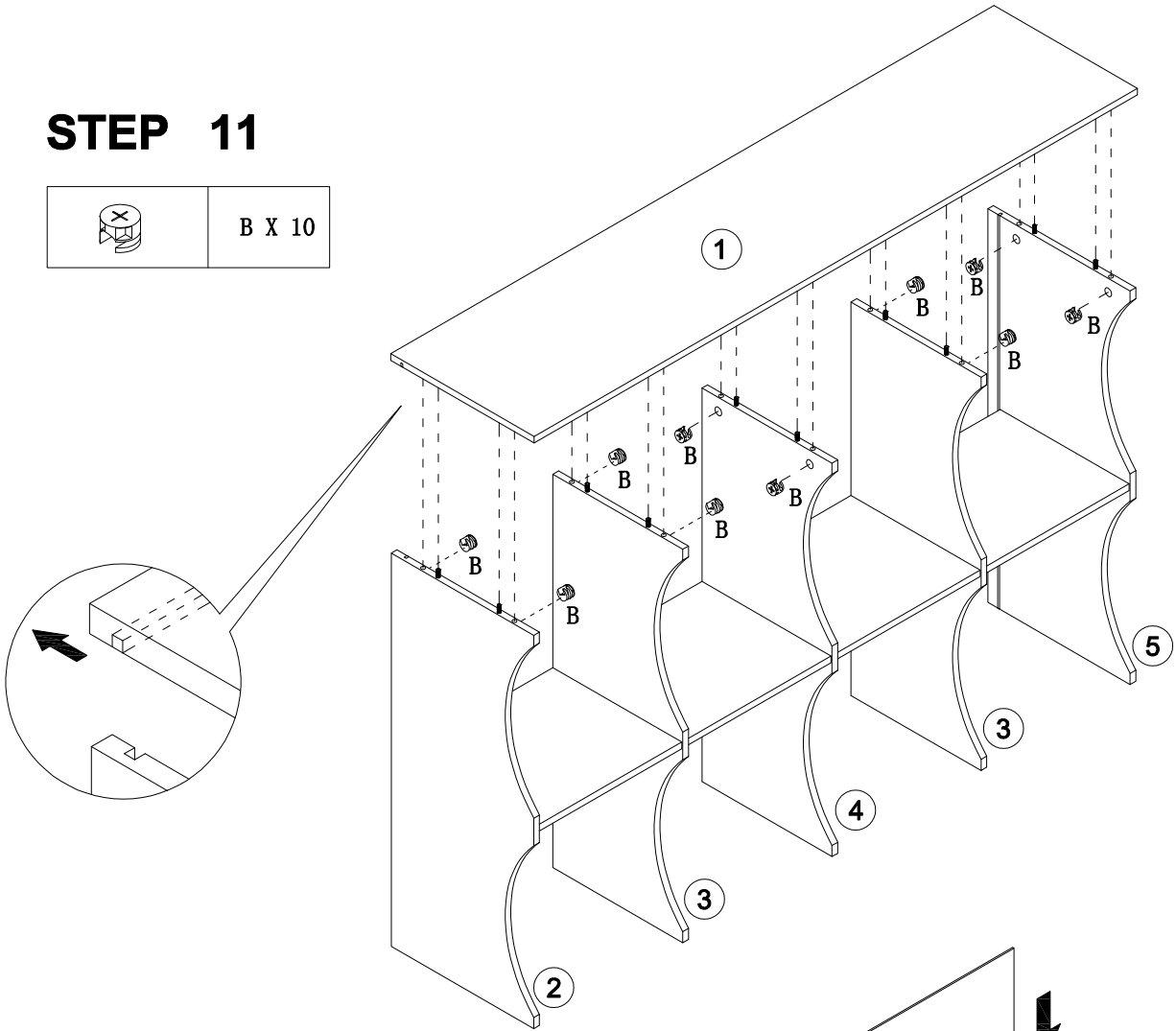
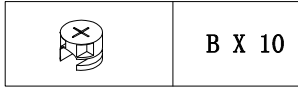
STEP 9



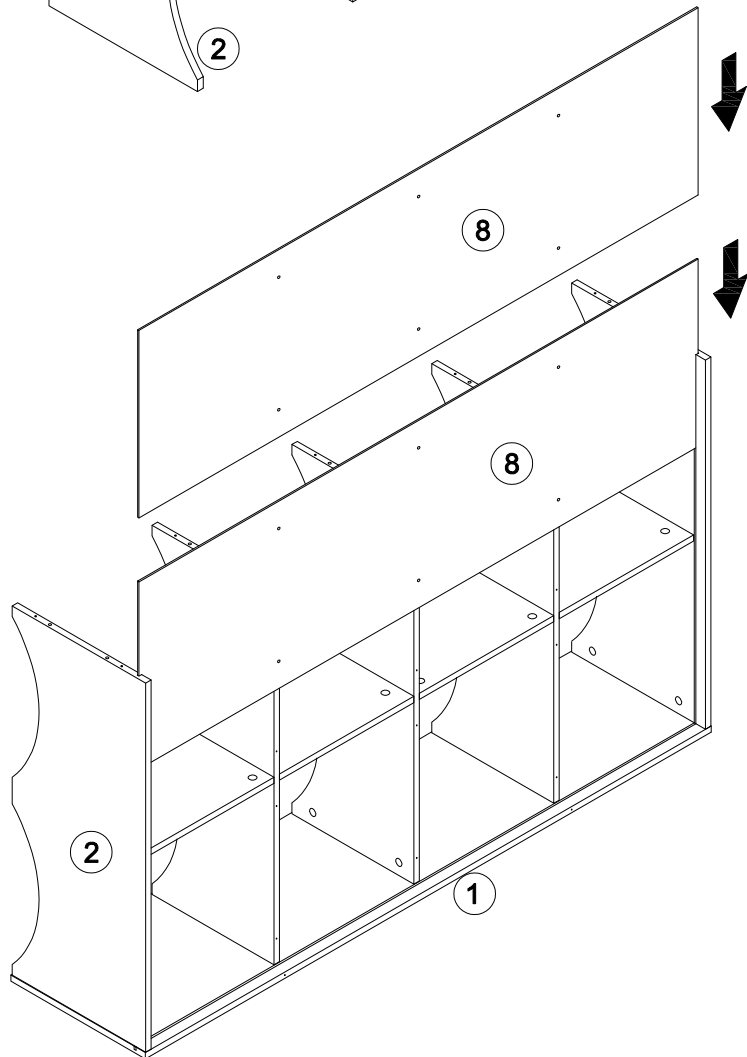
STEP 10

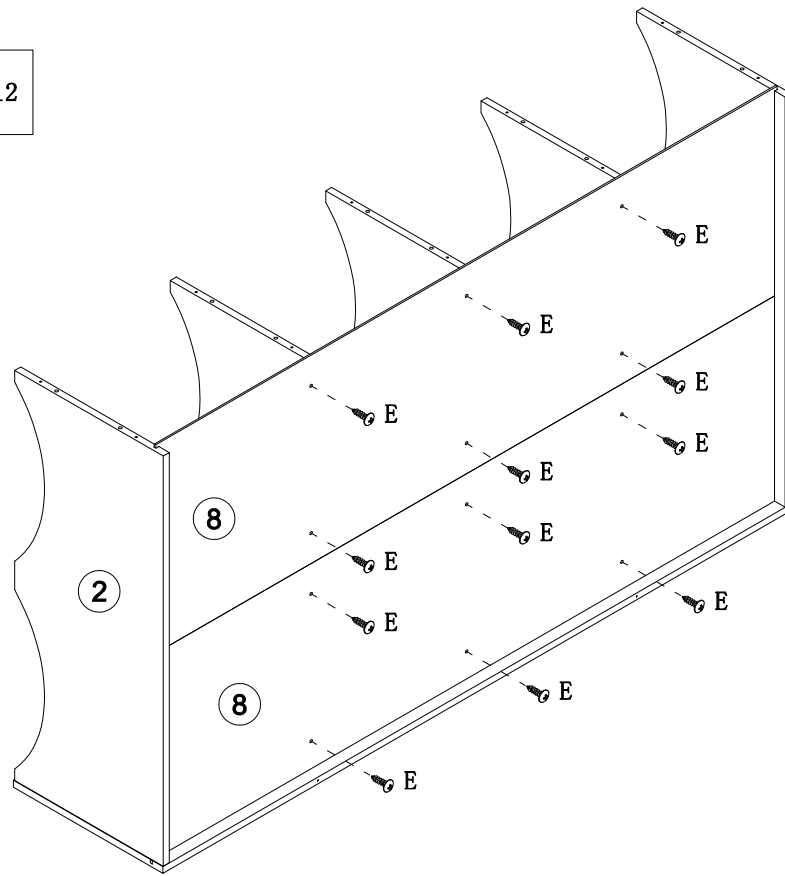
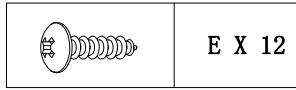
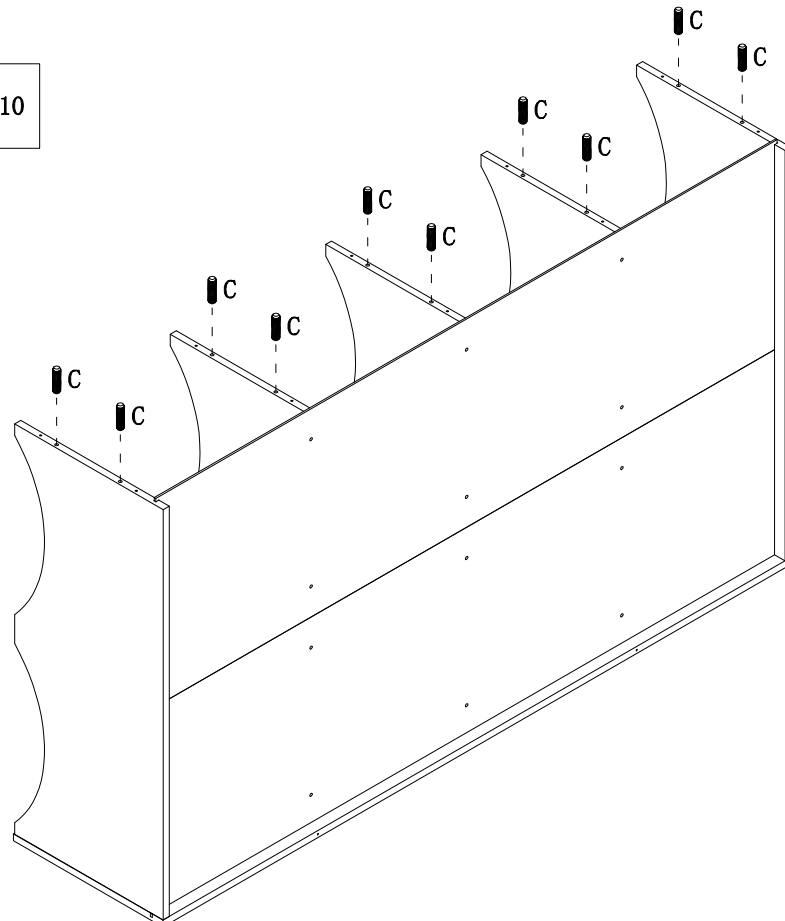
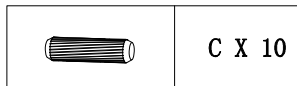


STEP 11

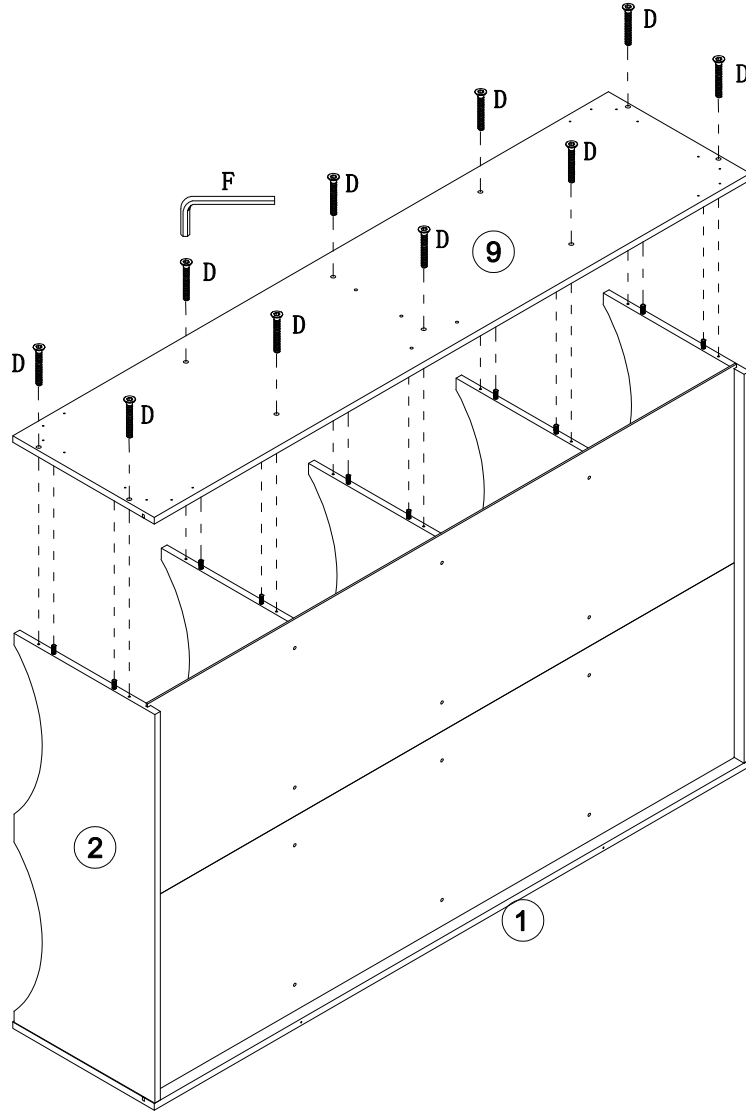
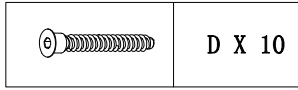


STEP 12

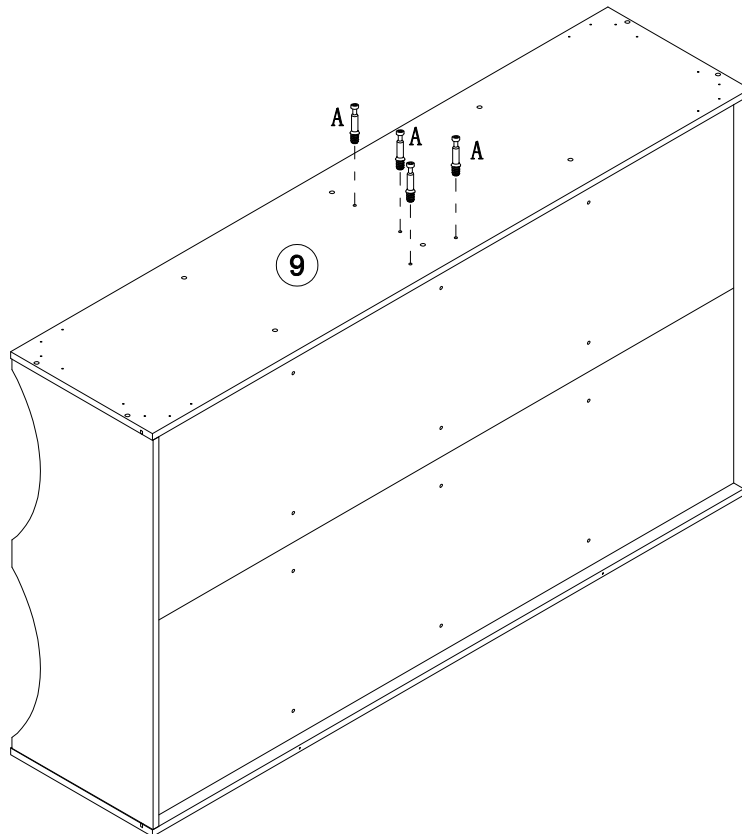
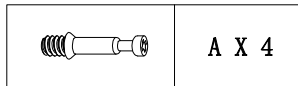


STEP 13**STEP 14**



STEP 15

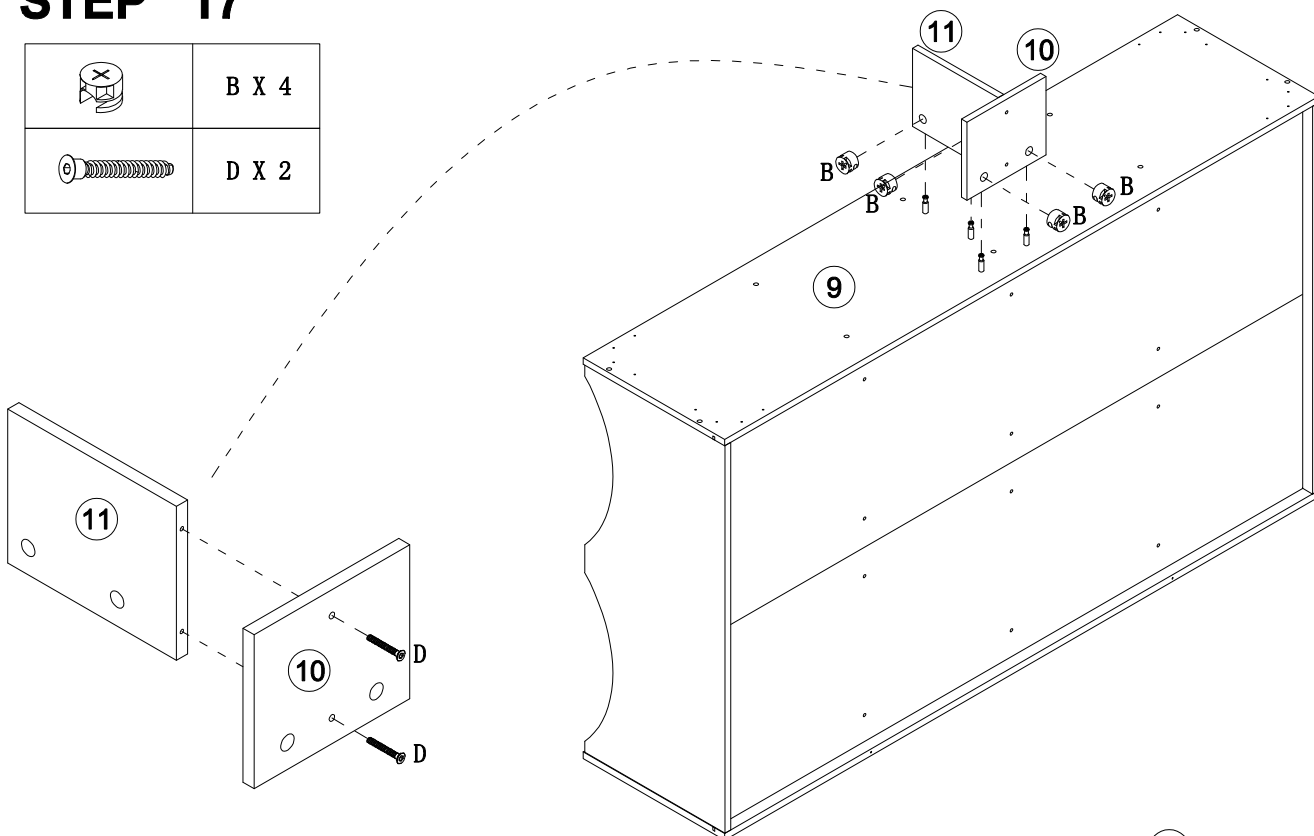


STEP 16




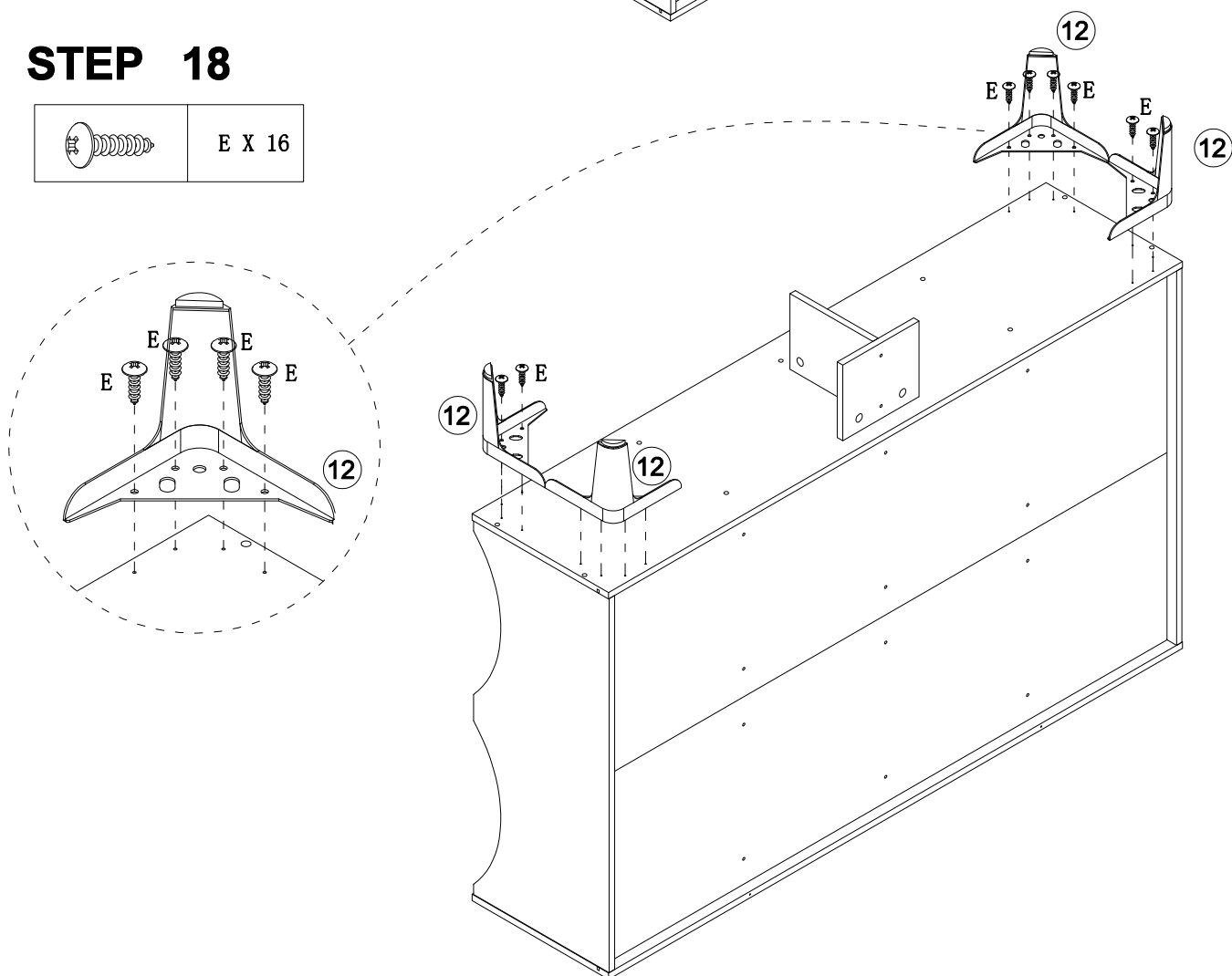
STEP 17

	B X 4
	D X 2







STEP 18

	E X 16
---	--------



STEP 19

	K X 2
	J X 2
	I X 2
	H X 2

