



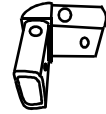
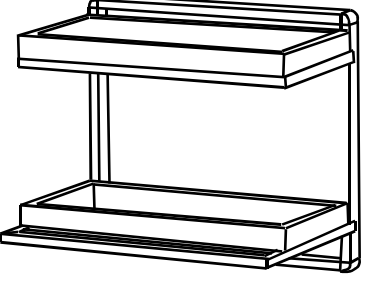





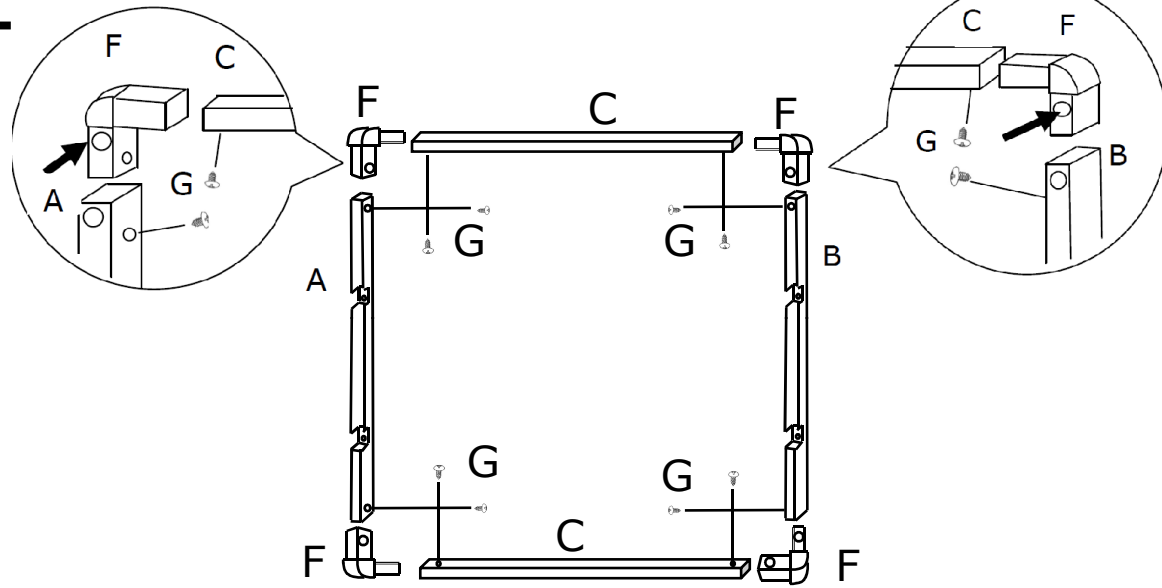
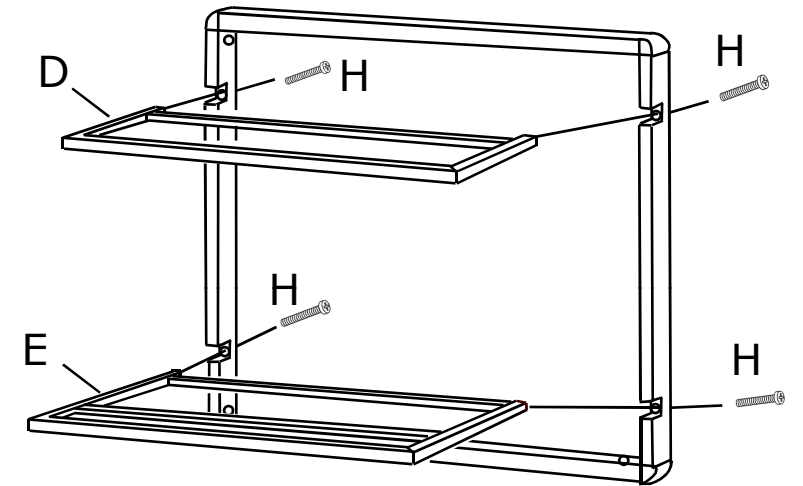
 A x 1	 B x 1	 C x 2	 D x 1	 E x 1	 F x 4	
 G x 8	 H x 4	 I x 2	 J x 2	 K x 2		

Weight capacity: 20 lbs

1



2



3

