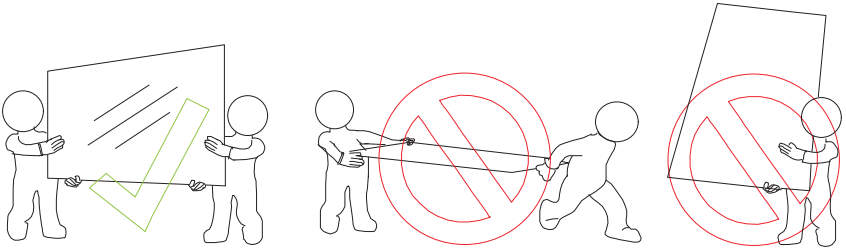
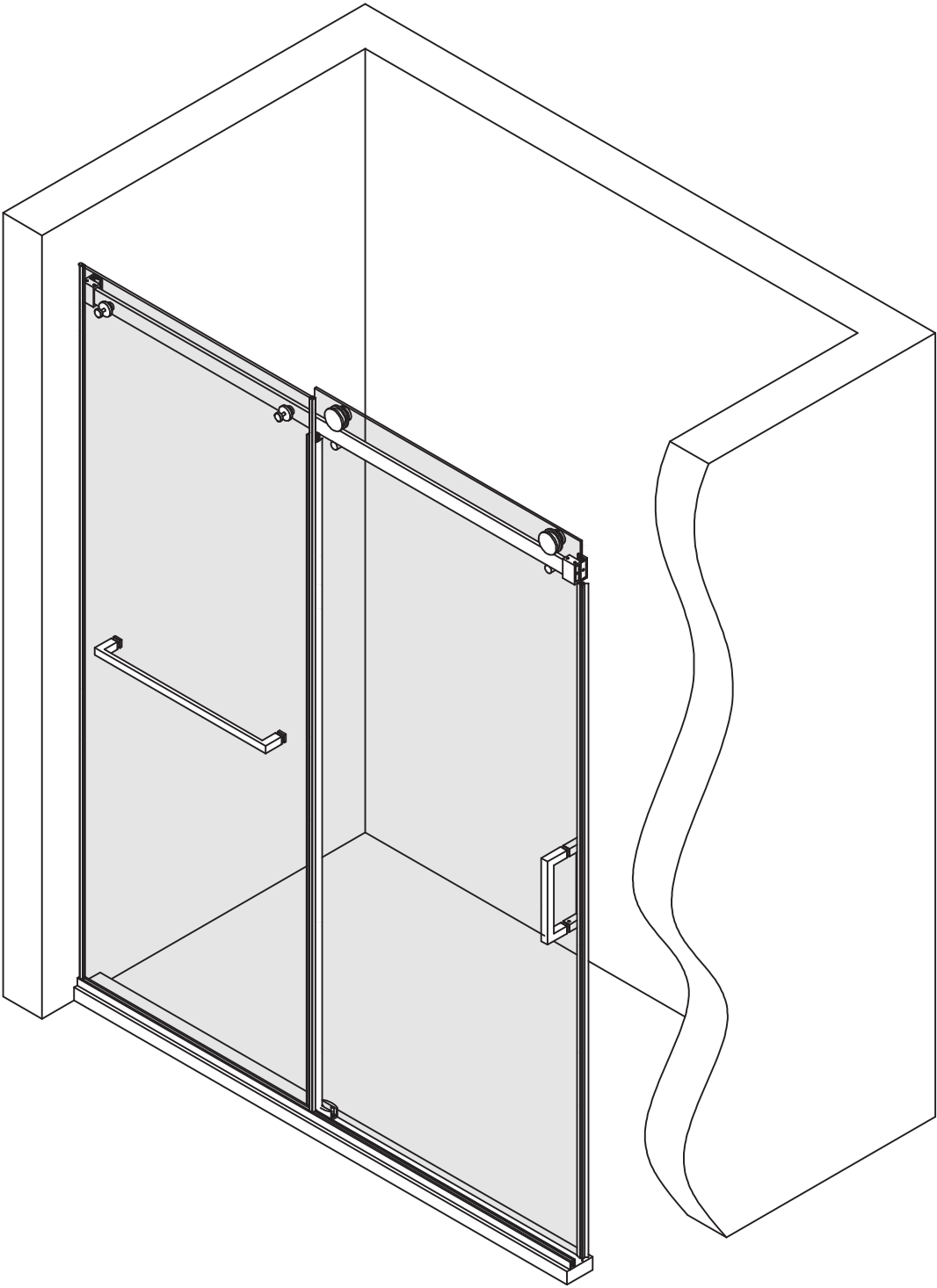

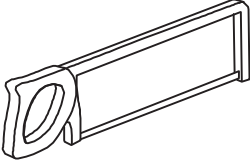
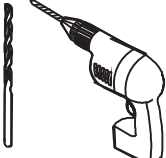
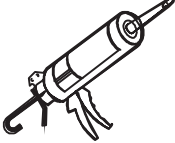
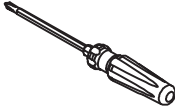

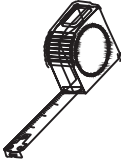





INSTALLATION MANUAL



NOTE: Installation Requires 2 People

Tools and Materials

		 ∅ 6mm 30 / 127" ∅ 8mm 20 / 127"		
Cutting Plier	Hack Saw	Drill	Caulk Gun	Screwdriver
				
Level	Tape Measure	Pencil	Allen Key	Mallet

Before You Begin

- ⚠ CAUTION: Risk of injury. Always wear safety glasses when cutting or drilling.
- ⚠ CAUTION: Risk of injury or product damage. Tempered glass cannot be cut.
 - Before starting the installation, lay out and identify the parts. Inspect them for damage.
 - The bath/shower or receptor should be installed/prepared at this time, including finished wall materials.

Installation on Tiled Surfaces

If your shower door will be installed over tiles, ensure the tiles are fully laid beneath the door frame.

Shower Door Care

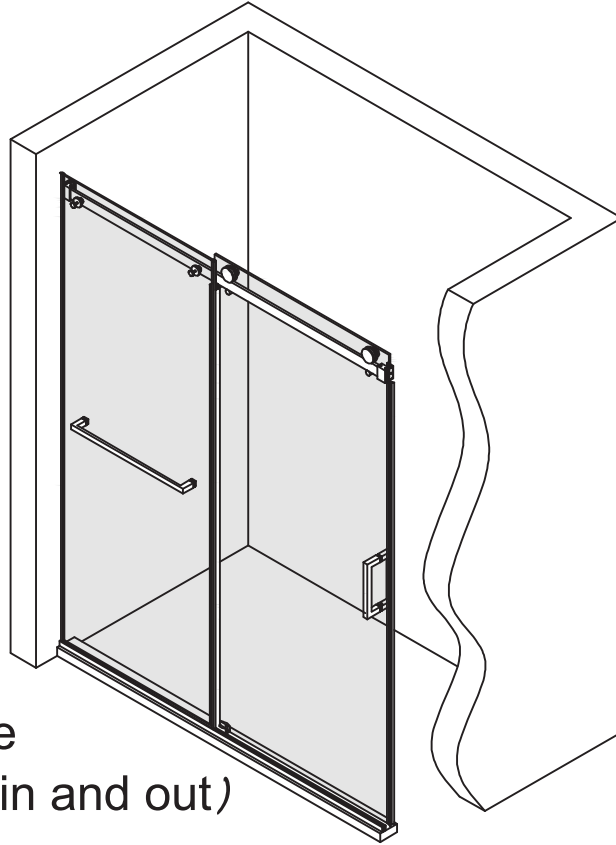
Do not use abrasive pads or sharp tools on any metal parts or glass surfaces.

To maintain a clean and like-new appearance, wipe with diluted mild soap and water.

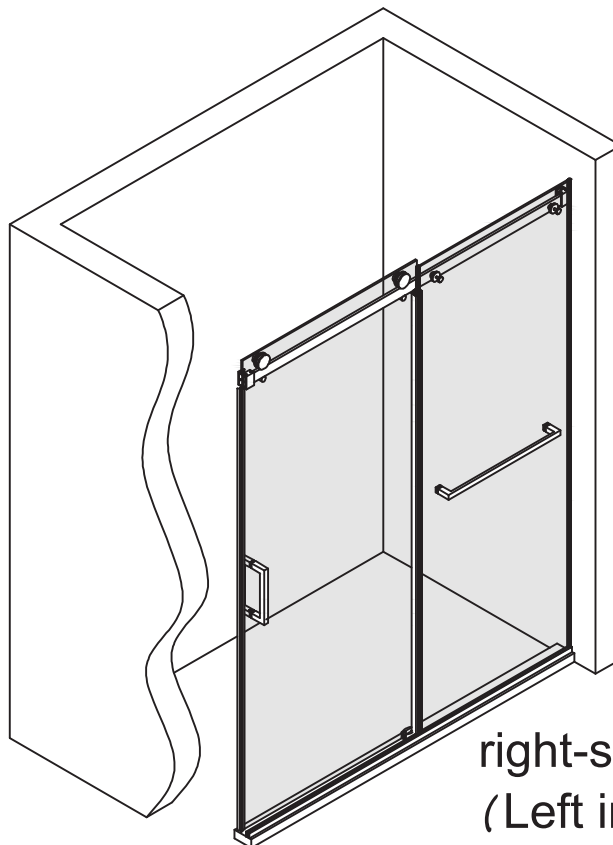
We recommend using a squeegee to dry the glass panels after each use.

Overall Installation displaying

The product can be installed in reverse.
The manual specifies the leftward direction.
For the rightward direction, mirror the installation.

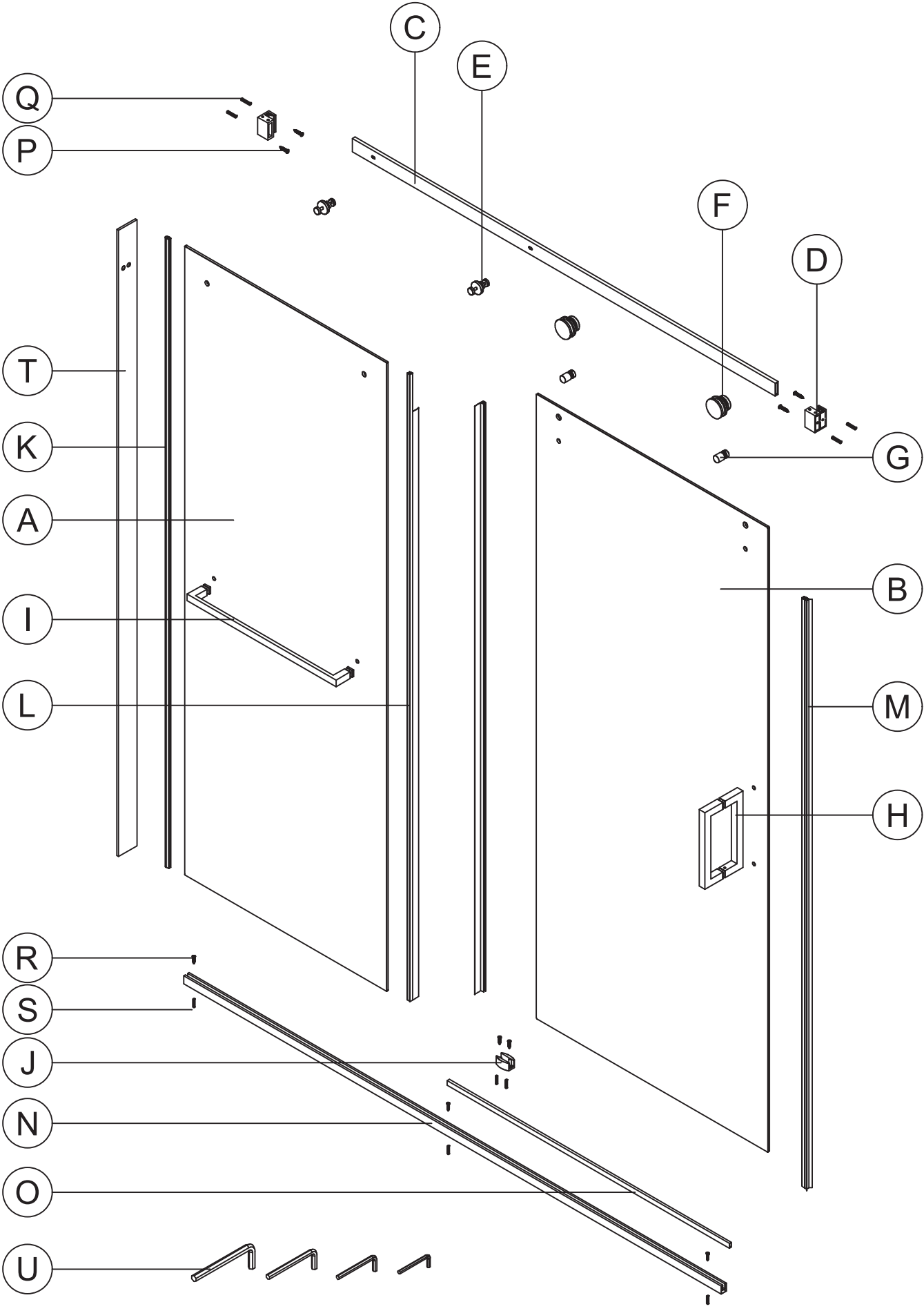


left-side
(Right in and out)

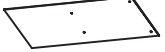











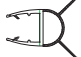






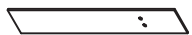



right-side
(Left in and out)

Detailed Diagram of Shower Door Components



Parts And Hardware Listing

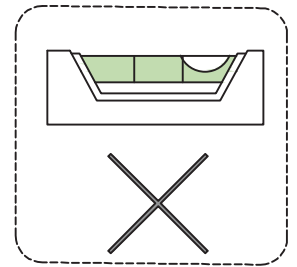
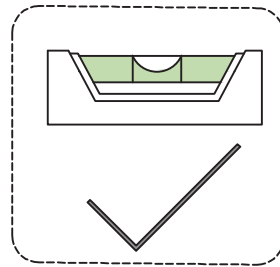
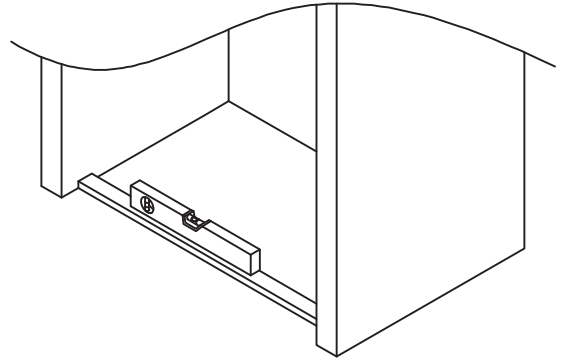
ITEM	NAME	QTY	PICTURE
(A)	Fixed Glass	1	
(B)	Activity Glass	1	
(C)	Upper guide rail	1	
(D)	10*40 anti-collision clamp wall mount	2	
(E)	Hanger mirror nail	2	
(F)	Pulley	2	
(G)	Anti-slip nail	2	
(H)	Shake hands	1	
(I)	Towel bar	1	
(J)	Slider	1	
(K)	Bubble tape	1	
(L)	Side water seal	2	
(M)	Door Glass Strip	1	
(N)	Stainless steel lower water	1	
(O)	Stainless steel lower water trim strip	1	
(P)	Fixing screws 5mm x 40mm	4	
(Q)	Hollow wall plugs 8mm x 40mm	4	
(R)	Fixing screws 4mm x 25mm	5	
(S)	Hollow wall plugs 6mm x 30mm	5	
(T)	Install template	1	
(U)	Allen key (2.5mm&3mm&4mm&5mm)	4	

STEP 1.1

Measure the on-site installation conditions and adjust

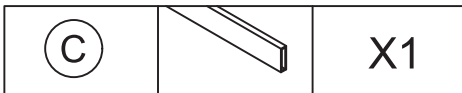


The installation shown is based on plumb finished walls and a levelled Base. If these conditions are not met, please adjust accordingly.



STEP 1.2

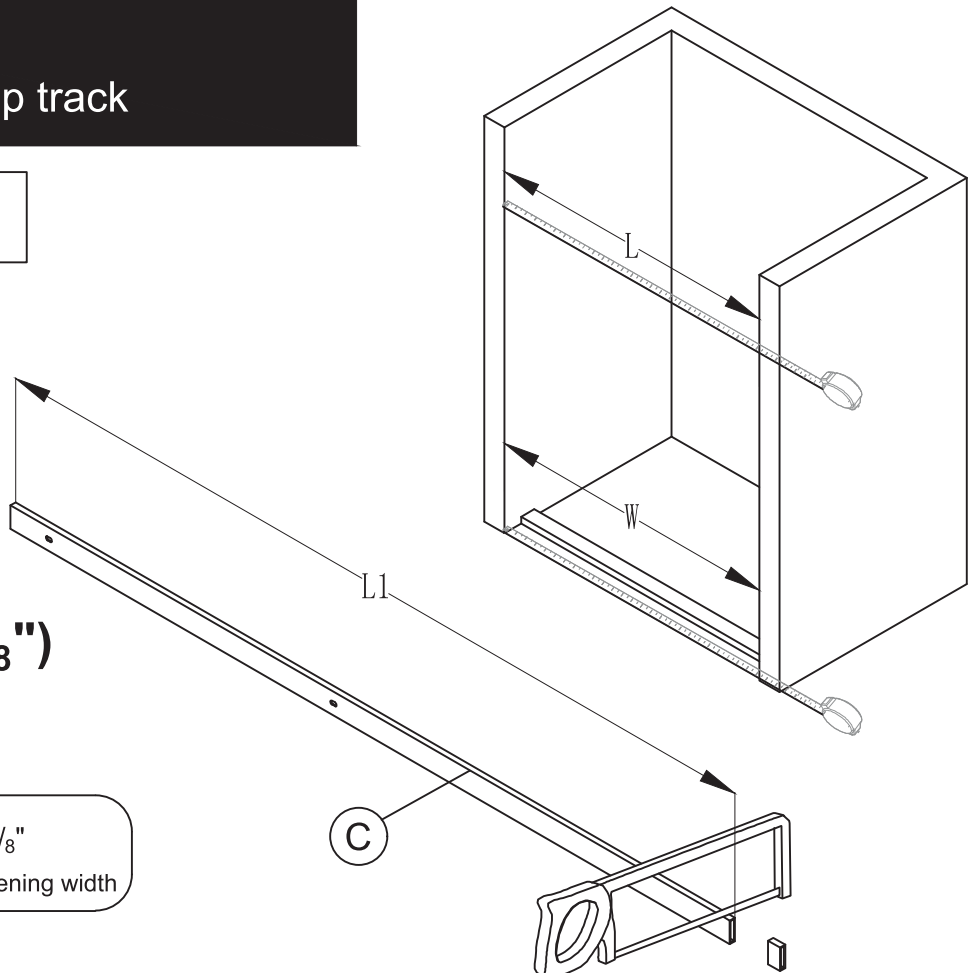
Measure and cut the top track



$$L1 = L - 28\text{mm} (1 \frac{1}{8} \text{")}$$







Cut the top track $1 \frac{1}{8}$ " (28mm) shorter than the opening width



STEP 2

Measure and cut the bottom track

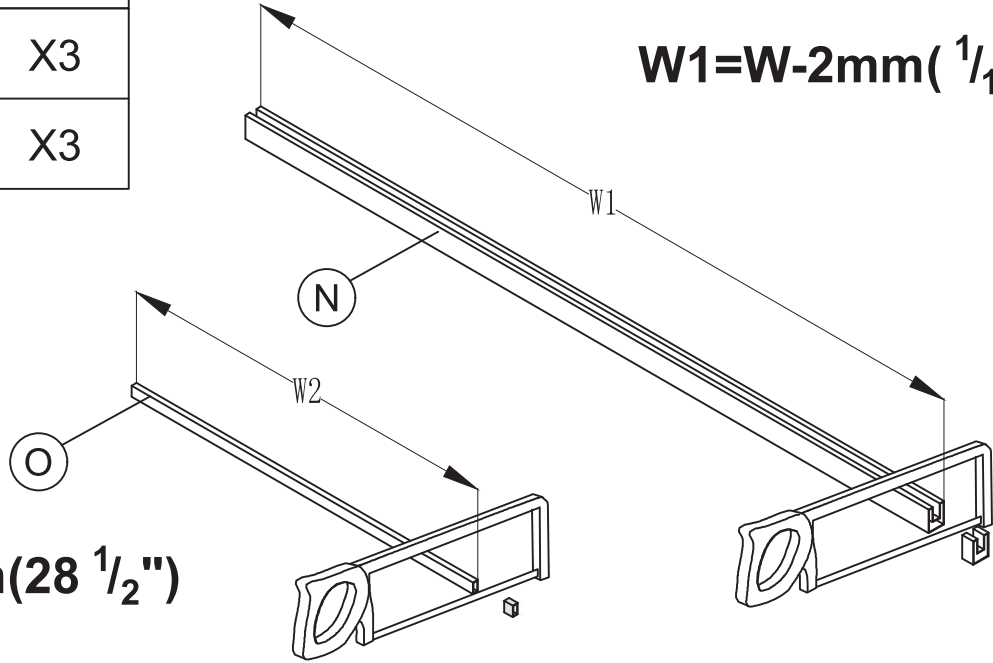
(N)		X1
(O)		X1
(R)		X3
(S)		X3



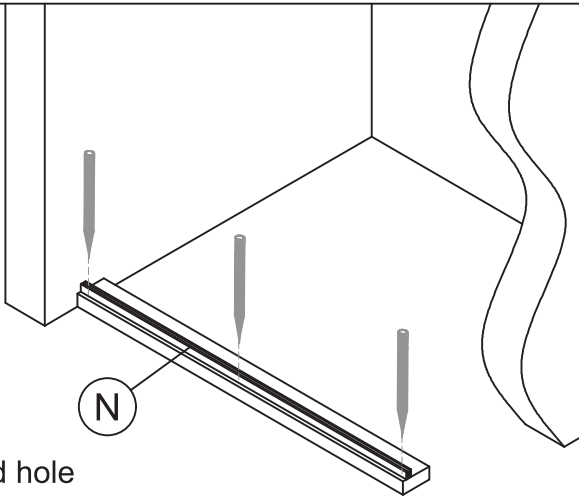
Cut the bottom track $\frac{1}{16}$ "
(2mm) Shorter than the opening width

$$W1 = W - 2\text{mm} (\frac{1}{16}'')$$

$$W2 = W - 724\text{mm} (28 \frac{1}{2}'')$$



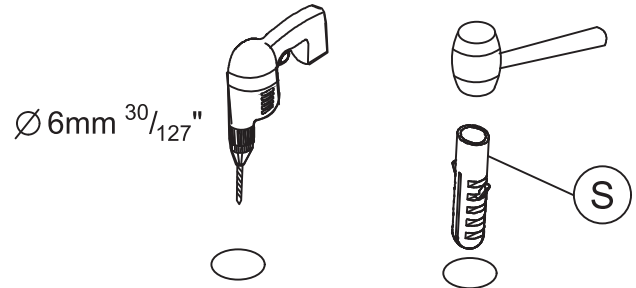
2-1



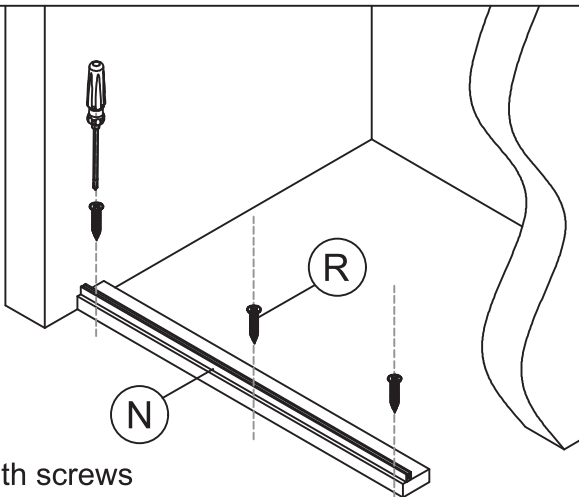
Mark fixed hole

2-2

Drill holes in the marked positions
and insert the expansion particles
(6mm $\frac{30}{127}$ ")

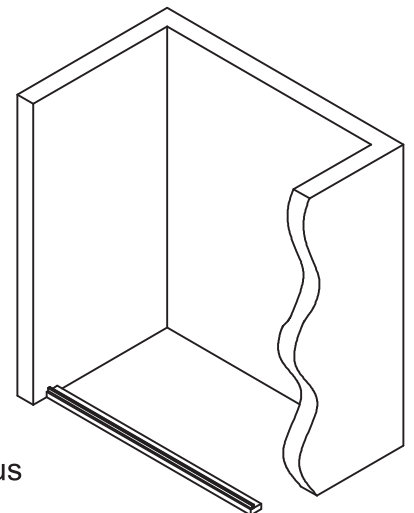


2-3



Secure with screws

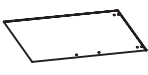

2-4

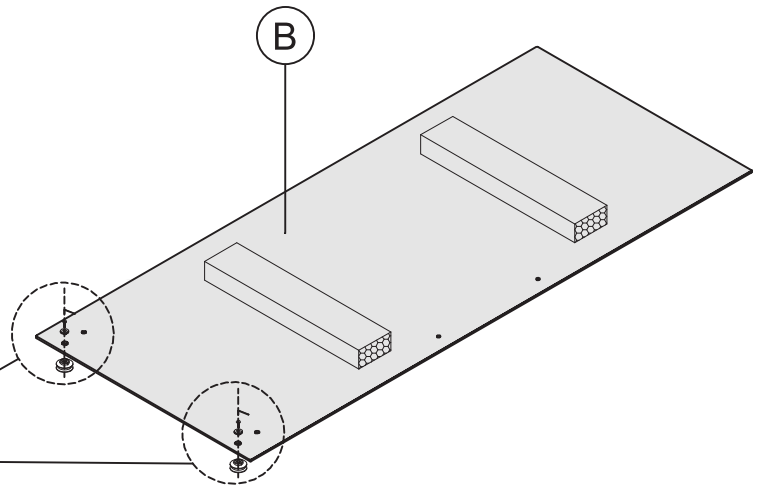
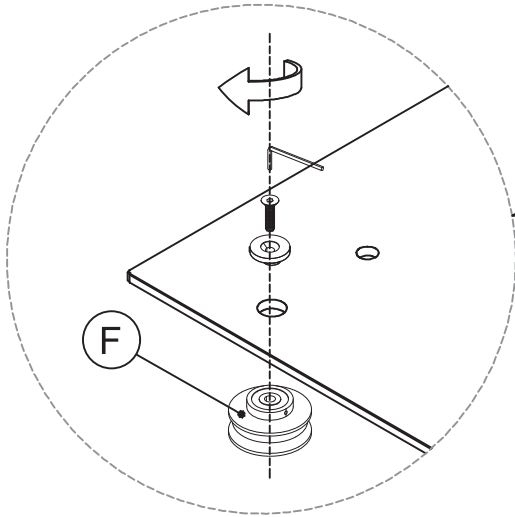


Completion status

STEP 3.1

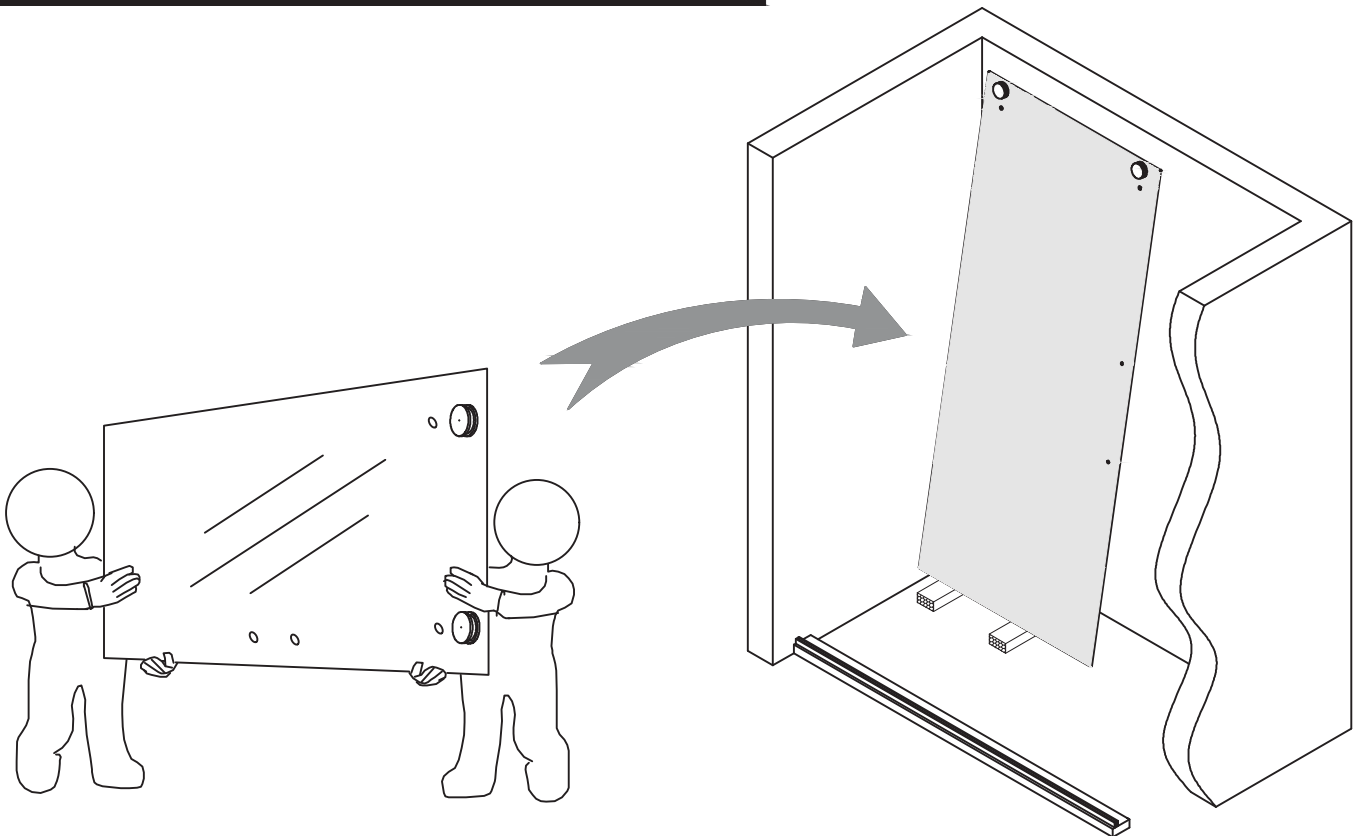
Install the pulleys on the movable glass

(B)		X1
(F)		X2



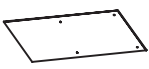




STEP 3.2

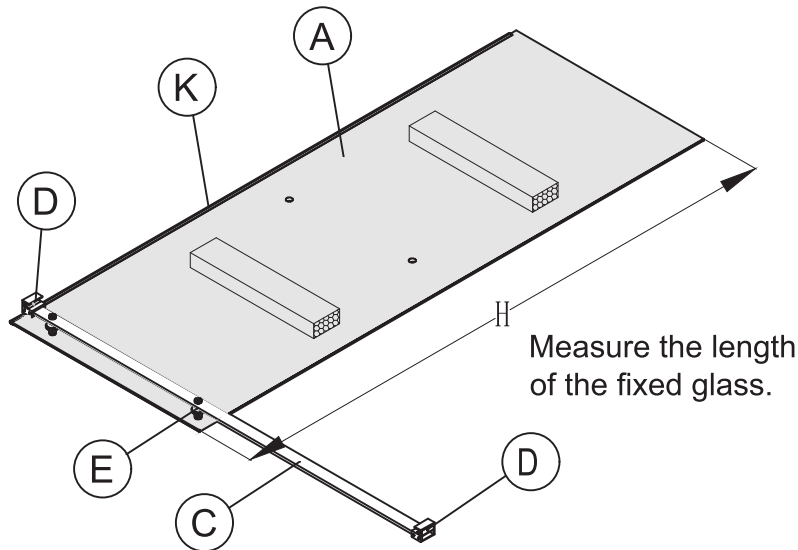
Move the movable glass into the shower enclosure



STEP 4

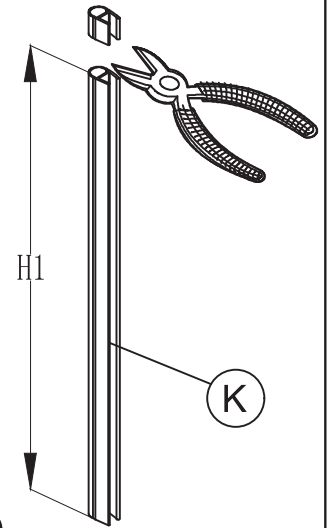
Assemble accessories on the fixed glass

(A)		X1
(C)		X1
(E)		X2
(K)		X1
(D)		X2

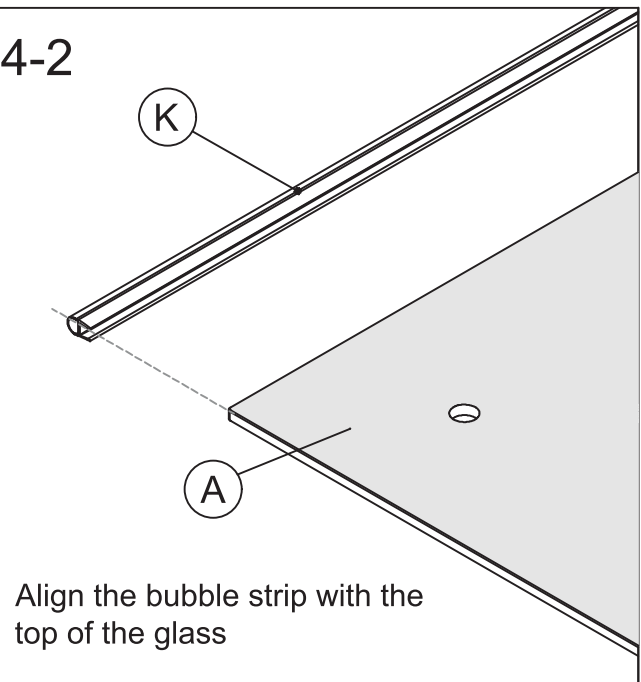


4-1

$$H1 = H - 12\text{mm} \left(\frac{1}{2}'' \right)$$

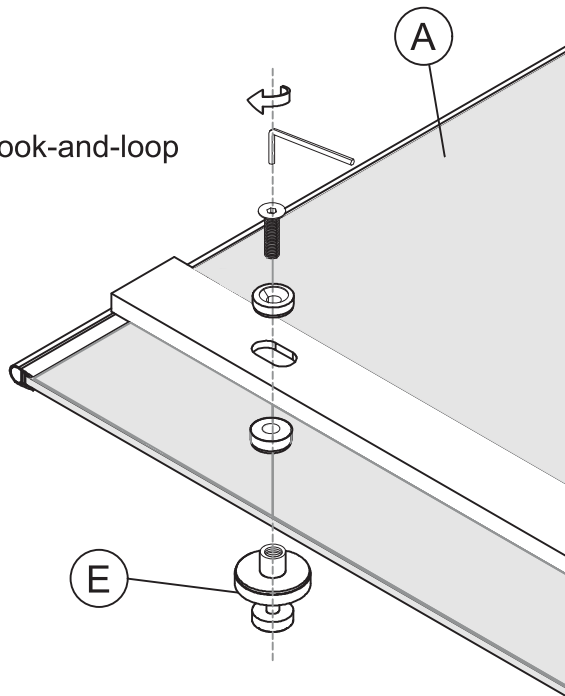


4-2



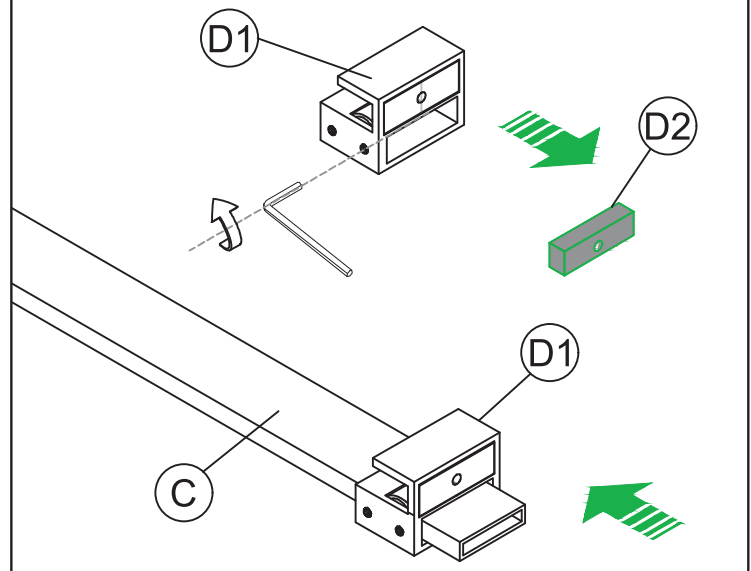
4-3

Install a hook-and-loop mirror pin



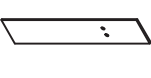


4-4

Remove the mounting components of the wall lock and slide it onto the upper guide rail

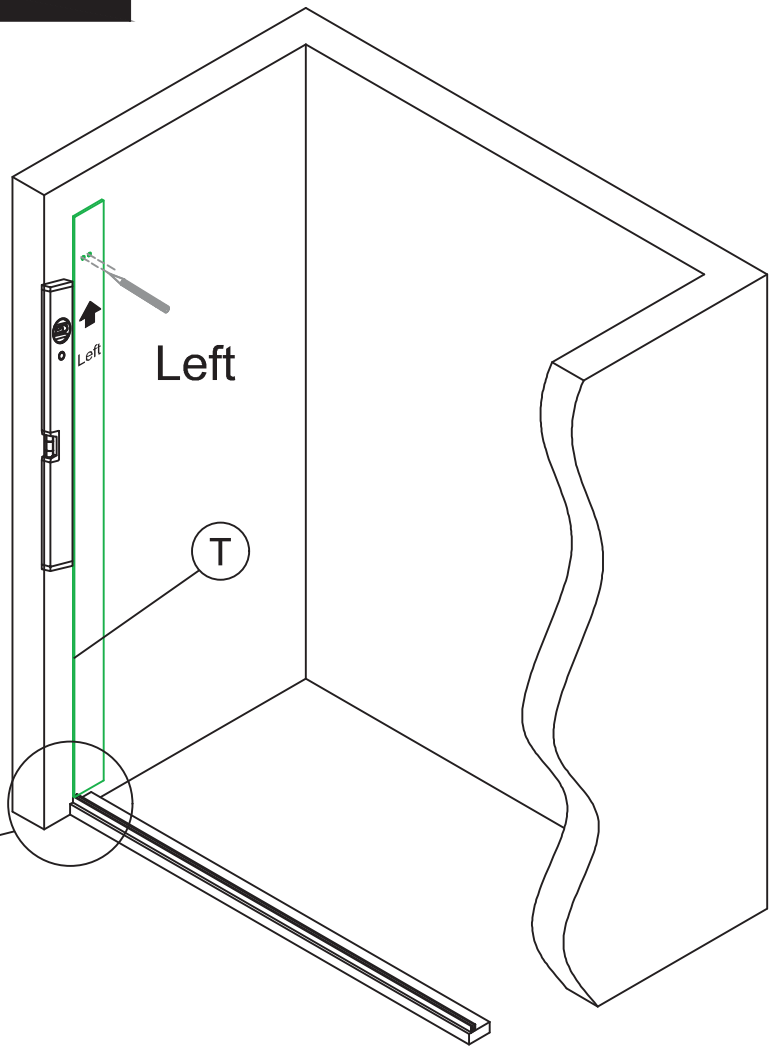
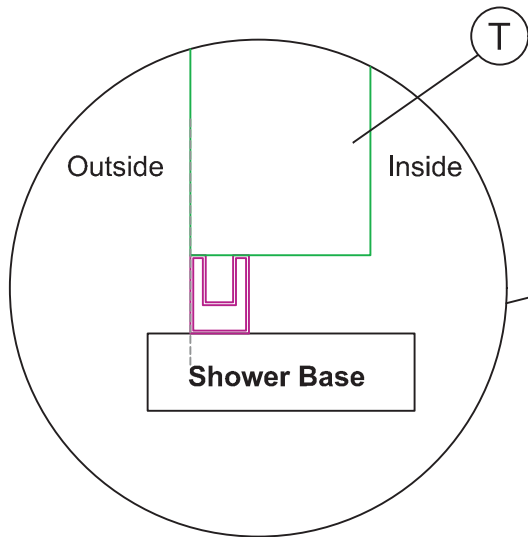


STEP 5

Install left wall bracket fixing parts

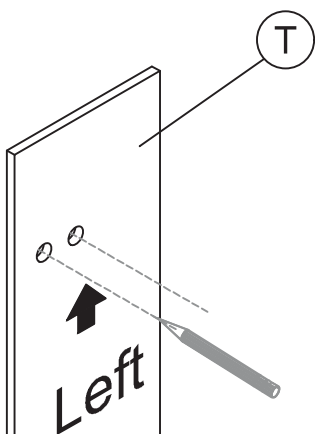
(T)		X1
(P)		X1
(Q)		X1

Install the template on the left wall, align the stainless steel water barrier, and ensure it remains level



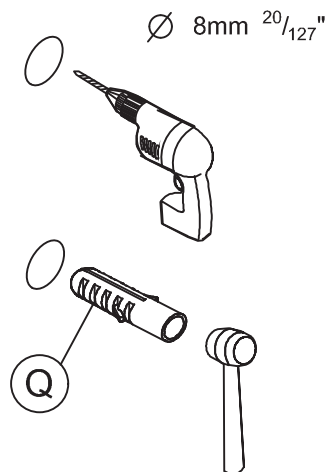
5-1

Mark the position of the fixed hole on the template



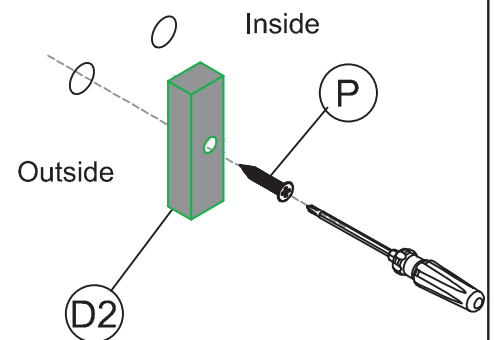
5-2

Drill holes in the marked positions and insert the expansion particles (8mm 20/127")



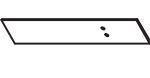


5-3

Install the mounting bracket for the wall bracket

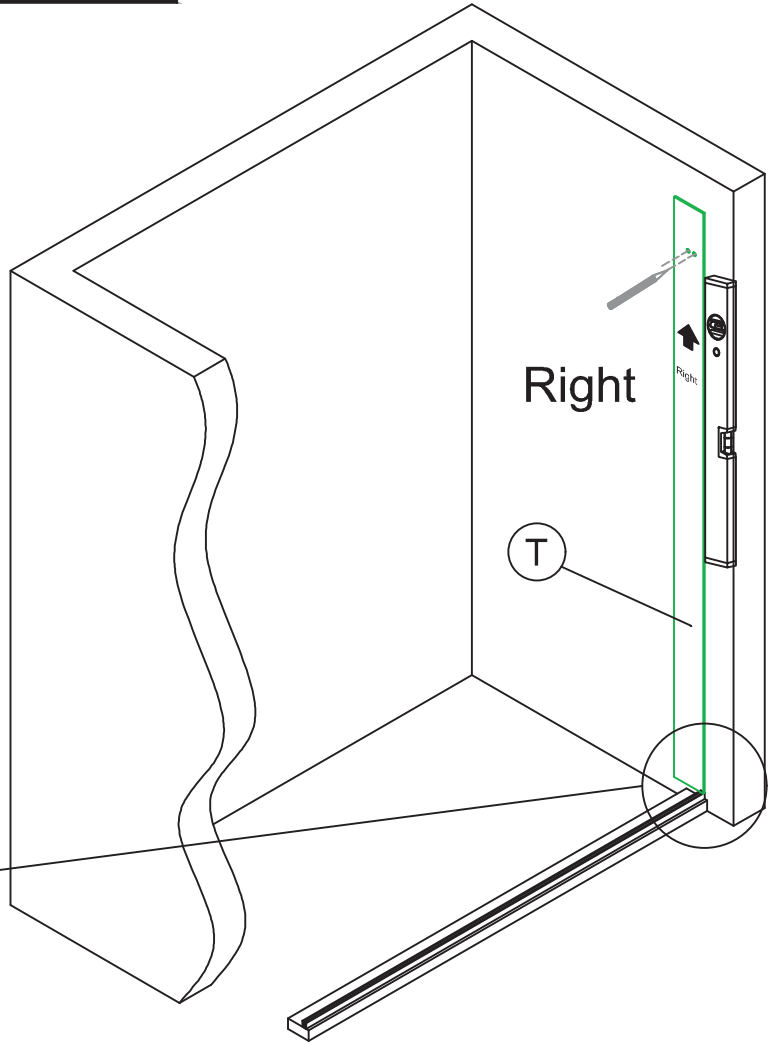
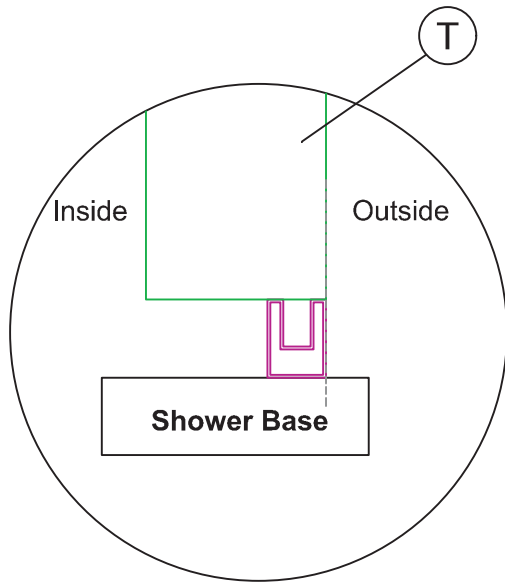


STEP 6

Install right wall bracket fixing parts

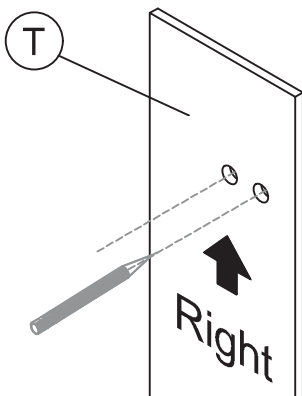
(T)		X1
(P)		X1
(Q)		X1

Install the template mirror on the right wall, and ensure the stainless steel water barrier is level and flush



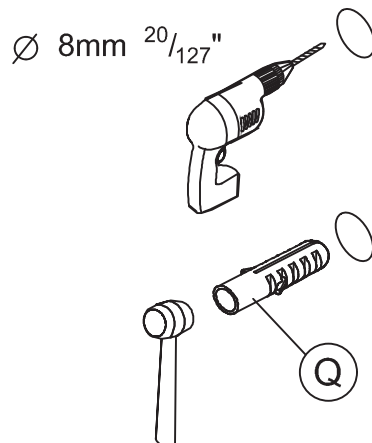
6-1

Place the installation template mirror on the right and mark the fixed hole positions on the template



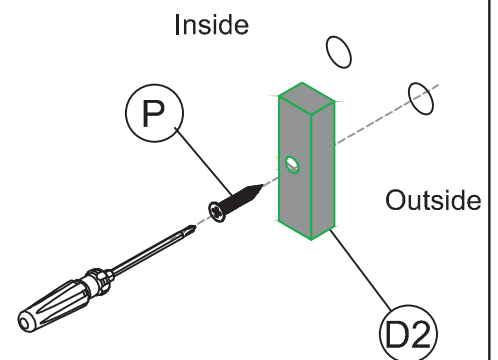
6-2

Drill holes in the marked positions and insert the expansion particles (8mm 20/127")





6-3

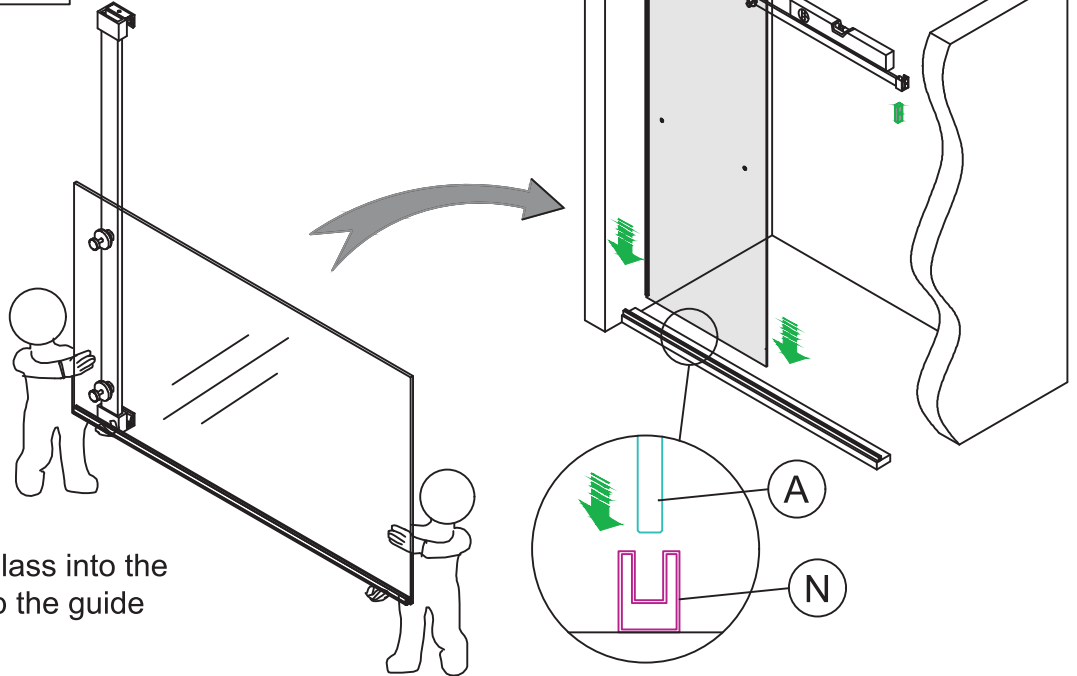
Install the mounting bracket for the wall bracket



STEP 7

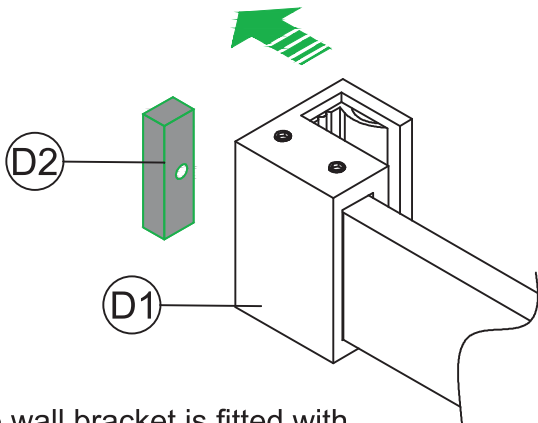
Install the fixed glass bottom water stop

(P)		X1
(Q)		X1



Insert the assembled fixed glass into the lower water barrier and keep the guide rail horizontal

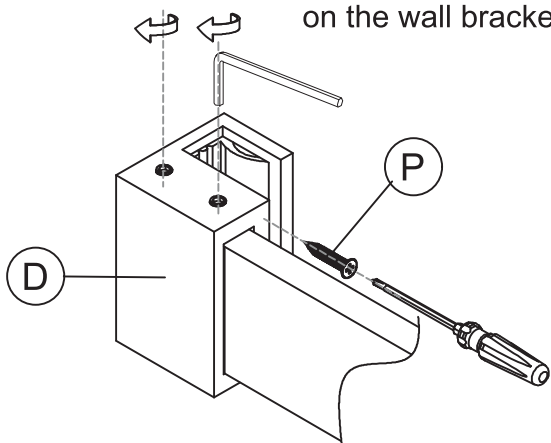
7-1



The wall bracket is fitted with the fixed accessory


7-2

Torque the top screws on the wall bracket

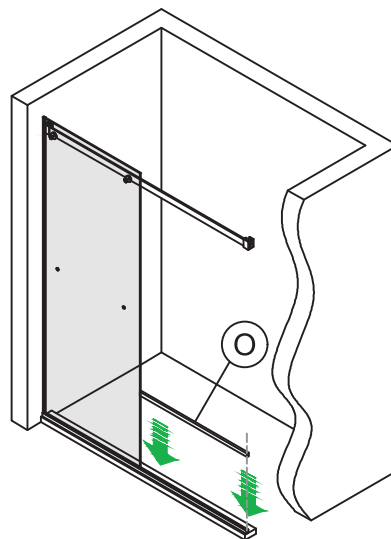


STEP 8

Install the decorative water stop strip

(O)		X1
-----	--	----

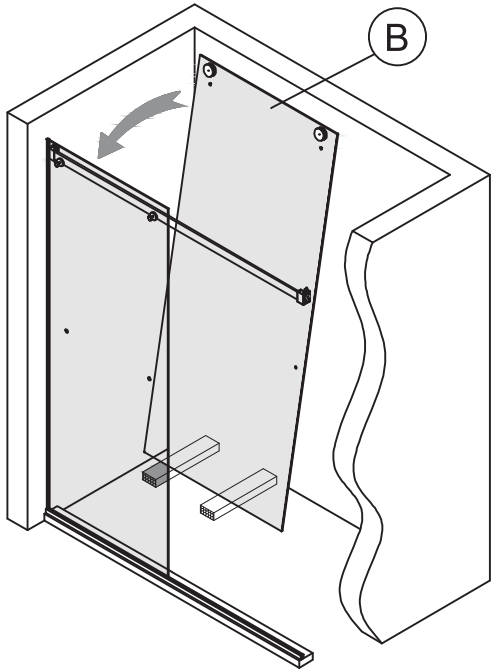
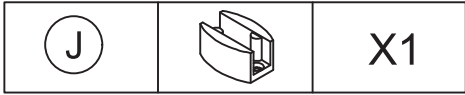
Bottom surface



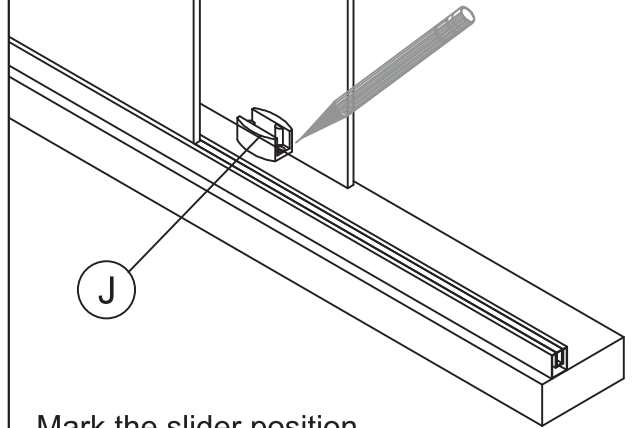
Apply silicone sealant to the bottom of the stainless steel lower water barrier trim and snap it into the groove

STEP 9

Mark the slider position

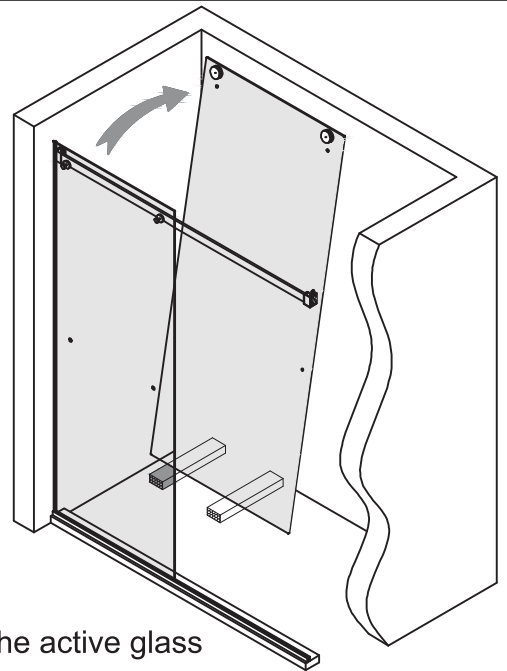


9-2



Mark the slider position

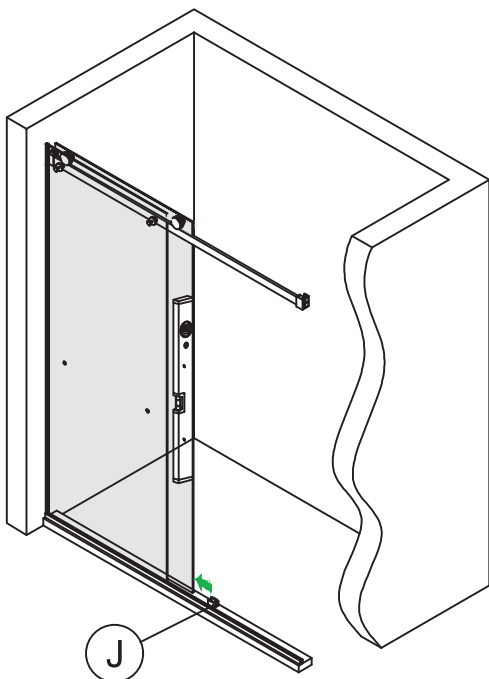
9-3



Move the active glass

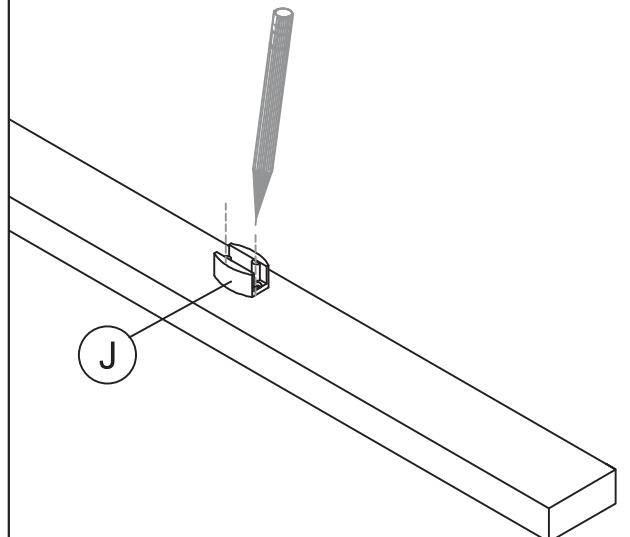
9-1

Keep the movable glass horizontal and vertical to the ground, and insert the slider



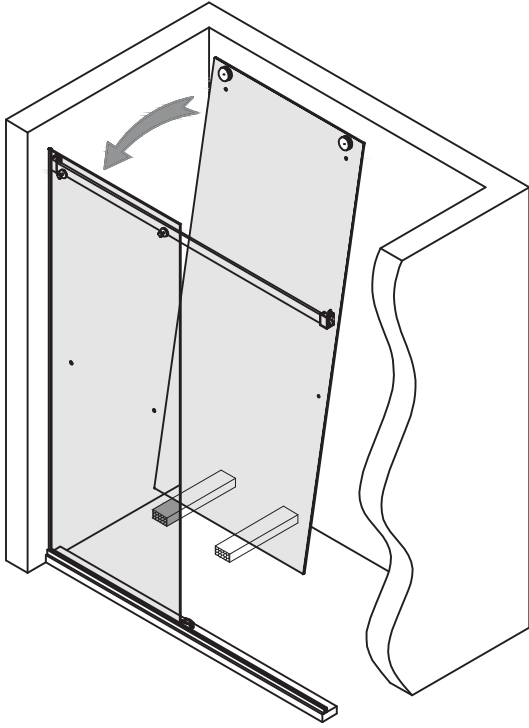
9-4

Place the slider at the mark position and fix the mark hole

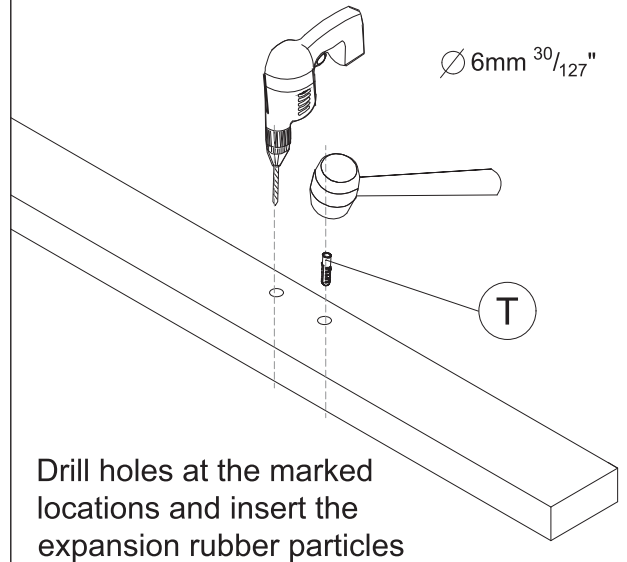


STEP 10

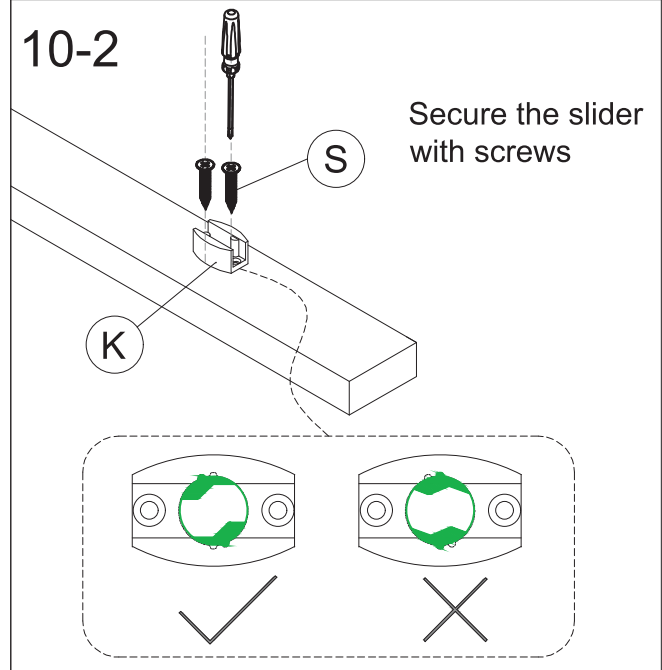
Install the slider and movable glass



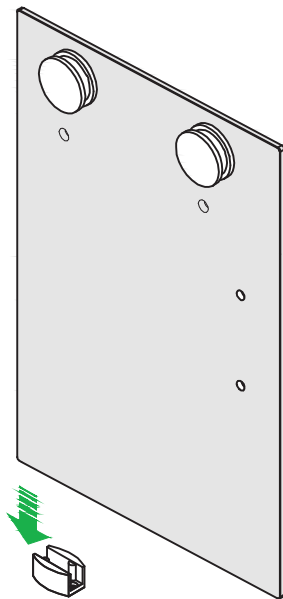
10-1



10-2



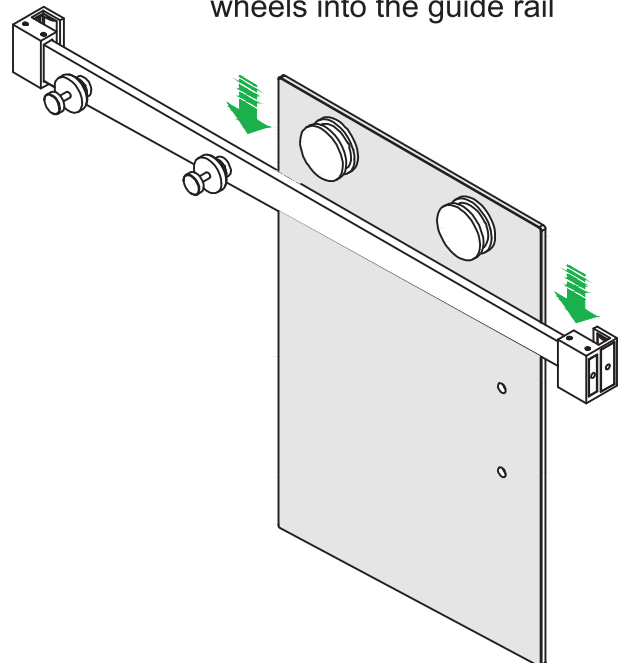
10-3



Install the sliding glass and snap it into the slider



10-4

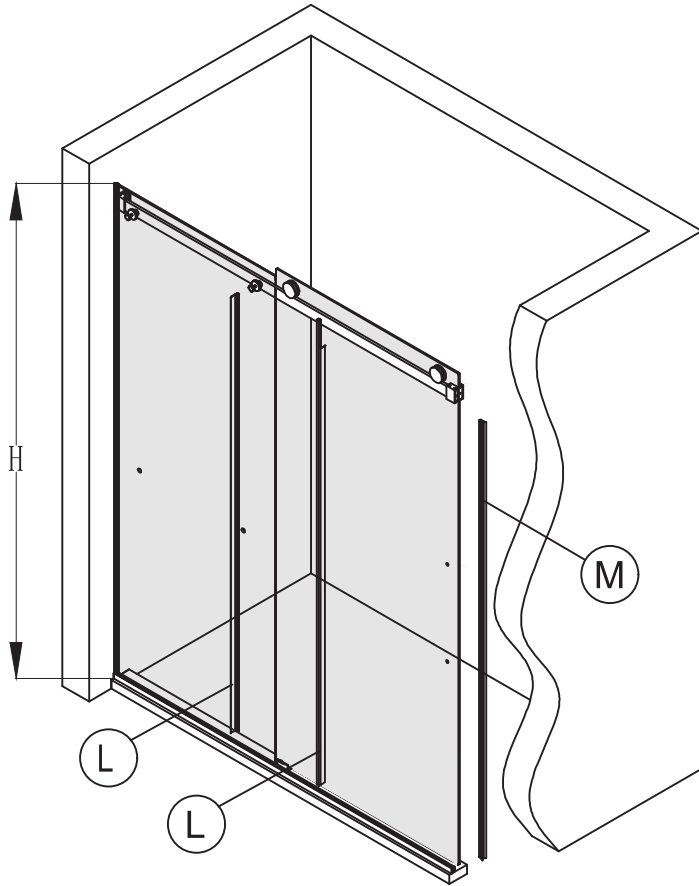
Install the sliding glass and slide the wheels into the guide rail



STEP 11

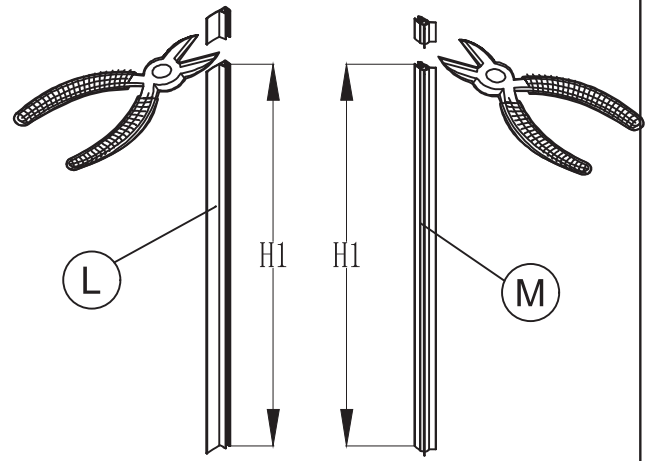
Install the seal strips

(L)		X2
(M)		X1



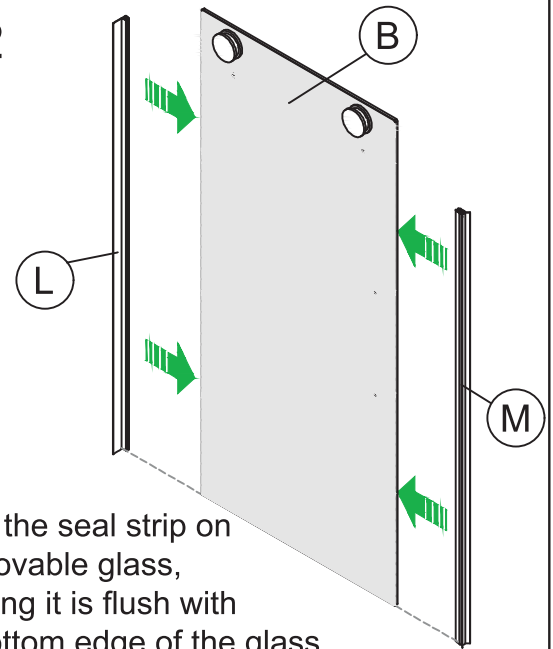
Measure the height of the shower enclosure

11-1 $H1 = H - 112\text{mm} (4 \frac{7}{16} \text{")}$



cut seal strip to calculated length (H1)

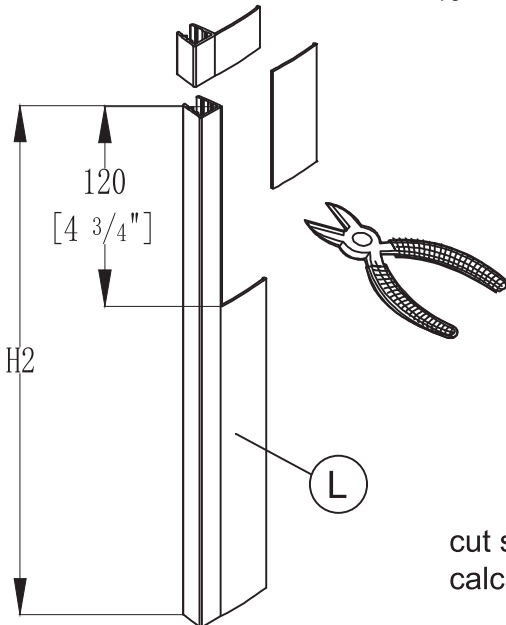
11-2



Install the seal strip on the movable glass, ensuring it is flush with the bottom edge of the glass

11-3

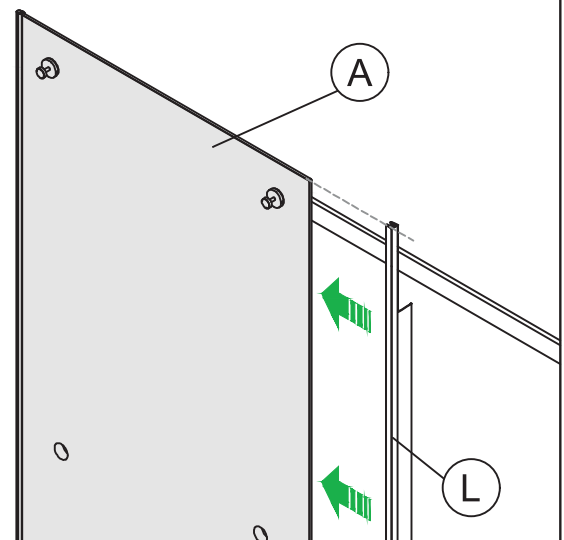
$H2 = H - 20\text{mm} (\frac{13}{16} \text{")}$



cut seal strip to calculated length (H2)


11-4

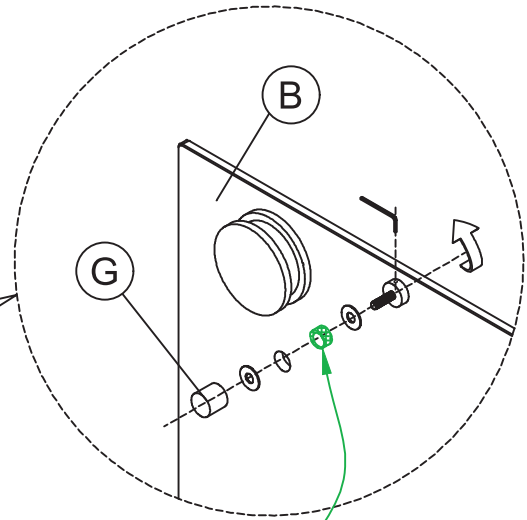
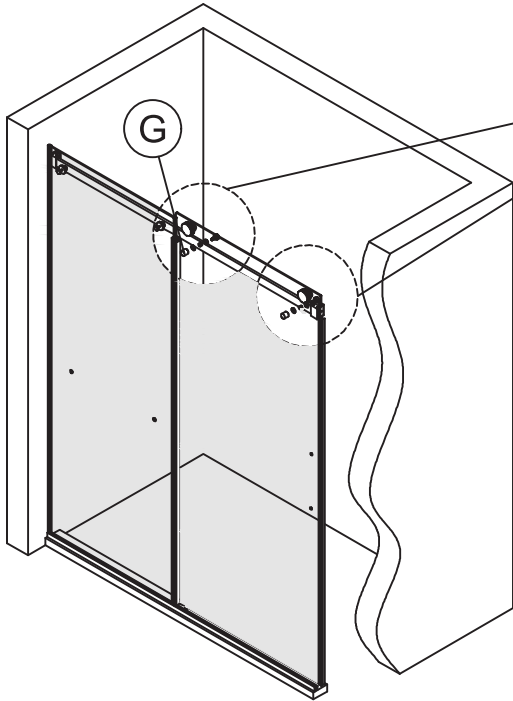
Align the gasket on the fixed glass with the top of the glass; align the gasket on the operable glass with the top of the glass



STEP 12

Install the anti-jump pins

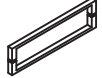

G		X2
---	---	----

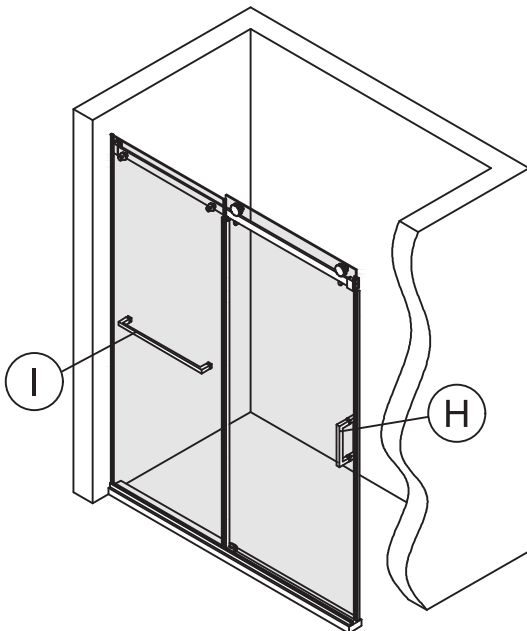


Install the anti-jump nail and adjust the height through the eccentric rubber particles

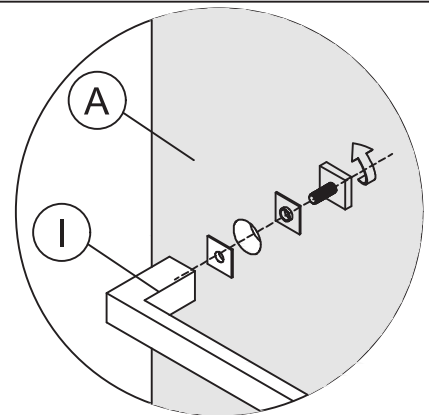
STEP 13

Install the handle and towel bar

H		X1
I		X1

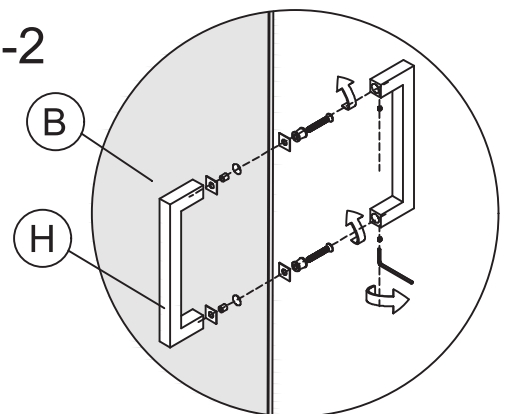


13-1



Install towel bar on the fixed glass

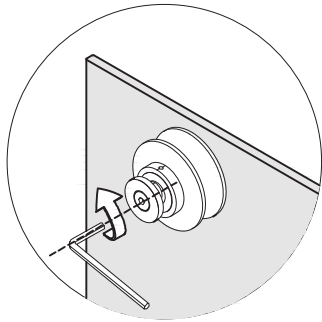
13-2



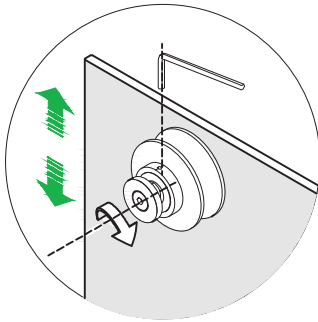
Install the handle on the active glass

STEP 14

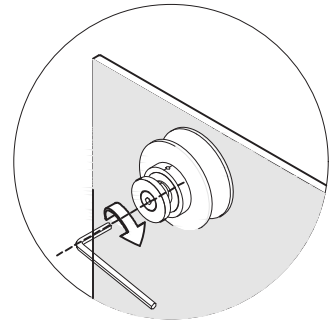
Adjust the movable glass to be level and vertical



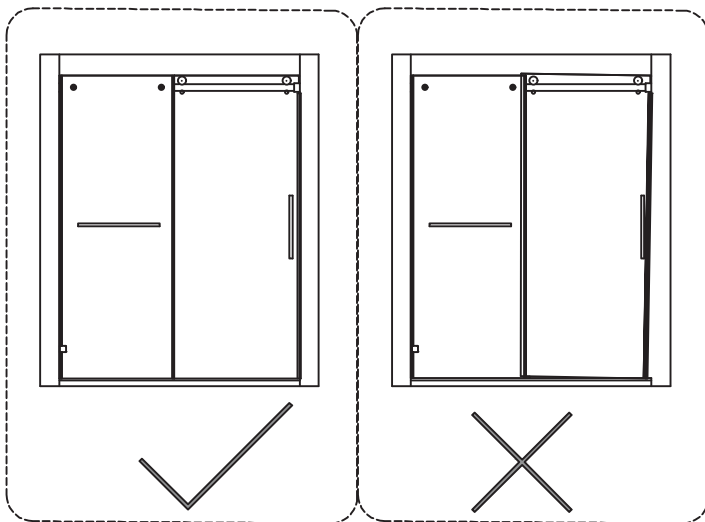
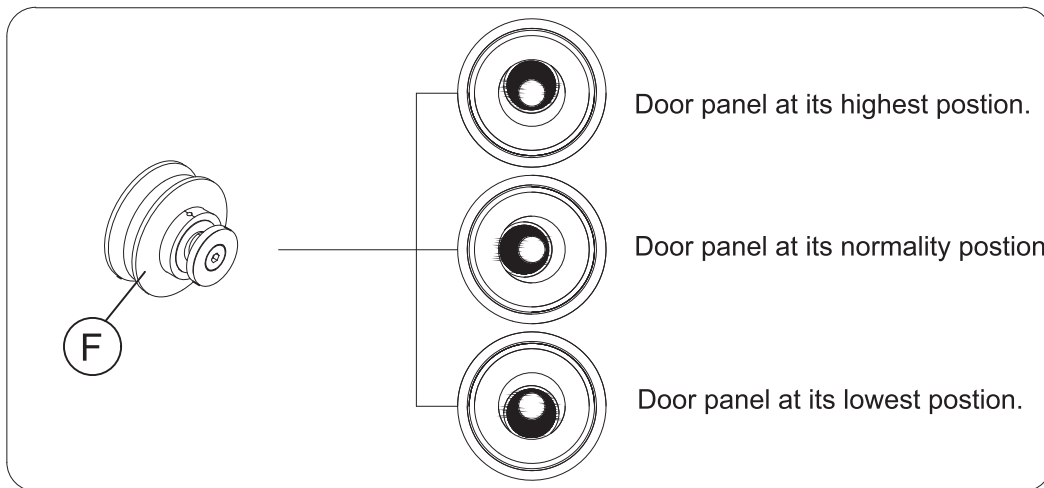
Loosen the screws



adjust the eccentric wheel to make the movable glass flush with the wall

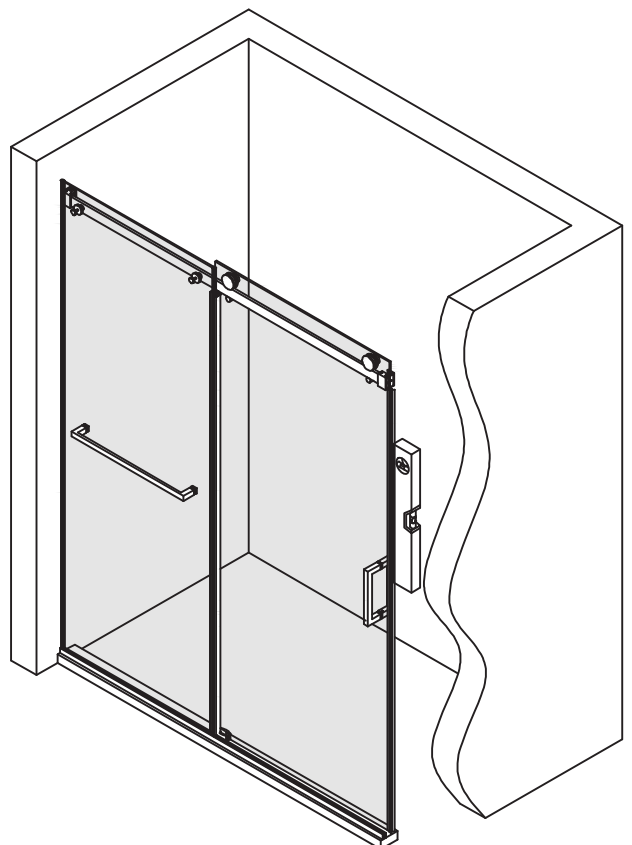


tighten the screws

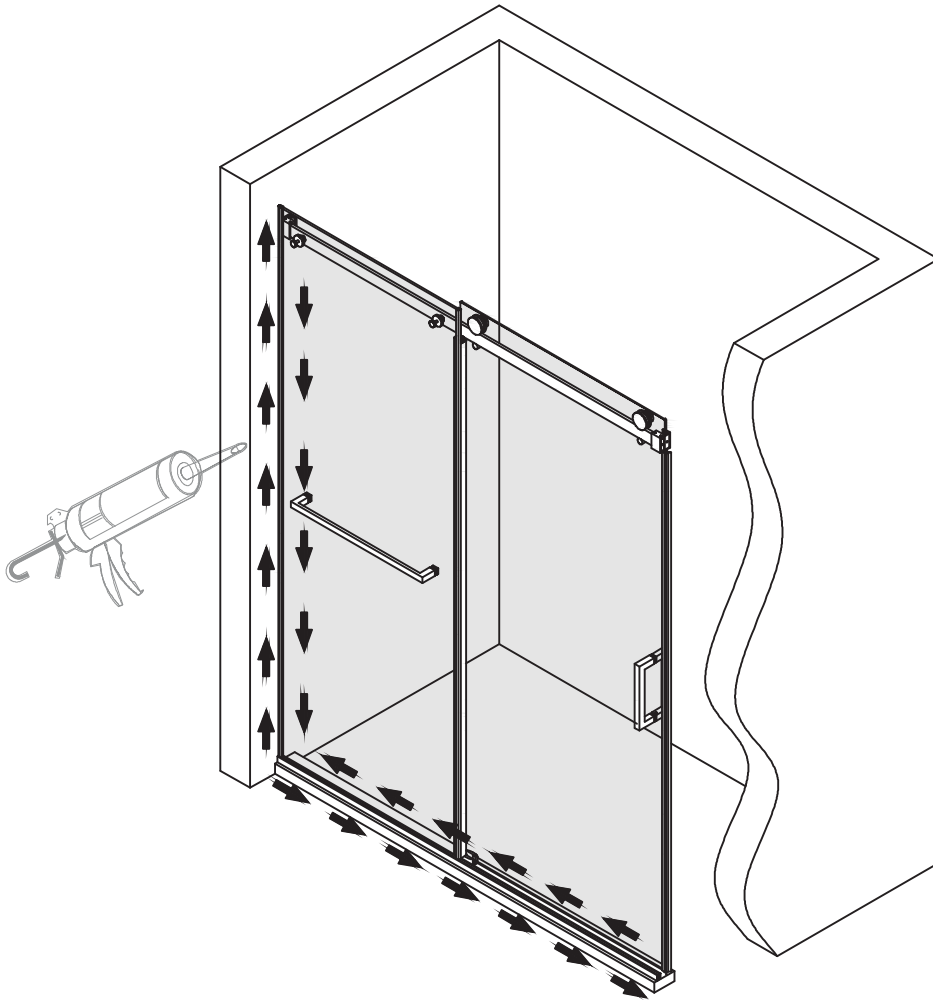


Normal state

Out-of-plumb state



STEP 15 Sealing



NOTE

The surfaces need to be clean and free of debris before applying silicone

NOTE

Make sure that the shower door is tightly closed and opens smoothly

Use silicone sealant to seal along the entire length of the Wall Jamb And Bottom Track



24 HOURS



Allow 24 hours for the silicone to cure before using the shower