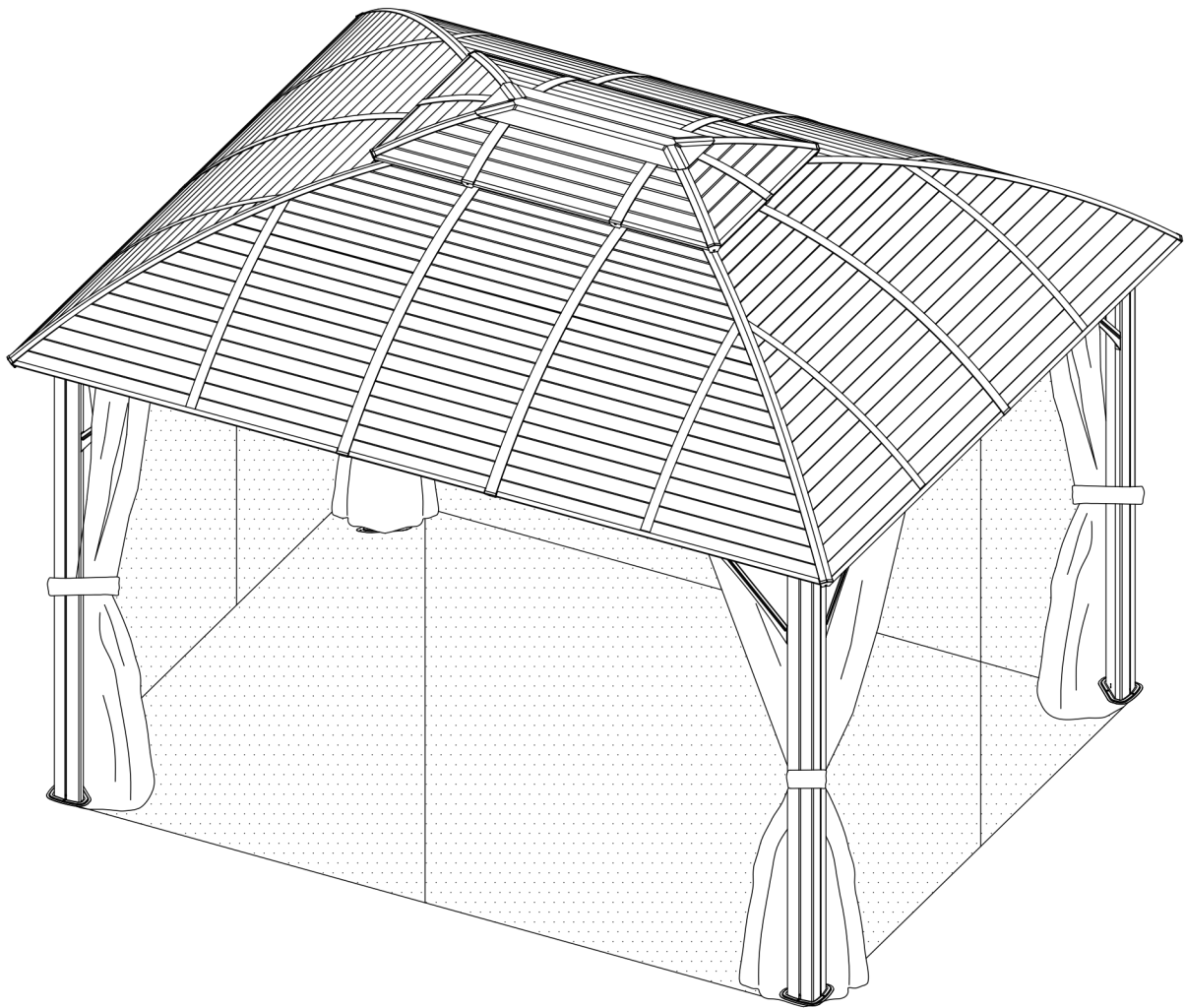


**10'x12' HARDTOP GAZEBO  
WITH DOUBLE ROOF**

# Assembly Instructions



# Pre-assembly



1. Two or more people are required for assembly.



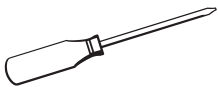
2. You will need one or more stepladders.



3. Wearing protective gloves is recommended.



4. You may need a safety hat.



5. Please use a Phillips screw driver.



6. For ease of construction, you may need a drill.



7. You may need a safety goggle.



8. Do not fully tighten screws prior to complete assembly.

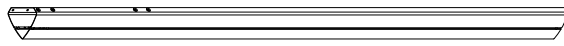
## Warning & Attention

-Try to assemble this product on the flat ground, otherwise it is difficult to carry out;

-It would be much easier to assemble the product with three or more people;

-After assembly, please check whether all screws are tightened, to prevent parts from falling apart.

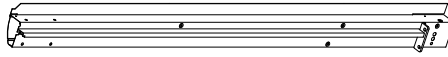
# Part List



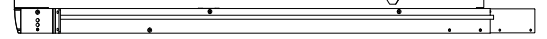
(A) 4x POLE



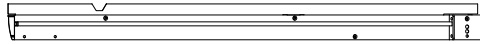
(C) 2x BEAM



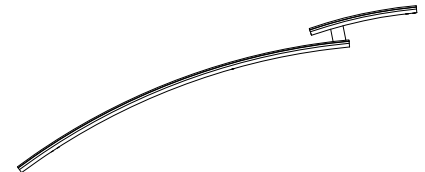
(C1) 2x BEAM



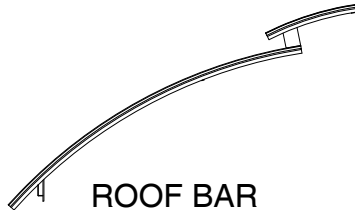
(C2) 2x BEAM



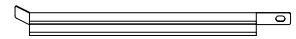
(C3) 2x BEAM



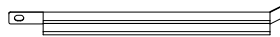
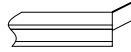
(D) 4x CORNER ROOF BAR



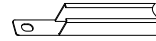
(E) 6x ROOF BAR



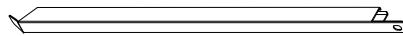
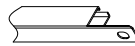
(F) 4x FINISHING BAR



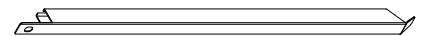
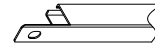
(F1) 4x FINISHING BAR



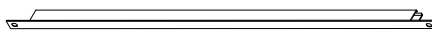
(F2) 2x FINISHING BAR



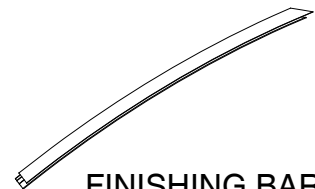
(G) 4x FINISHING BAR



(G1) 4x FINISHING BAR



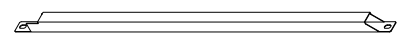
(G2) 2x FINISHING BAR



(H) 4x FINISHING BAR



(H1) 4x ROOF BAR



(J) 4x SOLIDIFYING BAR

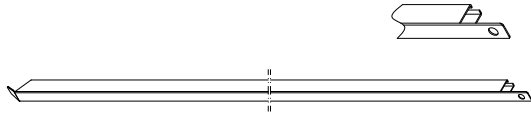
# Part List



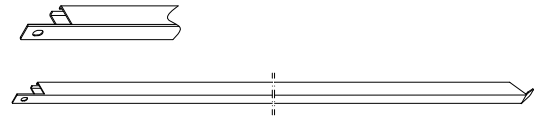
**J1** 4x SOLIDIFYING BAR



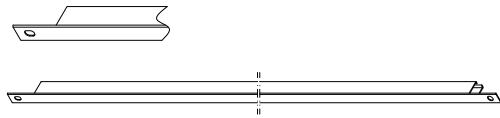
**J2** 2x SOLIDIFYING BAR



**K** 4x FINISHING BAR



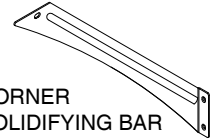
**K1** 4x FINISHING BAR



**K2** 2x FINISHING BAR

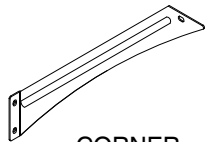


**B** 4x PLATE

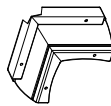


CORNER  
SOLIDIFYING BAR

**L** 4x



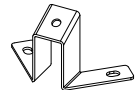
**L1** 4x  
CORNER  
SOLIDIFYING  
BAR



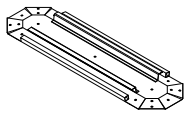
**M** 4x CORNE  
COVER



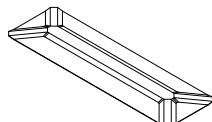
**N** 4x JOINT  
COVER



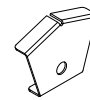
**P** 4x SUPPORTING  
PART



**Q** 1x INSIDE ROOF  
CONNECTOR



**Q1** 1x OUTSIDE ROOF  
CONNECTOR



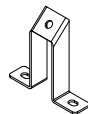
**R** 12x FINISHING  
END



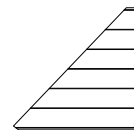
**R1** 6x FINISHING  
END



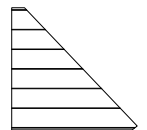
**R2** 12x FINISHING  
END



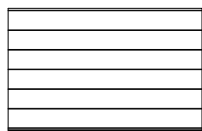
**S** 8x SUPPORTING  
PART



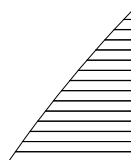
**T** 4x PANELS



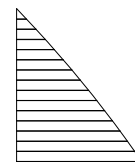
**T1** 4x PANELS



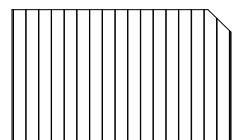
**T2** 2x PANELS



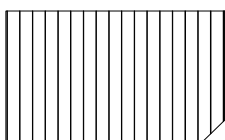
**U** 4x PANELS



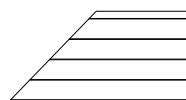
**U1** 4x PANELS



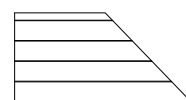
**V** 4x PANELS



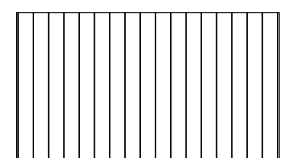
**V1** 4x PANELS



**V2** 4x PANELS

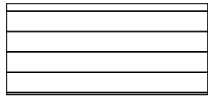


**V3** 4x PANELS



**W** 2x PANELS

# Part List



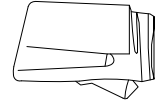
W1 2x PANELS



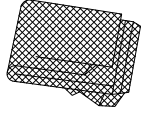
X 104x HOOK



Y 20x PLASTIC LOCK



Z 4x SOLID SIDEWALL



Z1 4x MOSQUITO NETTING



AA 4x JOINT COVER



M6x12

1 150x SCREWS



M6x16

2 25x SCREWS



M6x15

3 8x SCREWS



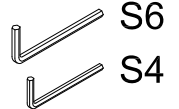
ST4.8x10

4 32x SCREWS



M5x10

5 4x SCREWS

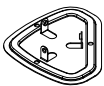


6 1x ALLEN KEY

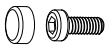
## Parts Required



A 4x



B 4x



M6x12

1 12x



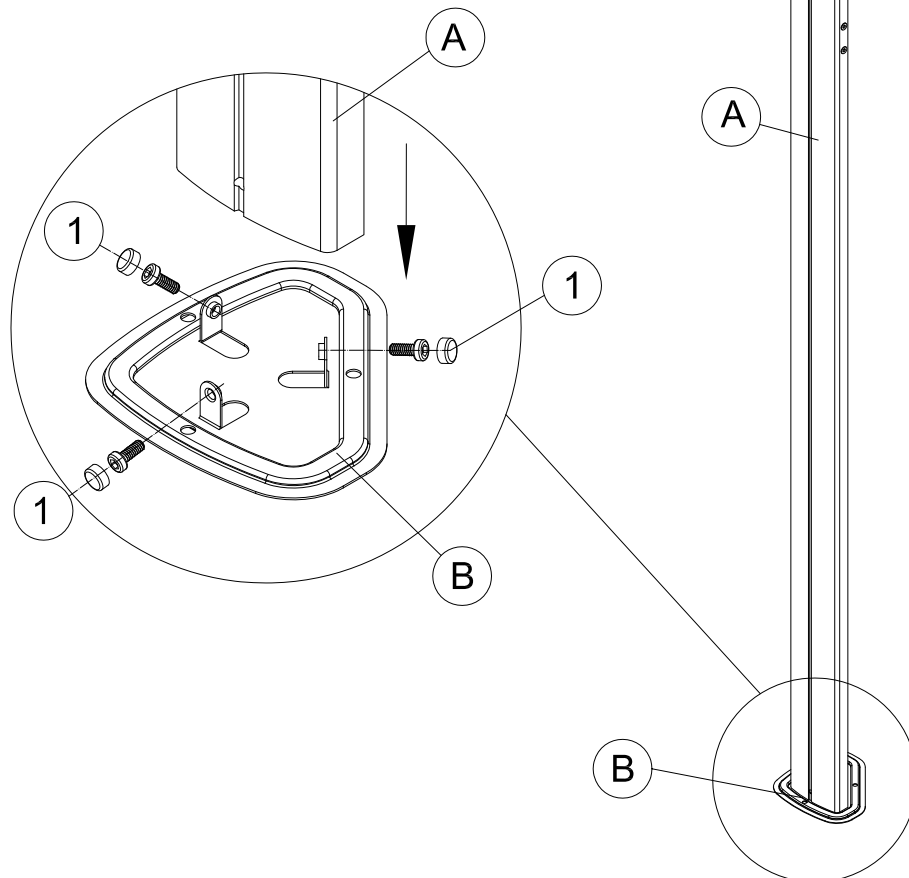
S4

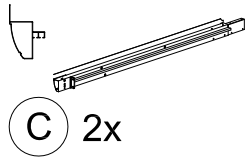
6 1x

4

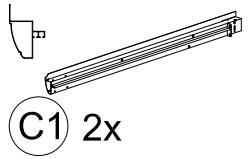
## Step 1:

Set up poles (Part A) with stand plates (Part B) using screws 1# as shown in diagram.

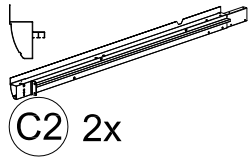




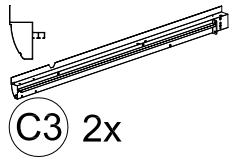
C 2x



C1 2x



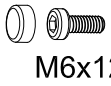
C2 2x



C3 2x



X 104x



1 16x



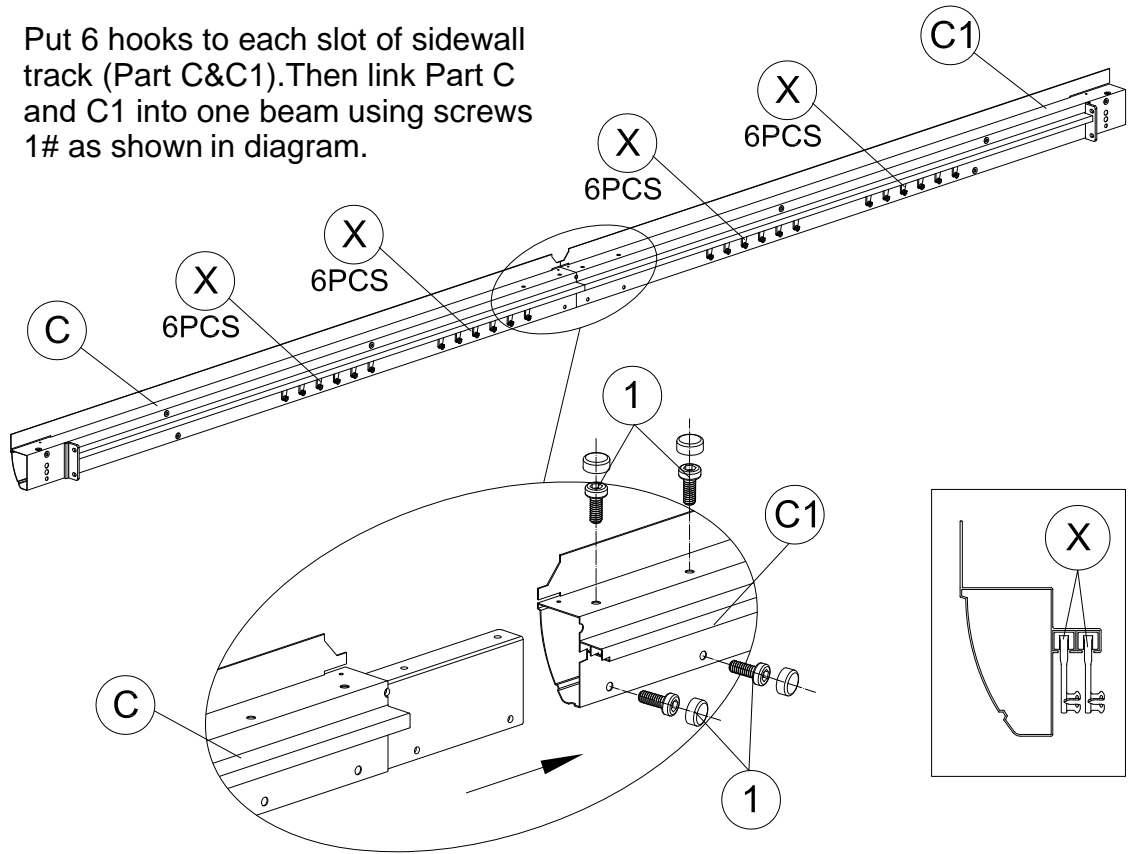
6 1x

Parts Required

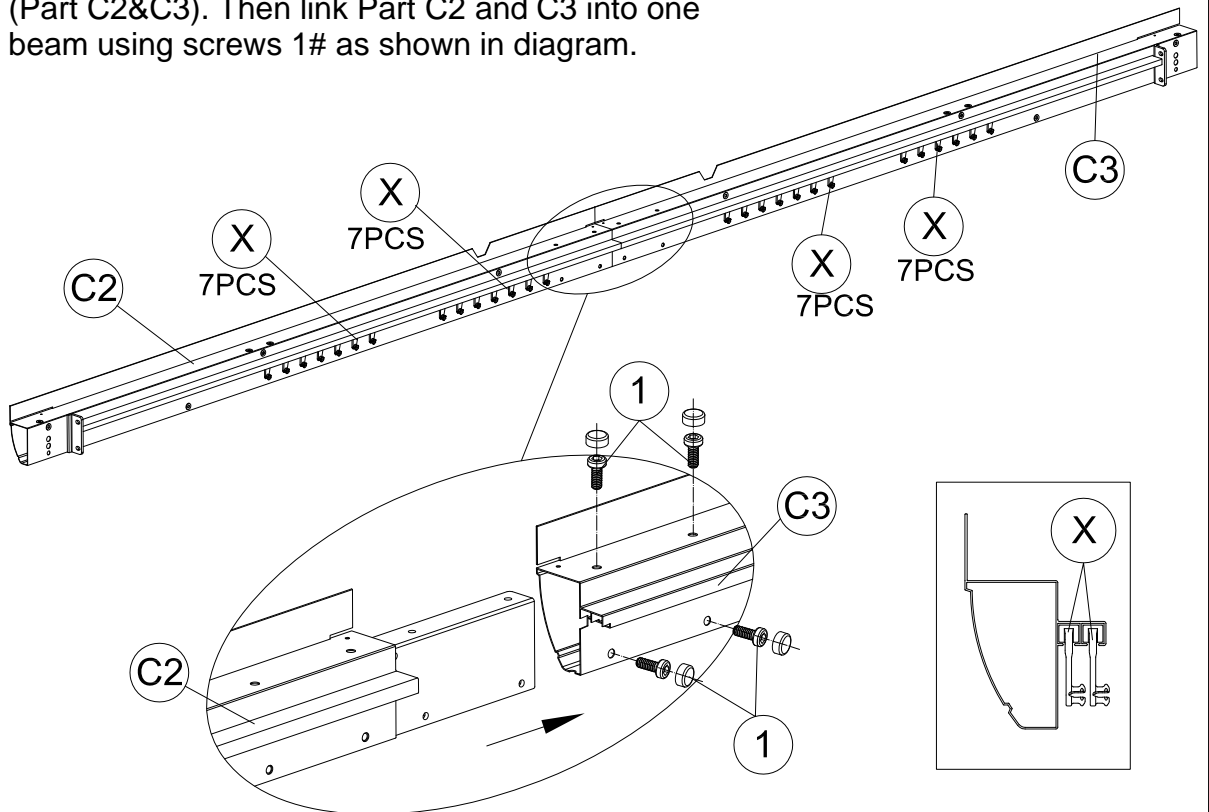
5

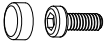


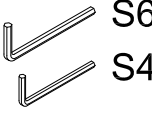
## Step 2:

Put 6 hooks to each slot of sidewall track (Part C&C1). Then link Part C and C1 into one beam using screws 1# as shown in diagram.



Put 7 hooks to each slot of sidewall track (Part C2&C3). Then link Part C2 and C3 into one beam using screws 1# as shown in diagram.

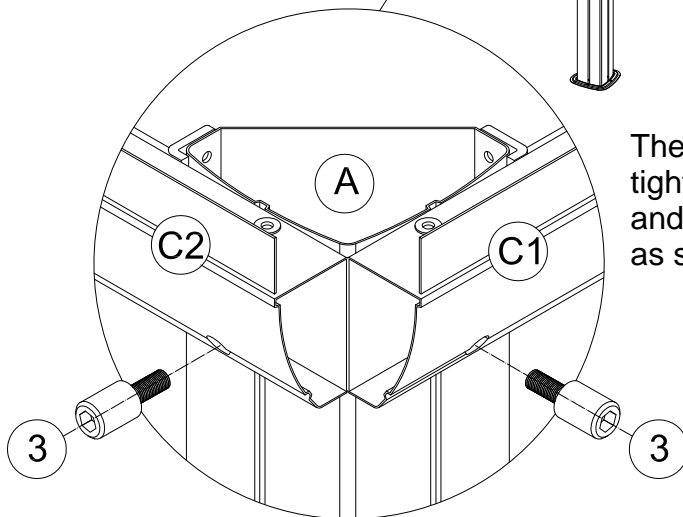
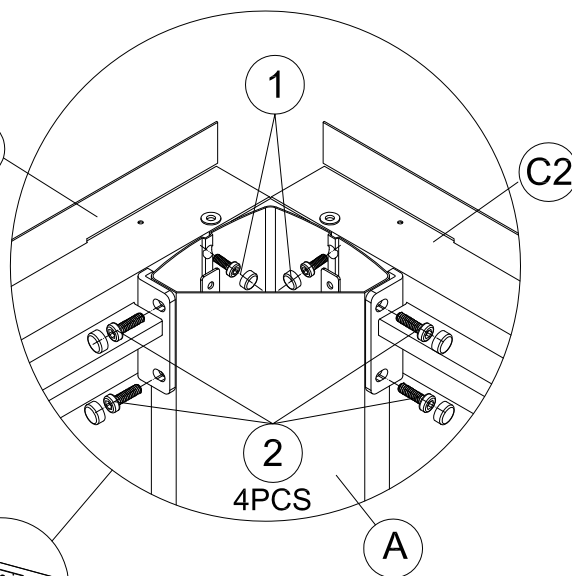
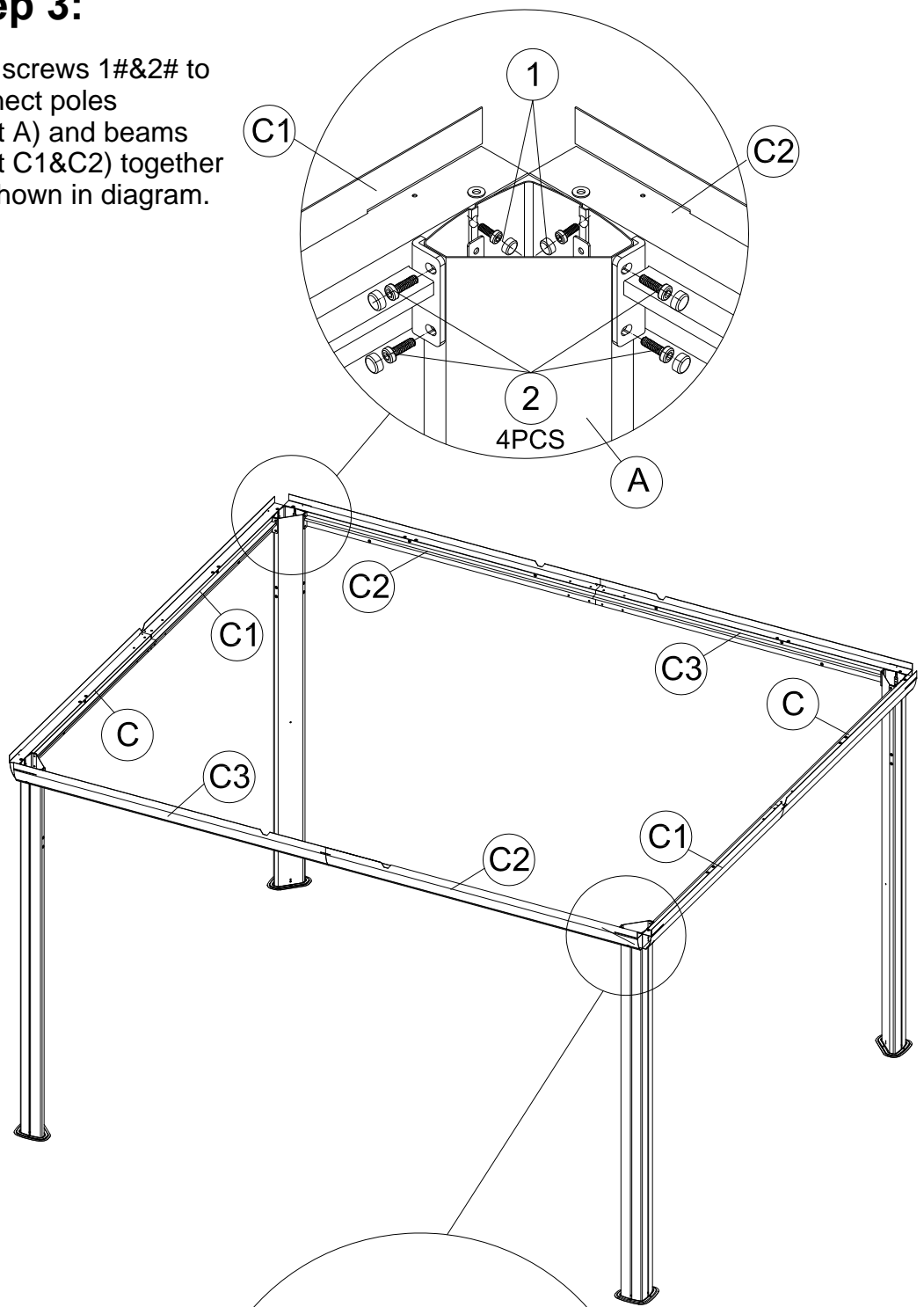


-  M6x12
- 1** 8x
-  M6x16
- 2** 16x
-  M6x15
- 3** 8x
-  S6  
S4
- 6** 1x

Parts Required

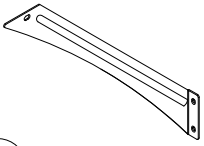
### Step 3:

Use screws 1#&2# to connect poles (Part A) and beams (Part C1&C2) together as shown in diagram.

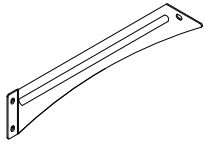


Then use screws 3# to tighten poles (Part A) and beams (Part C1&C2) as shown in diagram.

**6**



L 4x

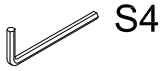


L1 4x



M6x12

1 24x



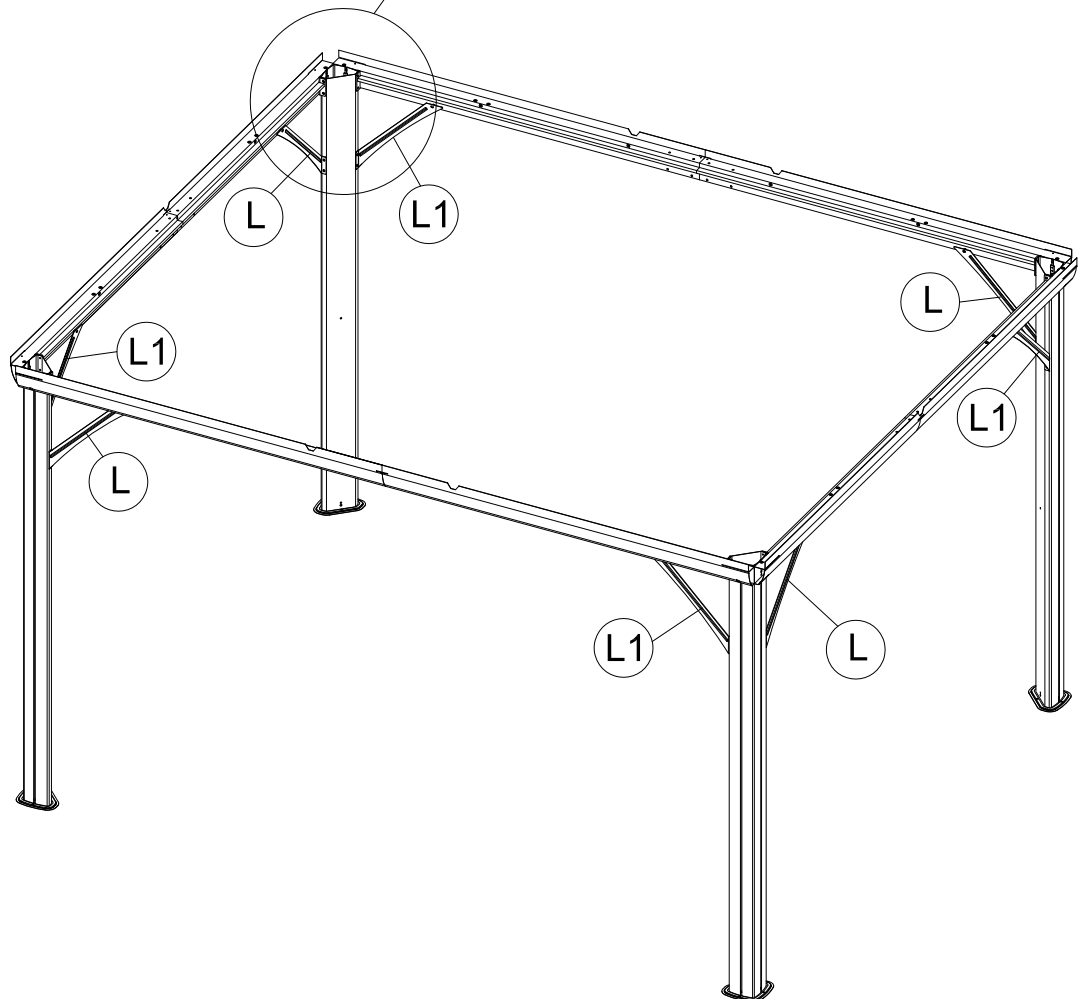
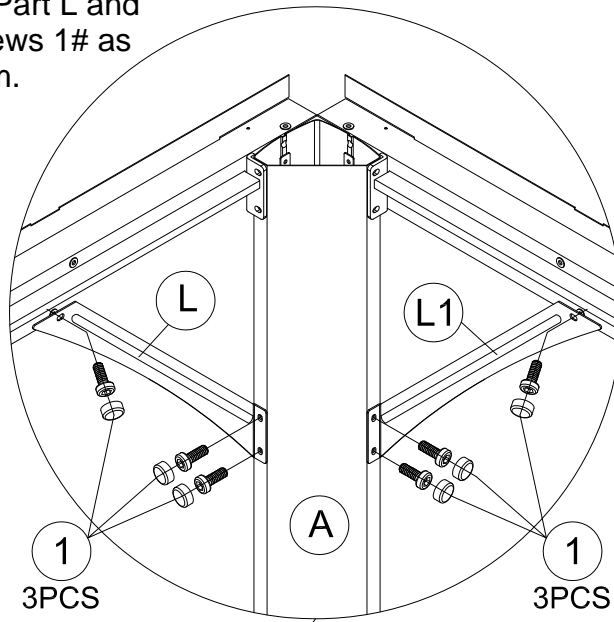
S4

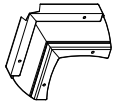
6 1x

Parts Required

### Step 4:

Affix the frame with corner solidifying bars (Part L and L1) by using screws 1# as shown in diagram.

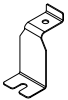




M 4x



N 4x



AA 4x



ST4.8x10

4 24x

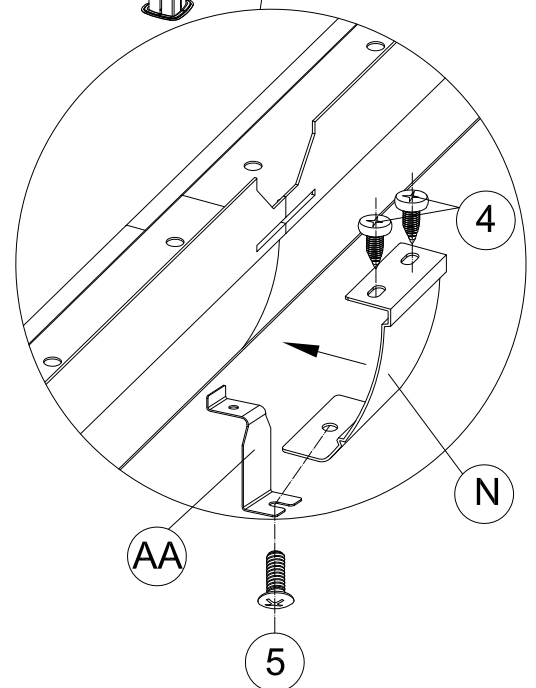
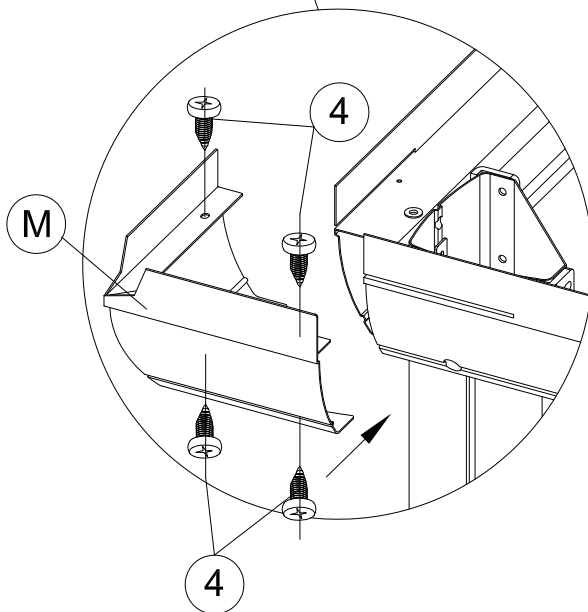
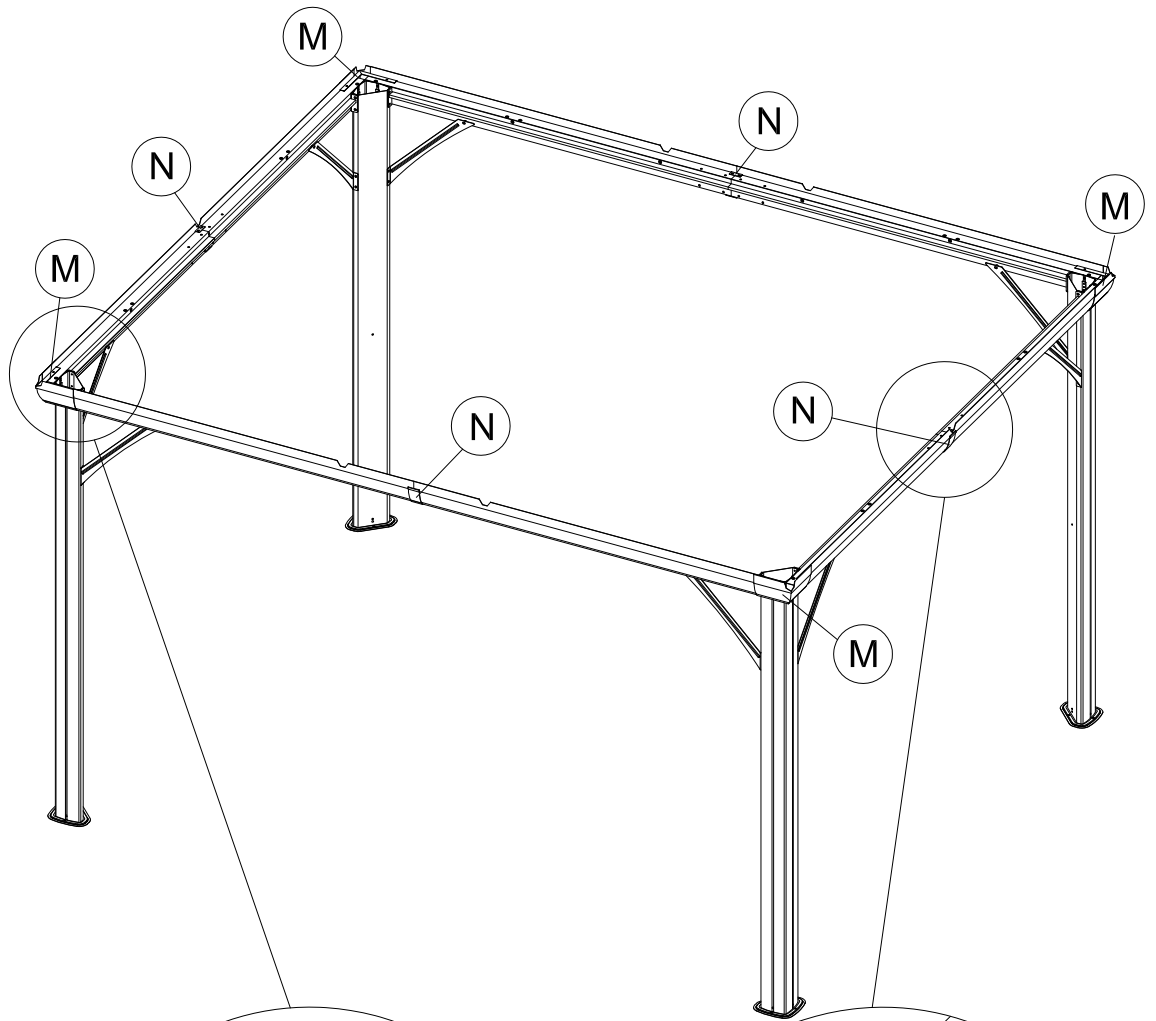


M5x10

5 4x

Parts Required

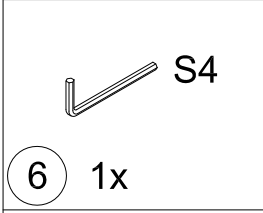
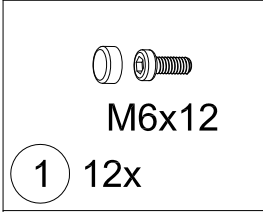
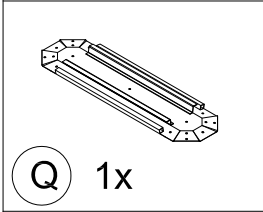
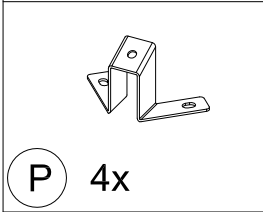
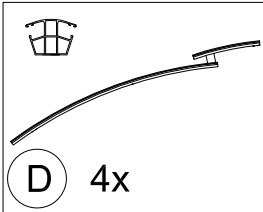
### Step 5:



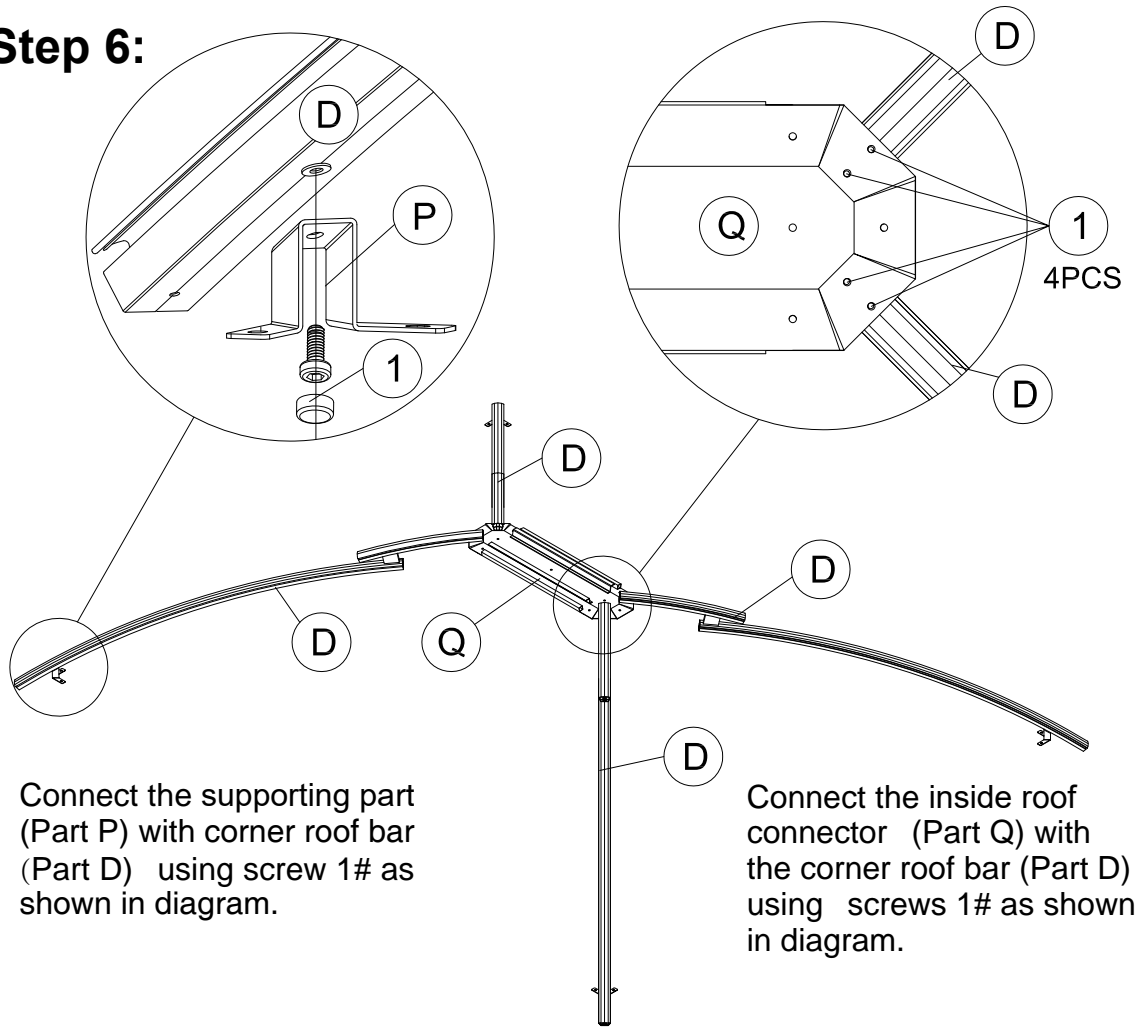
8

Finish connecting beams using corner covers (Part M) and screws 4# as shown in diagram.

Affix middle beams using joint cover (Part N) and screws 4#, then fix part AA and part N together on the beam with screws 5# as shown in diagram.

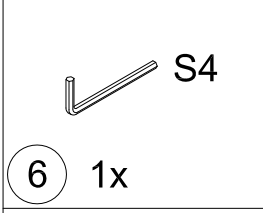
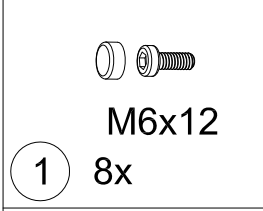


### Step 6:

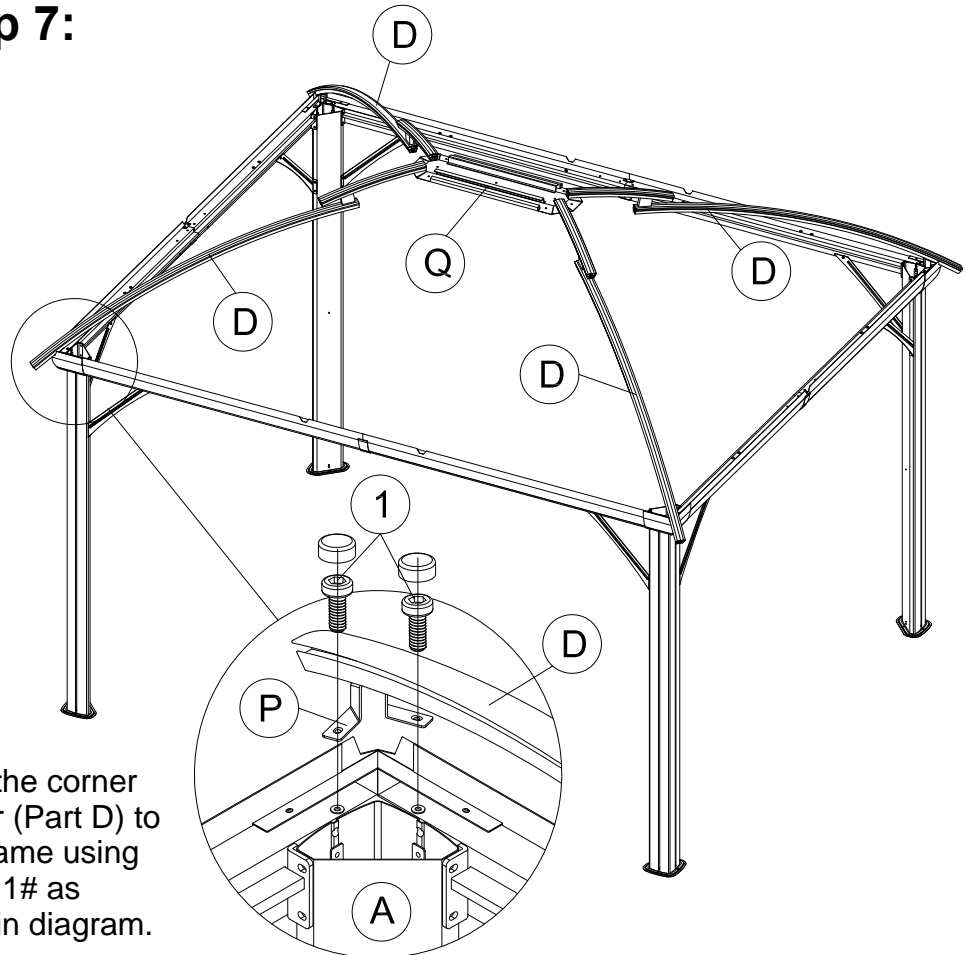


Connect the supporting part (Part P) with corner roof bar (Part D) using screw 1# as shown in diagram.

Connect the inside roof connector (Part Q) with the corner roof bar (Part D) using screws 1# as shown in diagram.

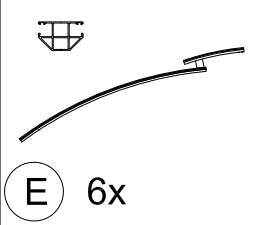


### Step 7:



Attach the corner roof bar (Part D) to main frame using screws 1# as shown in diagram.

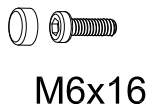
Parts Required



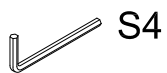
**E** 6x



**1** 6x



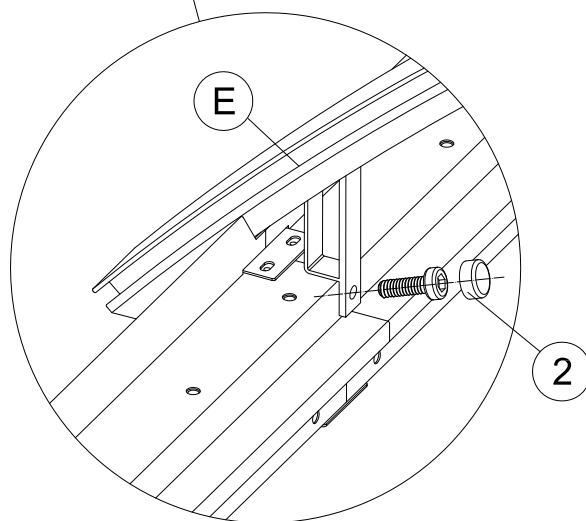
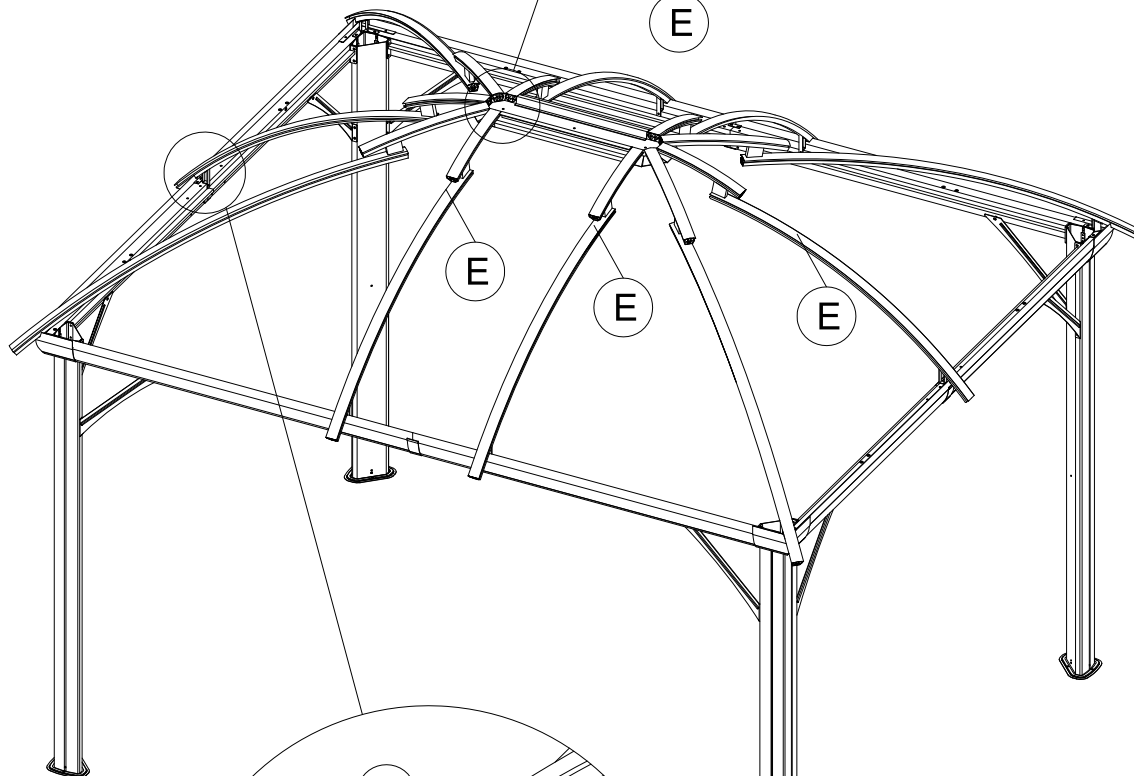
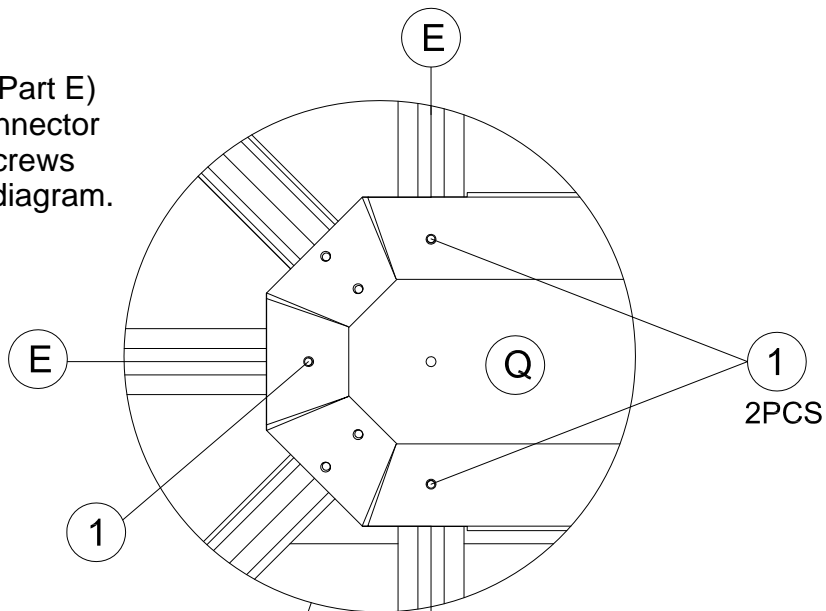
**2** 6x



**6** 1x

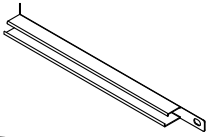
Parts Required

**Step 8:**  
 Attach roof bar (Part E)  
 to inside roof connector  
 (Part Q) using screws  
 1# as shown in diagram.

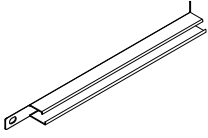


Attach roof bar (Part E) to  
 main frame using screws  
 2# as shown in diagram.

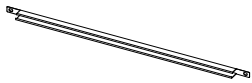
Parts Required



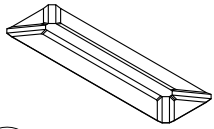
(F) 4x



(F1) 4x



(F2) 2x



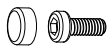
(Q1) 1x



(R) 4x



(R1) 6x



M6x12

(1) 10x



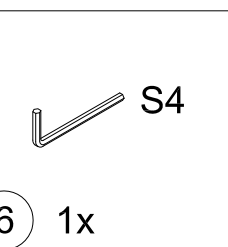
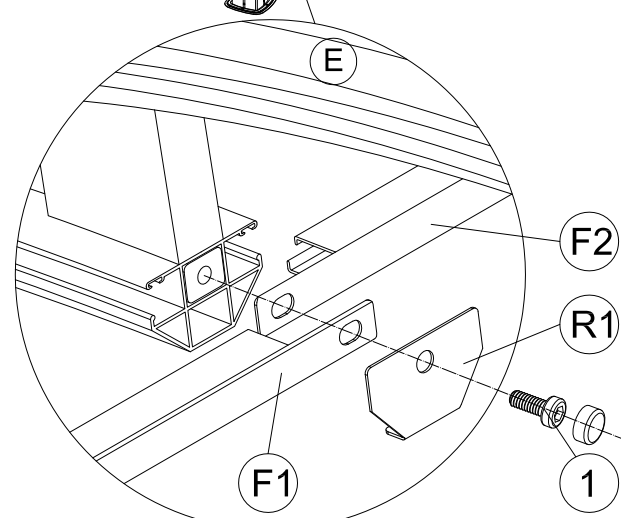
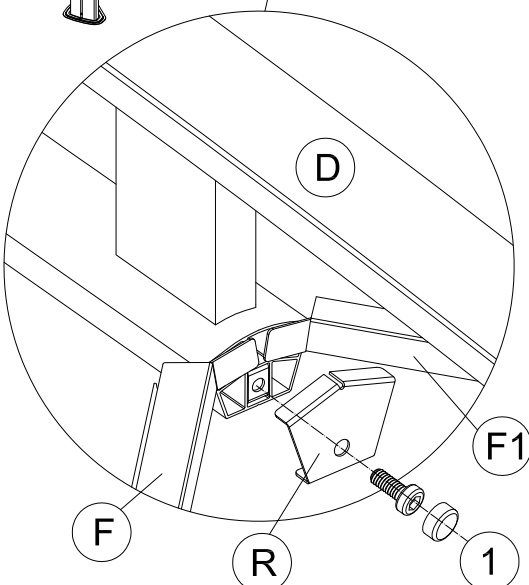
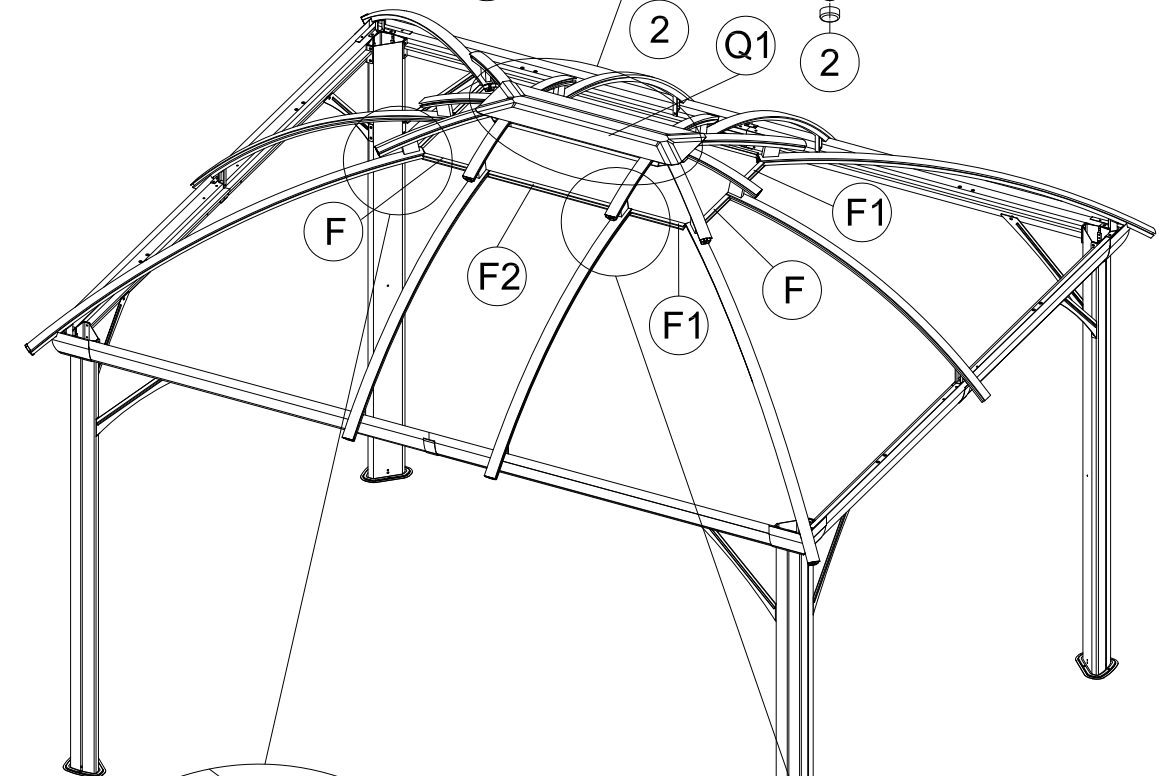
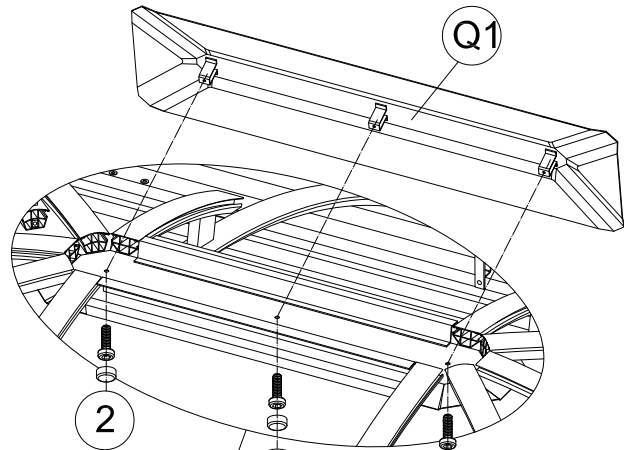
M6x16

(2) 3x

11

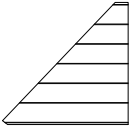
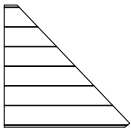
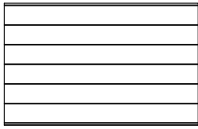
**Step 9:**

Connect the outside roof connector (Part Q1) to inside roof (Part Q) using screws 2# as shown in diagram.

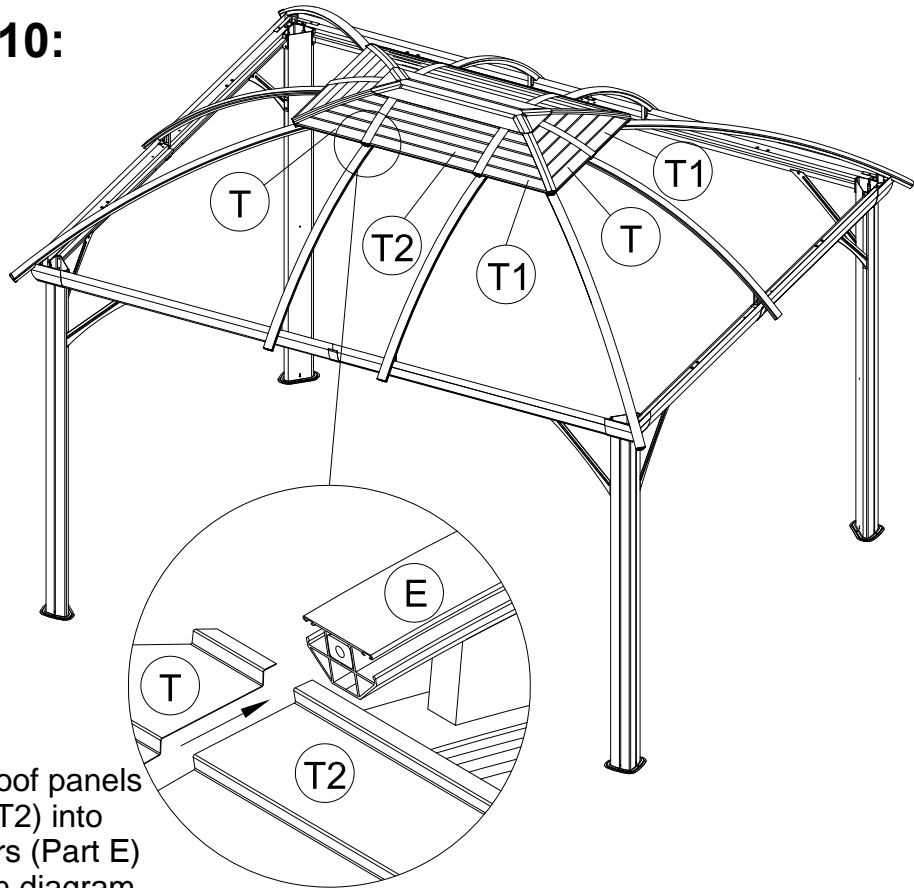


(6) 1x


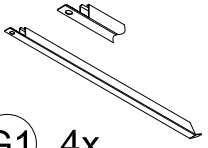
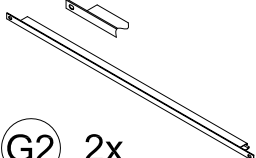
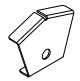

Affix finishing bars (Part F, F1 and F2) to roof bars (Part D&E) using finishing end (Part R&R1) and screws 1# as shown in diagram.


<b>(T)</b> 4x

<b>(T1)</b> 4x

<b>(T2)</b> 2x
<b>Parts Required</b>

### Step 10:

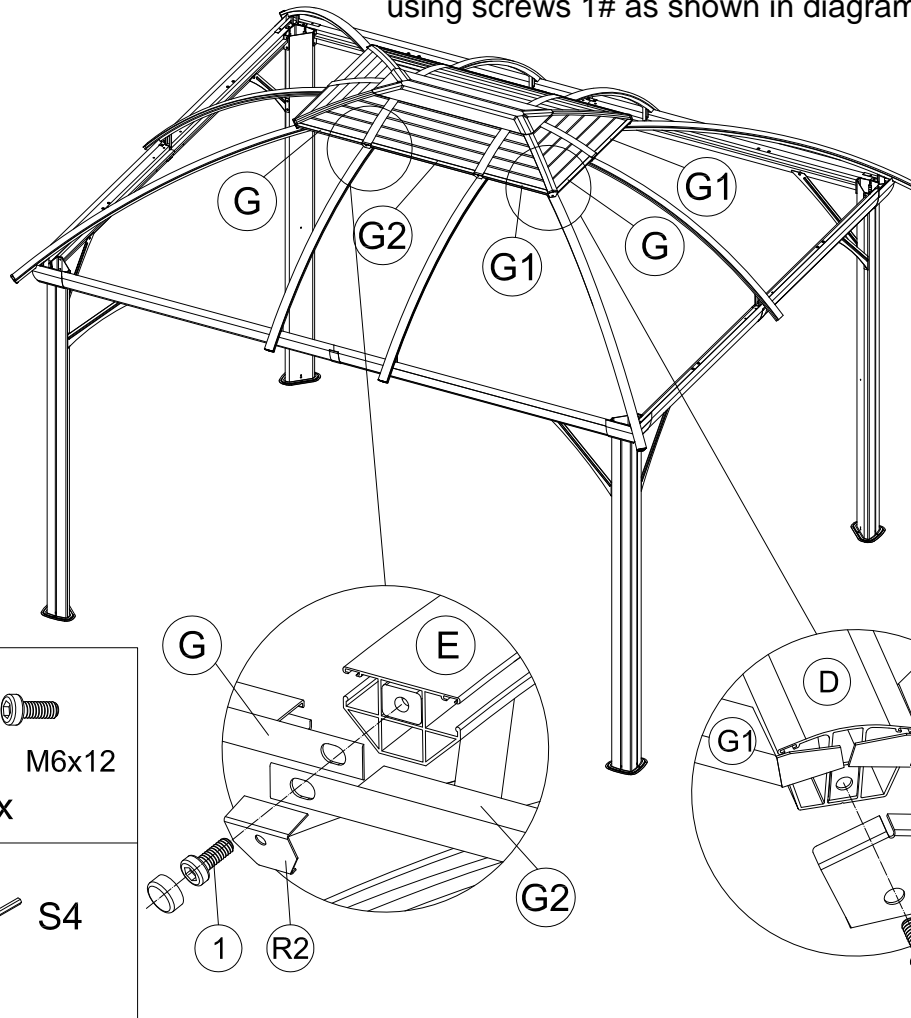


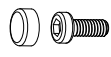

Insert the roof panels (Part T, T1, T2) into the roof bars (Part E) as shown in diagram.

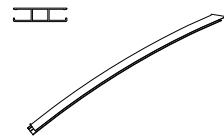
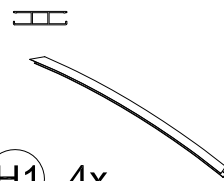
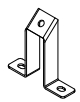



<b>(G)</b> 4x

<b>(G1)</b> 4x

<b>(G2)</b> 2x

<b>(R)</b> 4x

<b>(R2)</b> 6x
<b>12</b>

### Step 11:

Attach finishing bars (Part G, G1&G2) to roof bars (Part E&D) with finishing end (Part R&R2) using screws 1# as shown in diagram.

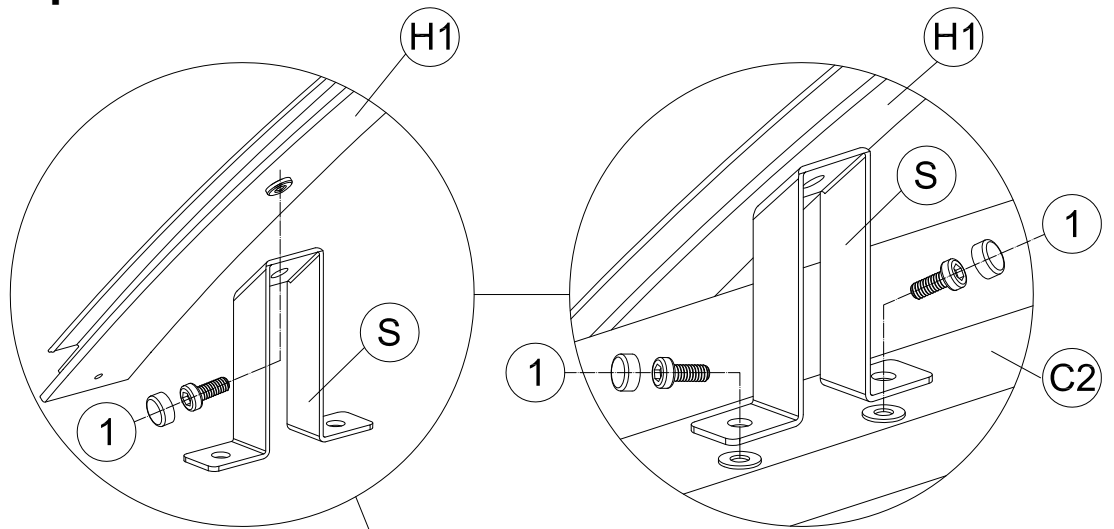


	M6x12
<b>(1)</b> 10x	
	S4
<b>(6)</b> 1x	

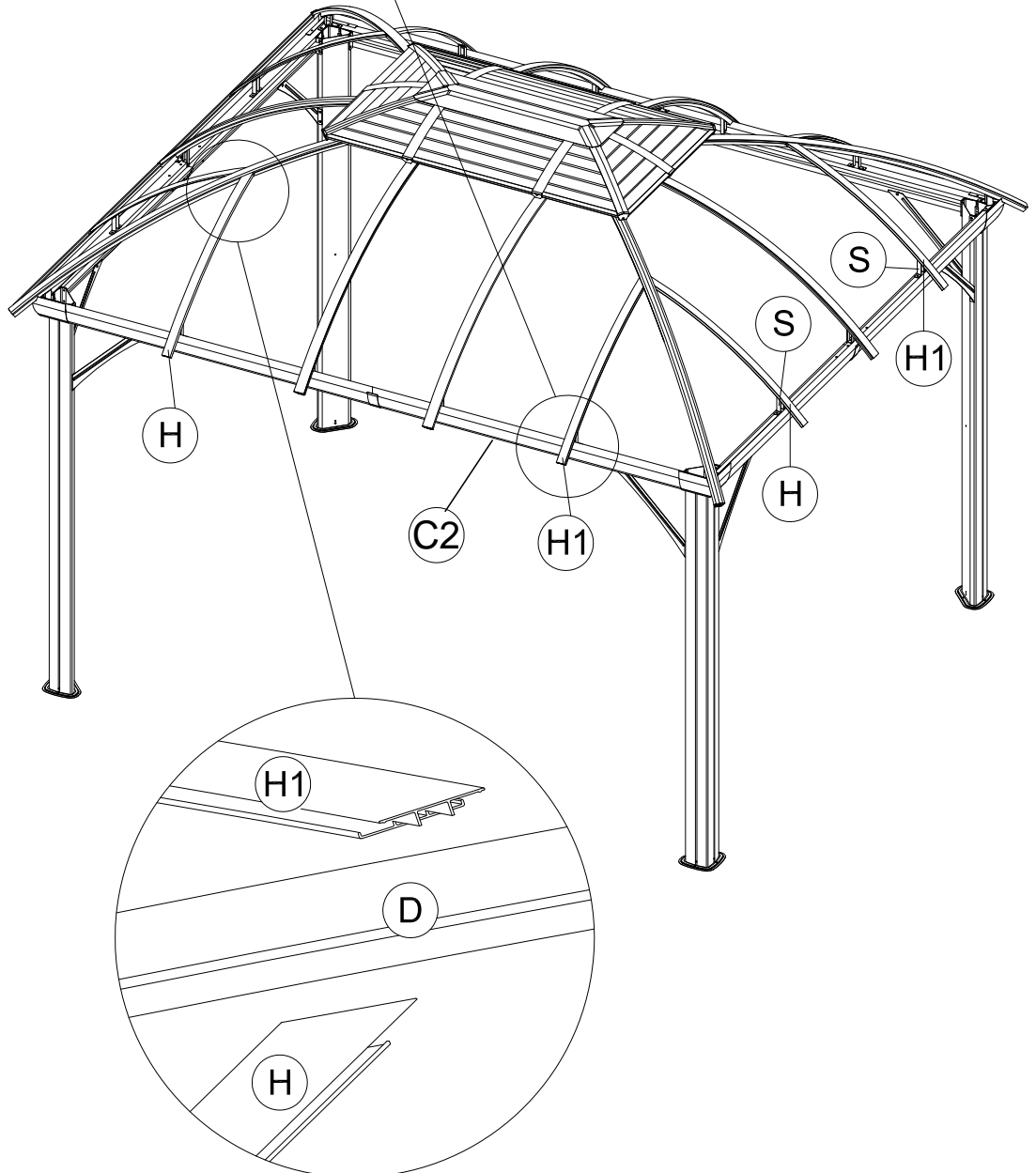
-  **H** 4x
-  **H1** 4x
-  **S** 8x
-  **1** 24x  
M6x12
-  **S4**
- 6** 1x

Parts Required

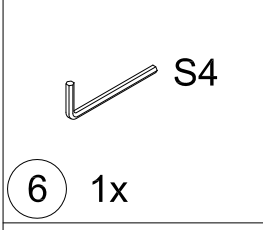
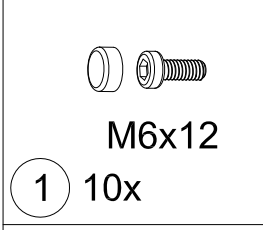
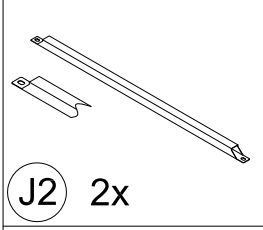
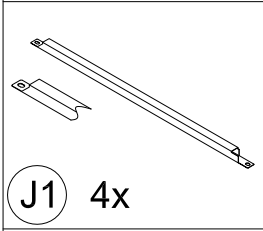
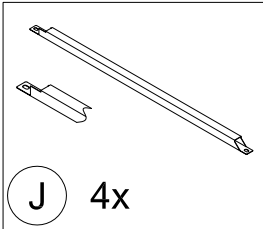
### Step 12:



Affix roof bars (Part H&H1) to beams using supporting part (Part S) and screws 1# as shown in diagram.



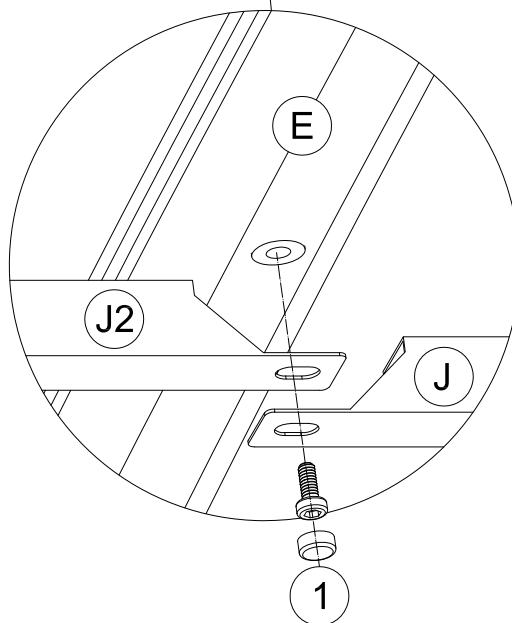
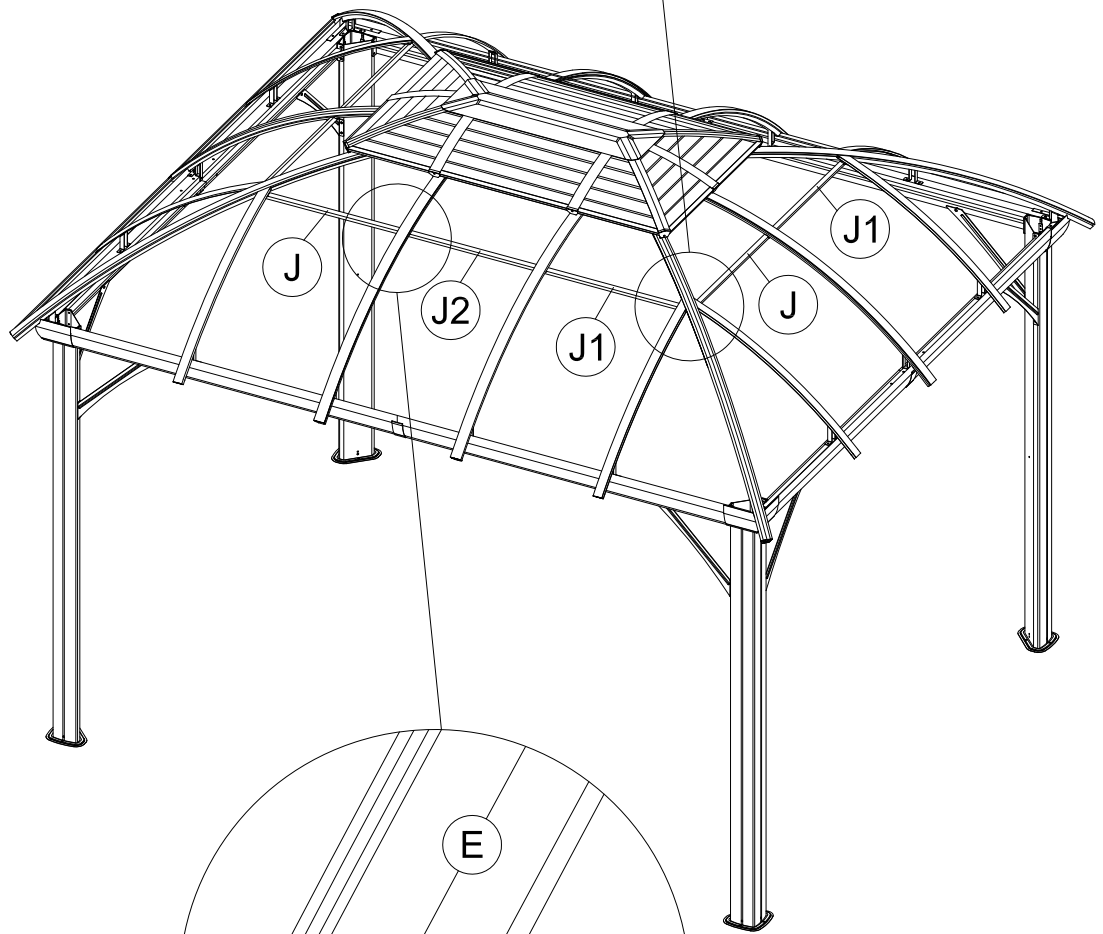
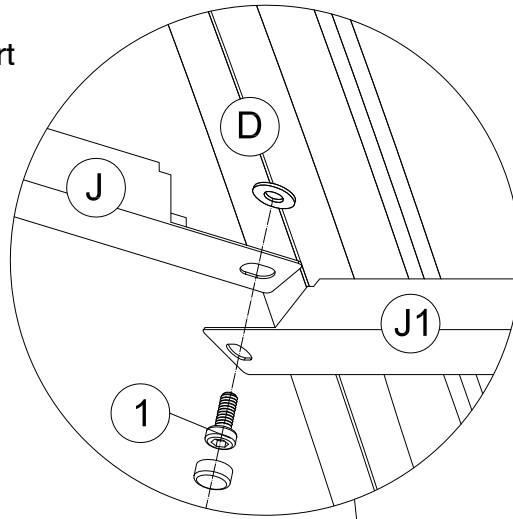
Then insert roof bars (Part H&H1) to corner roof bar (Part D) as shown in diagram.



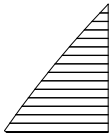
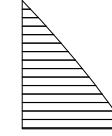
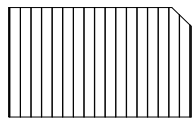
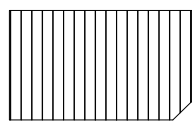
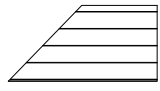
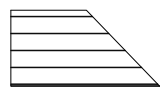
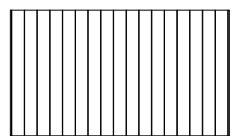
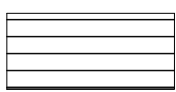
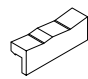
Parts Required

### Step 13:

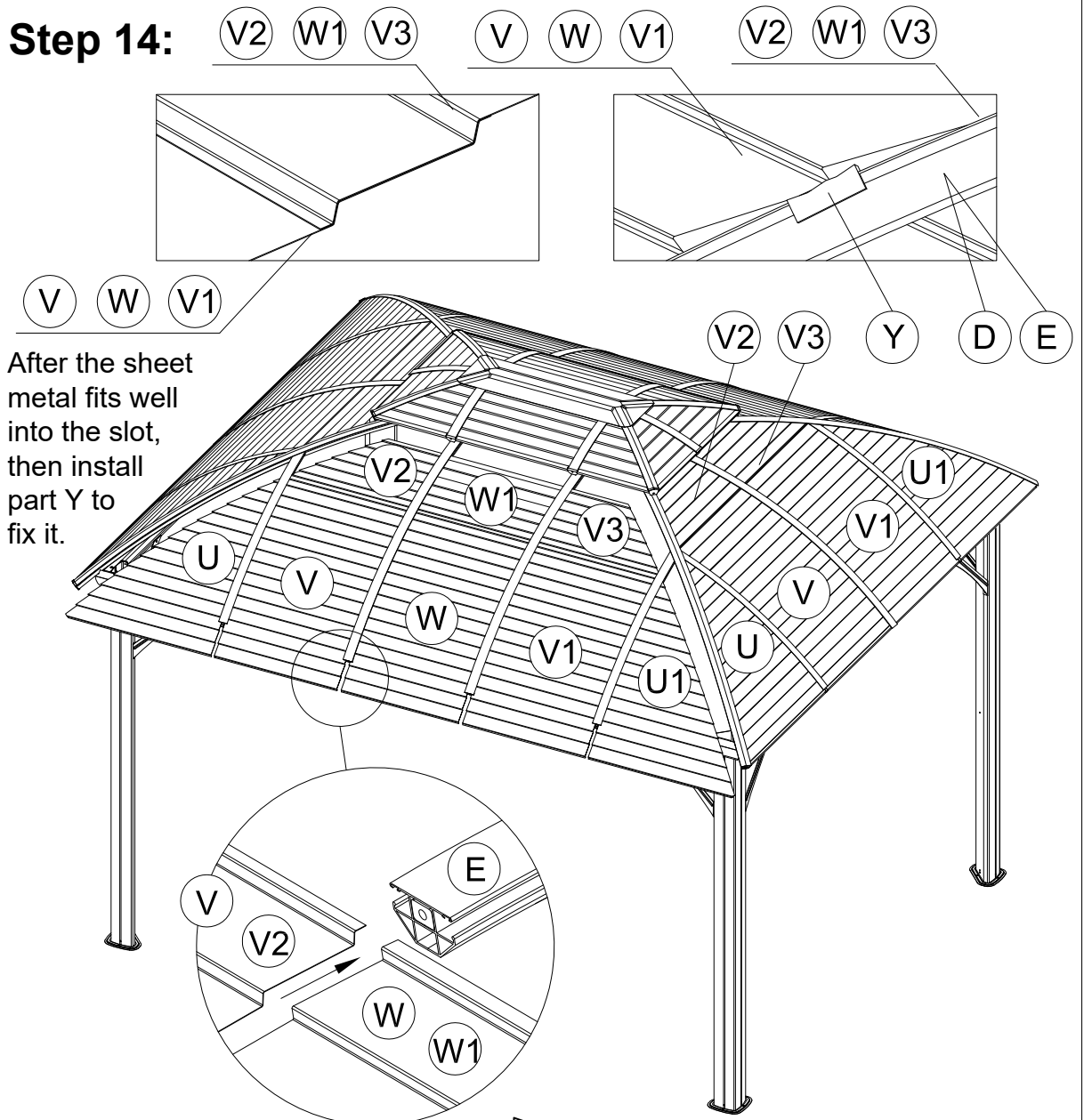
Affix solidifying bars (Part J and J1) to corner roof bar (Part D) using screw 1# as shown in diagram.



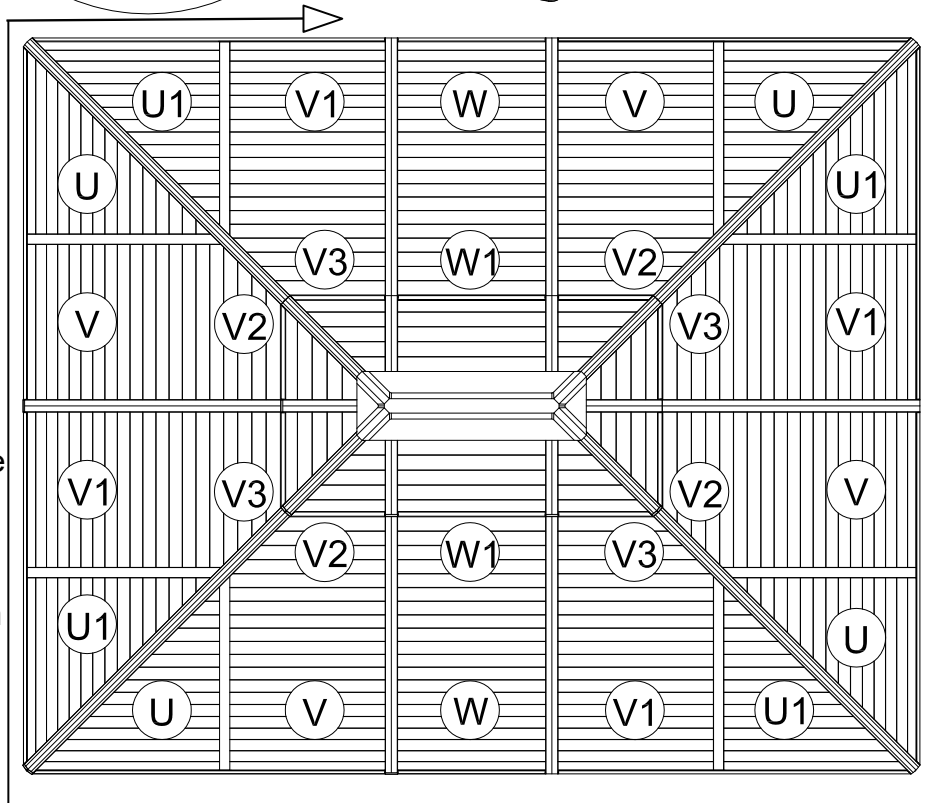
Affix solidifying bars (Parts J and J2) to roof bar (Part E) using screws 1# as shown in diagram.

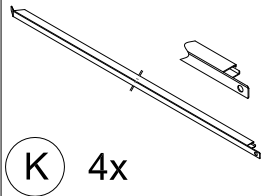
-  **U** 4x
  -  **U1** 4x
  -  **V** 4x
  -  **V1** 4x
  -  **V2** 4x
  -  **V3** 4x
  -  **W** 2x
  -  **W1** 2x
  -  **Y** 20x
- Parts Required**  
**15**

### Step 14:

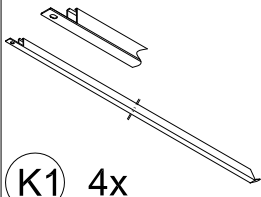


**Attention:**  
Start from V and install piece by piece in a clockwise sequence. Only W and W1 can jointly insert into the slot. Put V2 and V3 from top to the slot.

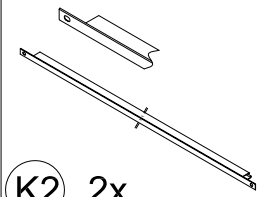




K 4x



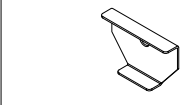
K1 4x



K2 2x



R 4x



R2 6x



M6x12

1 10x



ST4.8x10

4 8x



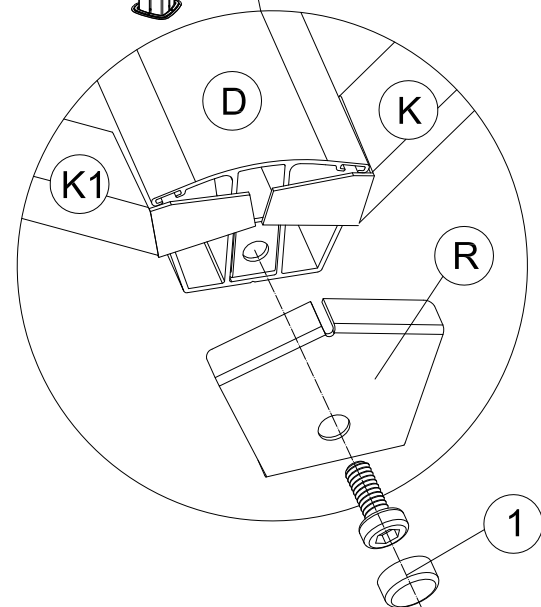
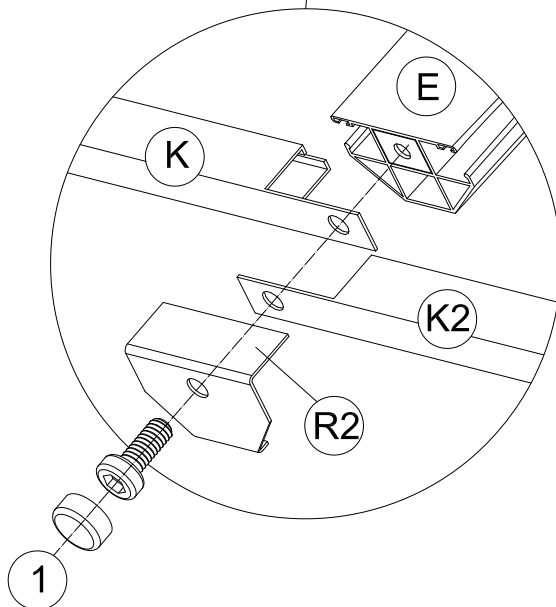
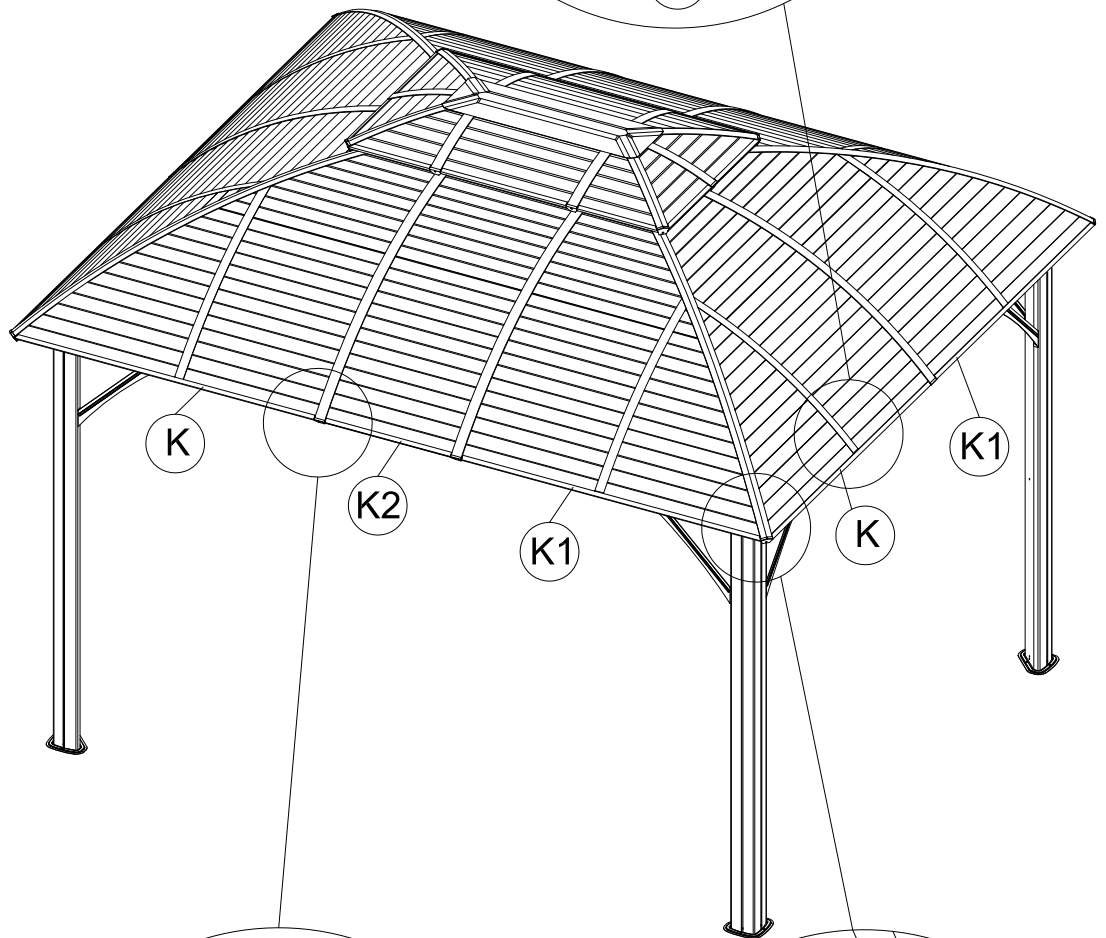
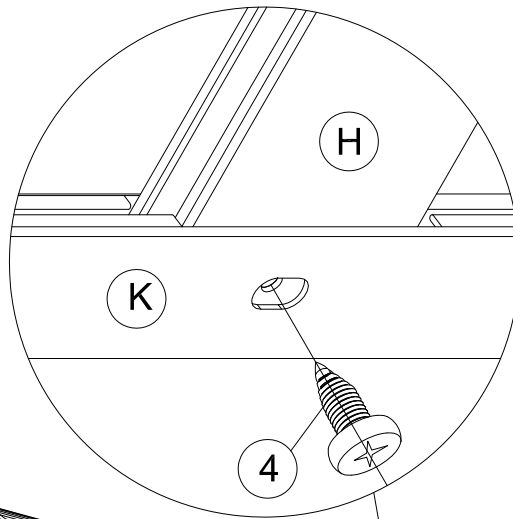
6 1x

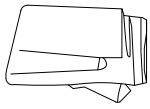
Parts Required

16

## Step 15:

Affix finishing bars (Parts K, K1 and K2) to roof bars (Part D&E) using finishing end (Part R&R2) and screws 1#&4# as shown in diagram.

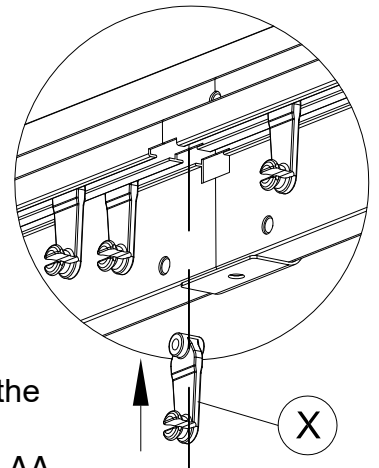
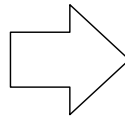
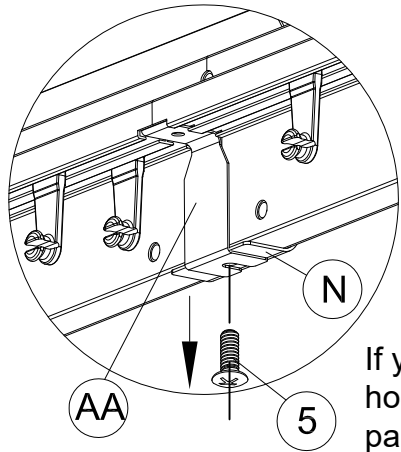




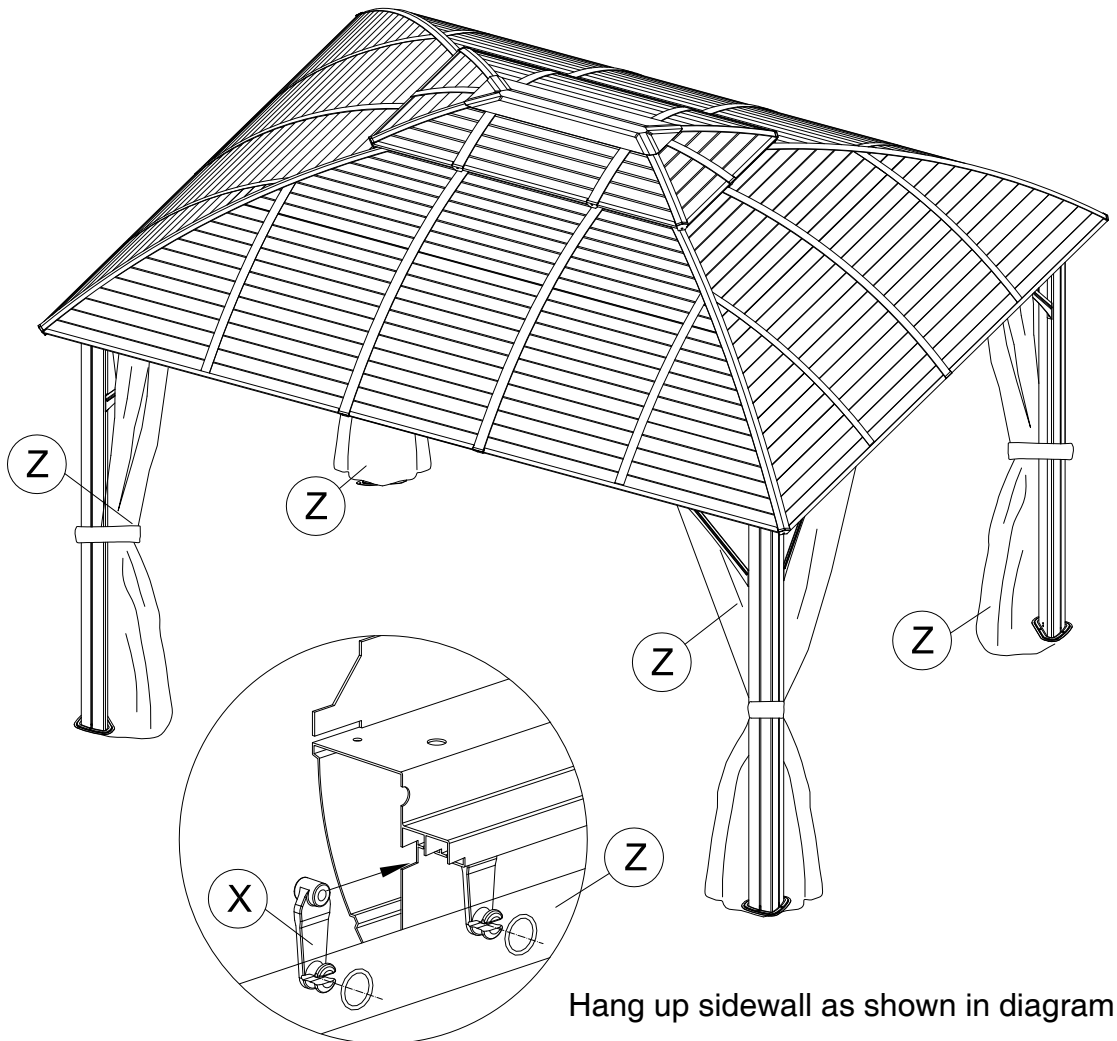
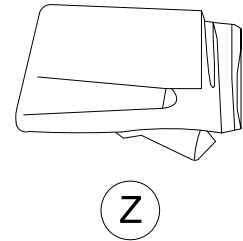
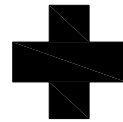
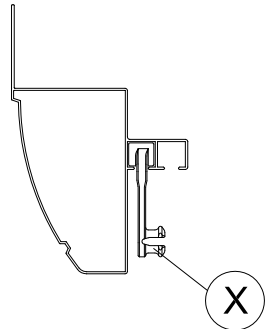
### Step 16:

(Z) 4x

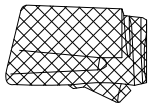
Parts Required



If you forgot to hang the hooks in step 2, remove the part AA, then hang the hooks, and finally fix part AA to lock the hooks into place.



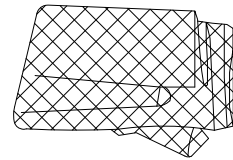
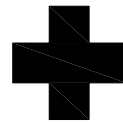
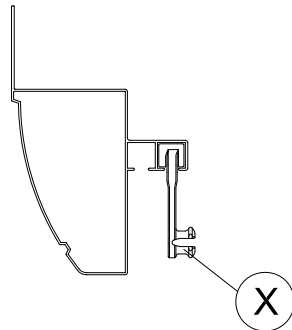
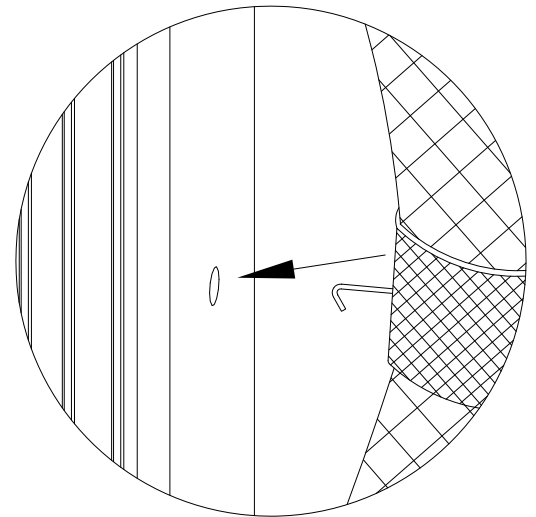
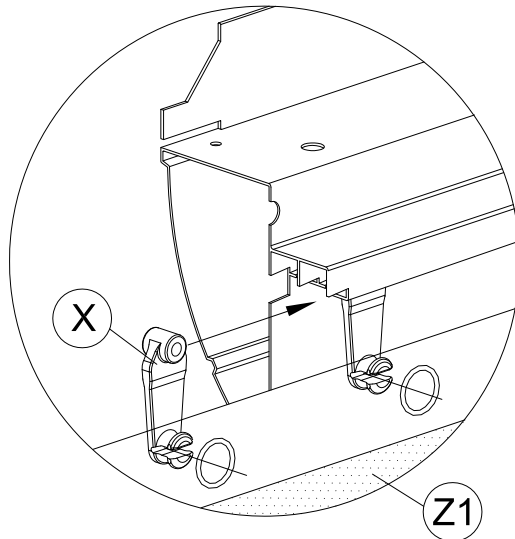
Hang up sidewall as shown in diagram.



### Step 17: Hang up mosquito netting as shown in diagram.

Z1 4x

Parts Required



Z1

