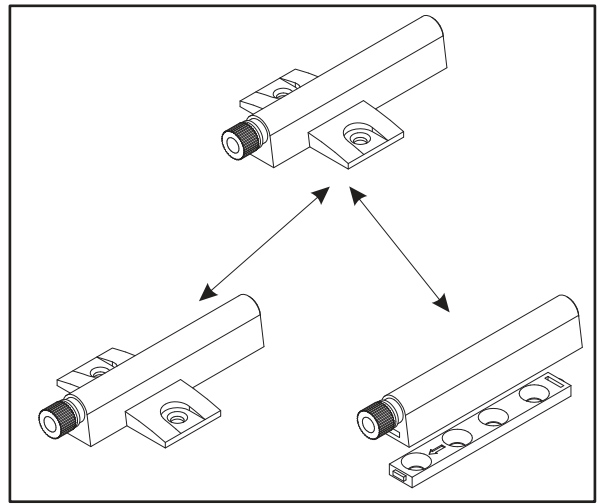
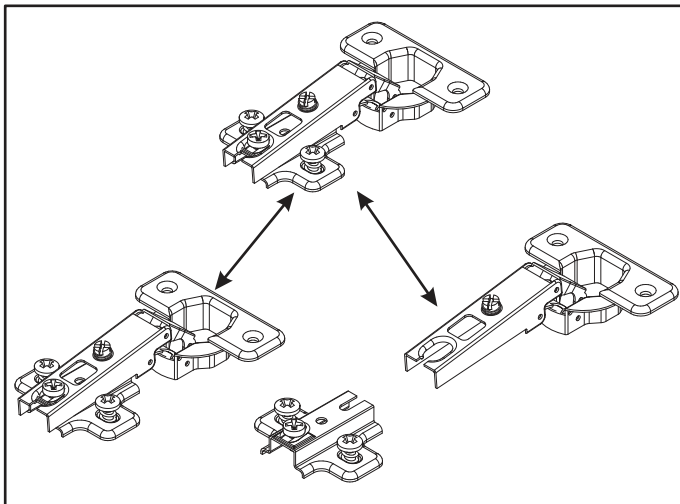
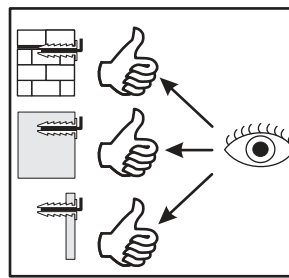
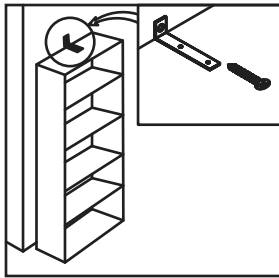
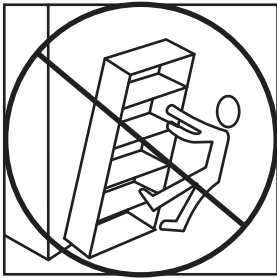
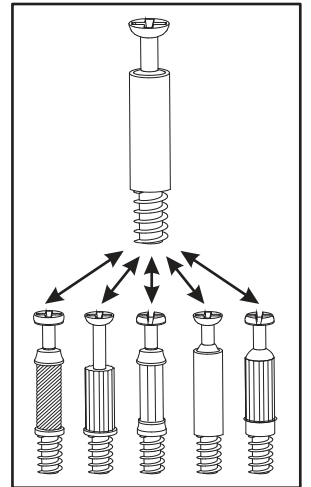
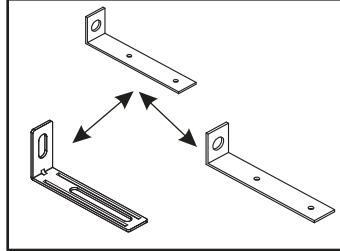
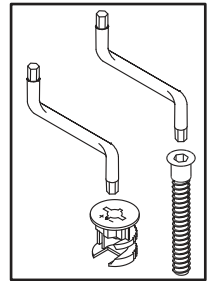
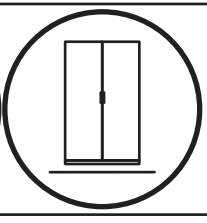
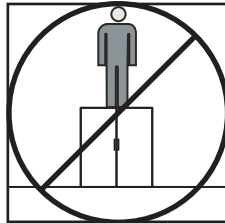
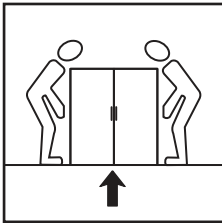
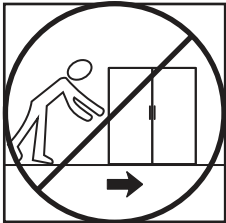
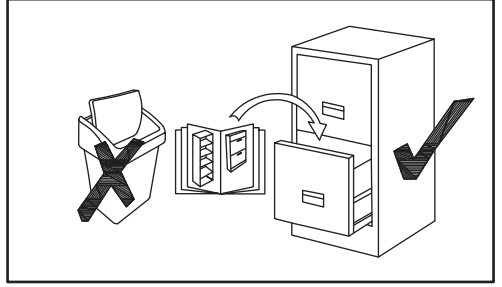
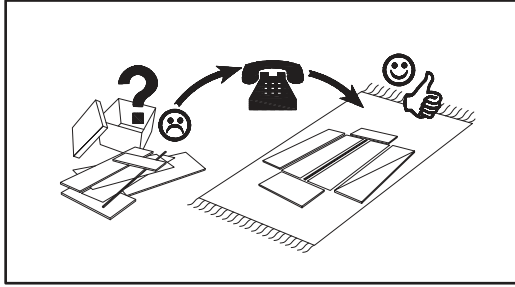
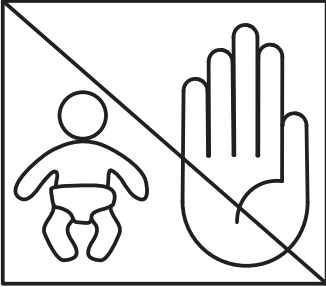
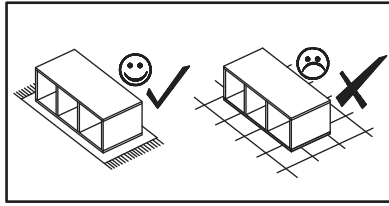
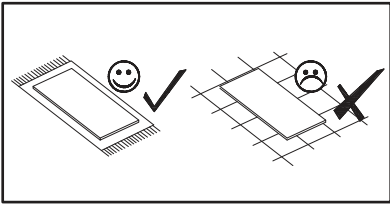

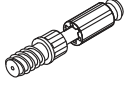


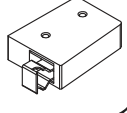

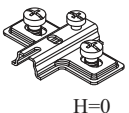
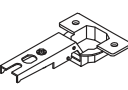

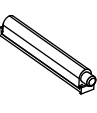
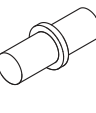

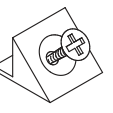

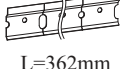



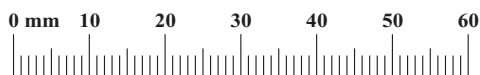
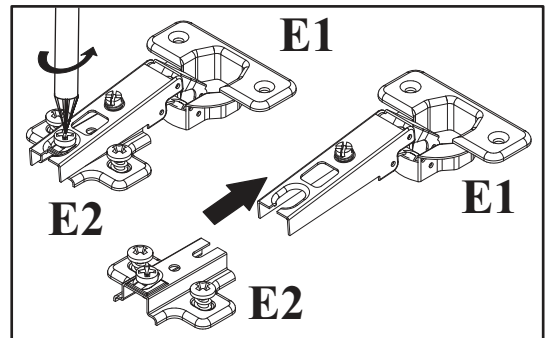
60 min

NO	Dim.			Col.-No	Qty
1	1228	274	16	1	1
2	1228	274	16	1	1
3	400	274	16	1	2
4	366	244	16	1	2
5	1240	378	3	1	1
106	394	1256	16	1	1

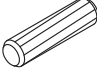

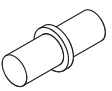
NO	Dim.			Col.-No	Qty
1	48 11/32	10 25/32	5/8	1	1
2	48 11/32	10 25/32	5/8	1	1
3	15 3/4	10 25/32	5/8	1	2
4	14 13/32	9 39/64	5/8	1	2
5	48 13/16	14 7/8	1/8	1	1
106	15 33/64	49 29/64	5/8	1	1

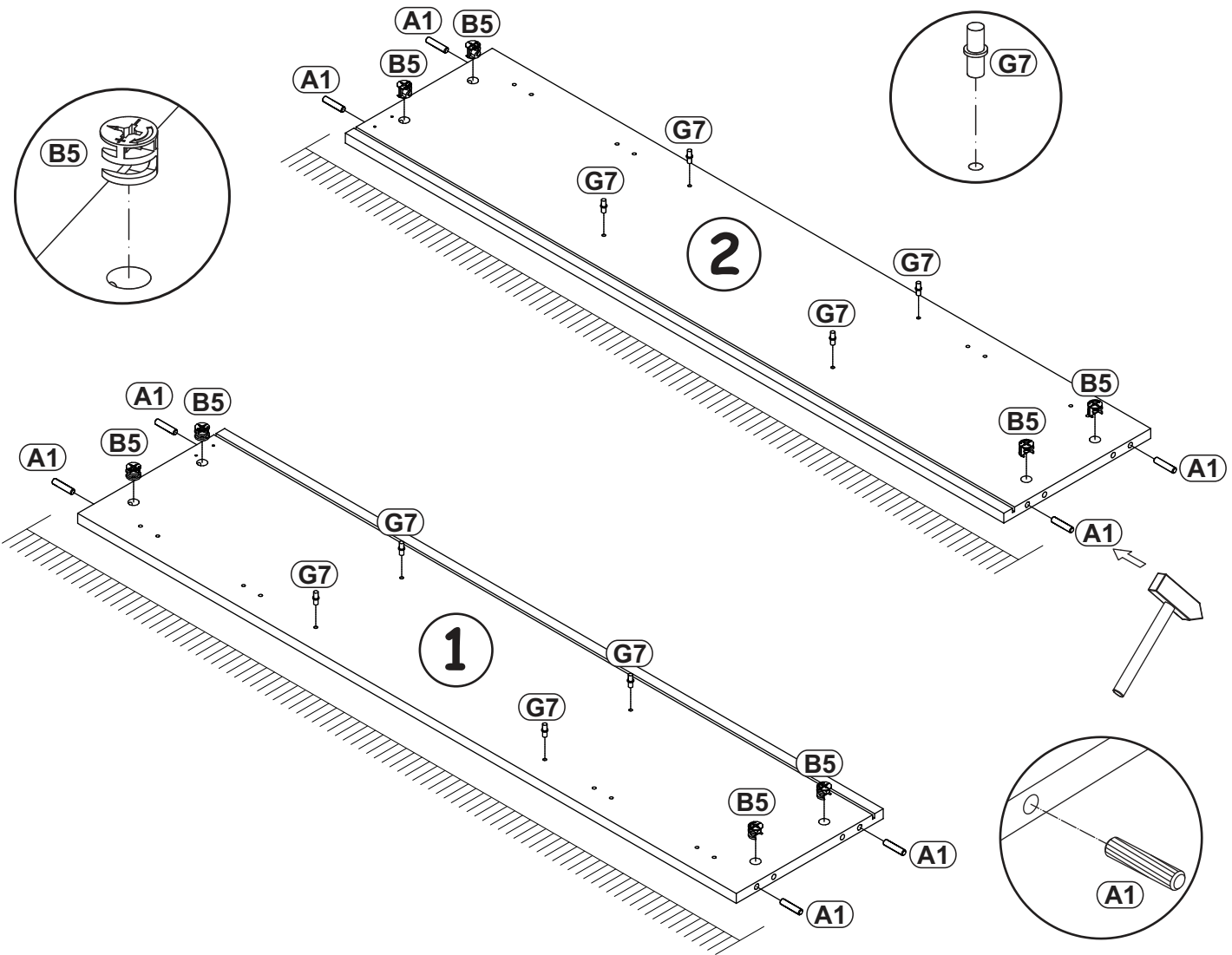


A1 x8	Ø5/16"x1 27/64"  ø8x36	B4 x8		B5 x8	Ø19/32"x15/32"  ø15x12	G5 x8		ZR1 x2		D6 x4	USØ9/64"x1 3/16"  USØ3,5x30
E2 x4	 H=0	E1 x4	Ø1 1/32"  Ø26 H=0	D10 x10	USØ9/64"x33/64"  USØ3,5x13	AM x1		G7 x8		Z2 x8	 Ø5
S1 x10		KR5 SFXP x1	Ø 25/64"/1 31/32" x2 23/64"  Ø10/50x60	SZ9 x1	L=14 1/4"  L=362mm	G2 x1					

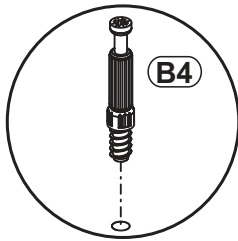


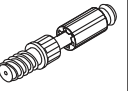
1

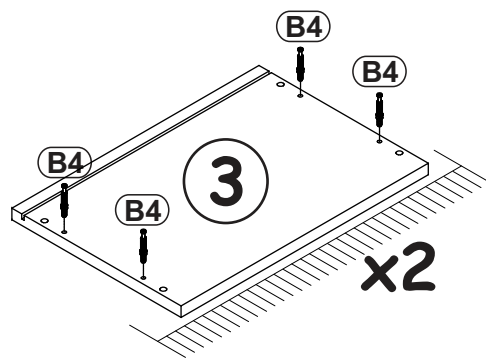
A1	Ø5/16"x1 27/64"  ø8x36	B5	Ø19/32"x15/32"  ø15x12	G7	
x8		x8		x8	



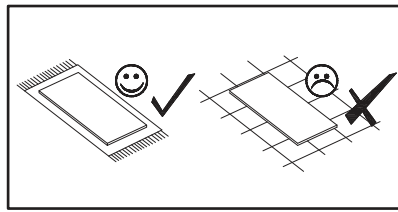
2



B4	
x8	

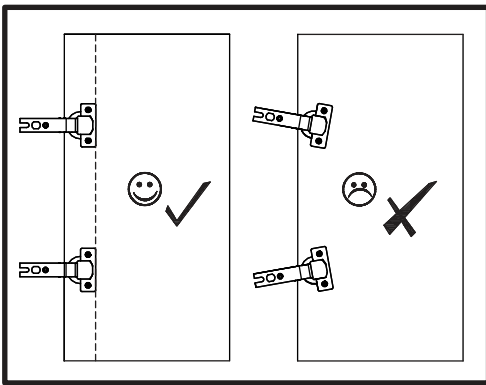
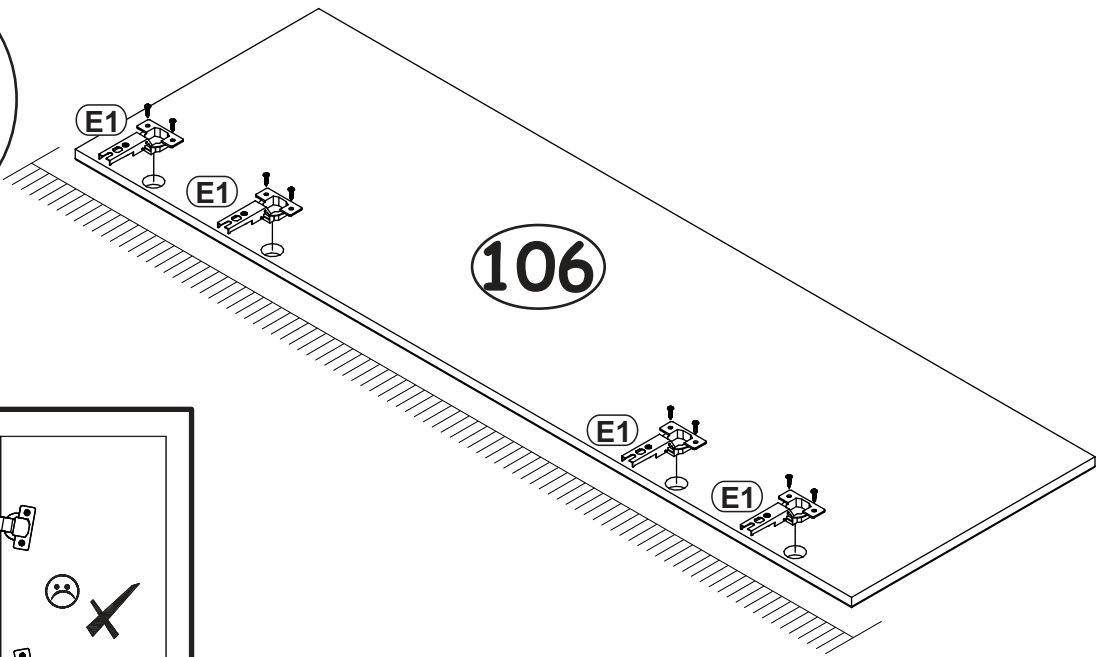
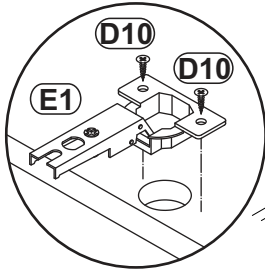


3



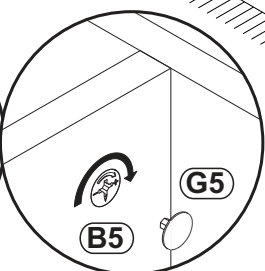
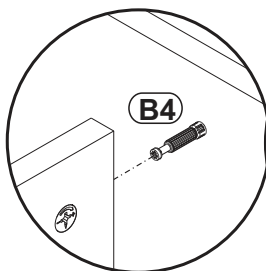
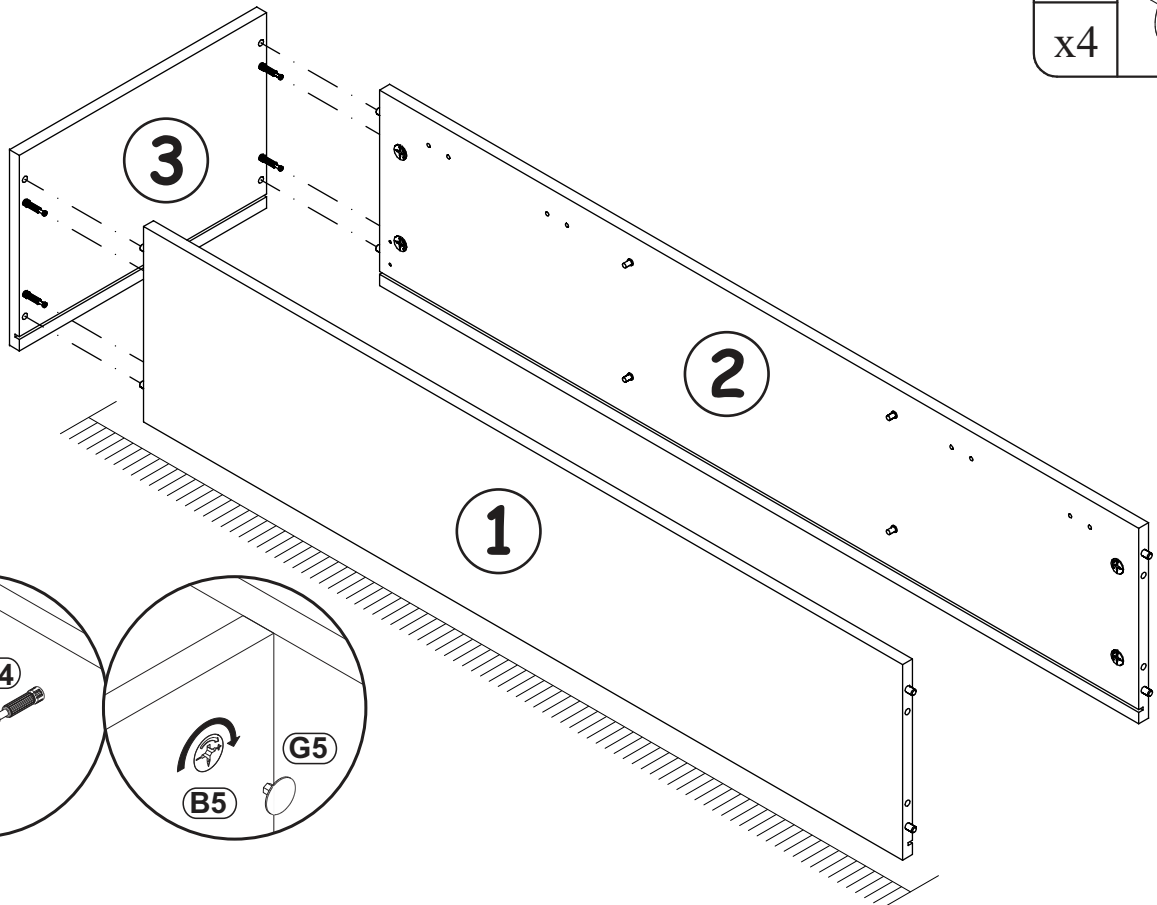
E1	Ø1 1/32"
x4	Ø26 H=0

D10	US09/64"x33/64"
x8	USØ3,5x13




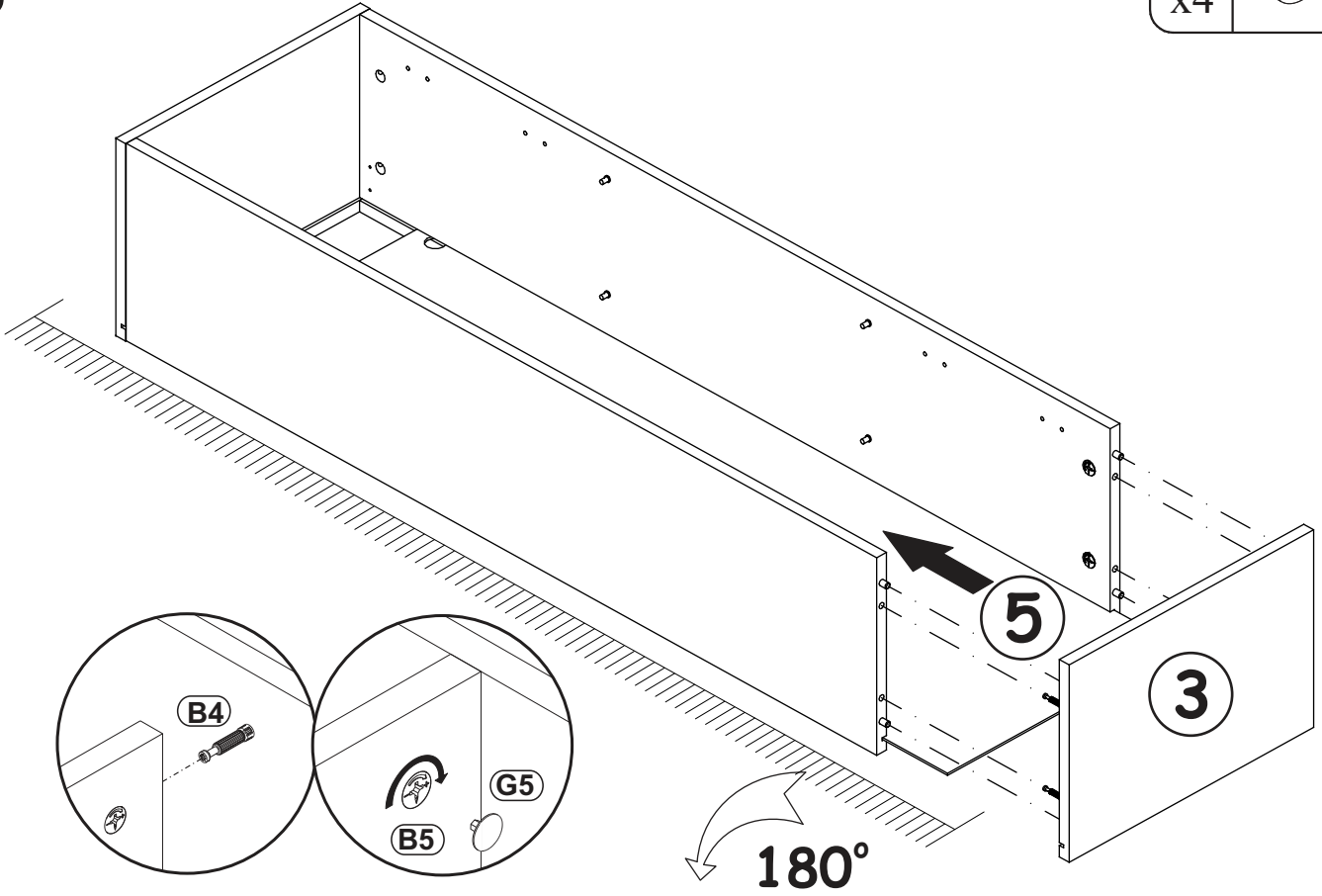
4

G5	
x4	



5

G5	
x4	



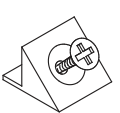
6

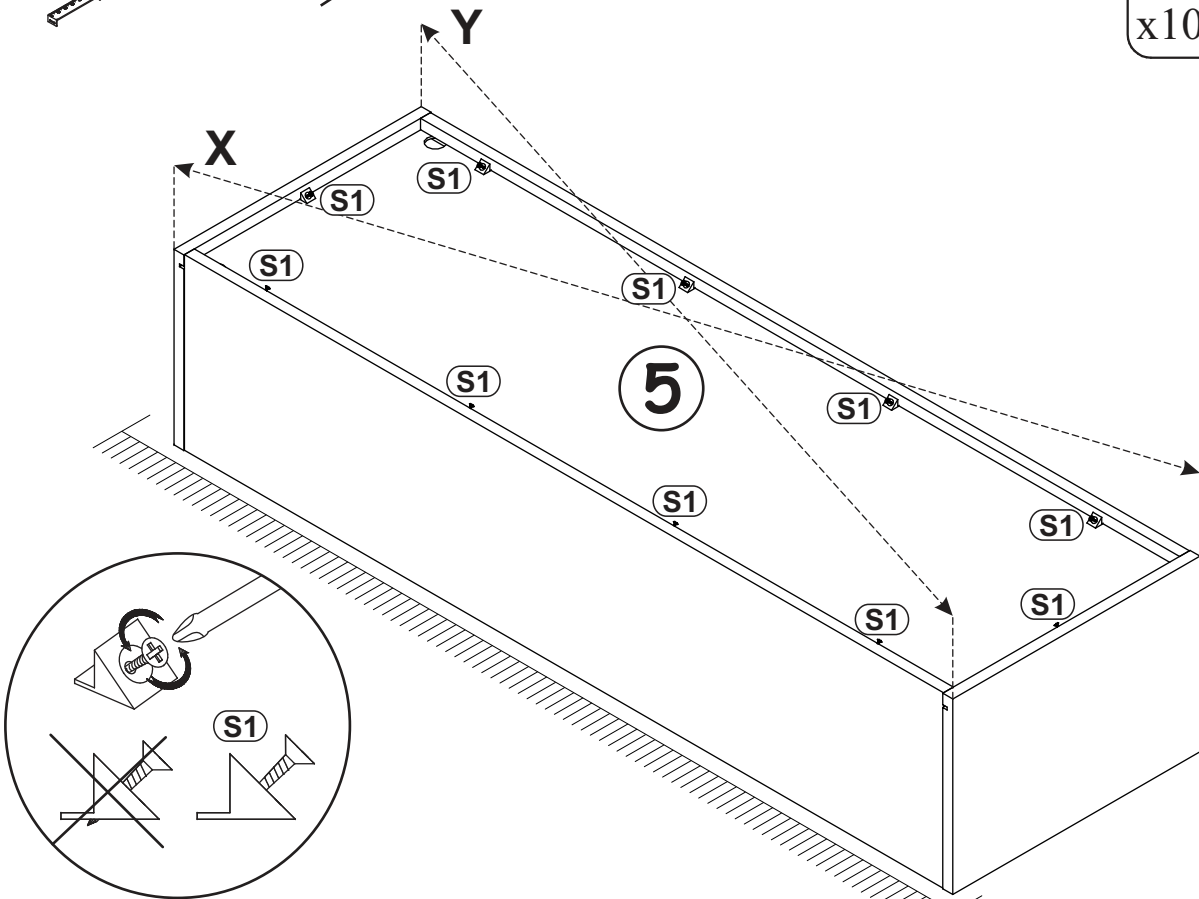


X=Y

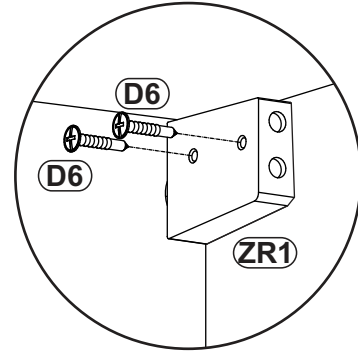
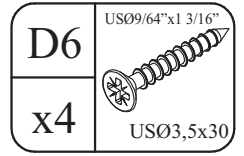
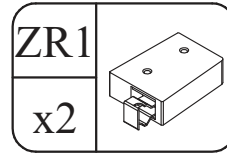
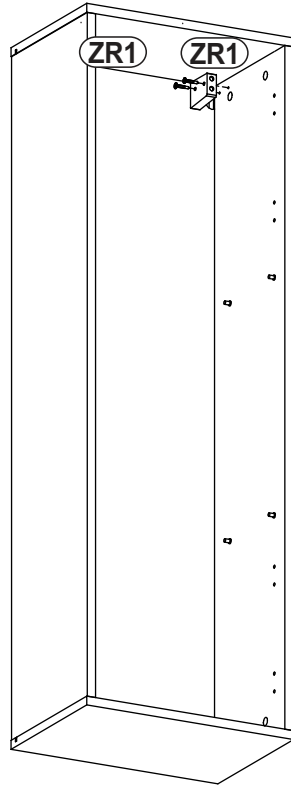
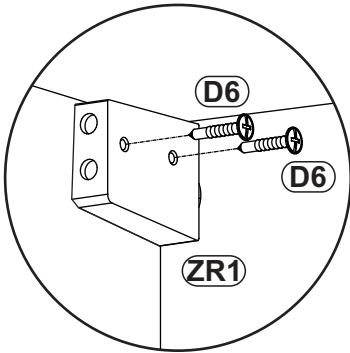


90°

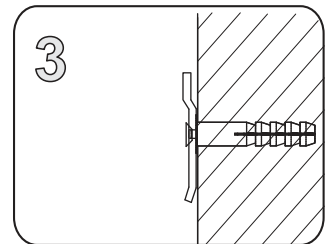
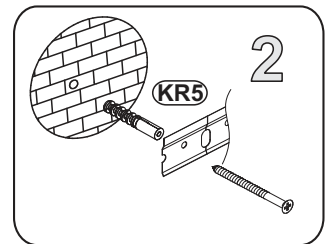
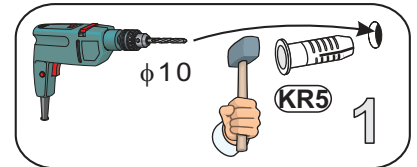
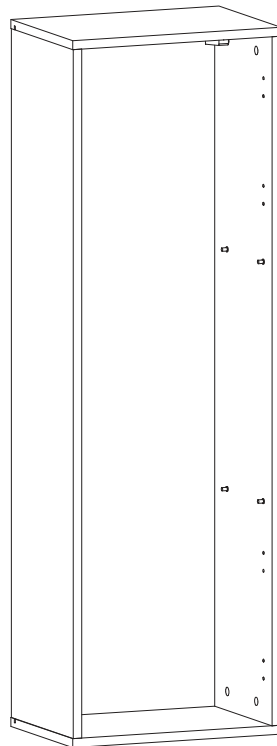
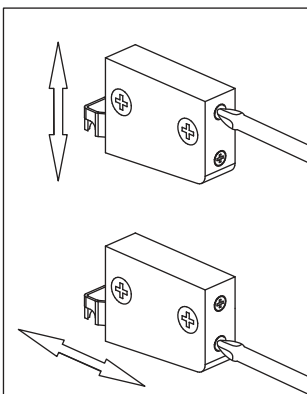
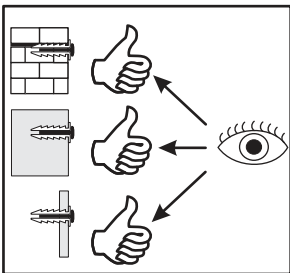
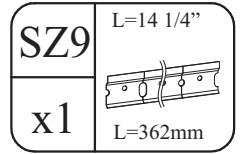
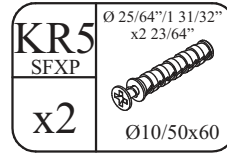
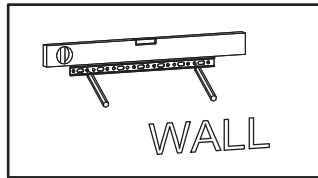
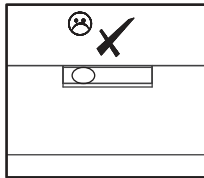
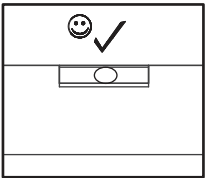
S1	
x10	



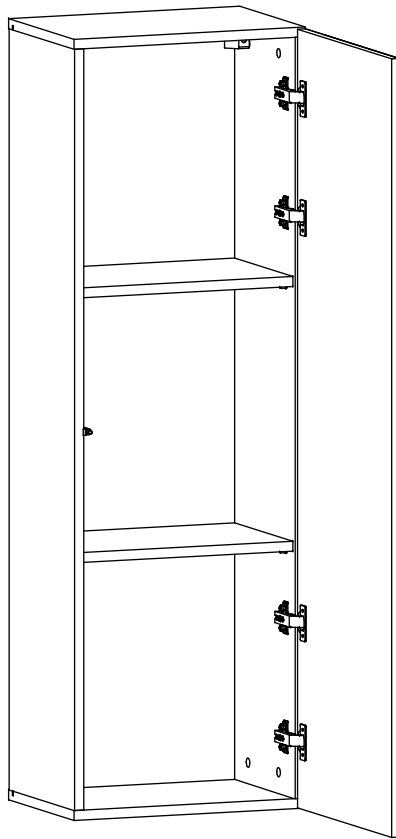
7



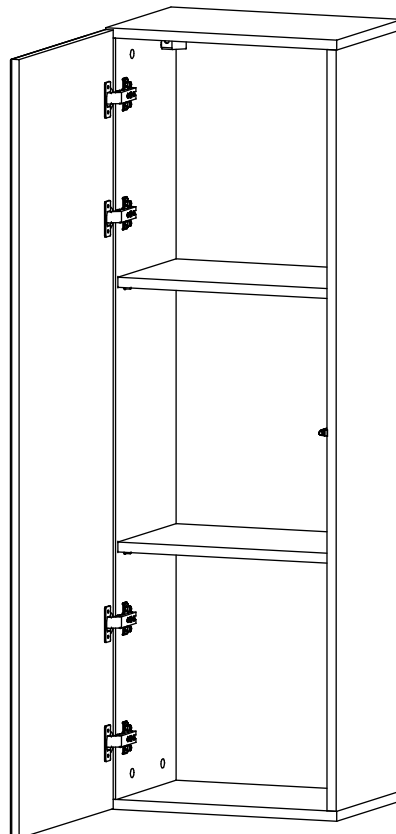
8



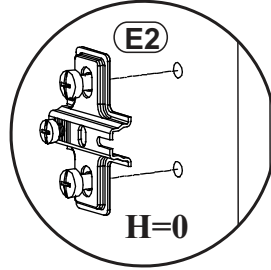
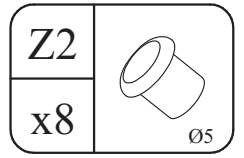
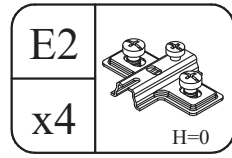
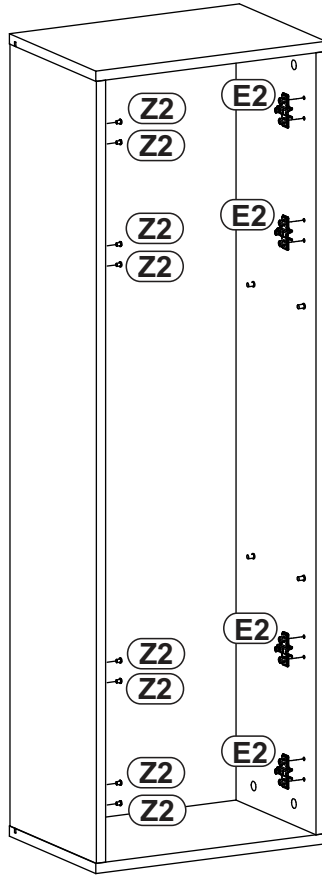
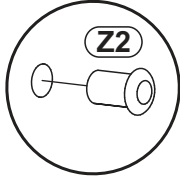
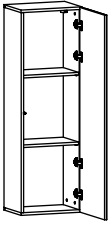
9-10



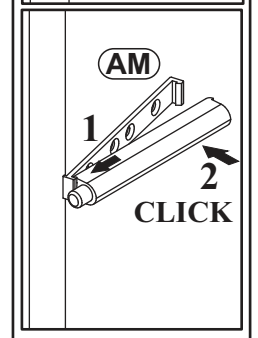
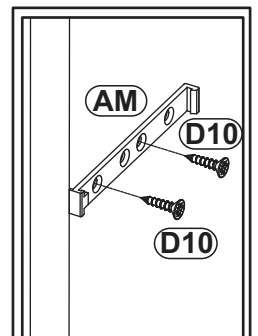
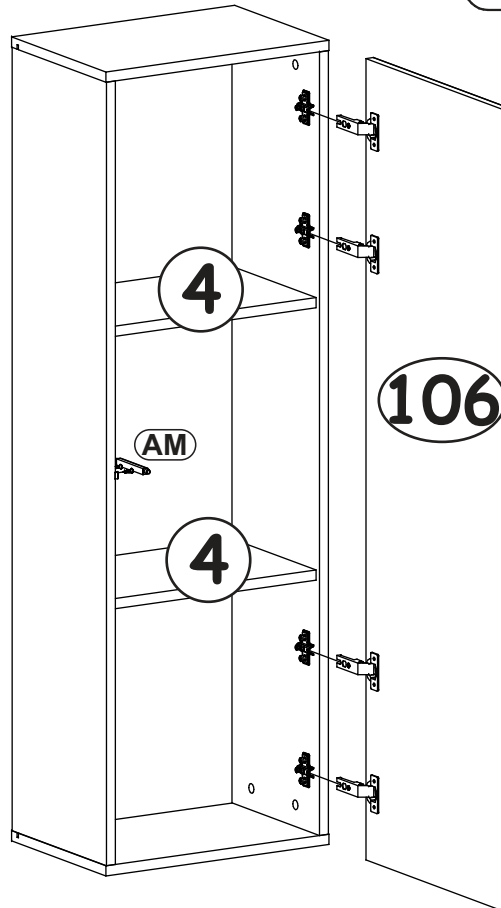
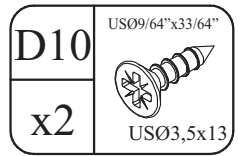
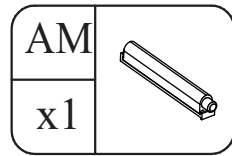
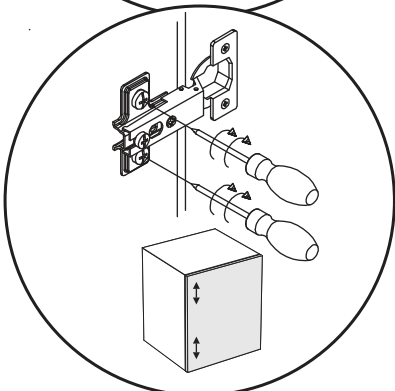
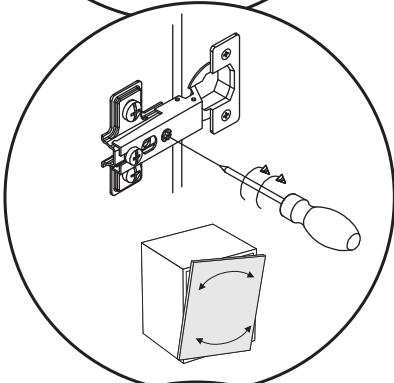
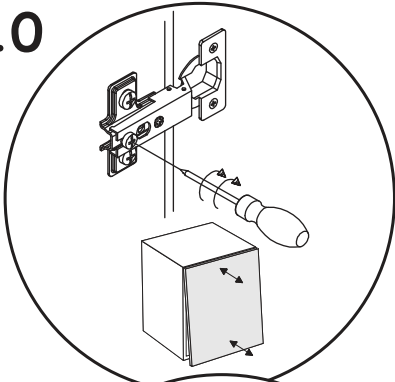
11-12



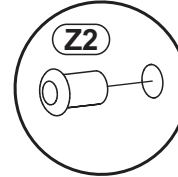
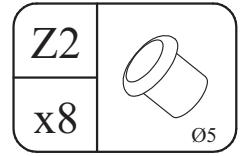
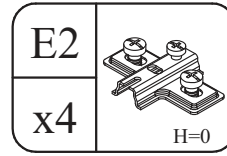
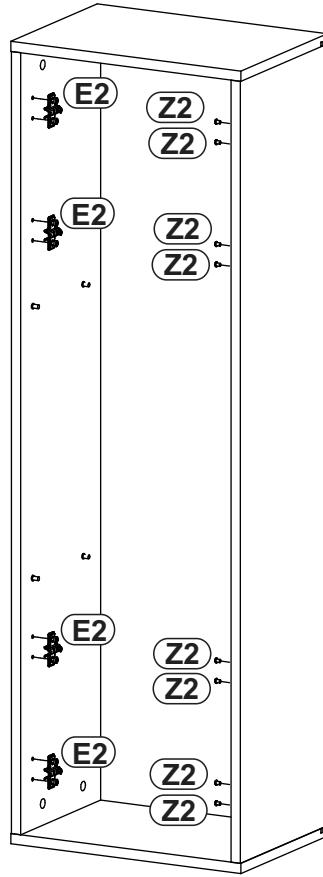
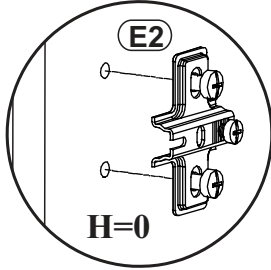
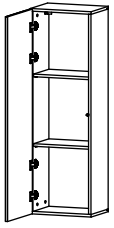
9



10



11



12

