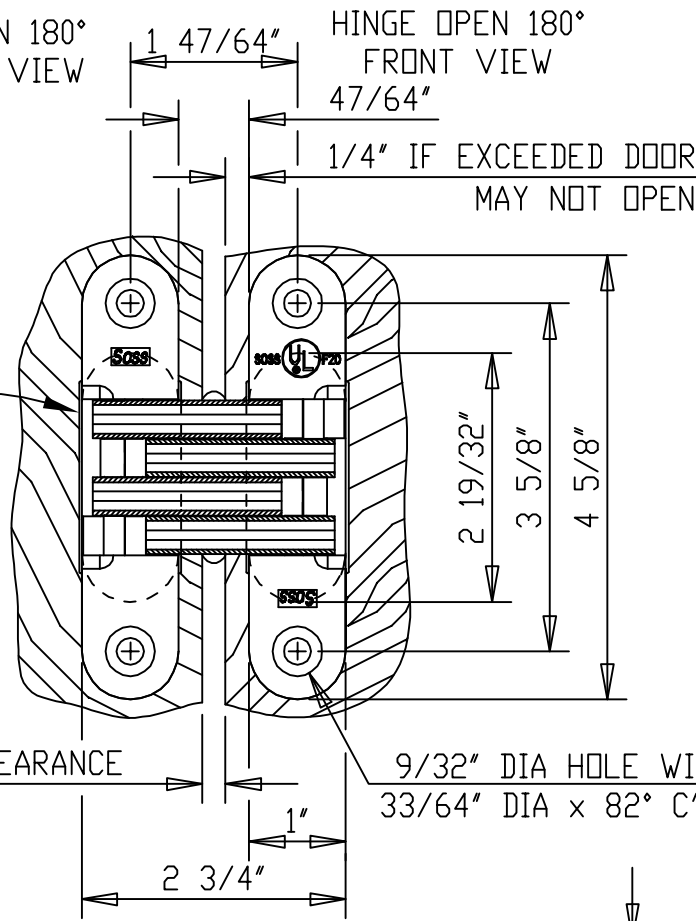
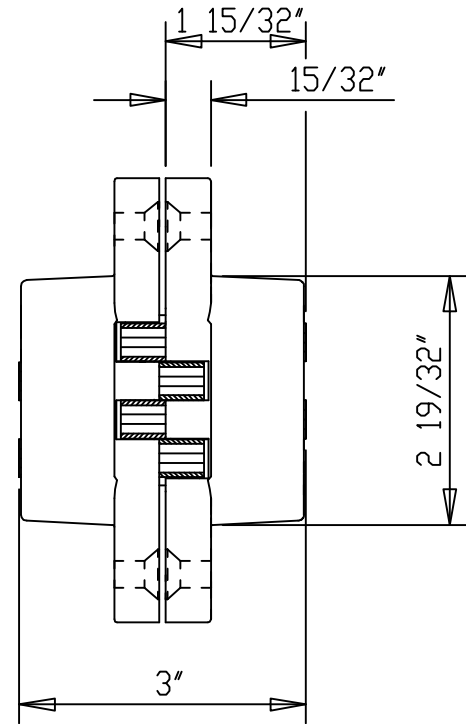


HINGE OPEN 180°  
ISOMETRIC VIEW



HINGE OPEN 180°  
FRONT VIEW  
47/64"

HINGE CLOSED  
FRONT VIEW CUT AWAY

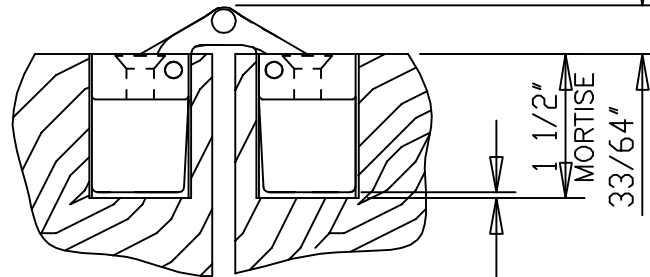


1/32 WIDE X 2 LONG RELIEF PKT FULL DEPTH, BOTH SIDES, SIDES, (CENTERED BETWEEN THE MOUNTING HOLES) IN THE FRAME AND IN THE DOOR POCKET TO PROVIDE CLEARANCE FOR HINGE LINK PLATES, WHEN MORTISING, AS DRAWN.

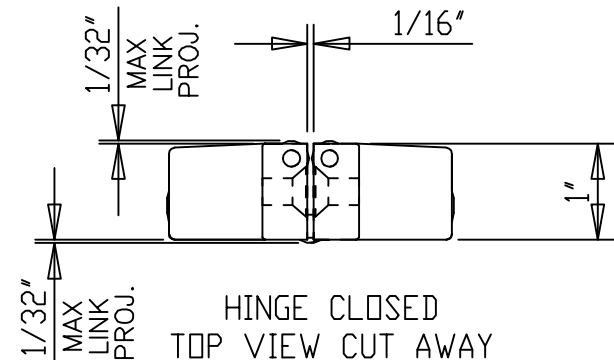
15/64" DOOR CLEARANCE

9/32" DIA HOLE WITH  
33/64" DIA x 82° C'SINK

SUPPLIED:  
WOOD SCREW  
#14 x 1-1/2"  
SPECIAL ORDER:  
MACH. SCREW  
1/4-20 x 1"



HINGE OPEN 180°  
TOP VIEW CUT AWAY



HINGE CLOSED  
TOP VIEW CUT AWAY

MIN. MATERIAL THICKNESS IS 1-3/8"  
DO NOT SCALE DRAWING  
ALL DIMENSIONS ARE IN INCH  
DOOR CLEARANCE REDUCES TO 1/64" WHILE CLOSING  
SEE DWG# 4477-C IF ADDING MATERIAL TO DOOR FACE AND/OR FRAME FACE

**UIP** ©Copyright  
Universal Industrial Products, Inc.  
One Coreway Drive  
Pioneer, Ohio 43554-0628

SCALE: 1/2 = 1

DRAWN BY: LHH

HINGE TEMPLATE

DATE: 5/01/11

#216FR SOSS INVISIBLE HINGE

DRAWING # 216FR