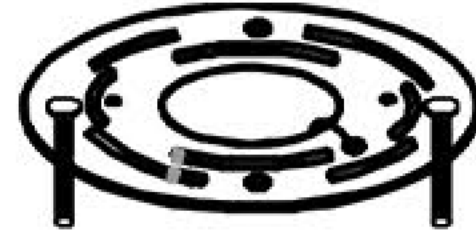

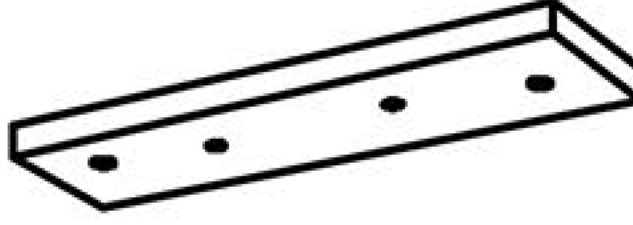

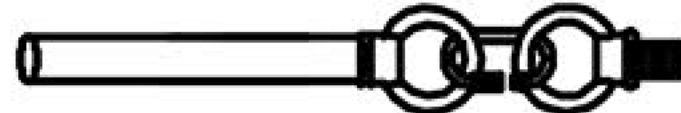

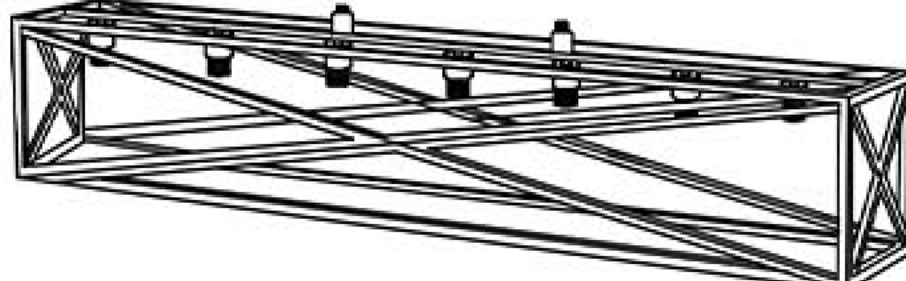





### Installation Steps:

- Step 1:** Lock the connecting rod (6) on the light frame (7), and then lock the remaining connecting rod (6) in turn.
- Step 2:** The chain + connecting rod (5) is locked on the connecting rod (6).
- Step 3:** Use the nut on the chain + connecting rod (5) and the gasket to lock the canopy (3) on the chain + connecting rod (5).
- Step 4:** Fix the mounting plate (1) to the ceiling with screws (2).
- Step 5:** Use the green screws on the mounting plate (1) to lock the ground wire to the mounting plate (1).
- Step 6:** Open the fittings (9) connect the positive "L" and negative "N" of the main and power cables separately with the P3 wiring cap inside.
- Step 7:** Fix the canopy (3) on the mounting plate (1) with nuts (4).
- Step 8:** Fasten the glass shade (8) to the lamp holder with the lamp holder ring.
- Step 9:** Install light bulbs (not included).

### Accessories:

1: Mounting Plate*1		2: Screws*3	
3: Canopy*1		4: Nut*2	
5: Chain+Rod*2		6: Rod*10	
7: Light Frame*1		8: Glass Shade*7	
9: Fittings*3		10: Wrench*1	

**Notice:** This light fixture should be installed in accordance with all applicable, local installation codes, and by a person familiar with the construction and operation of it, as well as the hazards involved. Inspect items and contents carefully. If any damage or defect is found, do not install it.