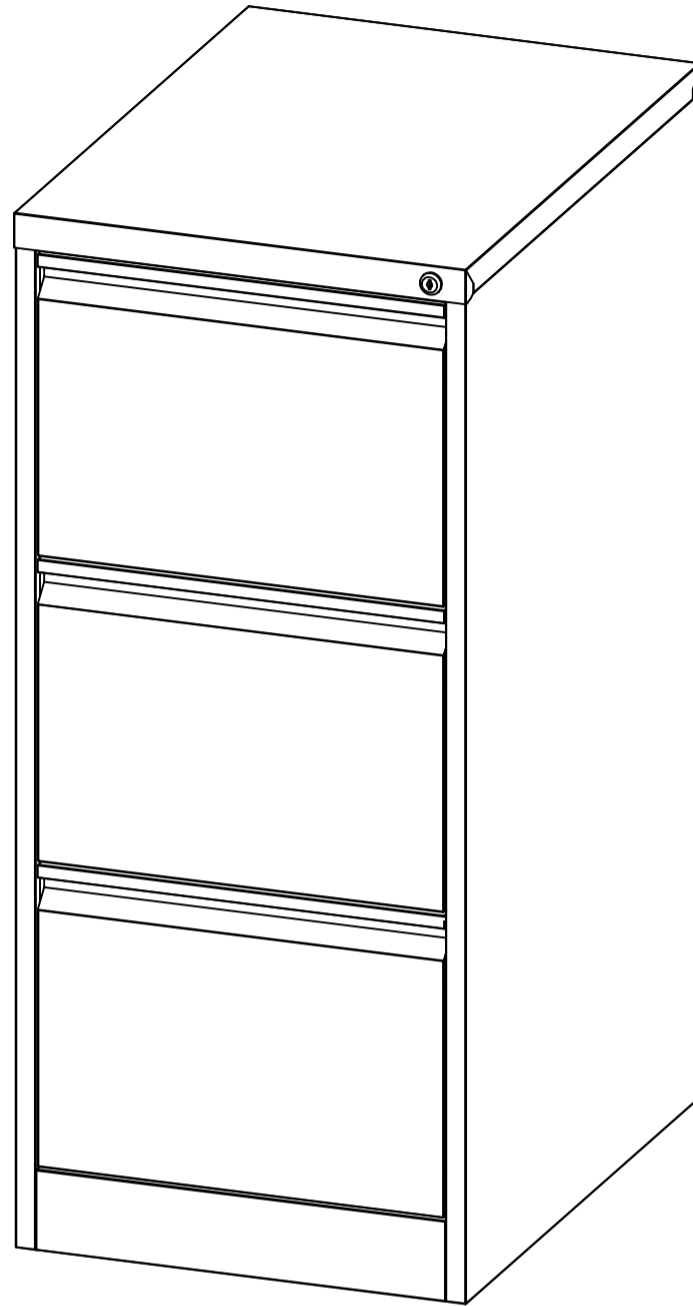
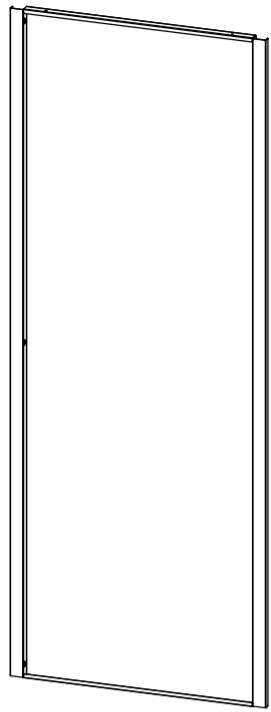


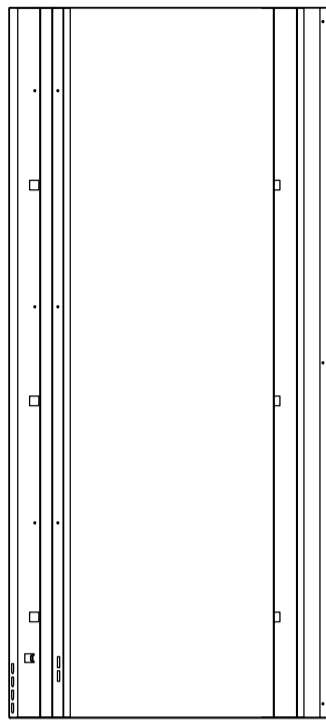
VERTICAL FILE CABINET ASSEMBLY INSTRUCTIONS



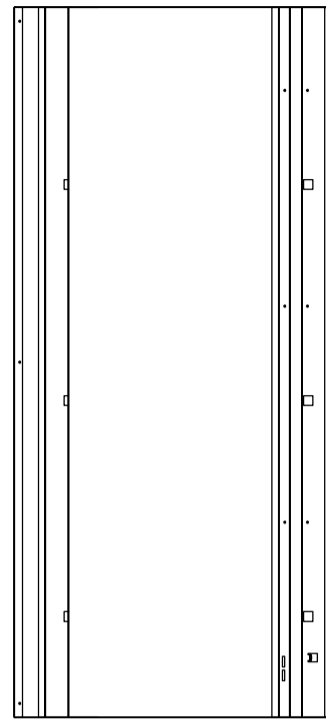
NOTE: The assembling task can be performed by one person but availability of a second person will make the task simpler.



A:Backboard



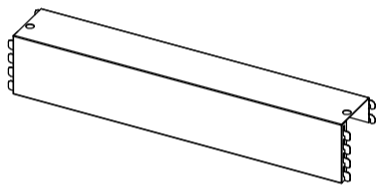
B:Left side



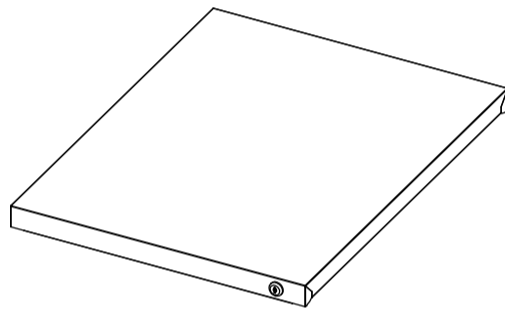
C:Right side



E:lock rod



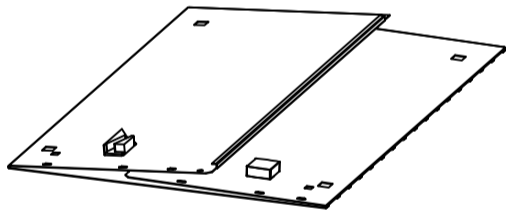
D:Bottom rail



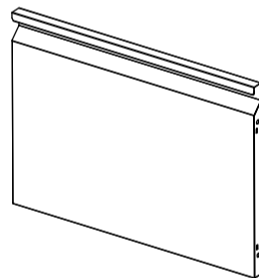
E:Top plate



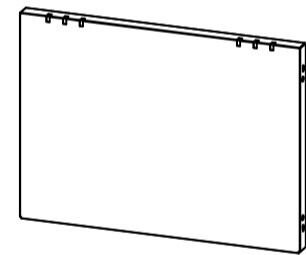
G:pull rod *2



H:Drawer body *3

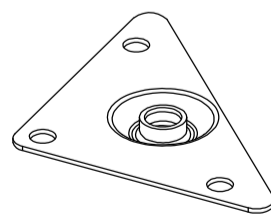
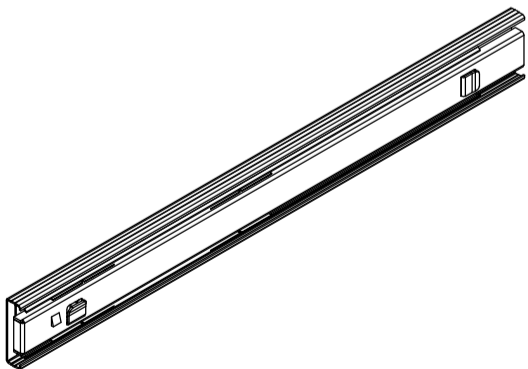


I:Drawer panel *3



J:Drawer Inside panel *3

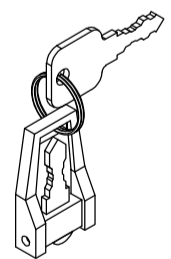
L:Left side rail *3



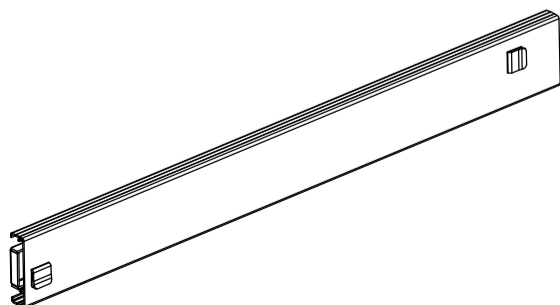
Y:Triangular fixing board *4



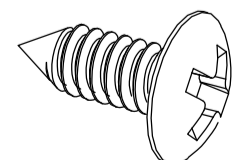
K:Folder adjusting plate *3



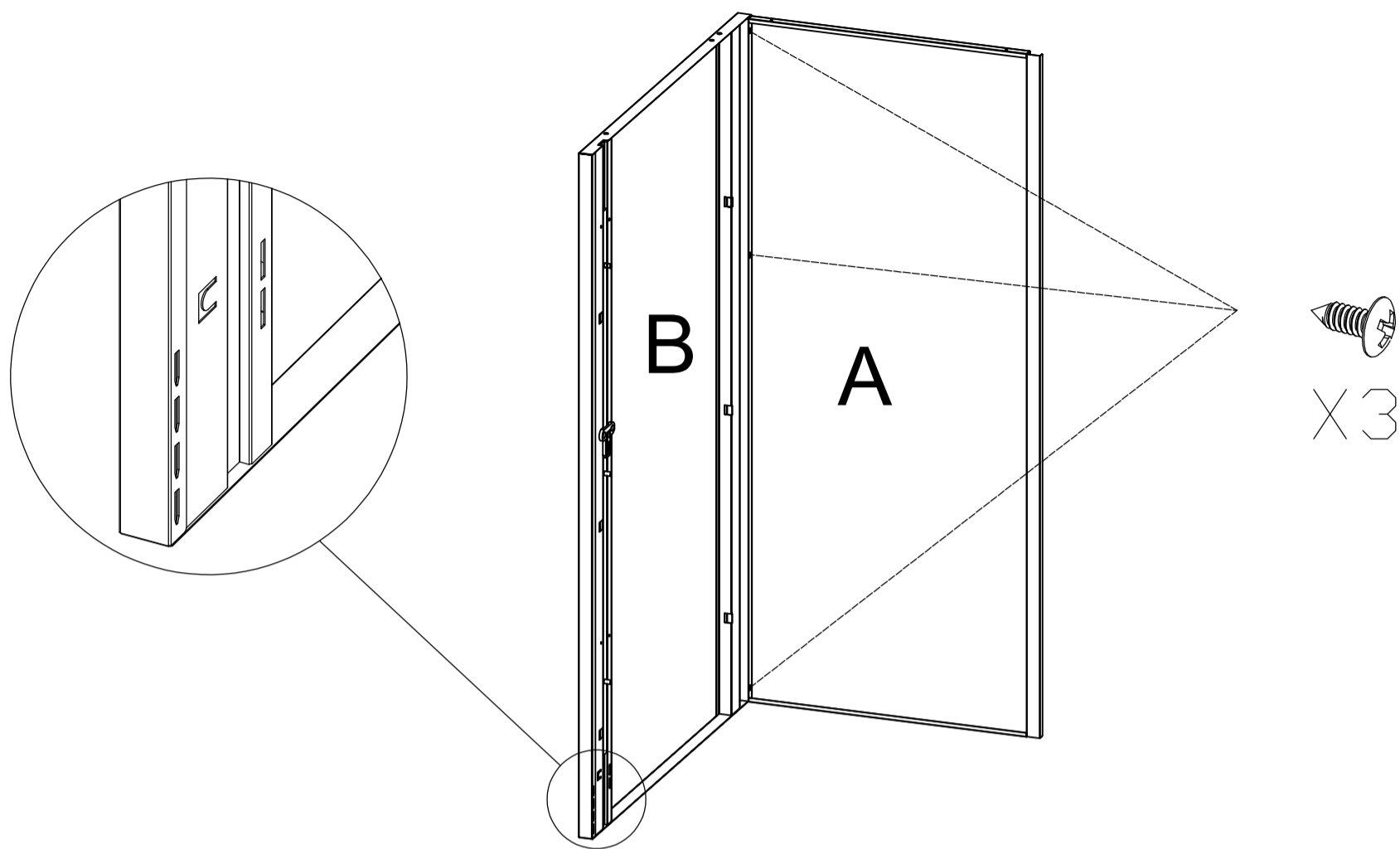
X:Key



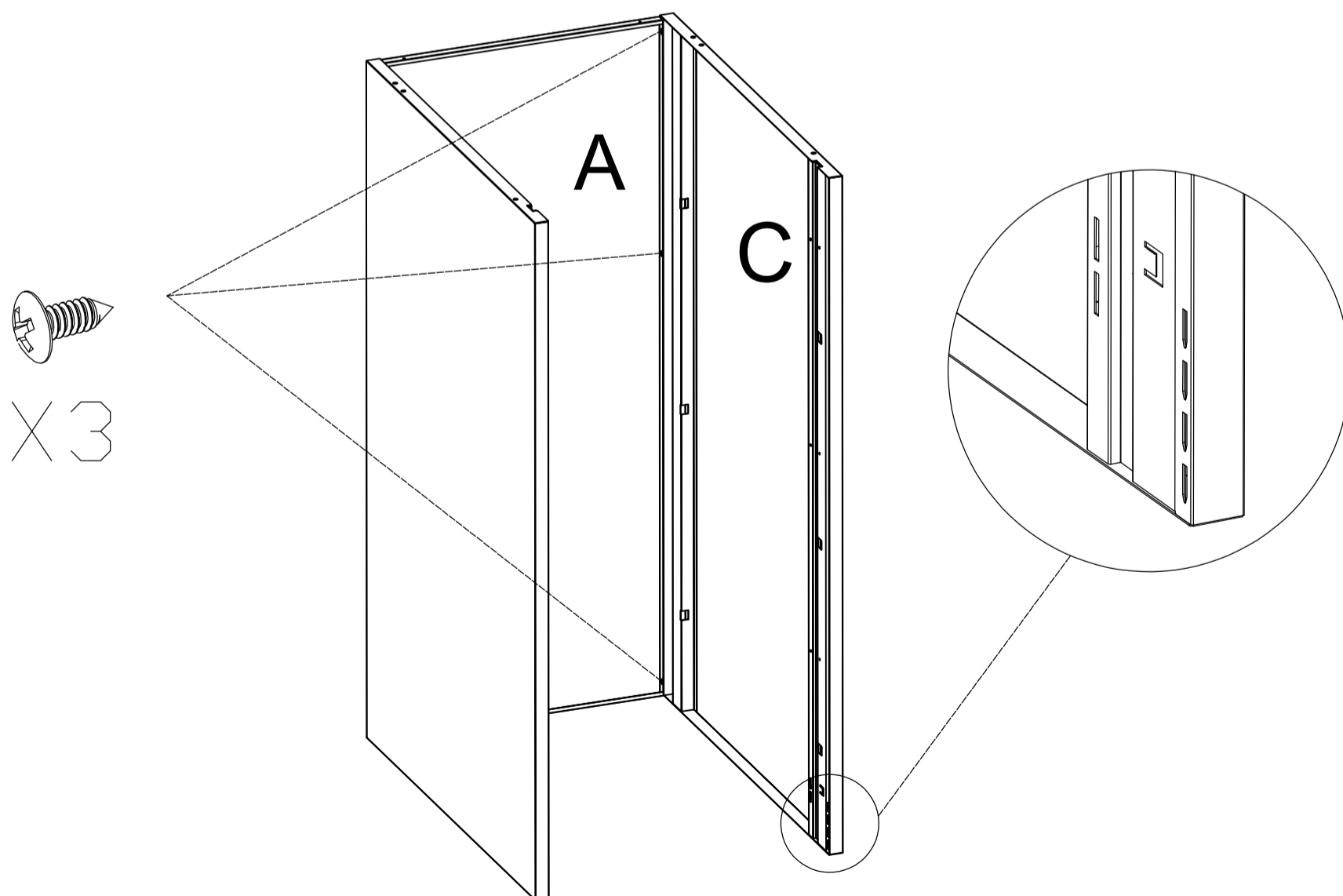
M:Right side rail *3



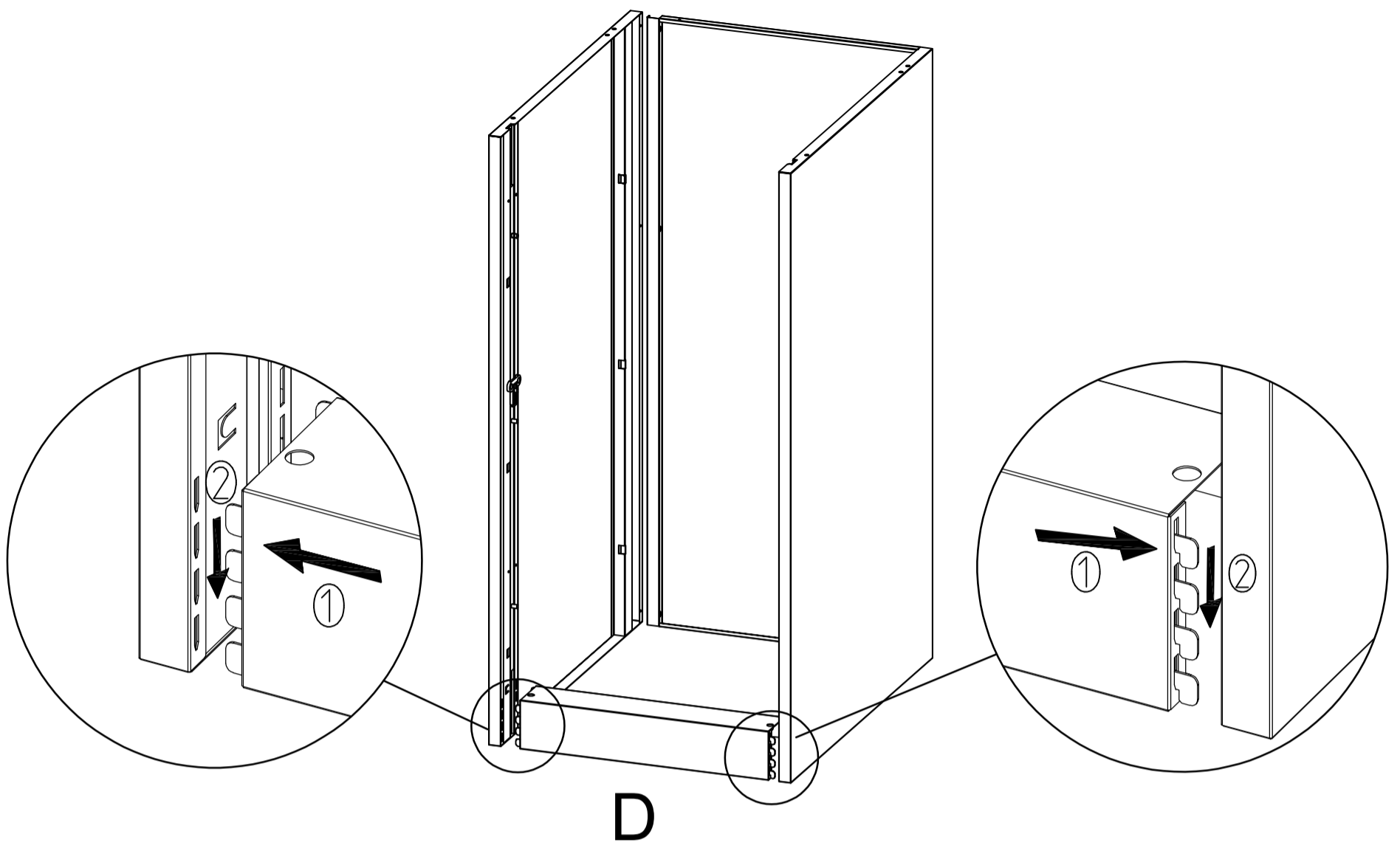
Z:Self-tapping yarn *44



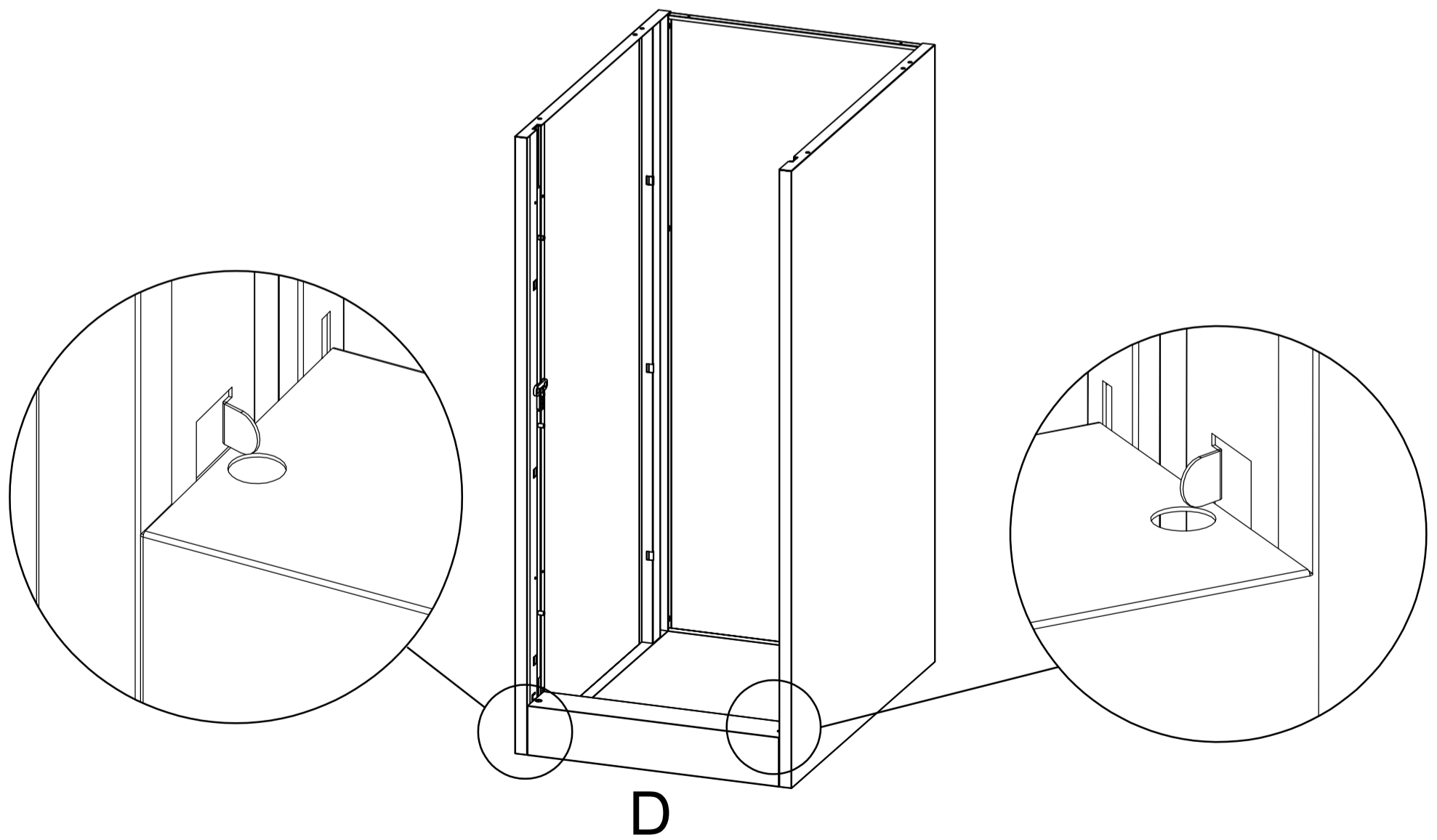
1. Assemble A and B, secure with screw Z



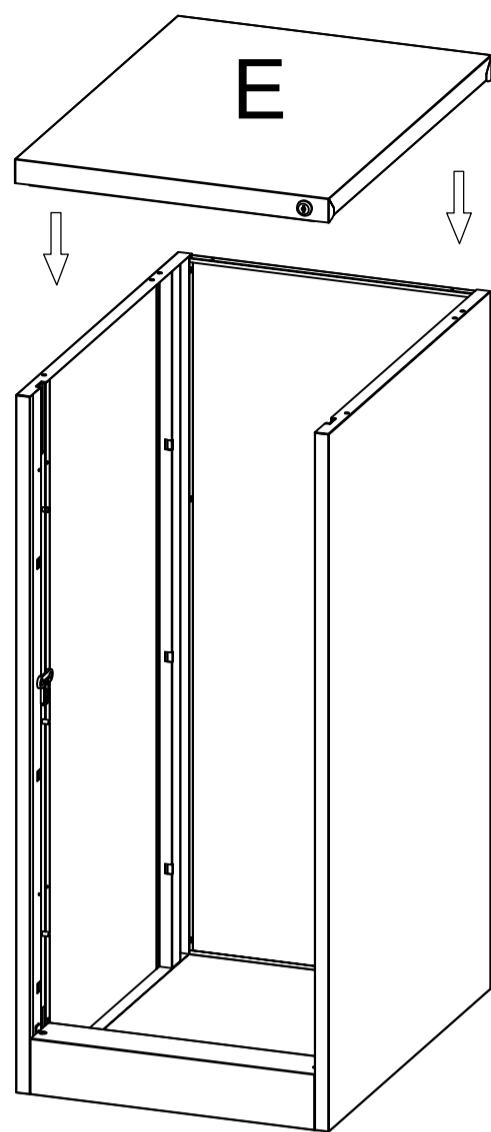
2. Assemble A and C, secure with screw Z



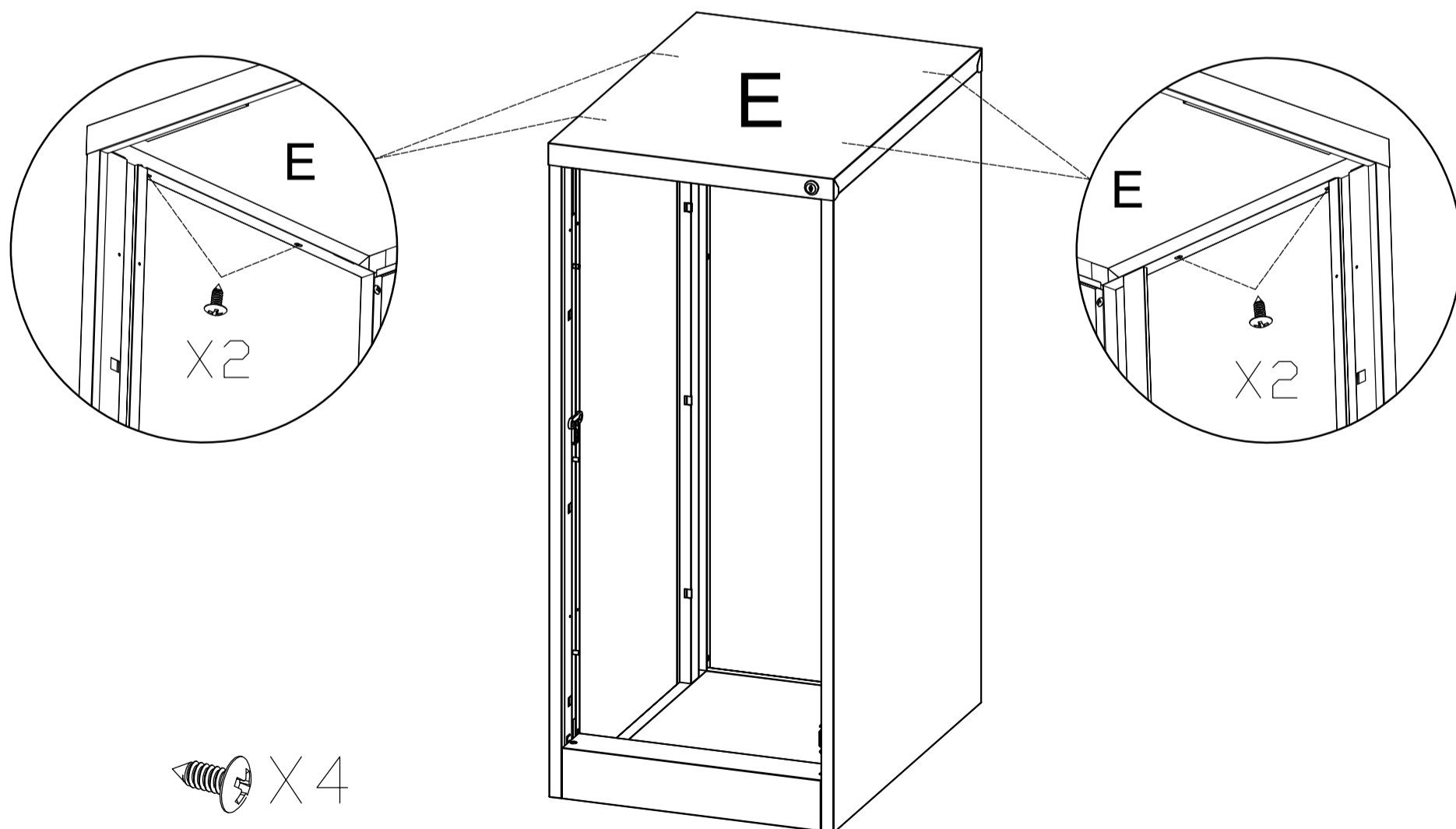
3. Install D



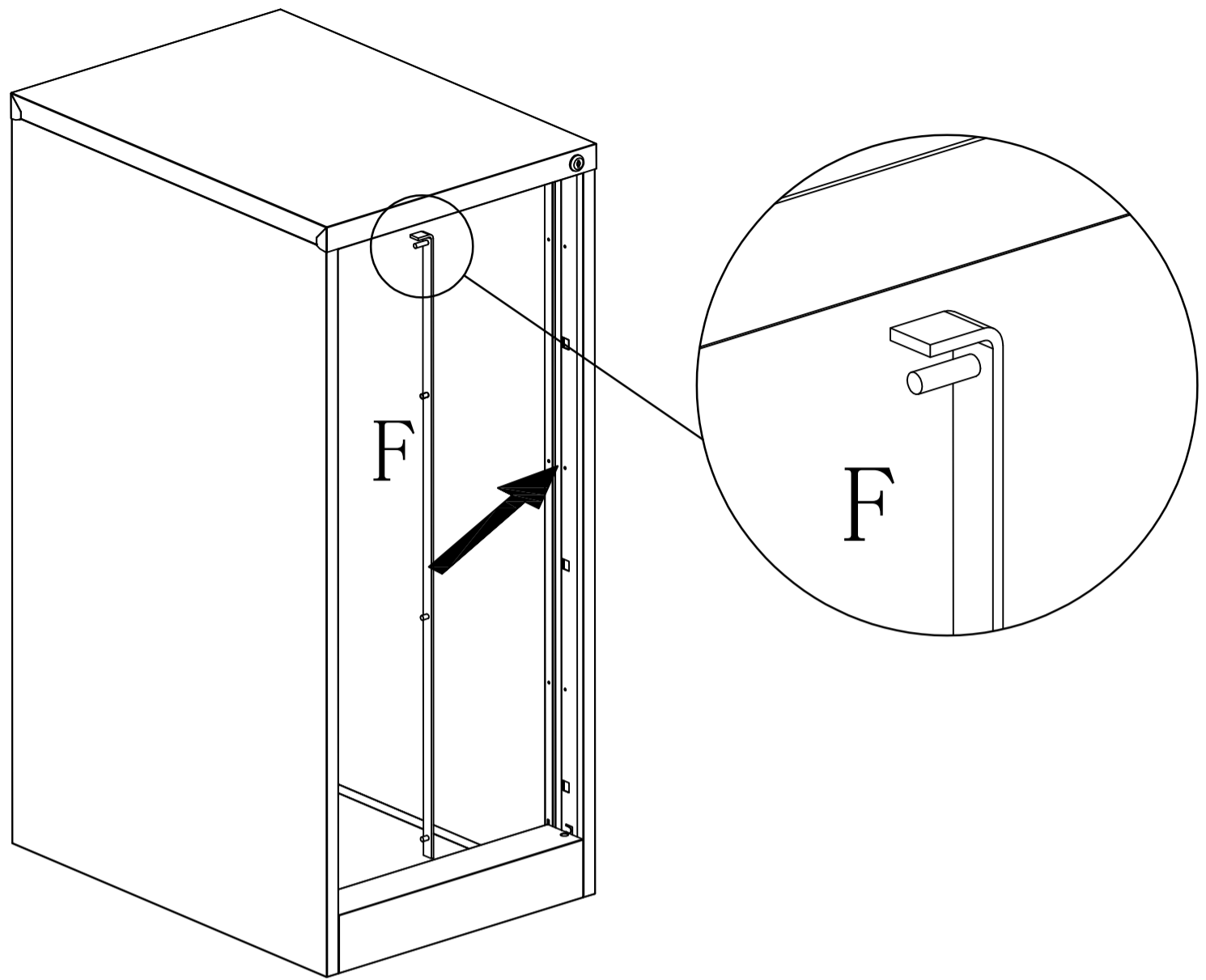
4. Open baffle



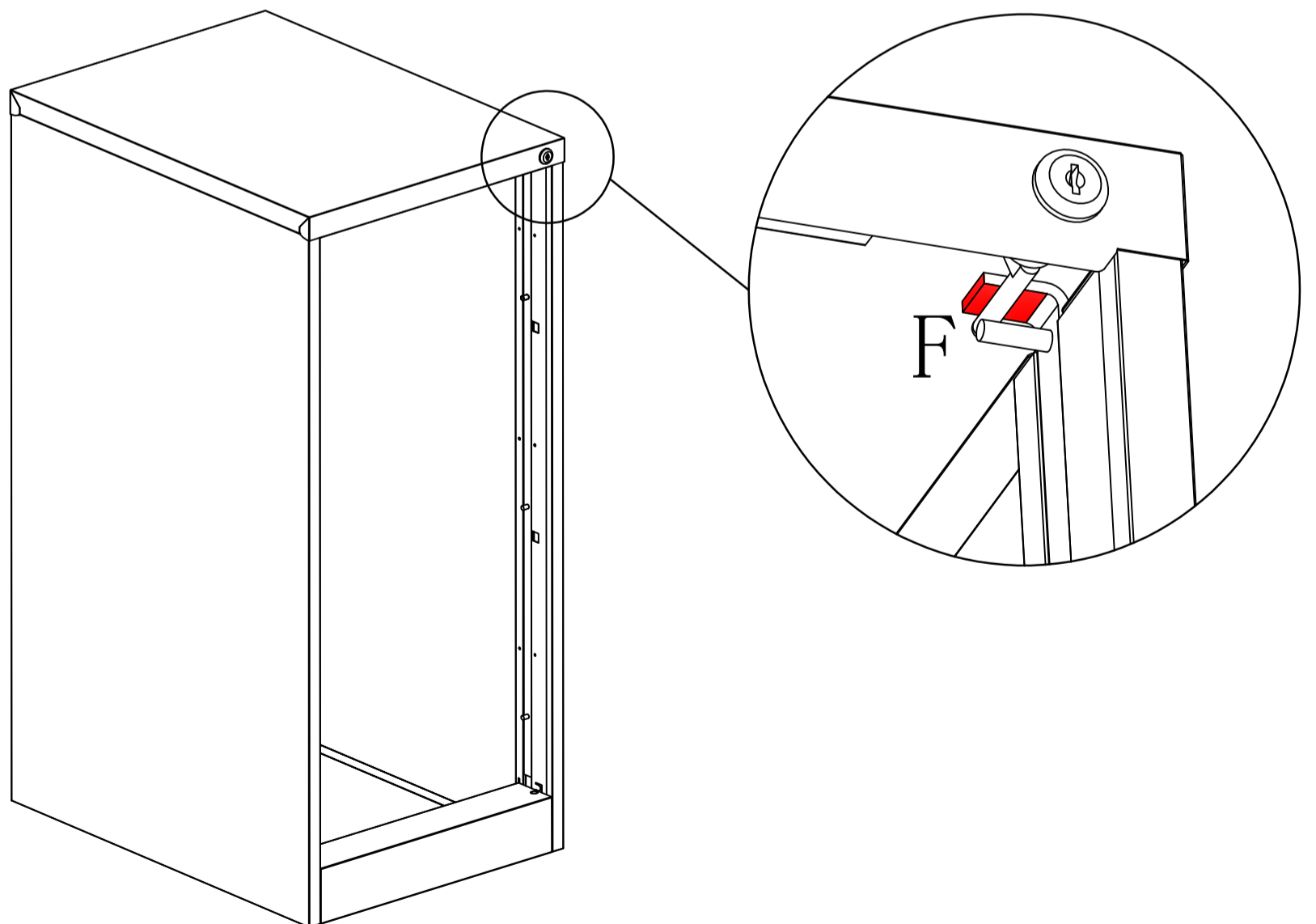
5. Install E



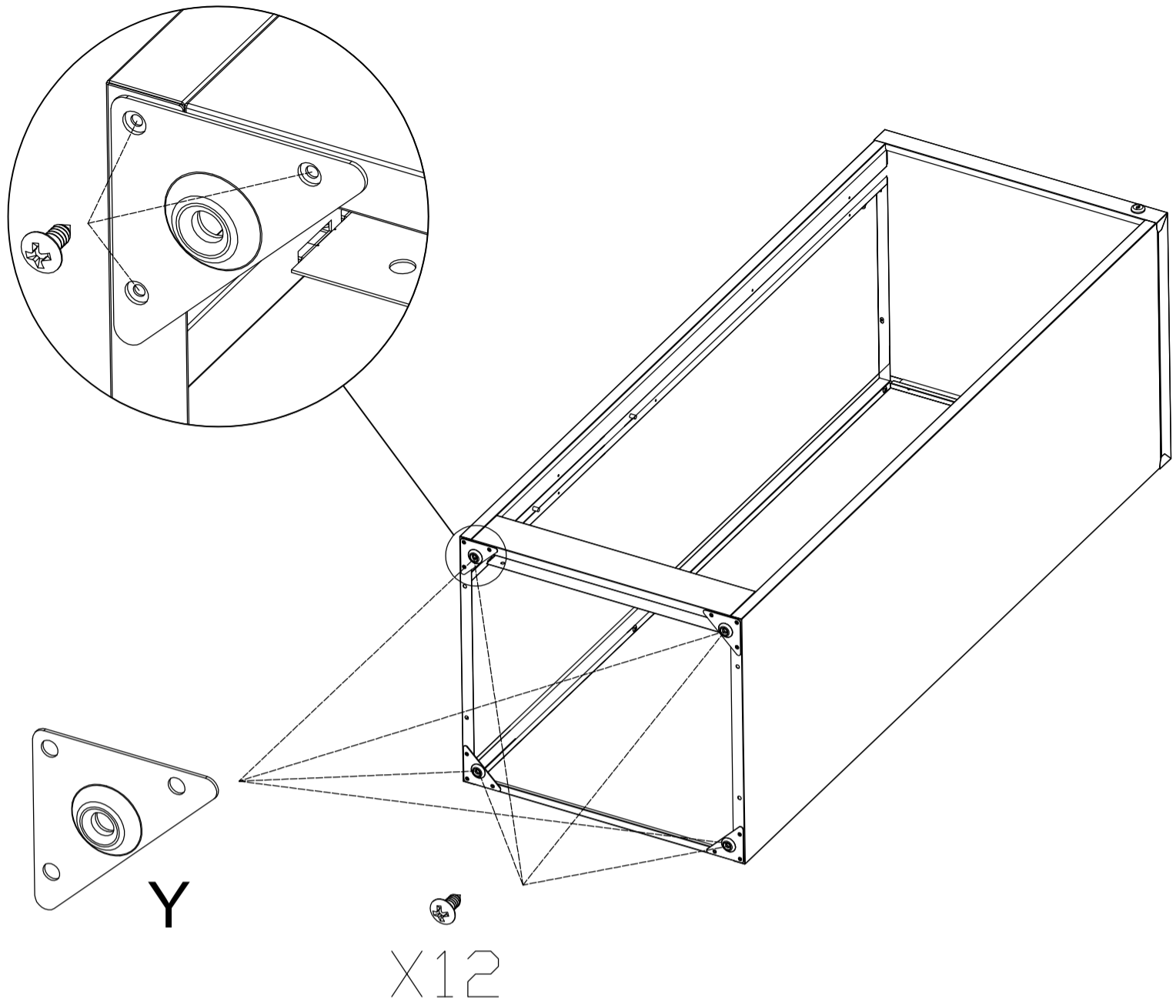
6. Secure with screw Z



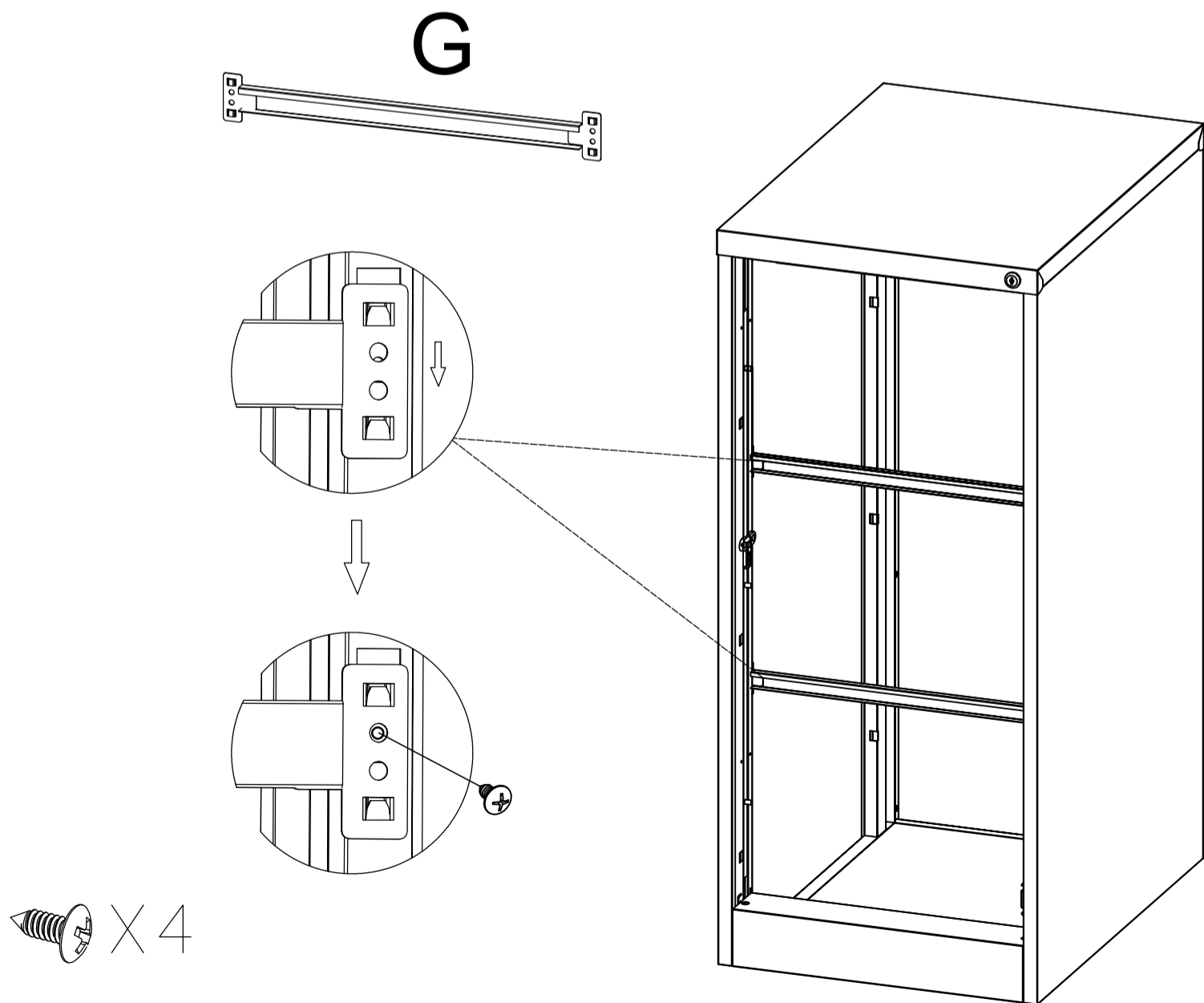
7. Install F



8. F Hook the lock

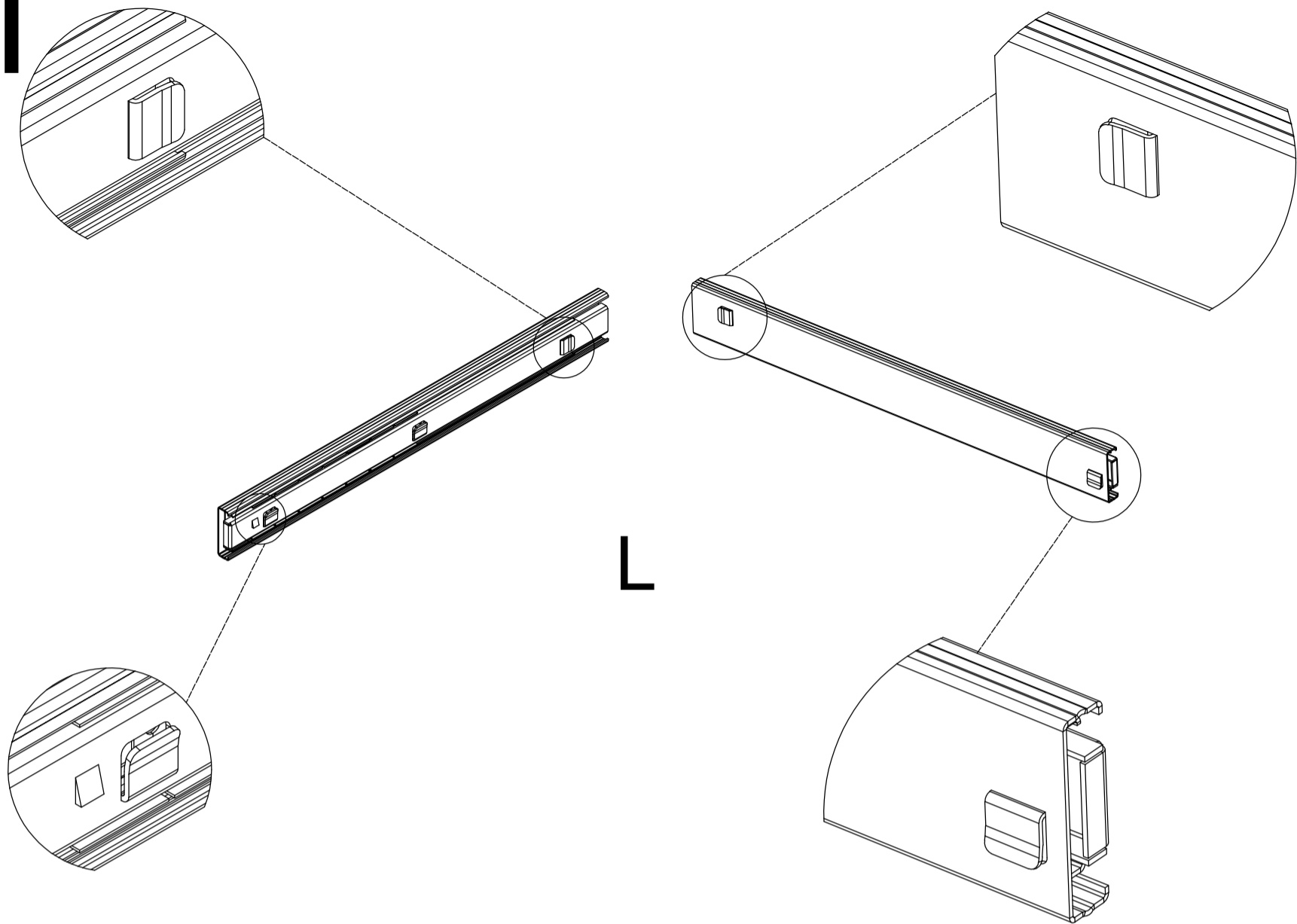


9. Install Y, secure with screw Z



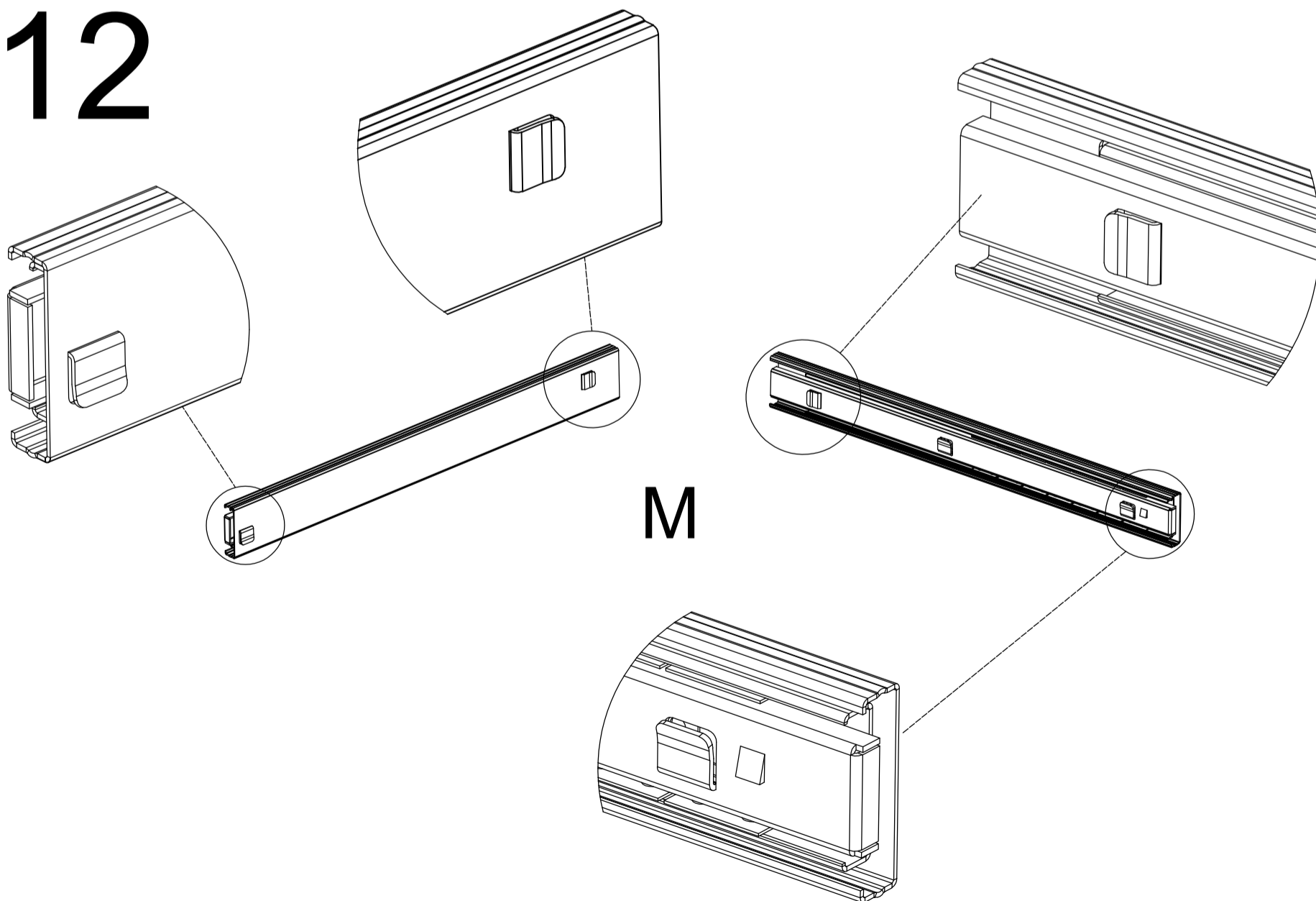
10. Install G, secure with screw Z

11

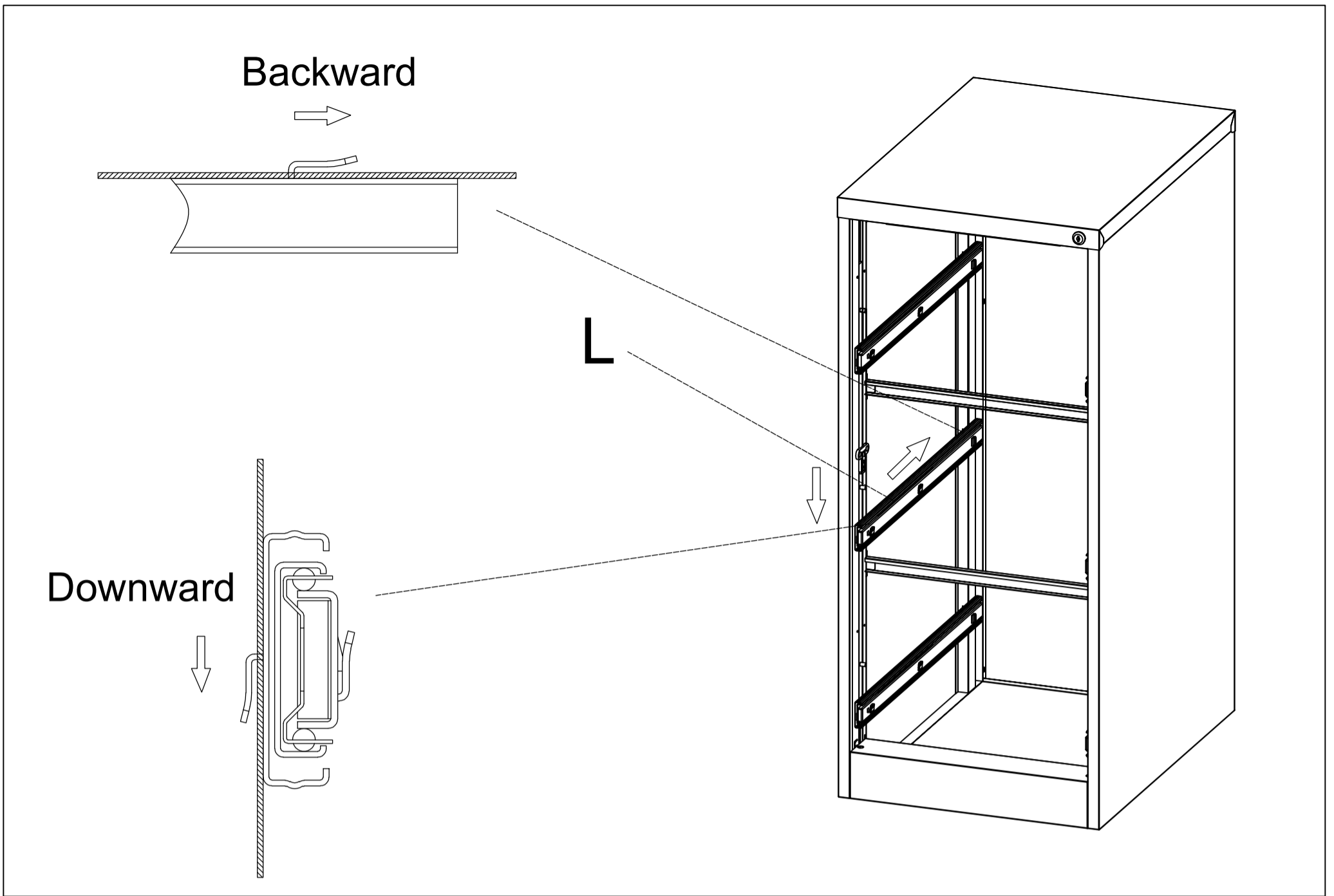


11. Left side rail L

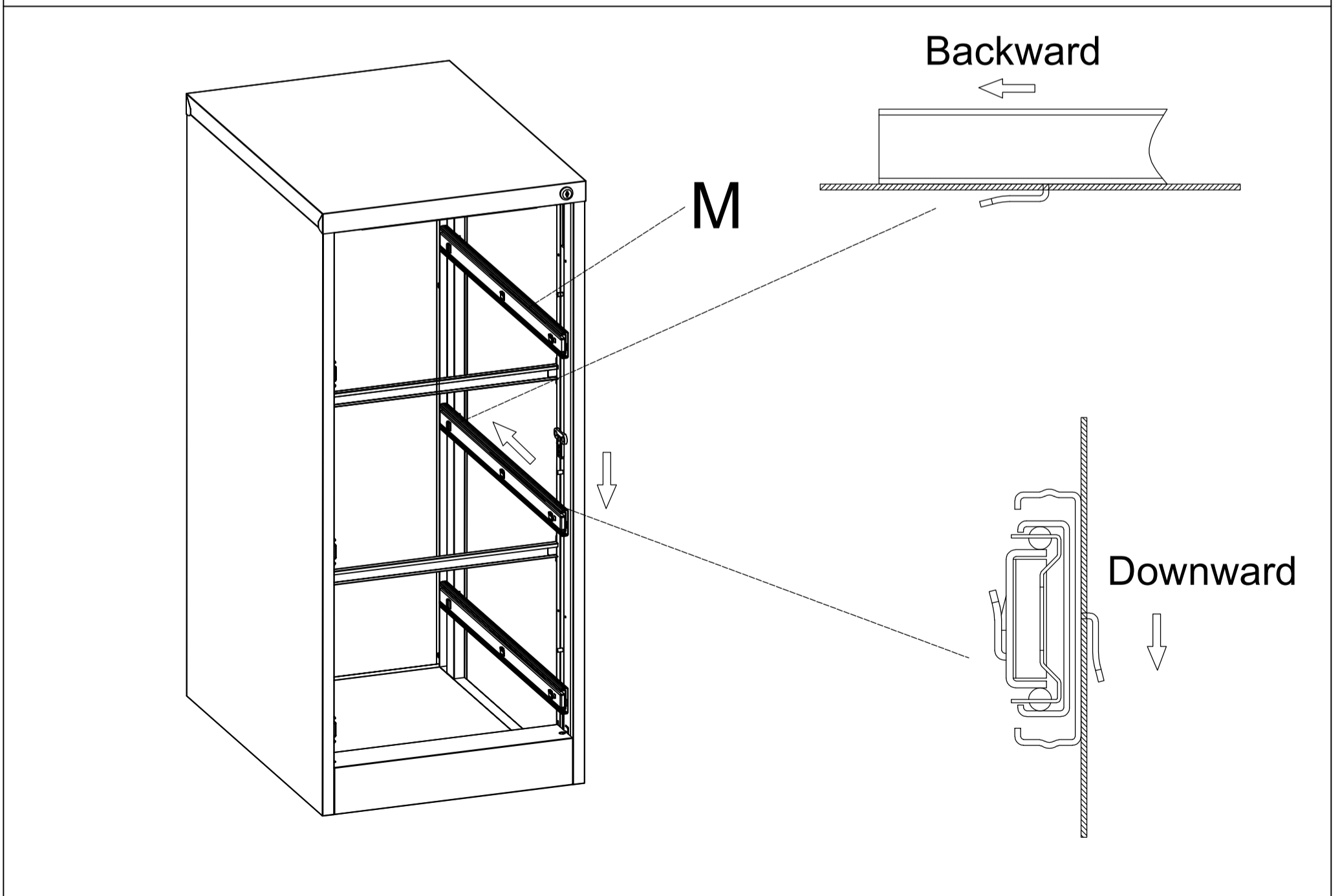
12



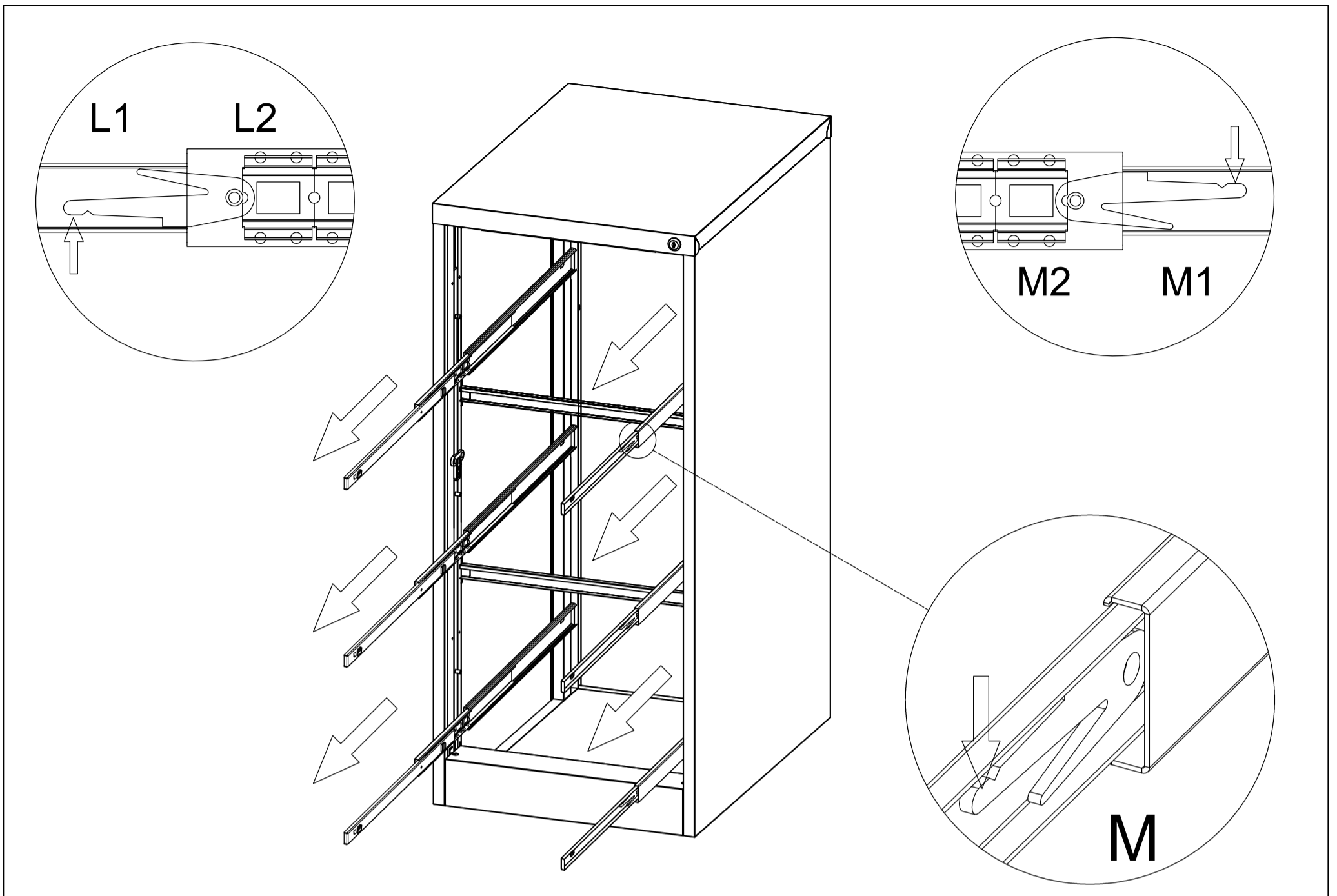
12. Right side rail M



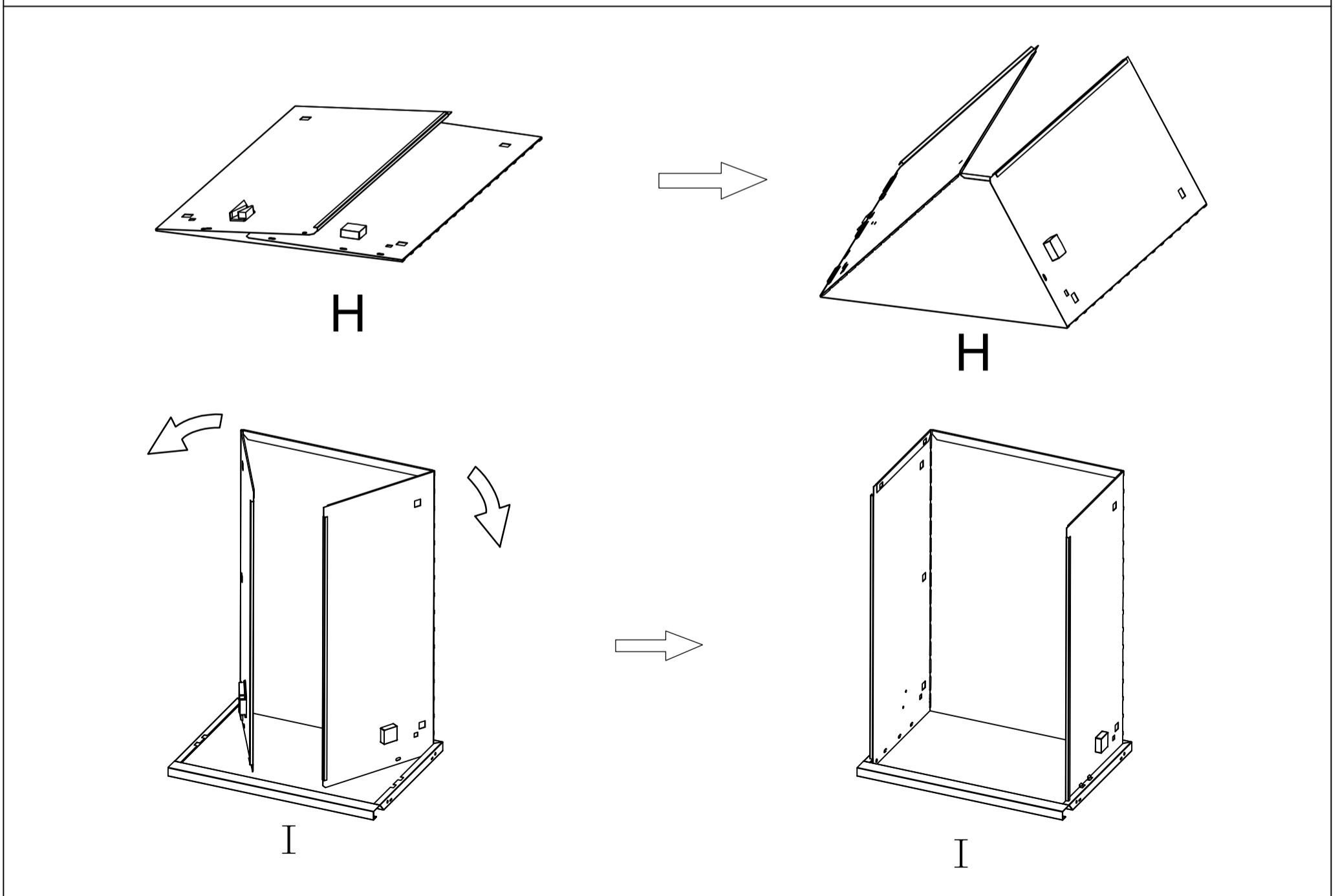
13. Install L



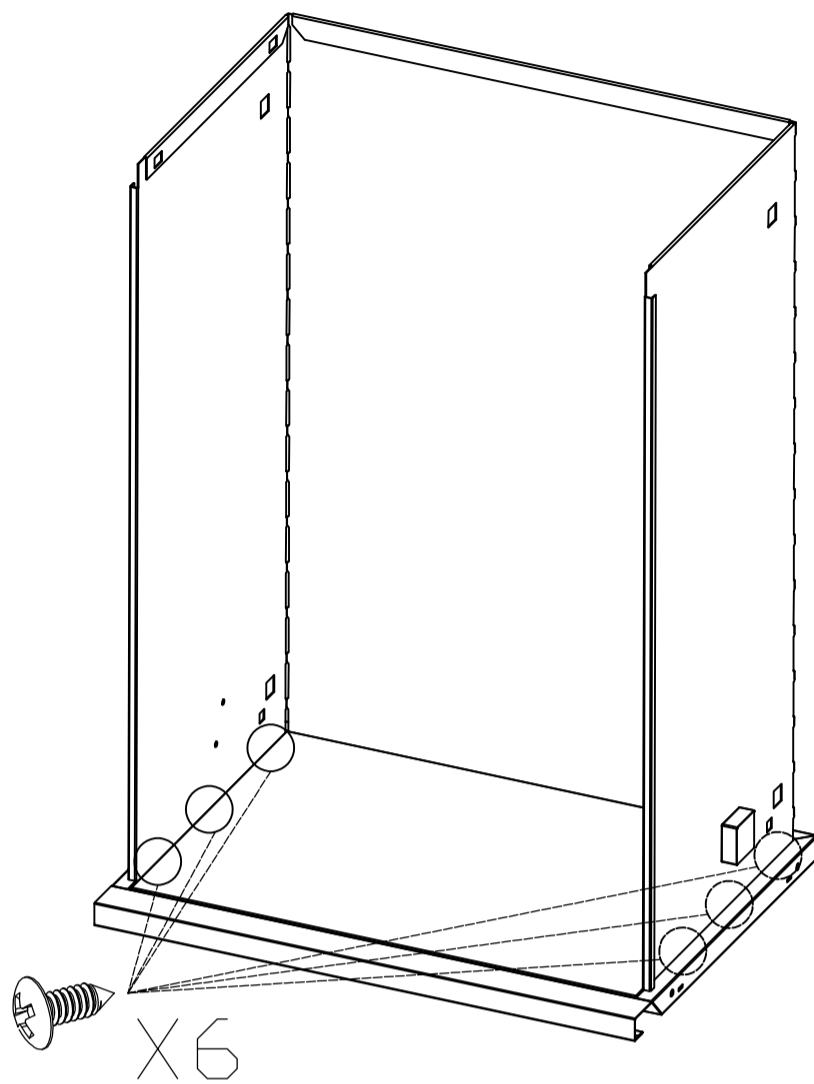
14. Install M



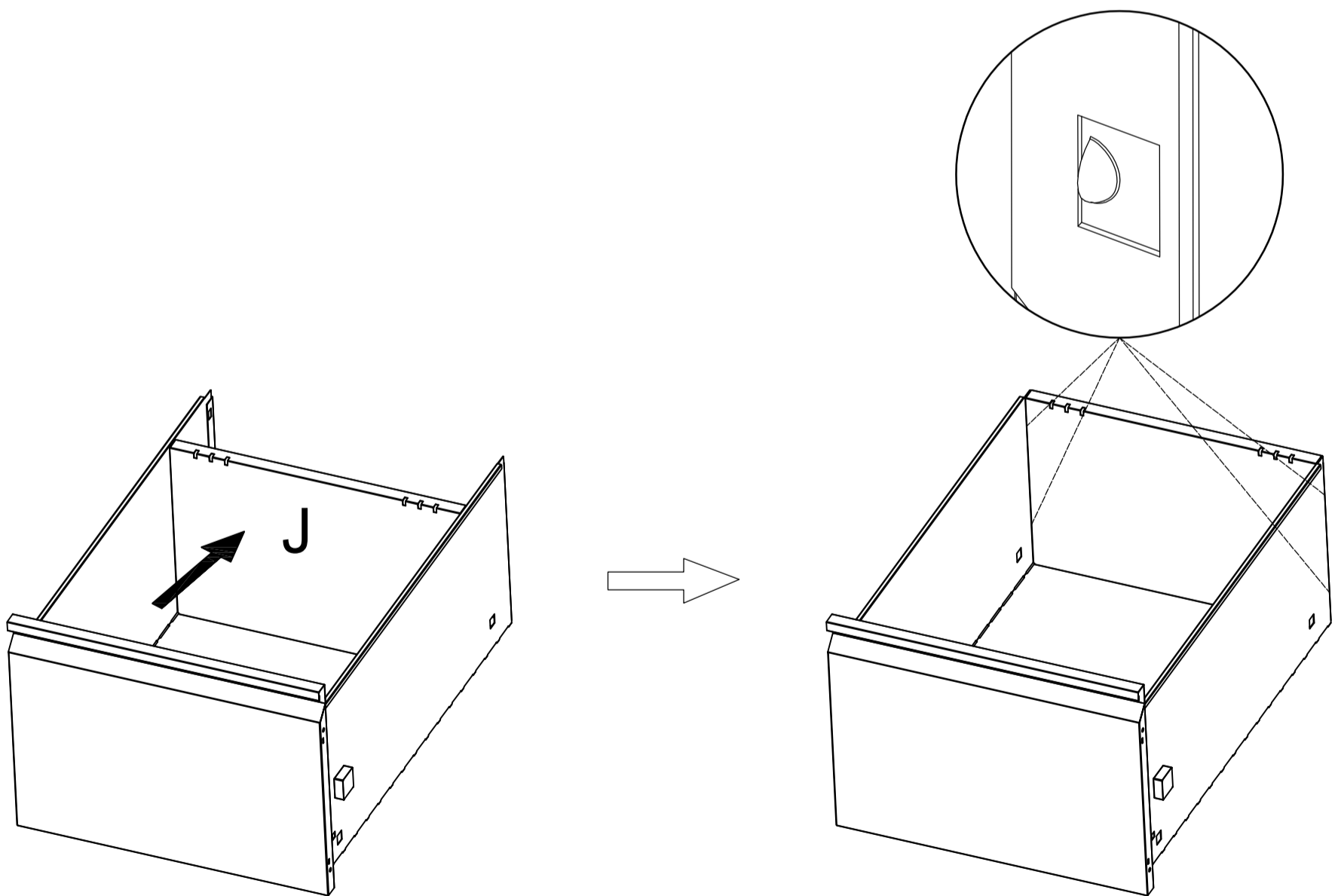
15. Divide the slide rail into L1(M1) and L2(M2)



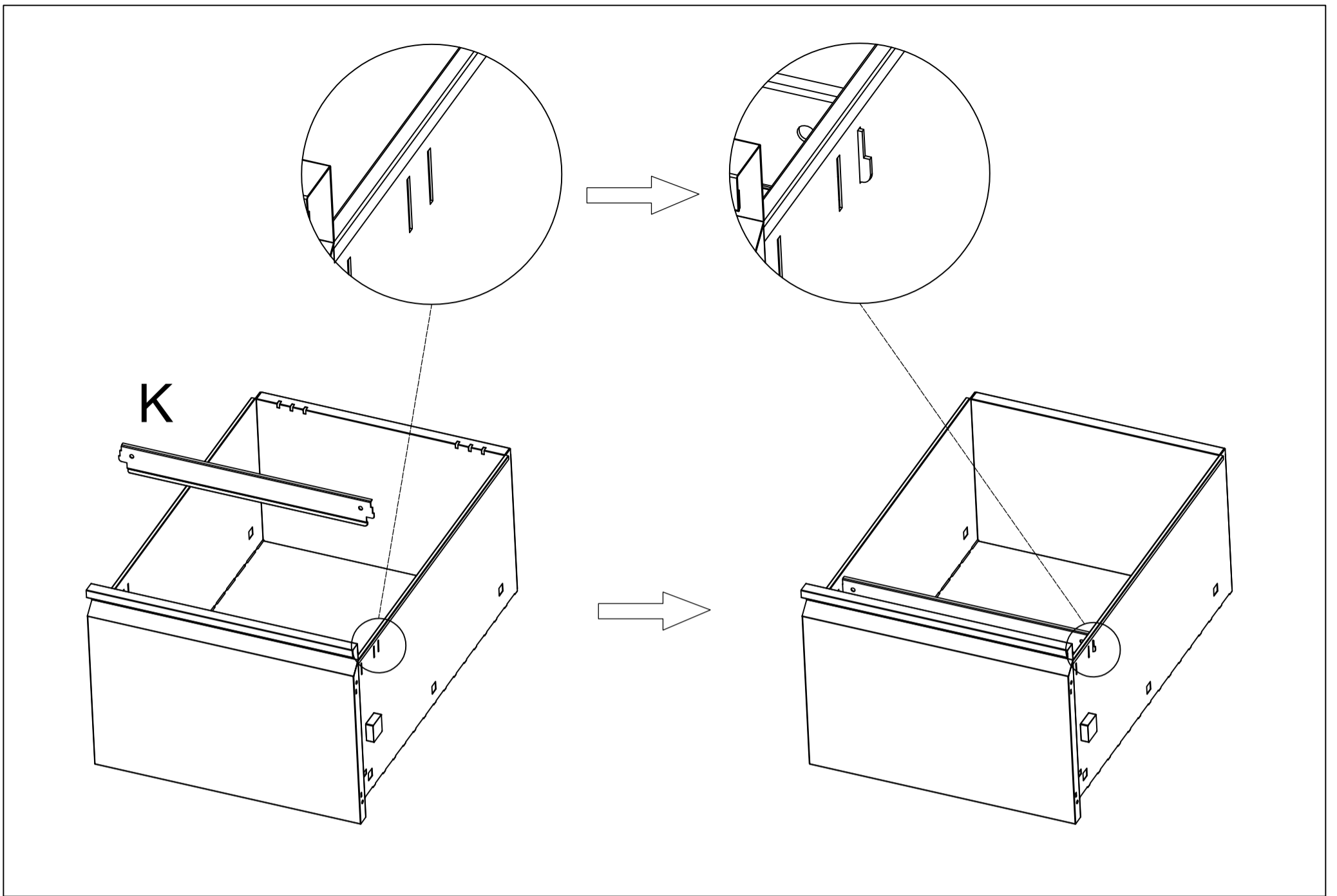
16. Assemble H and I,



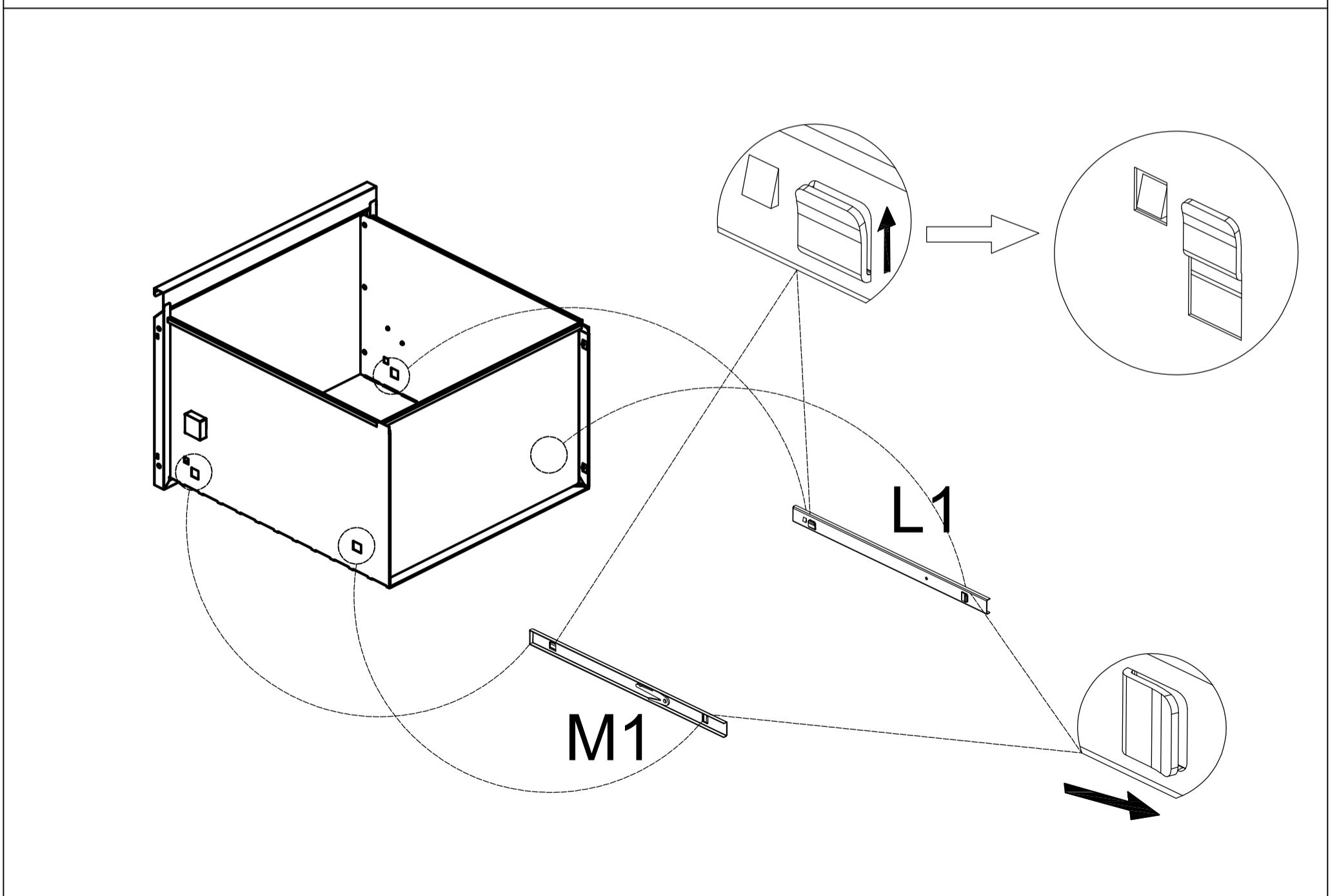
17. Secure with screw Z



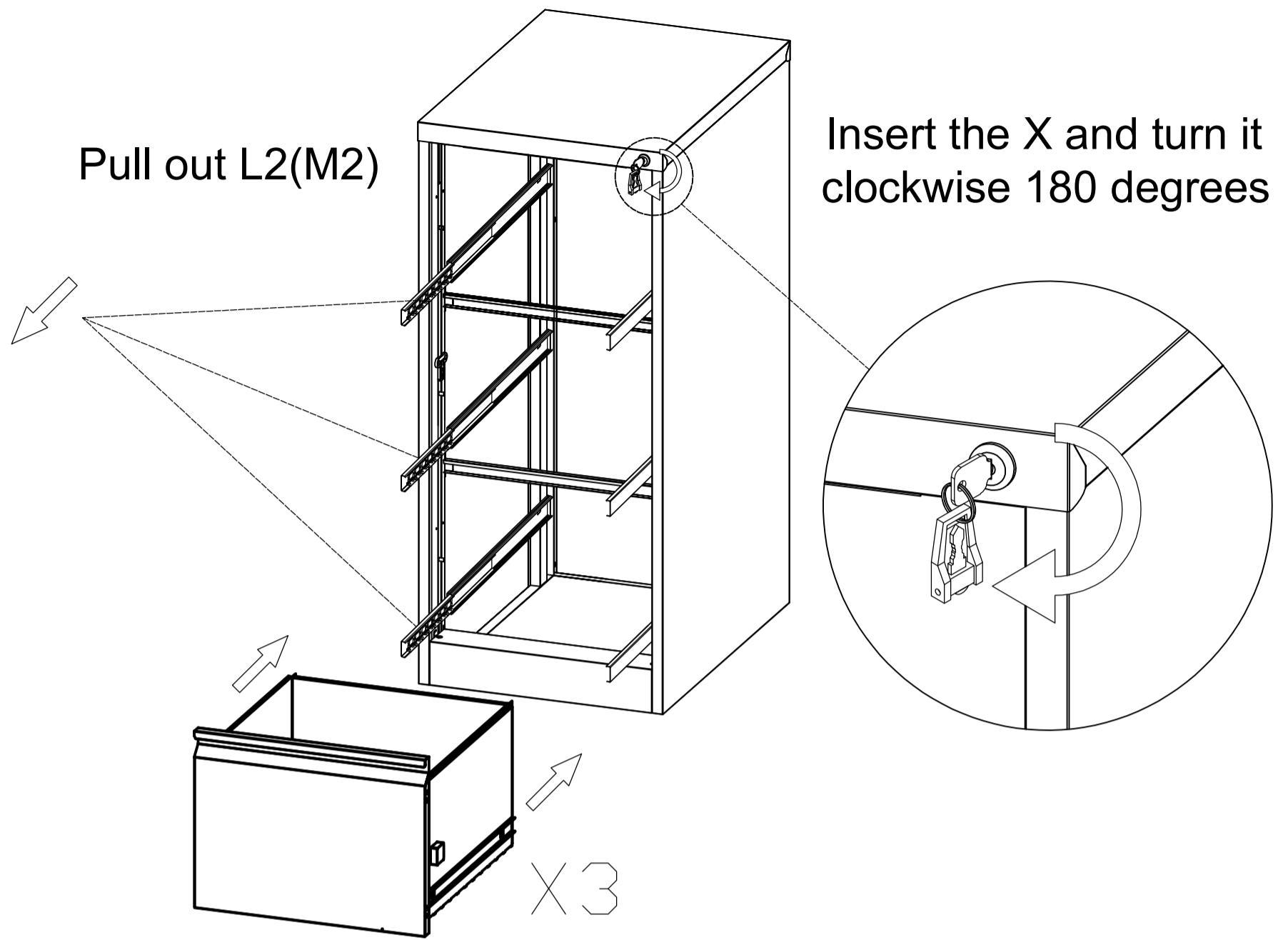
18. Install J



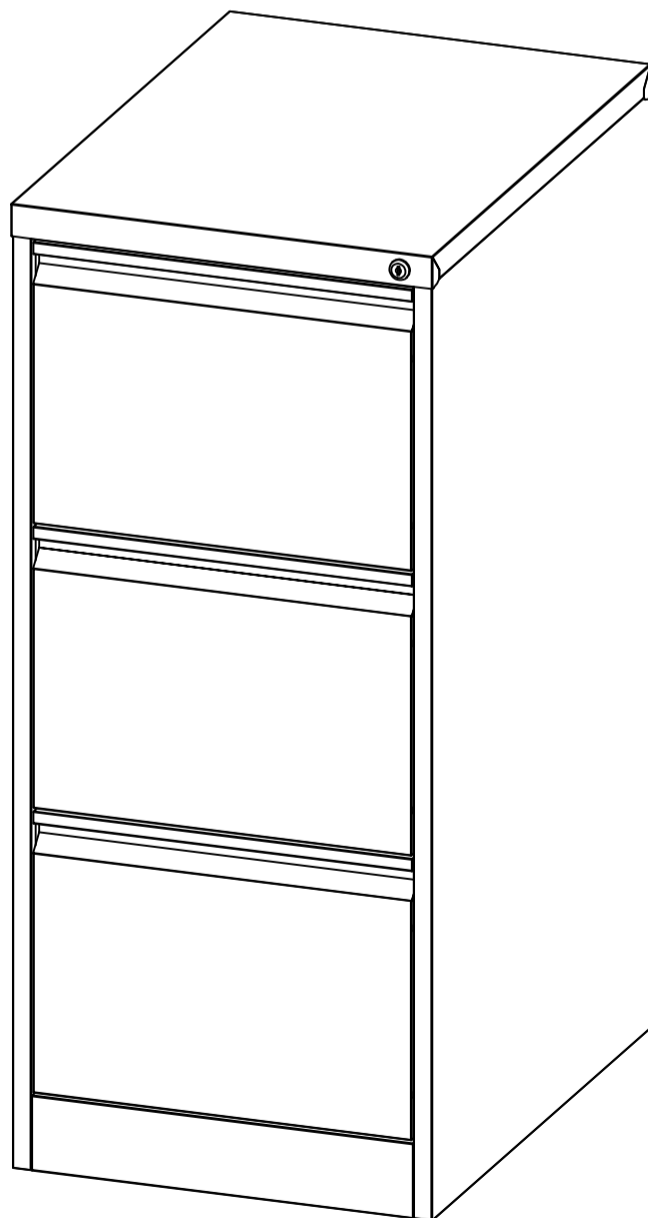
19. Install K



20. Install L1 and M1



21. Install drawer



22. Assembly completed