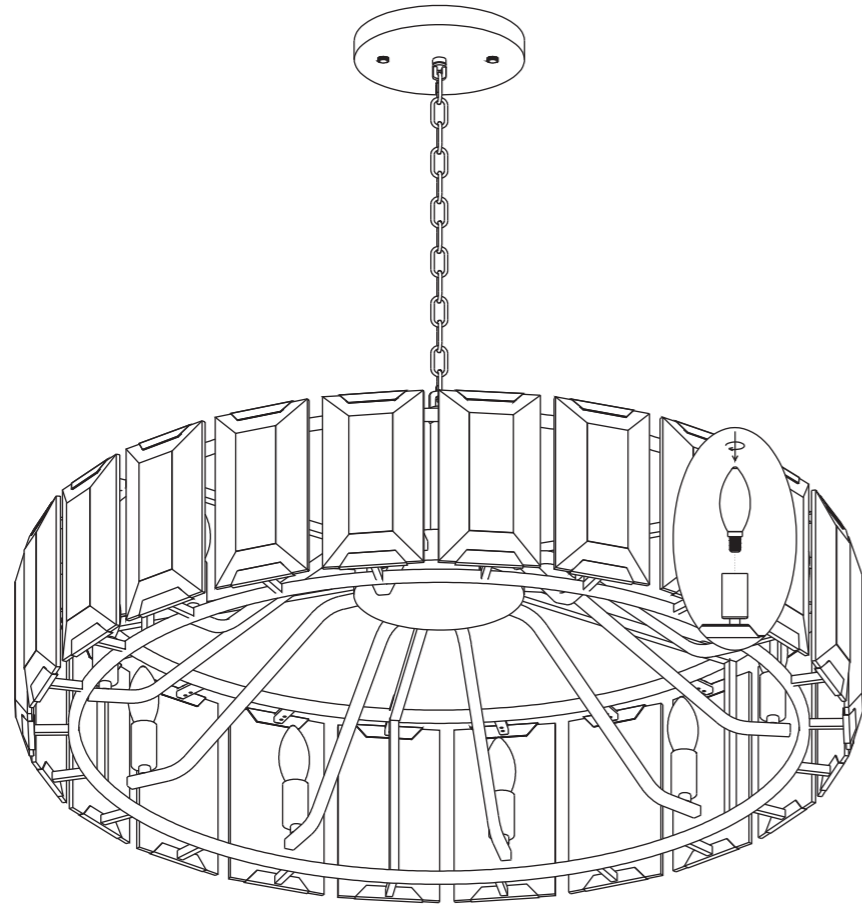


## 7. Install the Bulbs



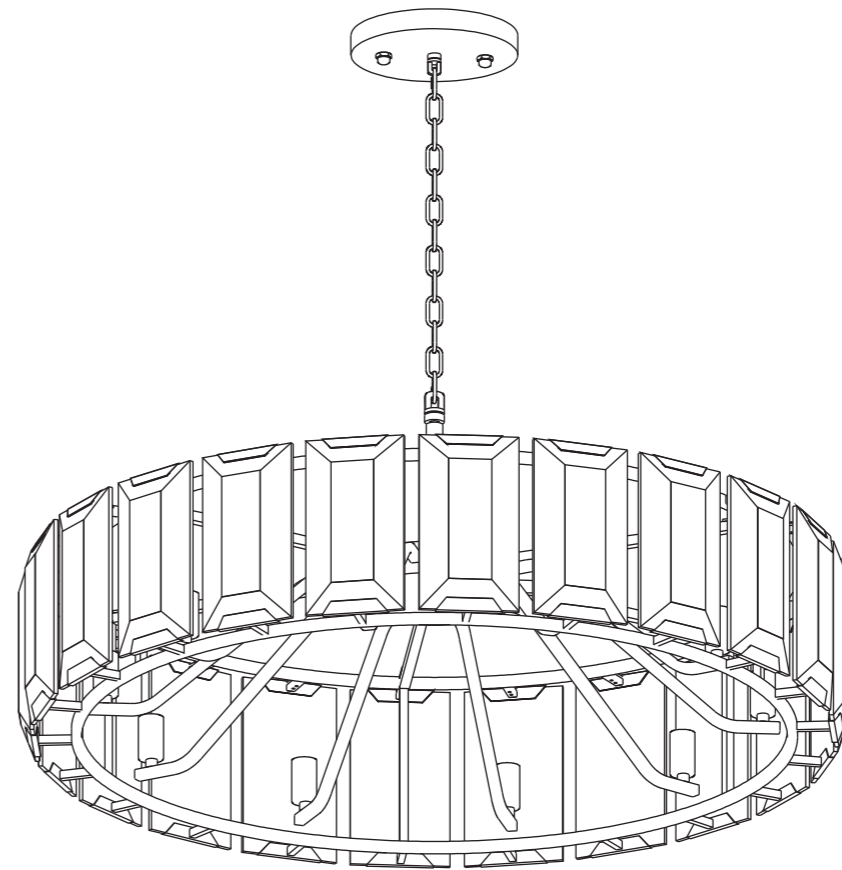
E12 x 10, Max 40W each, LED recommended (not included).

**Note:**  
To achieve dimming functionality, you need to use dimmable bulbs and a dimmer switch.

# INSTALLATION MANUAL

## CHANDELIER

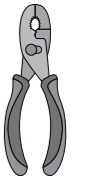
Model No.: HLP327C-10A



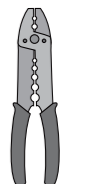
## TOOLS REQUIRED



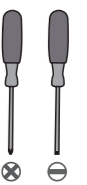
Ladder



Pliers



Wire  
Strippers

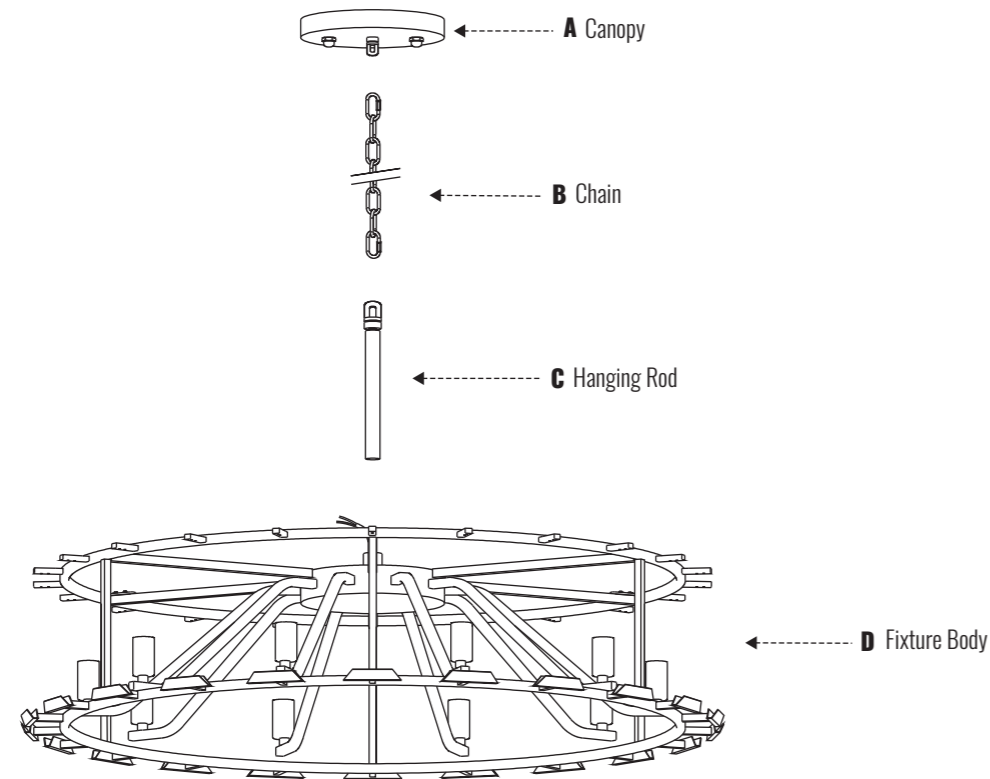


Screwdrivers











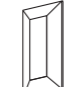





Power Drill

## PACKING LIST



## INSTALLATION KIT

<b>AA</b>	 Mounting Bracket	1×	<b>BB</b>	 Ground Screw	1×	<b>CC</b>	 Wire Nut	3×	<b>DD</b>	 Outlet Box Screw	2×
<b>EE</b>	 Hex Bolt	2×	<b>FF</b>	 Hex Nut	4×	<b>GG</b>	 Knurled Nut	2×	<b>HH</b>	 Anchor Bolt	2×
<b>II</b>	 Crystal Clip	22×	<b>JJ</b>	 Screw ①	22×	<b>KK</b>	 Crystal	22×	<b>LL</b>	 Screw ②	44×
<b>MM</b>	 Quick Link	2×	<b>NN</b>	 Gloves	1×						

### Note:

1. Some extra hardware may be included. The quantity listed above is the number required for installation.
2. BB/EE/FF are pre-installed on the Mounting Bracket (AA).
3. AA/GG are pre-installed on the Canopy (A).
4. MM is pre-installed on the Chain (B).

## INSTALLATION

### Ceiling Requirements for Installation:

The fixture weighs **36 kg (79.4 lbs)**, please ensure your ceiling can support this weight.

#### Concrete Ceiling:

- If your ceiling is concrete, follow the installation instructions provided in the manual and use expansion bolts for direct installation.

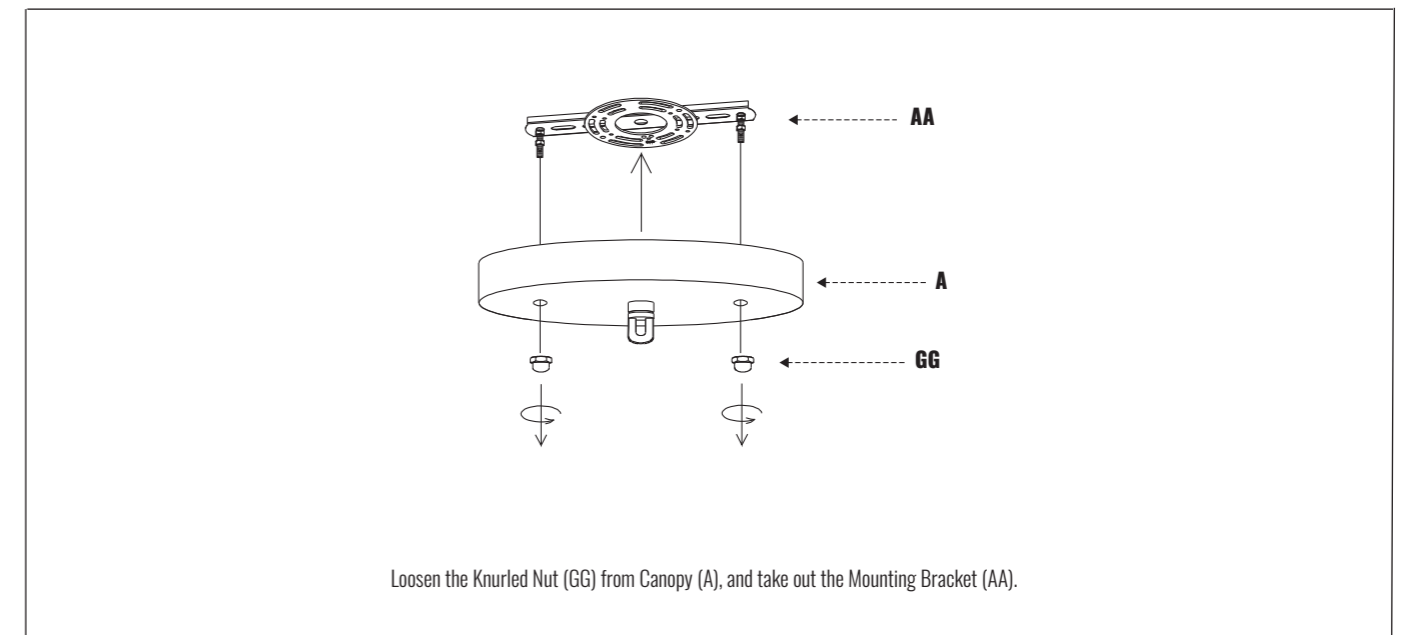
#### Wood Beam Ceiling:

- Employ a stud finder to accurately locate the beams and determine their depth.
- The fixture must be mounted directly to a main beam or installed with the help of a heavy-duty chandelier mounting bracket.

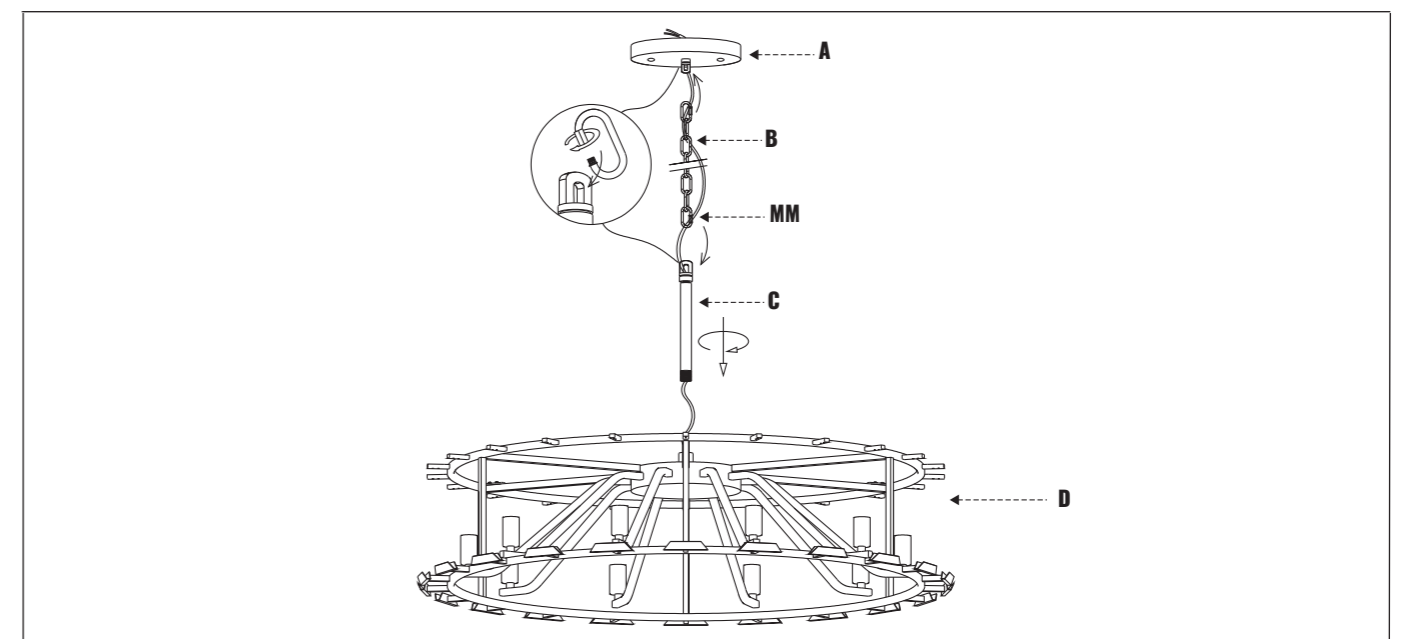
#### Note:

For 2x6 inch beams: Although a 2x6 beam can theoretically support 36 kg (79.4 lbs), it's recommended to add extra reinforcement, such as blocking (cross beam support).  
For 2x8 inch beams or larger (2x8, 2x10, 2x12): These beams are suitable for chandelier installation and can safely support a 36 kg (79.4 lbs) load.

### 1. Remove the Mounting Bracket



### 2. Install the Lamp Body

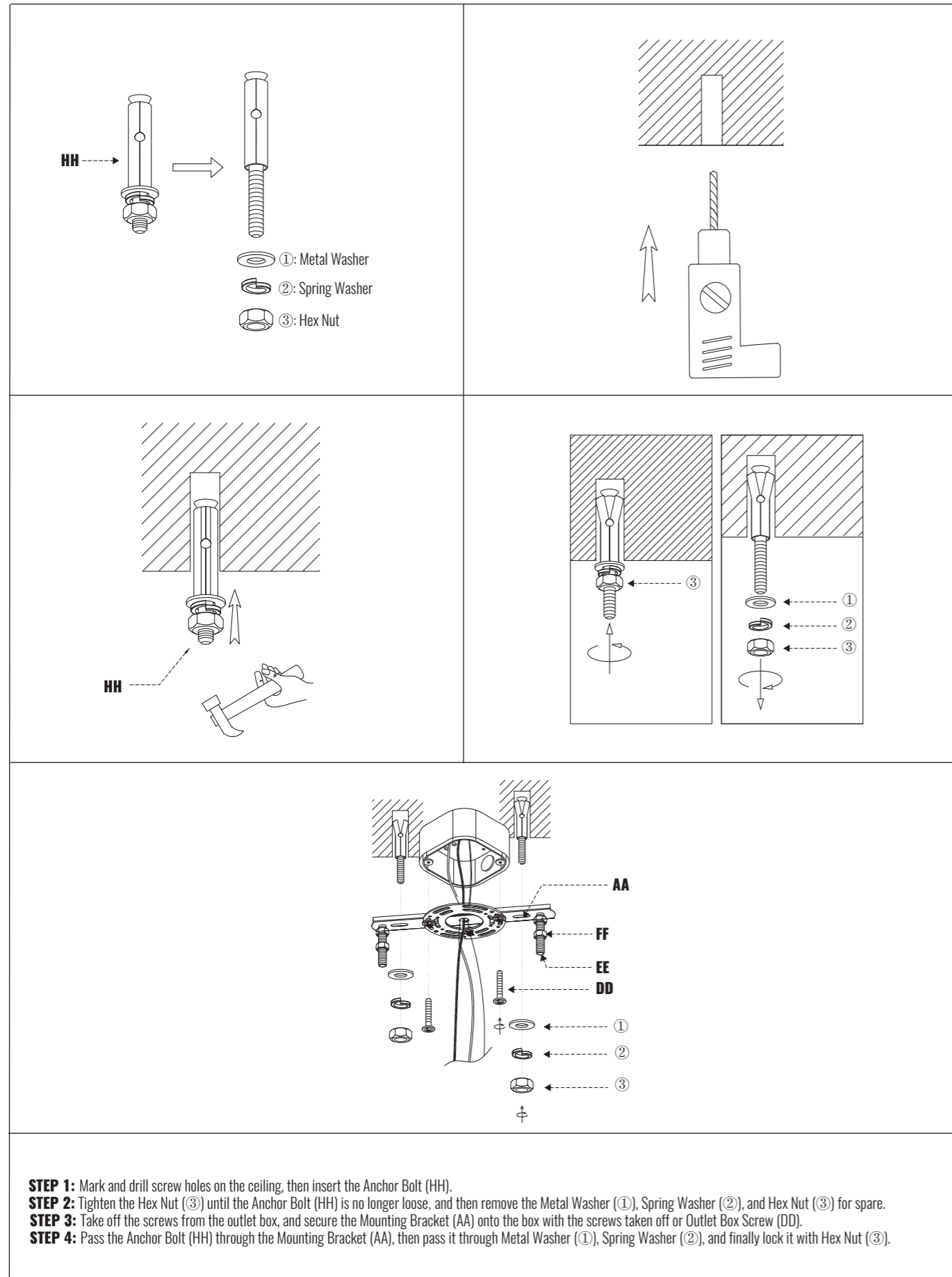


**STEP 1:** Pass the power cord of the Fixture Body (D) through the Hanging Rod (C), Chain (B), and Canopy (A) in turn.

**STEP 2:** Tighten the Hanging Rod (C) onto the Fixture Body (D), and tighten the screws on Fixture Body (D).

**STEP 3:** Open the Quick Link (MM) on Chain (B), then connect the Quick Link (MM) on both ends of Chain (B) to the Canopy (A) and the fixture loop of the Hanging Rod (C), and finally lock the quick link tightly.

### 3. Install the Mounting Bracket



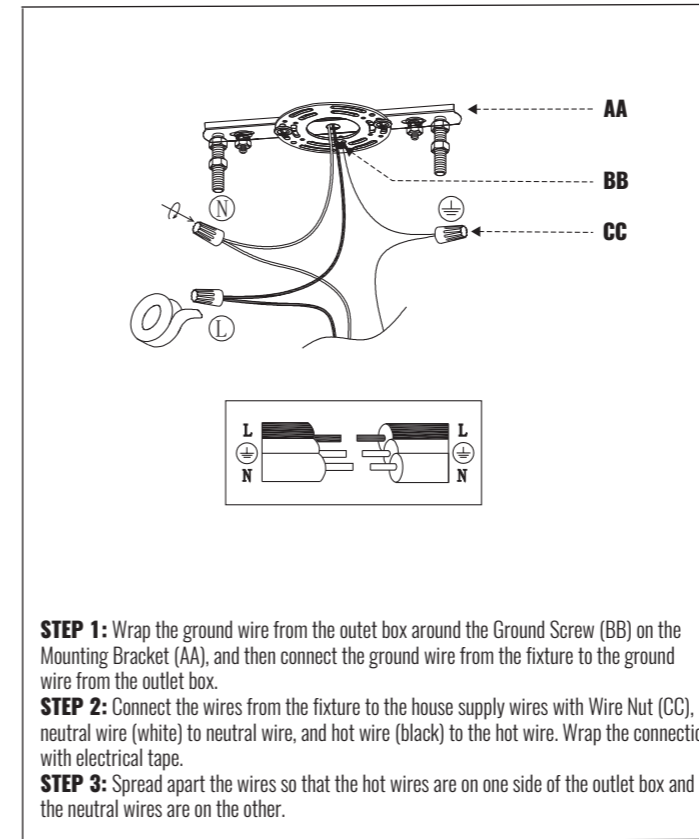
**STEP 1:** Mark and drill screw holes on the ceiling, then insert the Anchor Bolt (HH).

**STEP 2:** Tighten the Hex Nut (3) until the Anchor Bolt (HH) is no longer loose, and then remove the Metal Washer (1), Spring Washer (2), and Hex Nut (3) for spare.

**STEP 3:** Take off the screws from the outlet box, and secure the Mounting Bracket (AA) onto the box with the screws taken off or Outlet Box Screw (DD).

**STEP 4:** Pass the Anchor Bolt (HH) through the Mounting Bracket (AA), then pass it through Metal Washer (1), Spring Washer (2), and finally lock it with Hex Nut (3).

### 4. Connect the Wire

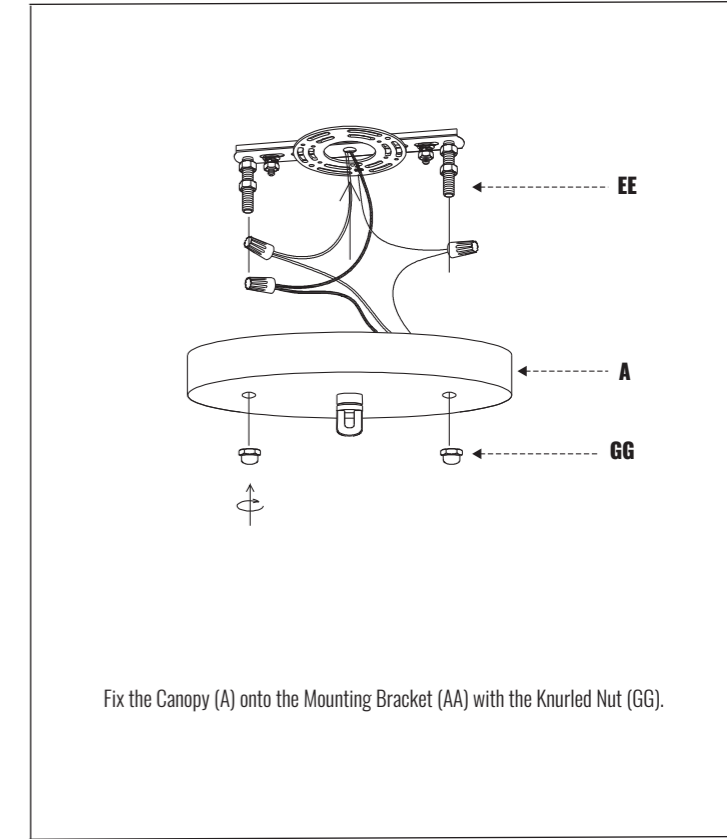


**STEP 1:** Wrap the ground wire from the outlet box around the Ground Screw (BB) on the Mounting Bracket (AA), and then connect the ground wire from the fixture to the ground wire from the outlet box.

**STEP 2:** Connect the wires from the fixture to the house supply wires with Wire Nut (CC), neutral wire (white) to neutral wire, and hot wire (black) to the hot wire. Wrap the connection with electrical tape.

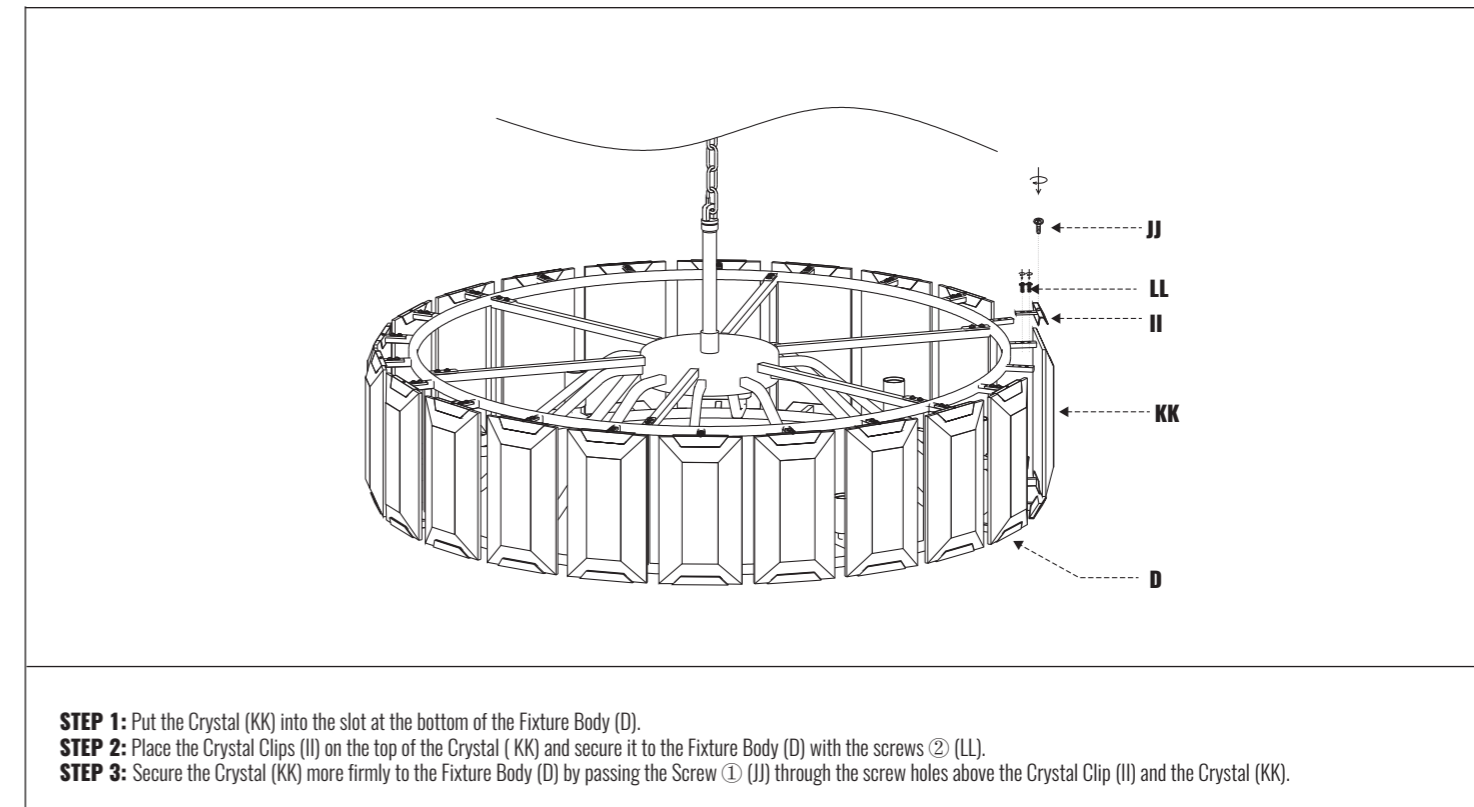
**STEP 3:** Spread apart the wires so that the hot wires are on one side of the outlet box and the neutral wires are on the other.

### 5. Fix the Canopy



Fix the Canopy (A) onto the Mounting Bracket (AA) with the Knurled Nut (GG).

### 6. Install the Crystal



**STEP 1:** Put the Crystal (KK) into the slot at the bottom of the Fixture Body (D).

**STEP 2:** Place the Crystal Clips (II) on the top of the Crystal (KK) and secure it to the Fixture Body (D) with the screws (LL).

**STEP 3:** Secure the Crystal (KK) more firmly to the Fixture Body (D) by passing the Screw (JJ) through the screw holes above the Crystal Clip (II) and the Crystal (KK).