

ASSEMBLY INSTRUCTIONS

Description: Porter Cocktail Table






Important safety instructions:

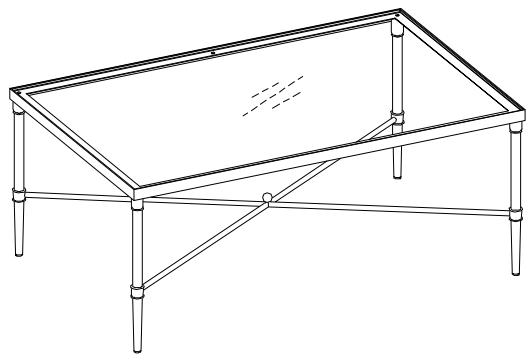
- Please read carefully all instructions before assembly.
- For your safety and ease, assembly by two or more adults is recommended.
- Keep instructions for future use.

Pre-assembly:


- Do not discard any content until assembly is complete to avoid accidentally discarding small parts or hardware.
- Take out all parts and hardware from box.

Parts List

Item	Description	QTY
P1	Top Frame 	1
P2	Posts 	4
P3	"X" stretcher 	1
P4	Feet 	4
P5	Top Glass 	1



Hardware List

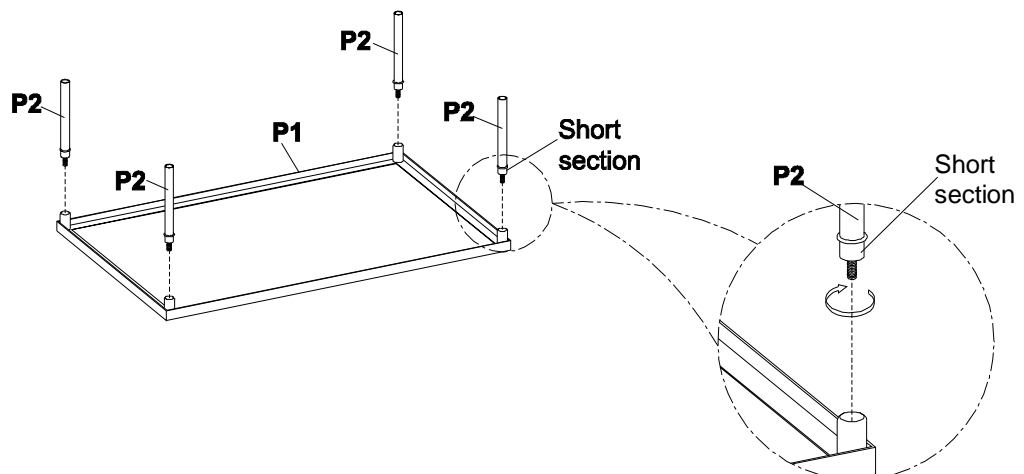
Item	Description	QTY
H1	Clear Plastic Pad 	6

DISCLAIMER:

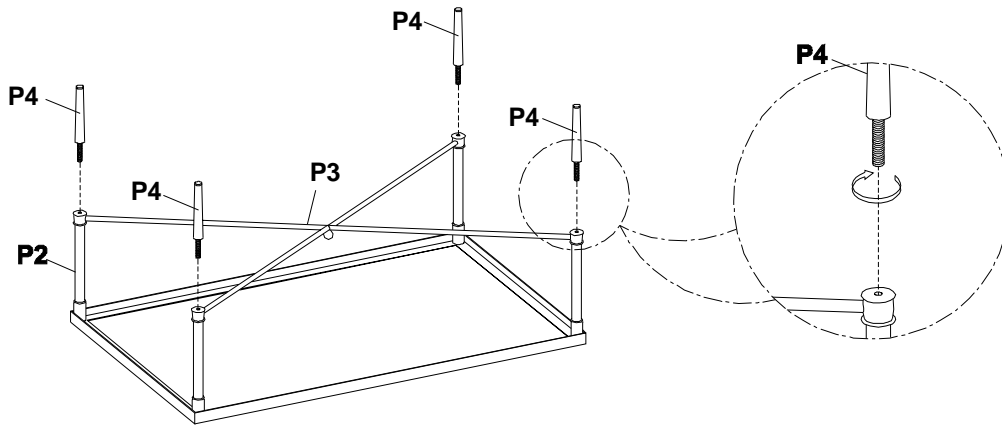
WHEN PROPERLY ASSEMBLED, THIS ITEM IS SAFE FOR INTENDED USE. SELLER IS NOT LIABLE FOR ANY DAMAGES RESULTING FROM ITEM BEING IMPROPERLY ASSEMBLED AFTER PURCHASE.

Assembly Procedures:

Step 1. Assemble the table on a flat, soft surface such as a carpet or cloth to prevent scratching the finish. Attach each post (P2) to the bottom of top frame (P1). Note: Make sure short section on the top of post (P2) is attached to the bottom of top frame (P1) as shown below. Securely tighten the posts (P2).



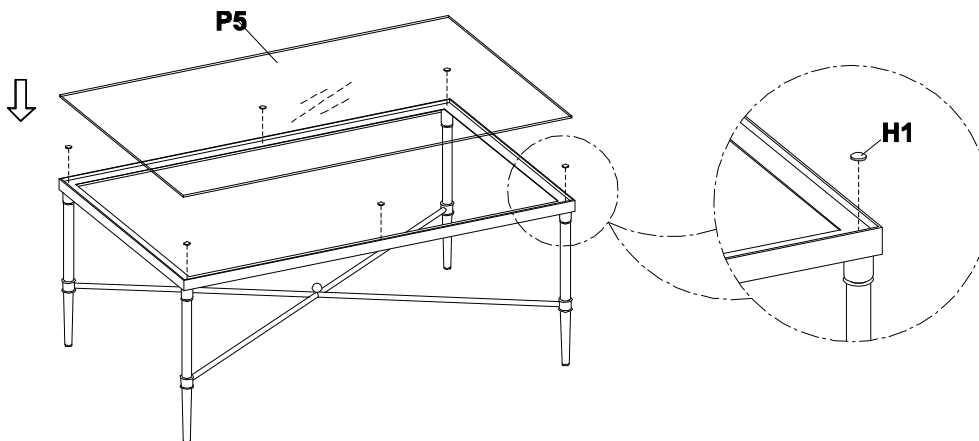
Step 2. Attach each foot (P4) to the post (P2) through "X" stretcher (P3) as shown below. Securely tighten the feet (P4).



Step 3.

- 1) Turn the assembled table to an upright position.
- 2) Place the clear plastic pad (H1) on the top frame (P1) as shown below.
- 3) Gently lay the glass (P5) on the table top. Assembly is complete.

(H1)x6 **Clear Plastic Pad** ○



Caution: Failure to follow these instructions may cause the bolts to misalign during assembly.

ADDITIONAL NOTE ABOUT SAFETY: BOLTS MAY LOOSEN DURING NORMAL EVERYDAY USE. THEY SHOULD BE PERIODICALLY INSPECTED AND RE-TIGHTENED TO PREVENT DAMAGE OR INJURY. ALWAYS CHECK TO ENSURE THAT ALL HARDWARE IS KEPT TIGHTENED.

Thank you for your purchase