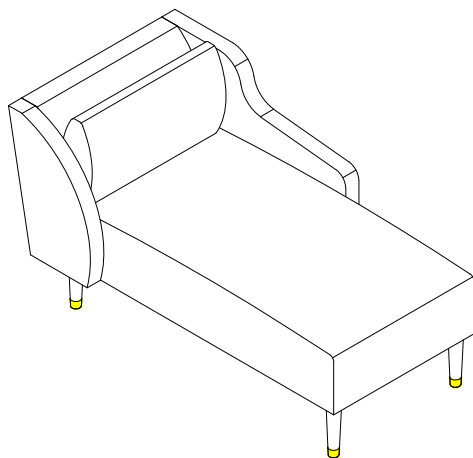


① ASSEMBLY INSTRUCTION



Components/QTY

Components/QTY

Components/QTY

A 2PCS



B 2PCS



C 2PCS



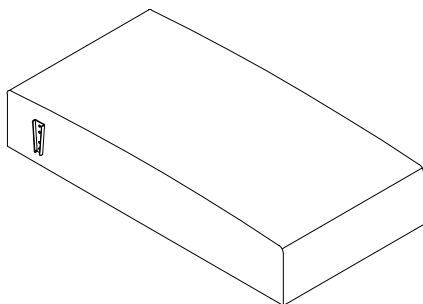
D 2PCS



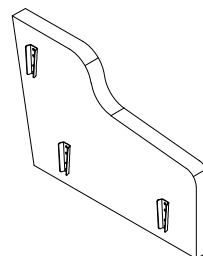
E 1PC



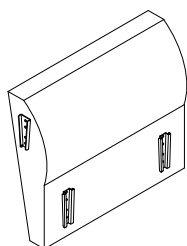
① 1PC



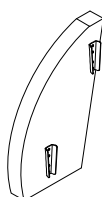
② 1PC



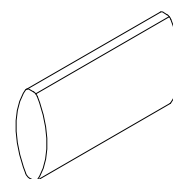
③ 1PC



④ 1PC

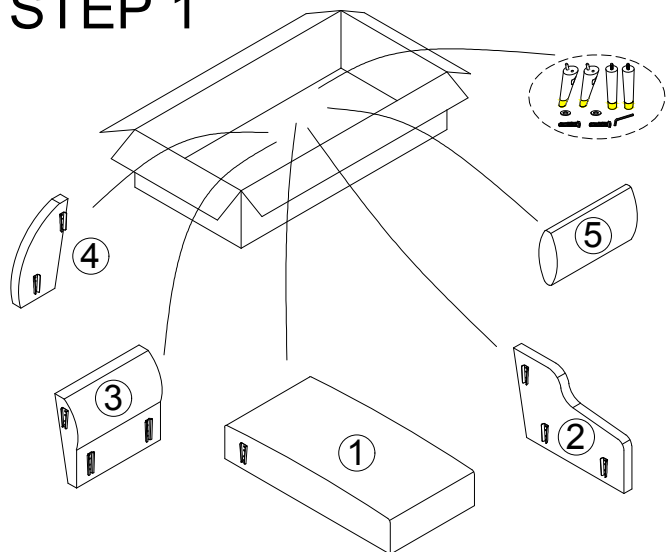


⑤ 1PC

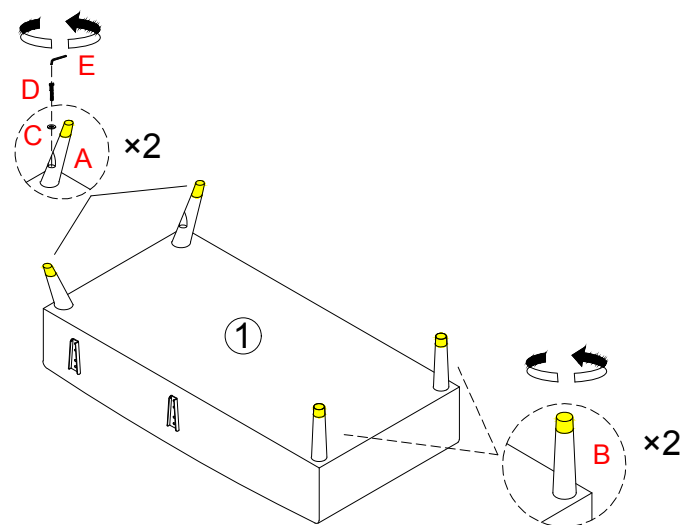


② ASSEMBLY INSTRUCTION

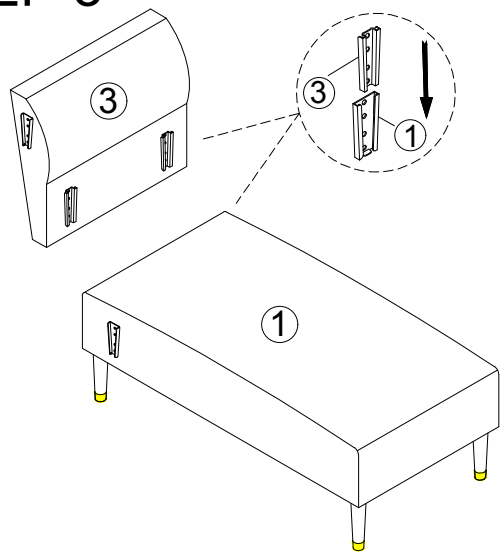
STEP 1



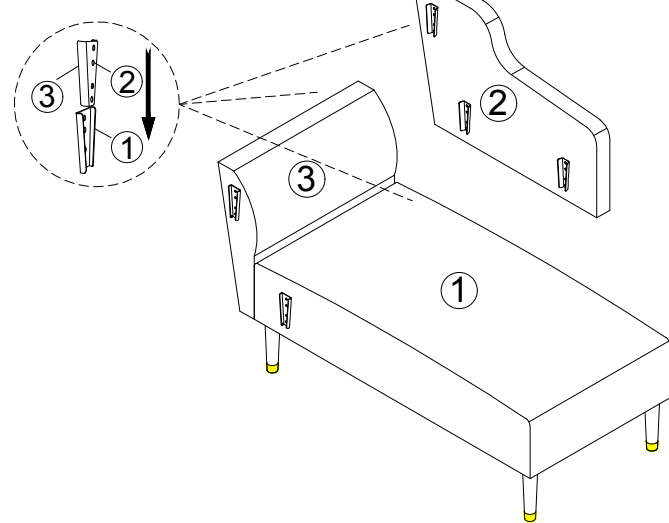
STEP 2



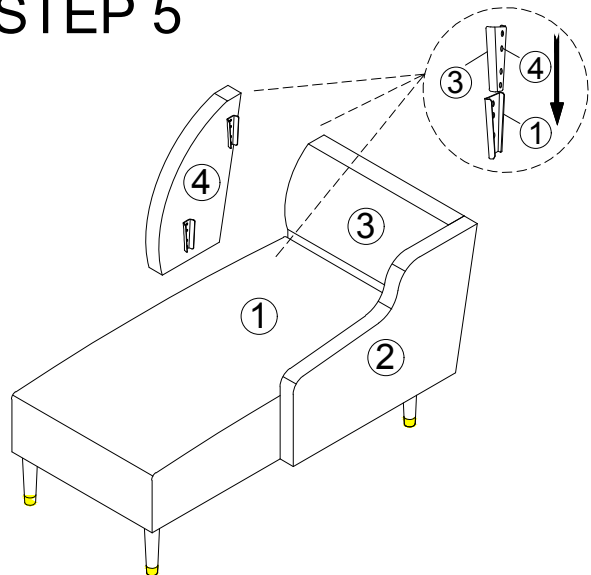
STEP 3



STEP 4



STEP 5



STEP 6

