

ASSEMBLY INSTRUCTIONS



Fine Furniture for every stage of life

LOVESEAT

REVISION 0:06/15/2019
REVISION 1:05/20/2020
REVISION 2:07/28/2022

ASSEMBLY INSTRUCTIONS

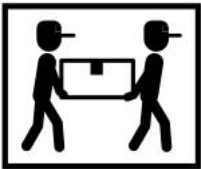
ASSEMBLY TIPS:

- 1.Remove hardware from box and sort by size.
- 2.Please check to see that all hardware and parts are present prior to start of assembly.
- 3.Please follow attached instruction in the same sequence as numbered to assure fast & easy assembly.



WARNING!

- 1.Don't attempt to repair or modify parts that are broken or defective. Please contact the store immediately.
- 2.This product is for home use only and not intended for commercial establishment.

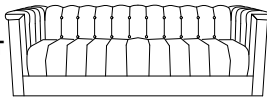


ASSEMBLY TIME

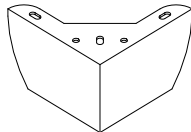
5 MINUTES

PARTS IDENTIFICATION

A LOVESEAT 1 PC



B LEGS 4 PCS



HARDWARE IDENTIFICATION

1 Allen wrench
5*23*73mm



1 PC

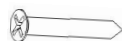
3

Washer M8
21*21*1mm



8 PCS

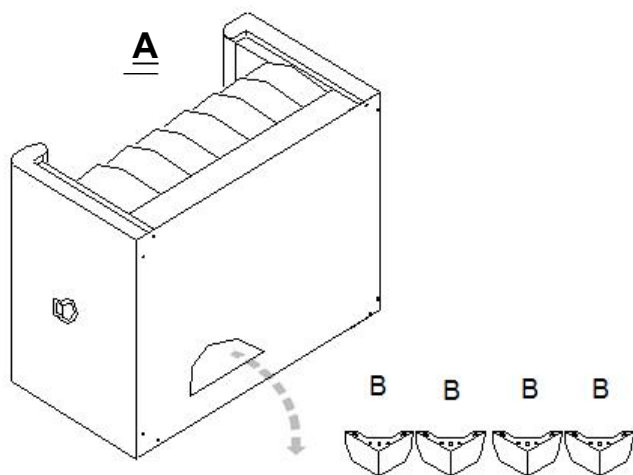
2 Wood screw
30*10*10mm



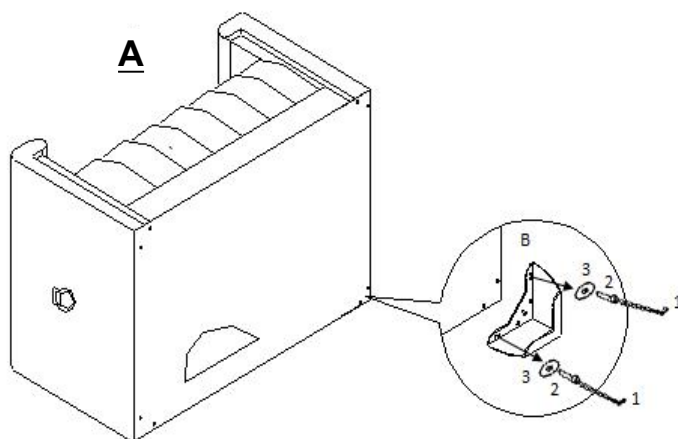
8 PCS

ASSEMBLY INSTRUCTIONS

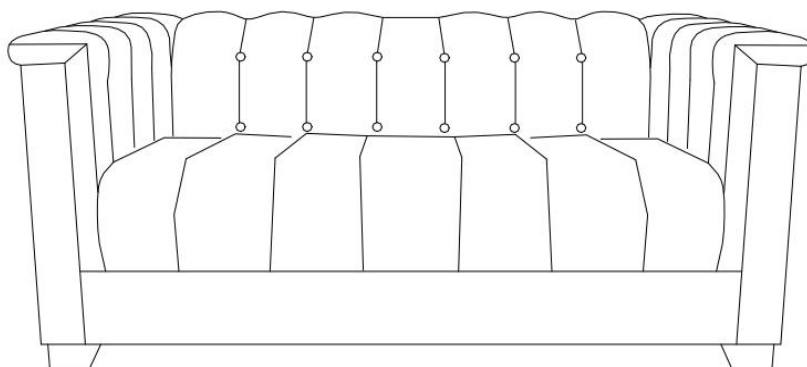
STEP 1

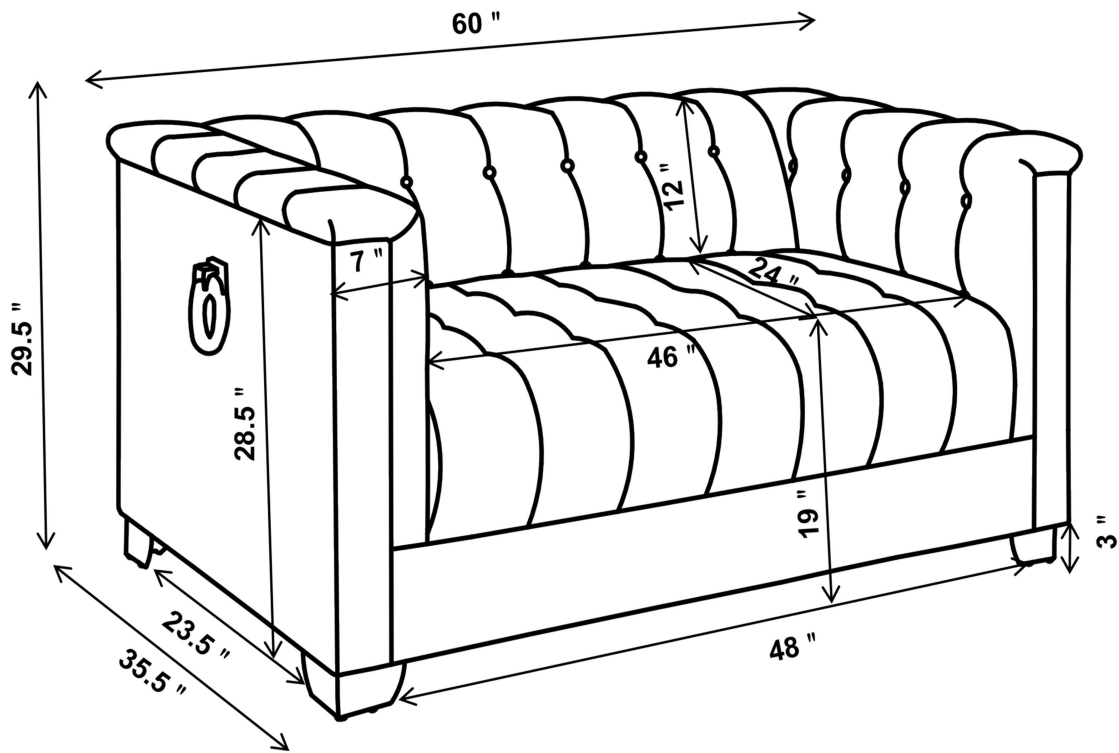


STEP 2



STEP 3





NOTE: Dimension tolerance $\pm 5\%$

