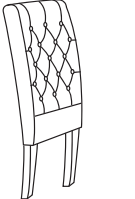








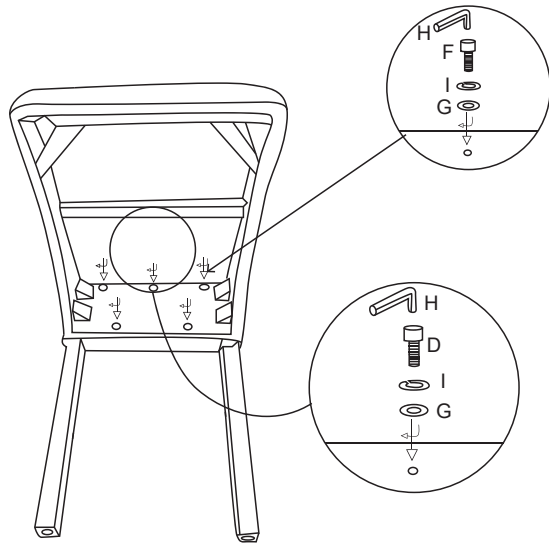


	Ax1 BACK	Bx1 SEAT	Cx2 LONE LEG	Dx1 SCROWS	Ex4 SCROWS	Fx4 SCROWS	Gx9 WASHER	Hx4 SPANNER	Ix9 SPRING
				 M8x55mm	 M8x60mm	 M8x80mm			

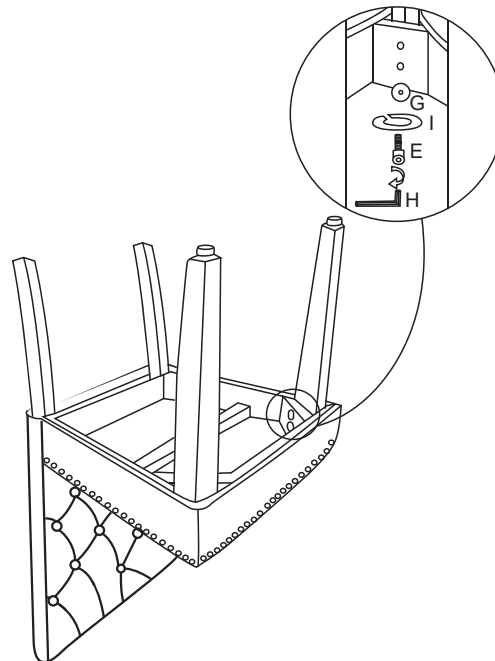
### STEP1



Loosely install the center bolt first, then loosely install both sides

### STEP2

Firm pressure is required to push legs into the leg pockets



Tighten all bolts properly on even ground

## ASSEMBLY INSTRUCTION

