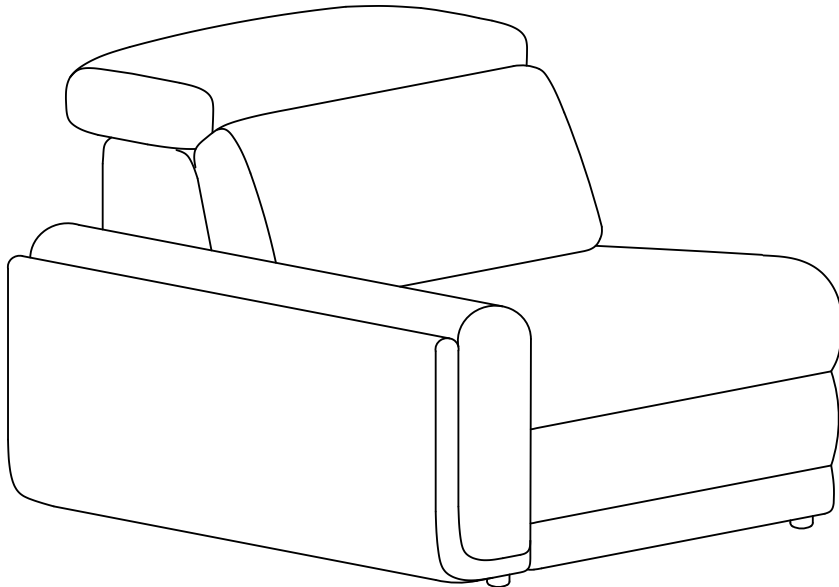


Power Reclining Sectionals-Left Recliner Assembly Instruction



Any question please feel free to contact us:
support@merluxyhome.com TEL:901-347-2181
We will provide further assistance within 24 hours.

Dear customers,

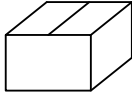
Thank you for purchasing our product. Please read this instruction manual carefully after receiving this product. It will help you assemble this product quickly, safely, and correctly. You can keep this manual for future reference.

Seller's Notice:





Our product is packed in separate boxes as shown below, and they might be shipped in different batches. Please wait until you received all the boxes .

The following is the list of components contained in each box.

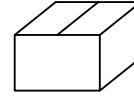
BOX1






Left Recliner

(A-1)		Seat Frame	x1
(A-2)		Headrest	x1
(1)		Sofa Leg	x5
(3)		Power Cord	x1

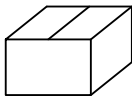
BOX2







Middle Seat (*2)

(B-1)		Seat Frame	x1
(B-2)		Headrest	x1
(1)		Sofa Leg	x4

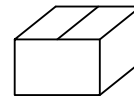
BOX3






Coner Seat

(C-1)		Seat Frame	x1
(C-2)		Headrest(L)	x1
(C-3)		Headrest(R)	x1
(2)		Sofa Leg	x5

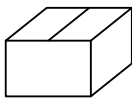
BOX4







Console

(D-1)		Seat Frame	x1
(1)		Seat Cushion	x4
(4)		Power Cord	x1

BOX5

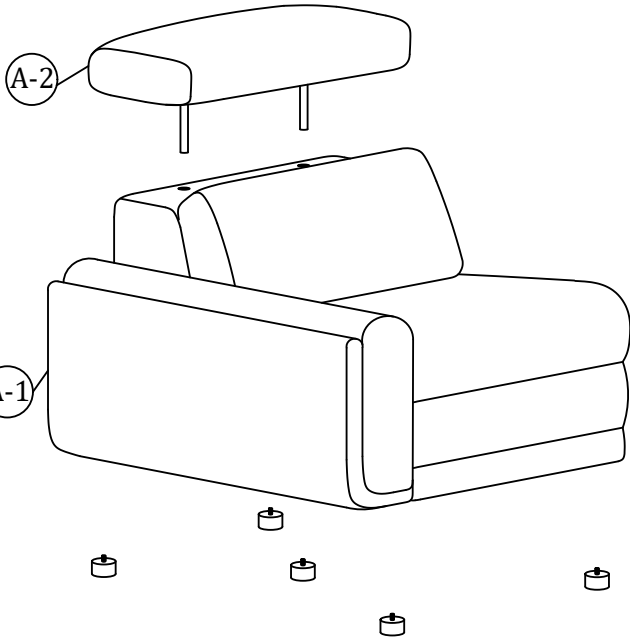
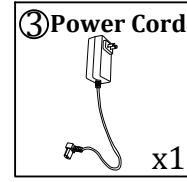
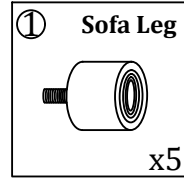


Right Recliner

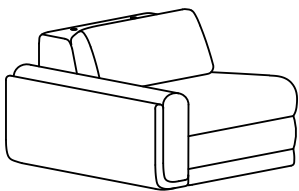
(E-1)		Seat Frame	x1
(E-2)		Headrest	x1
(1)		Sofa Leg	x5
(3)		Power Cord	x1

Assembly Instruction of Sofa

Structural accessories



Main structure accessories



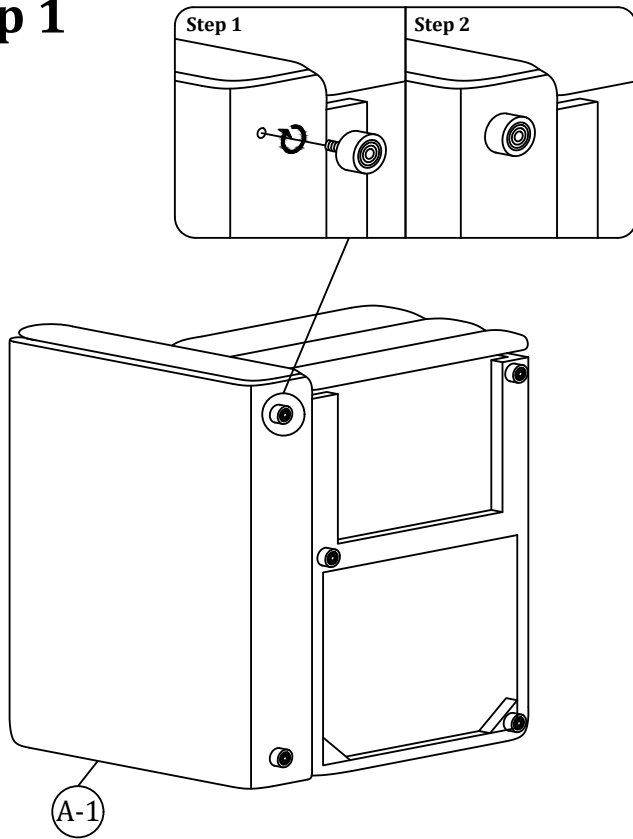
① A-1 1pc
Seat Frame



② A-2 1pc
Headrest

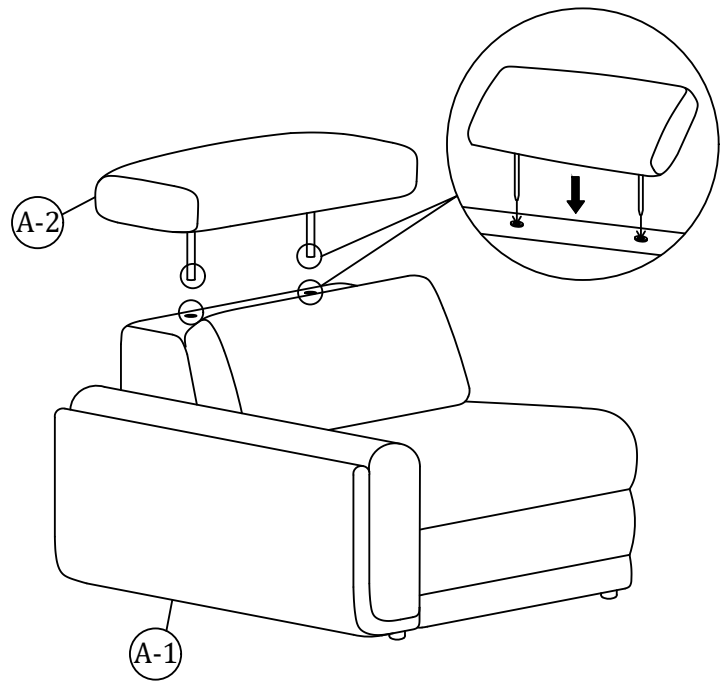
Assembly Instruction of Sofa

Step 1

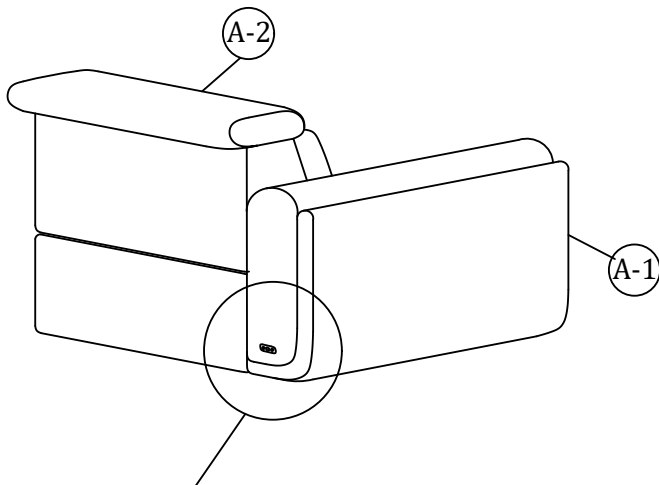


①  x5

Step 2

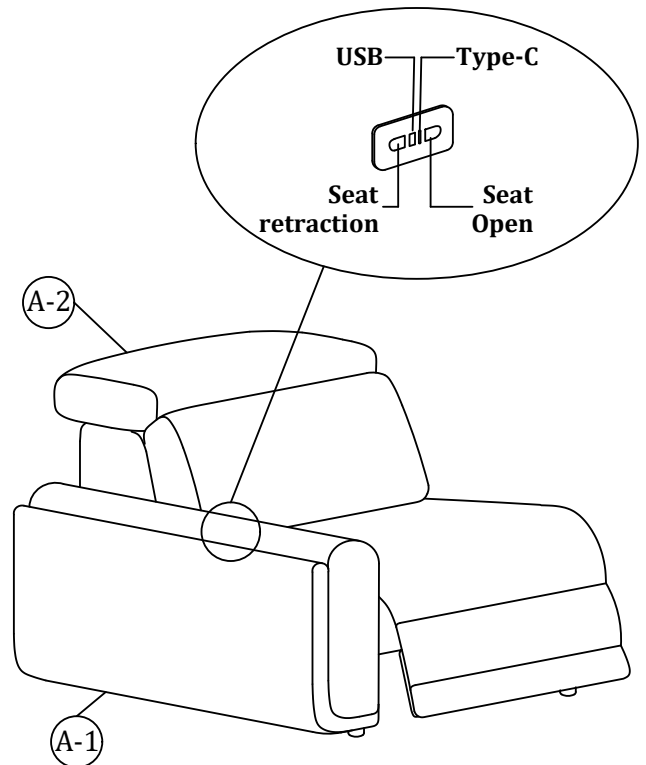


Step 3



③  x1

Step 4



Assembly Instruction of Sofa

Additional products need to be purchased before connecting.

Assemble from right to left.

